



US00D444125S

(12) **United States Design Patent**  
**Shy**

(10) **Patent No.:** **US D444,125 S**

(45) **Date of Patent:** **\*\* Jun. 26, 2001**

(54) **ELECTRIC POWER SUPPLY DEVICE**

(76) **Inventor:** **Jack Shy, 7F, No. 46, Pin Ho 10 Street, Chang Hua 500 (TW)**

(\*\*) **Term:** **14 Years**

(21) **Appl. No.:** **29/120,694**

(22) **Filed:** **Mar. 23, 2000**

(51) **LOC (7) Cl.** ..... **13-02**

(52) **U.S. Cl.** ..... **D13/110**

(58) **Field of Search** ..... D13/110, 123,  
D13/106, 107, 108; 320/105

(56) **References Cited**

**U.S. PATENT DOCUMENTS**

D. 334,560	*	4/1993	Wilson	.....	D13/106
D. 374,859	*	10/1996	Guay et al.	.....	D13/110
D. 408,782	*	4/1999	Poon	.....	D13/106
D. 413,098	*	8/1999	Dayan	.....	D13/110
D. 417,429	*	12/1999	Brezovar et al.	.....	D13/107
D. 425,019	*	5/2000	Zheng	.....	D13/110
D. 429,482	*	8/2000	Hussaini et al.	.....	D13/107

D. 432,985	*	10/2000	Wan	.....	D13/107
5,955,866	*	9/1999	Peng	.....	320/105
5,982,138	*	11/1999	Krieger	.....	320/105
6,002,235	*	12/1999	Clore	.....	320/105

\* cited by examiner

*Primary Examiner*—Joel Sincavage

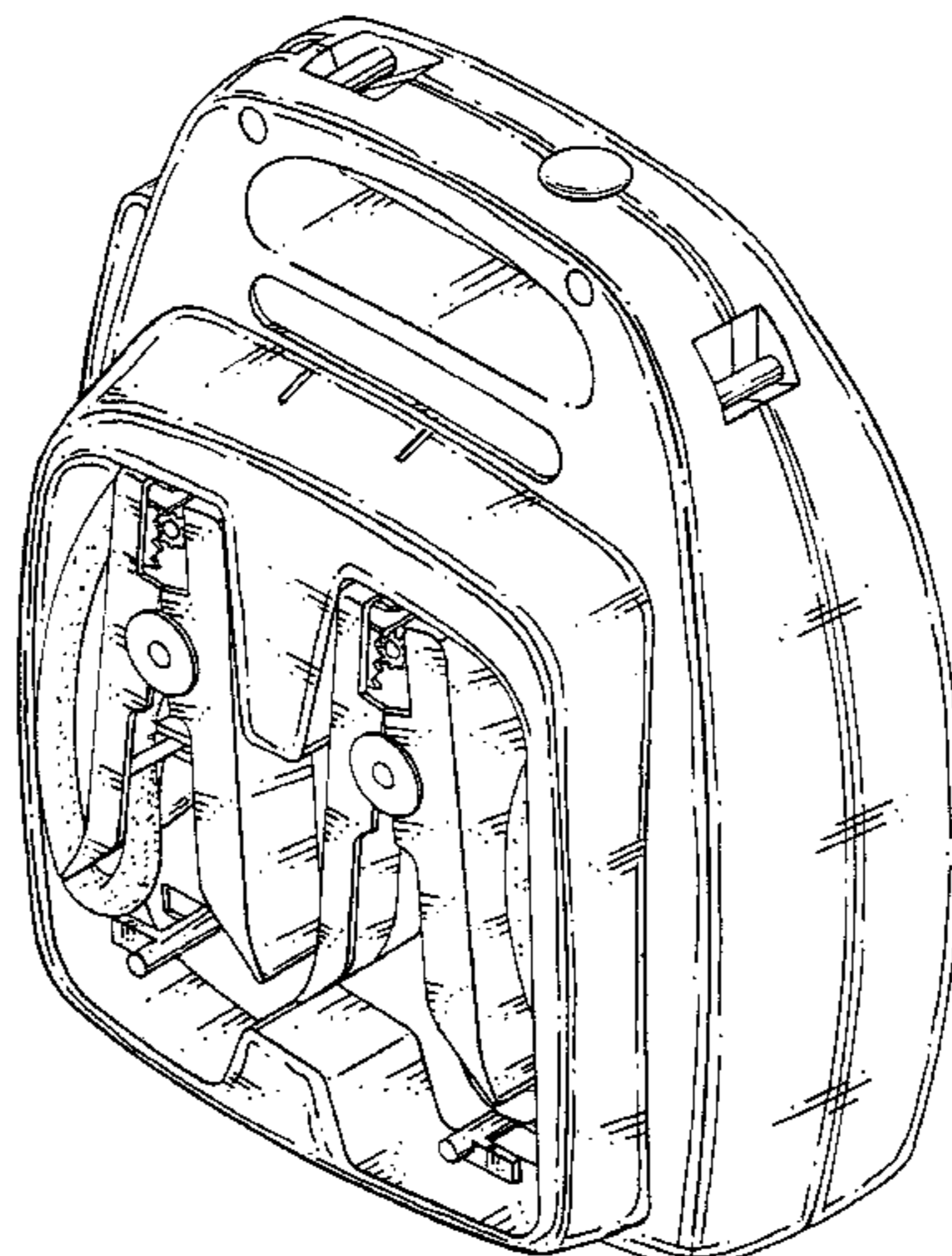
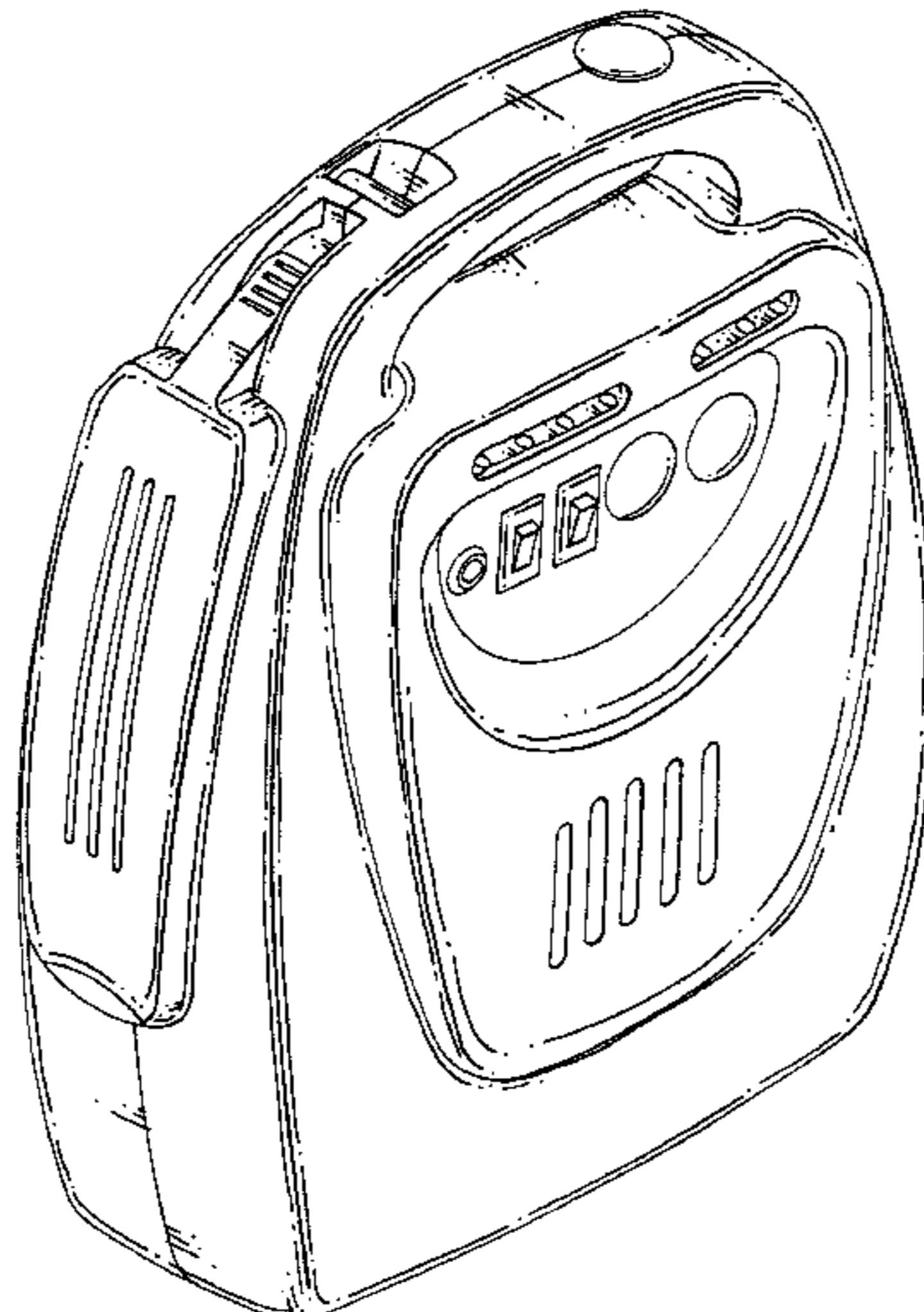
(57) **CLAIM**

The ornamental design for an electric power supply device, as shown and described.

**DESCRIPTION**

FIG. 1 is a perspective view of an electric power supply device showing my new design;  
 FIG. 2 is a front elevational view thereof;  
 FIG. 3 is a rear elevational view thereof;  
 FIG. 4 is a top plan view thereof;  
 FIG. 5 is a bottom plan view thereof;  
 FIG. 6 is a left side elevational view thereof;  
 FIG. 7 is a right side elevational view thereof; and,  
 FIG. 8 is a rear perspective view thereof.

**1 Claim, 5 Drawing Sheets**



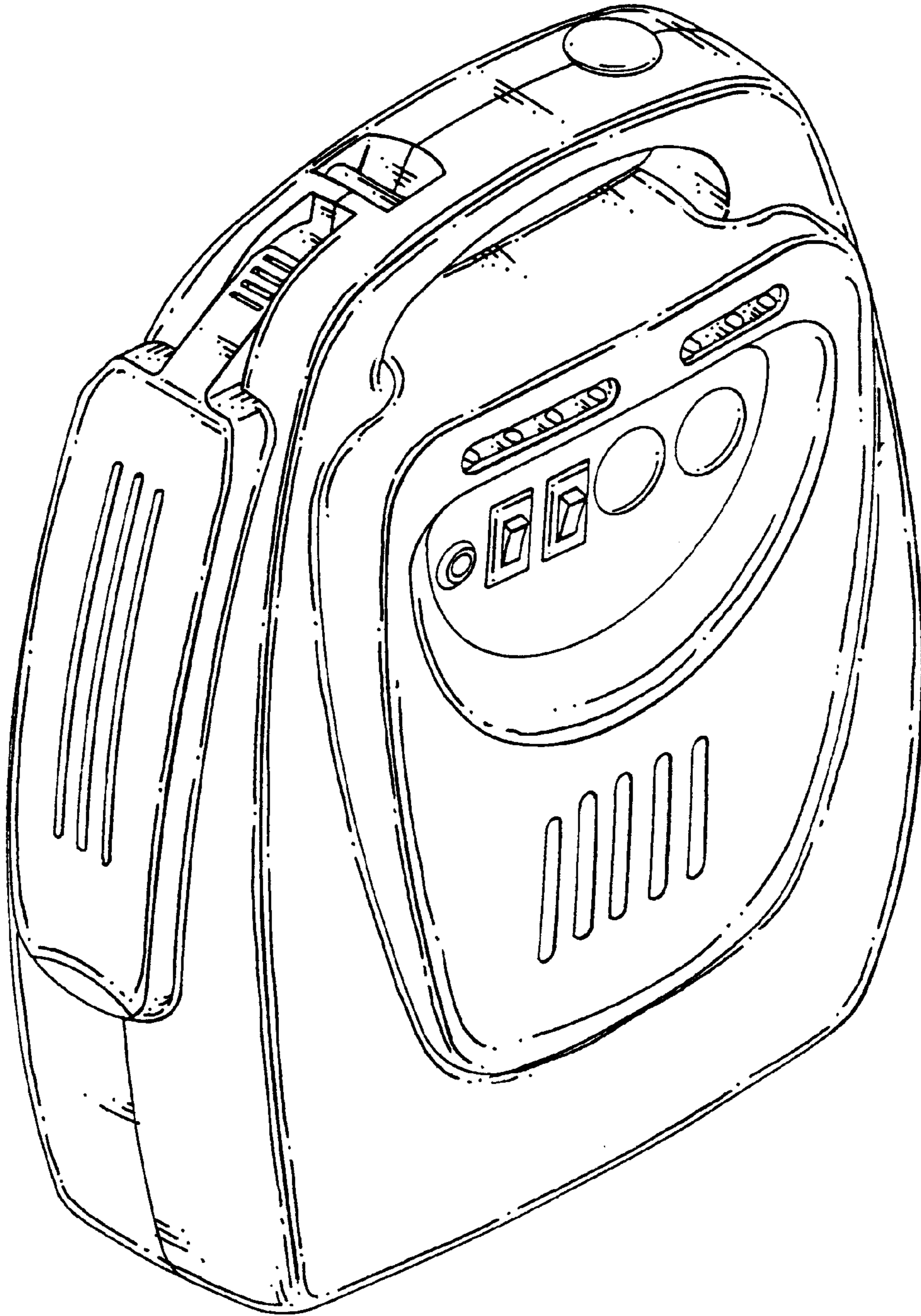


FIG. 1

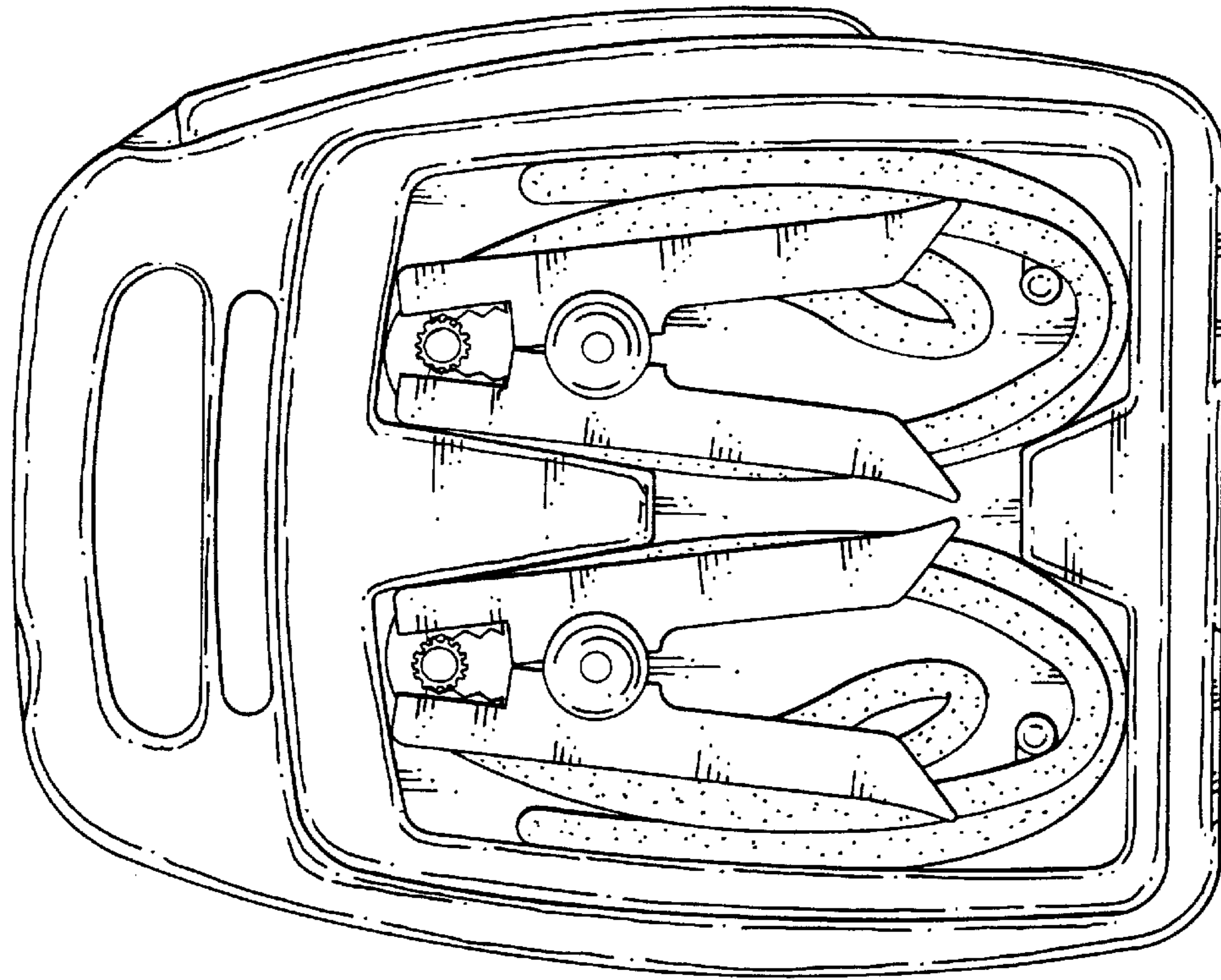


FIG. 3

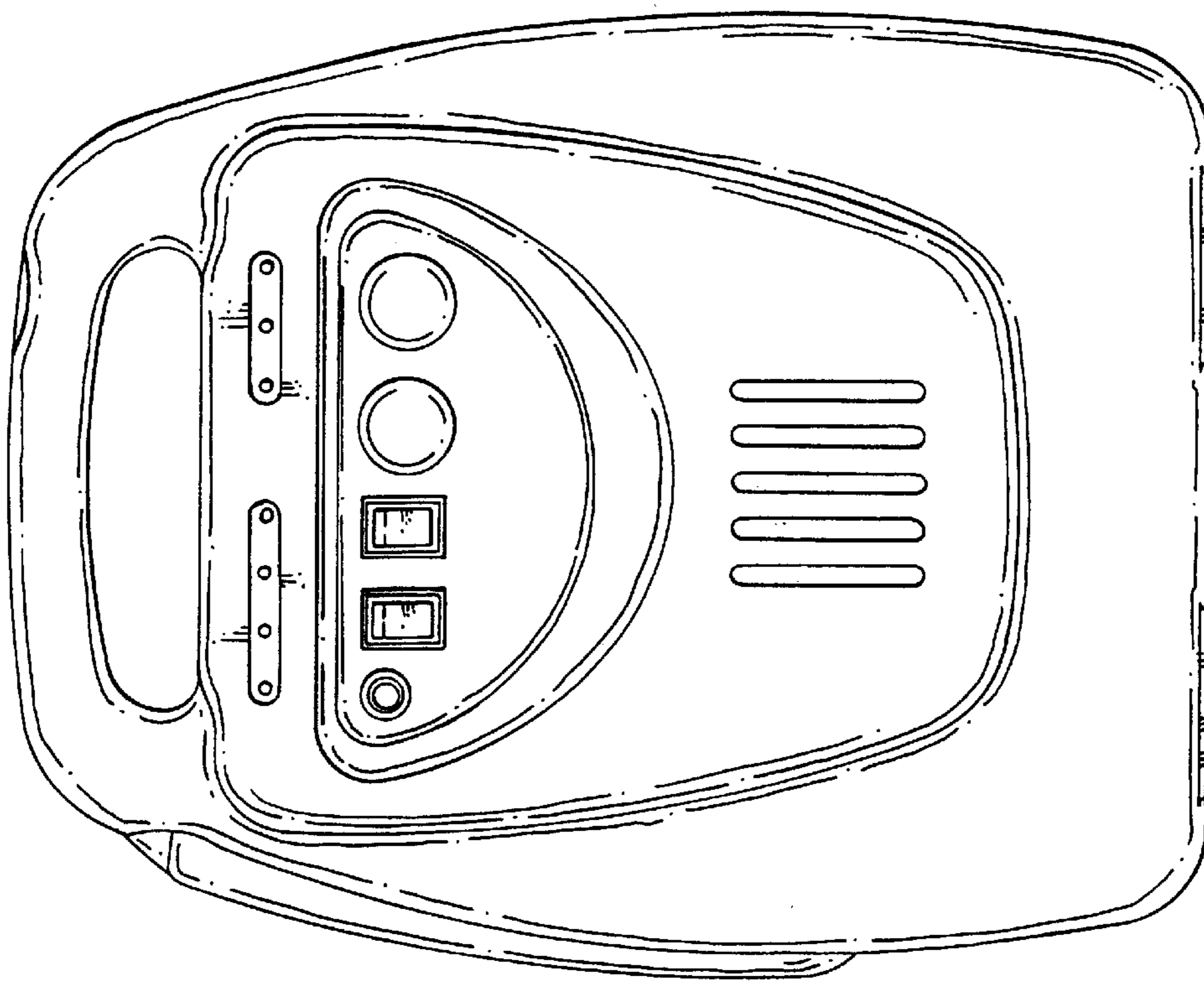


FIG. 2

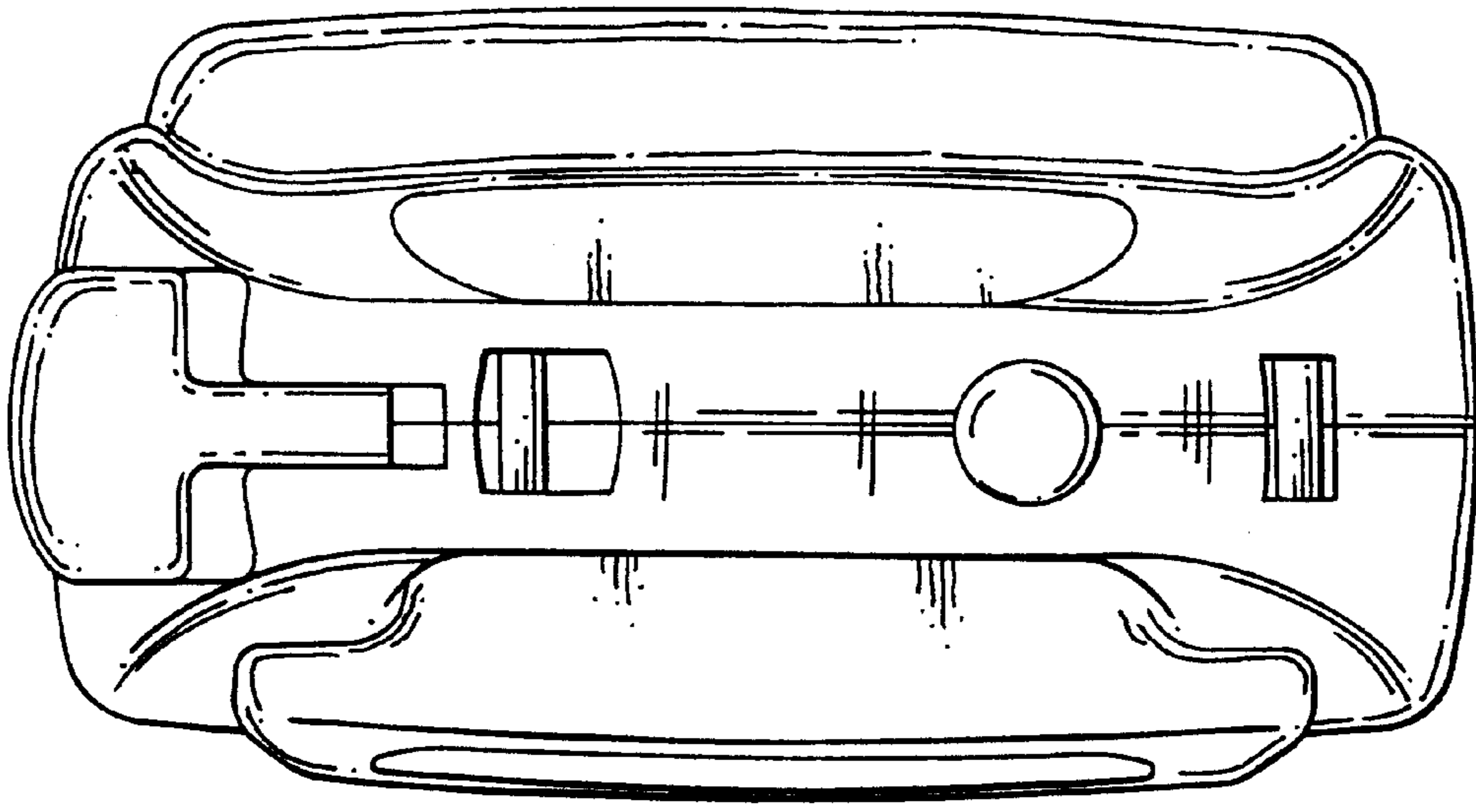


FIG. 4

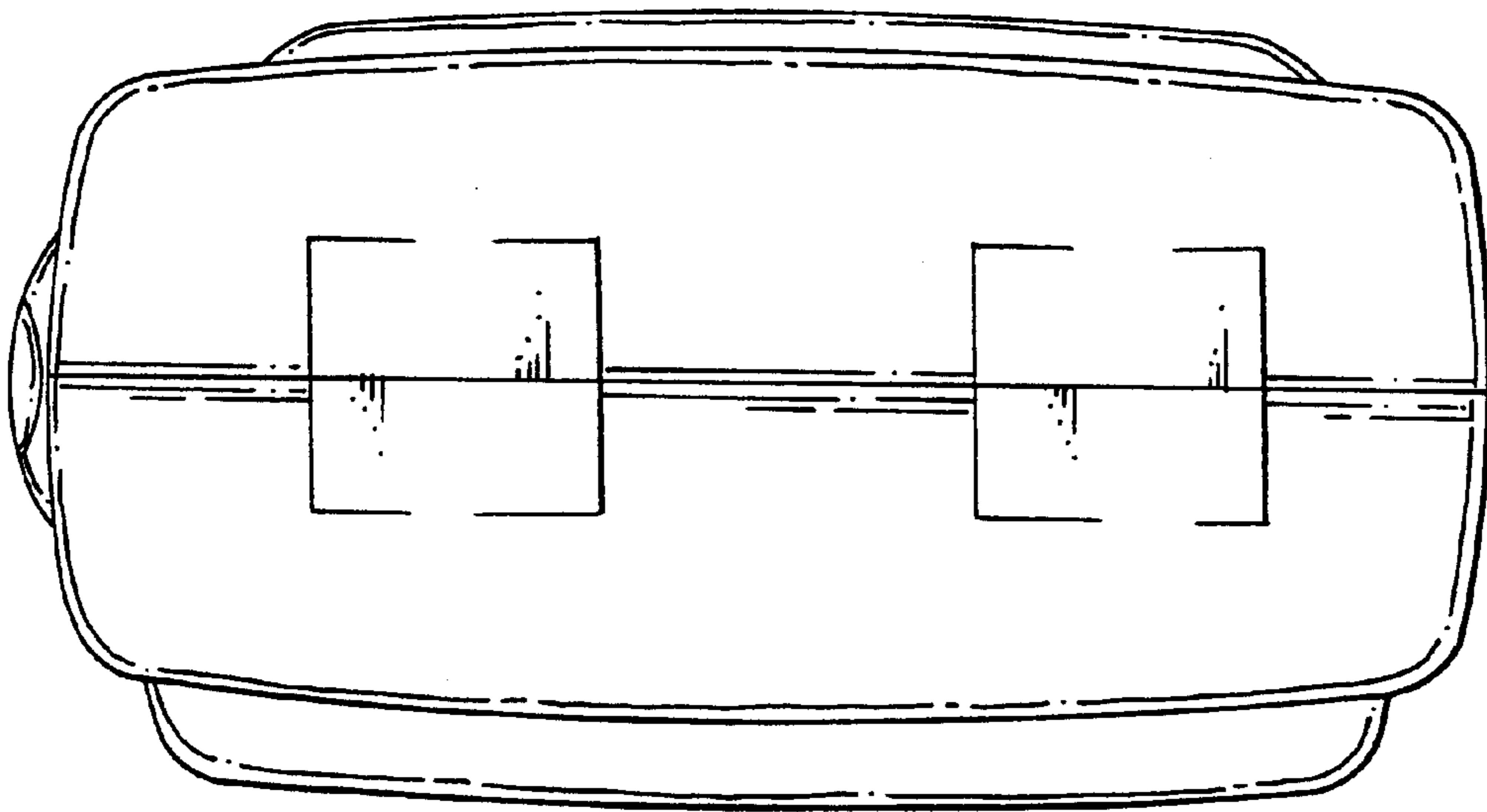


FIG. 5

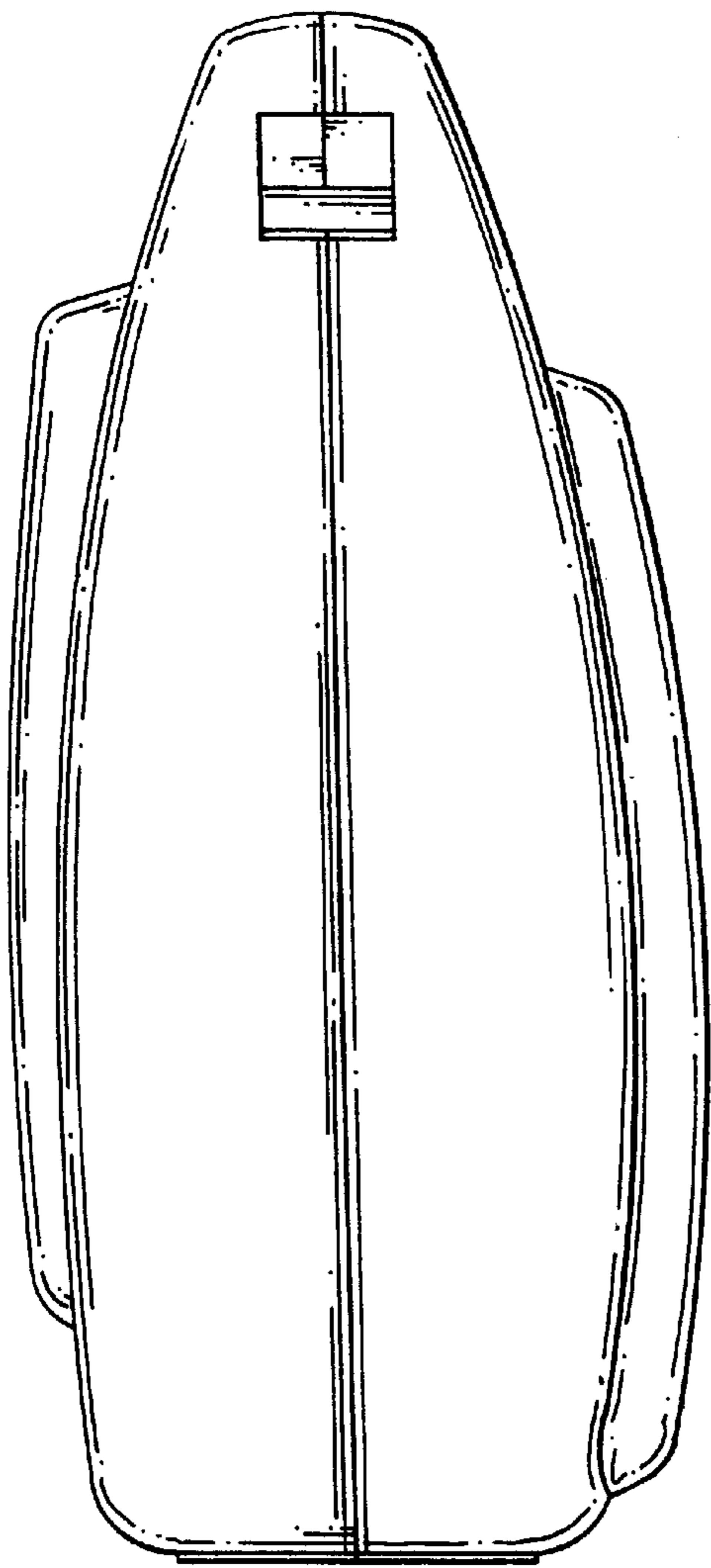


FIG. 7

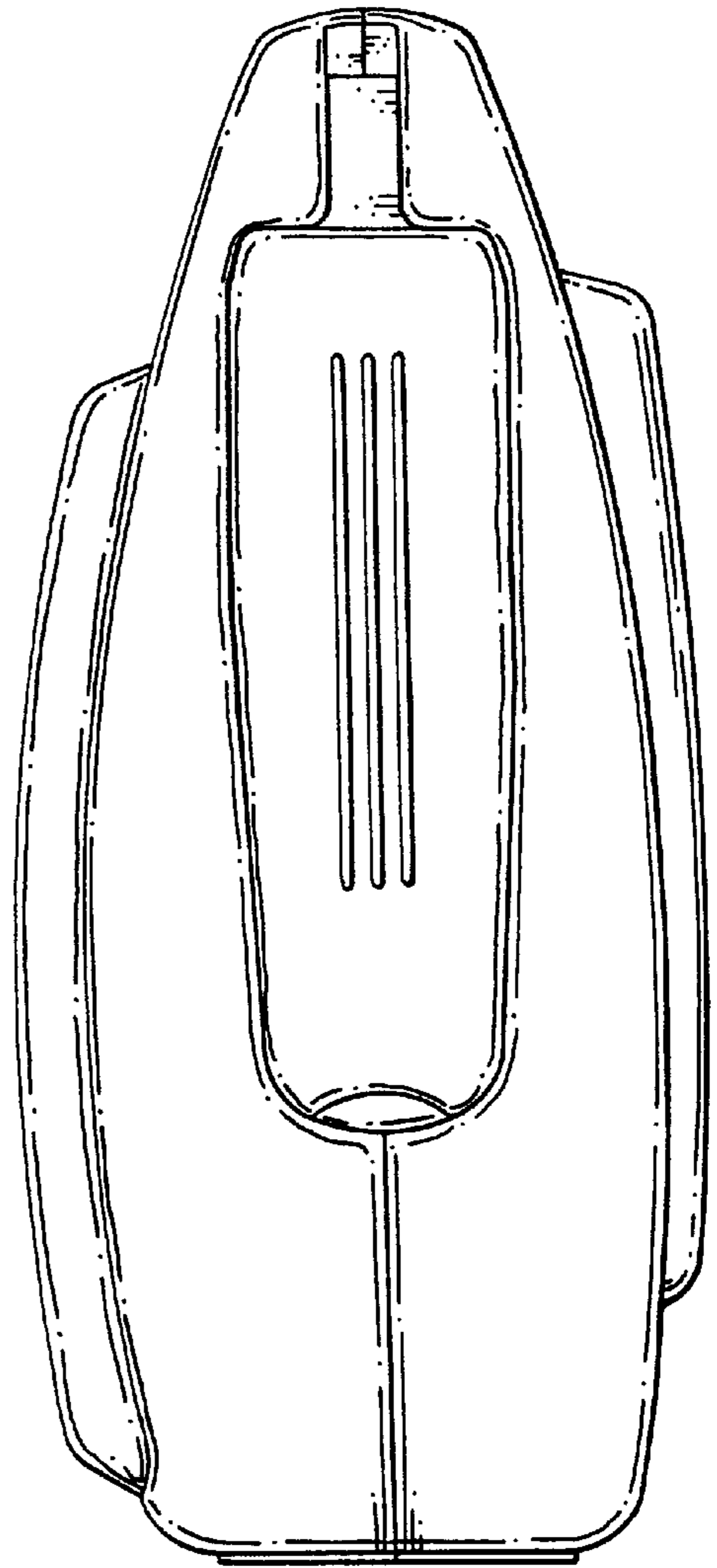


FIG. 6

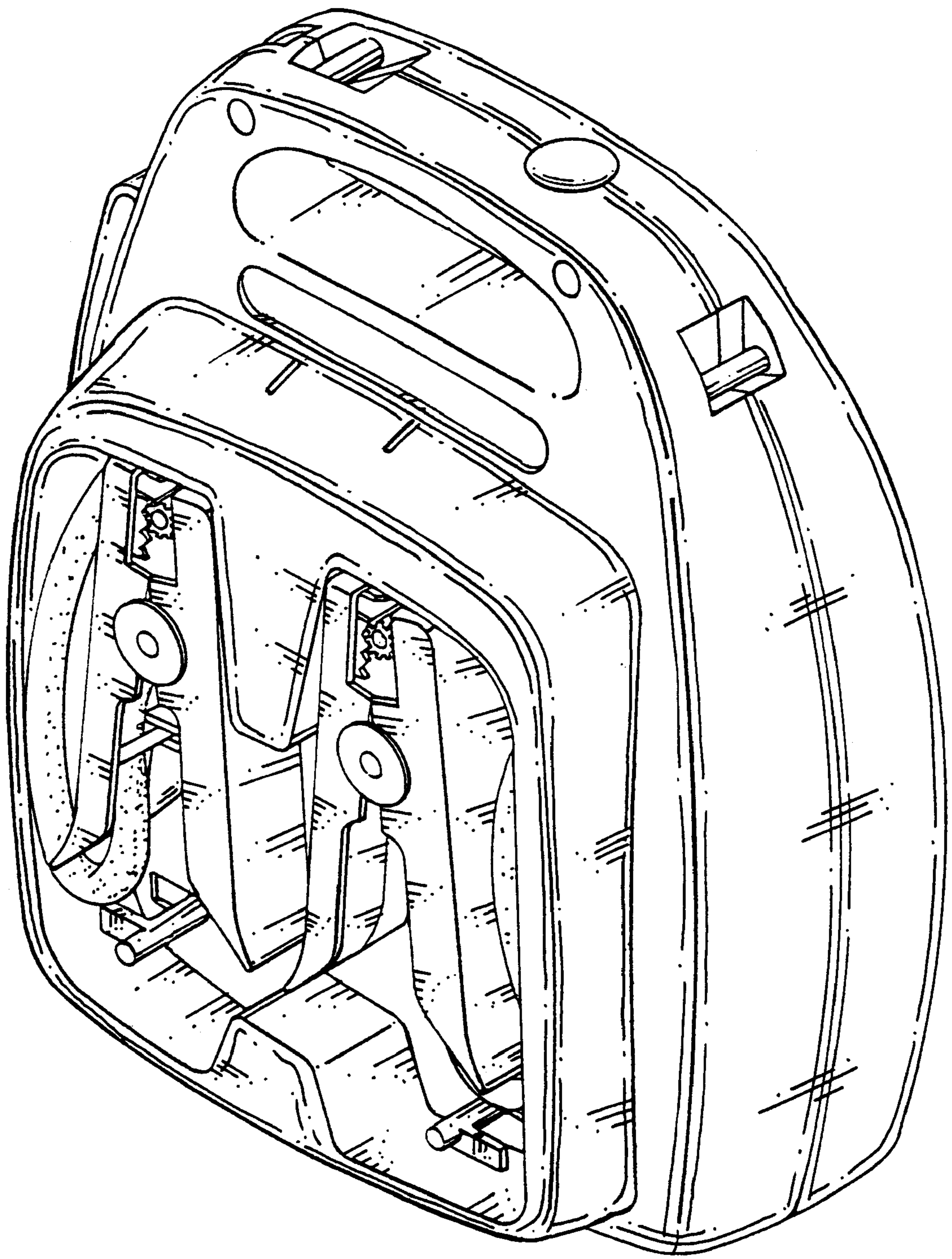


FIG. 8