



US00D444124S

(12) **United States Design Patent**  
**Casey et al.**

(10) **Patent No.:** **US D444,124 S**

(45) **Date of Patent:** **\*\* Jun. 26, 2001**

(54) **DESKTOP CHARGER**

(75) Inventors: **Michael James Casey; William Clifford Bohne**, both of Tucker; **Kevin Allen Rausch**, Coral Springs, all of GA (US)

(73) Assignee: **Motorola, Inc.**, Schaumburg, IL (US)

(\*\*) Term: **14 Years**

(21) Appl. No.: **29/131,858**

(22) Filed: **Oct. 28, 2000**

(51) **LOC (7) Cl.** ..... **13-02**

(52) **U.S. Cl.** ..... **D13/108**

(58) **Field of Search** ..... D13/107, 108, D13/118; D14/149, 251, 253; 320/110-115

(56) **References Cited**

**U.S. PATENT DOCUMENTS**

- D. 200,709 \* 3/1965 Shalvoy et al. .... D13/108
- D. 211,185 \* 5/1968 Cox ..... D13/108
- D. 358,821 \* 5/1995 Hellier et al. .... D14/253

- D. 395,280 \* 6/1998 Phelps ..... D13/108
- D. 399,821 \* 10/1998 Tyneski et al. .... D13/118
- D. 417,431 \* 12/1999 Okura et al. .... D13/108

\* cited by examiner

*Primary Examiner*—Joel Sincavage

(74) *Attorney, Agent, or Firm*—Philip H. Burrus, IV

(57) **CLAIM**

The ornamental design for a desktop charger, as shown and described.

**DESCRIPTION**

FIG. 1 is a right, top, front isometric view of a desktop charger showing our new design;

FIG. 2 is a top plan view thereof;

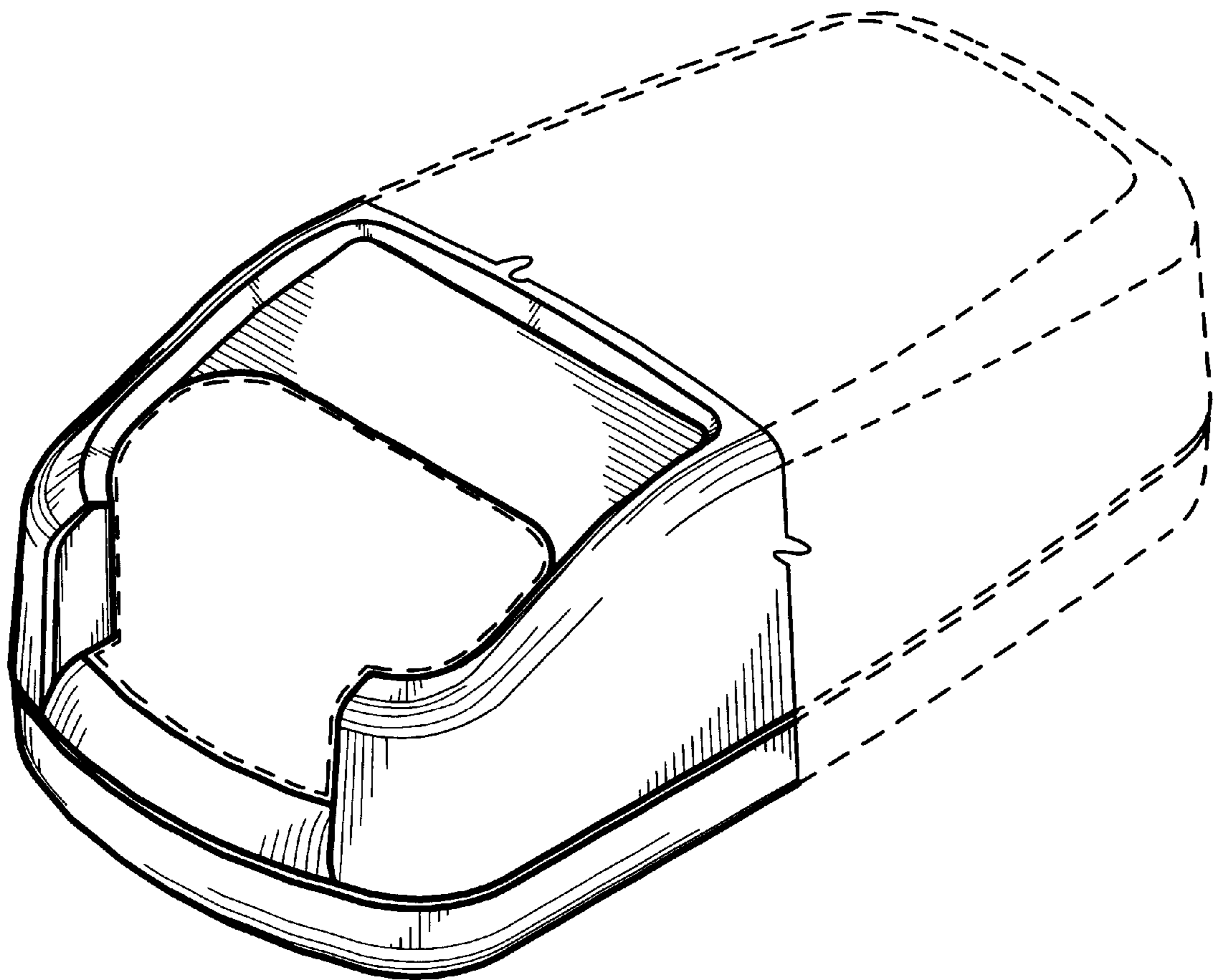
FIG. 3 is a front elevational view thereof; and,

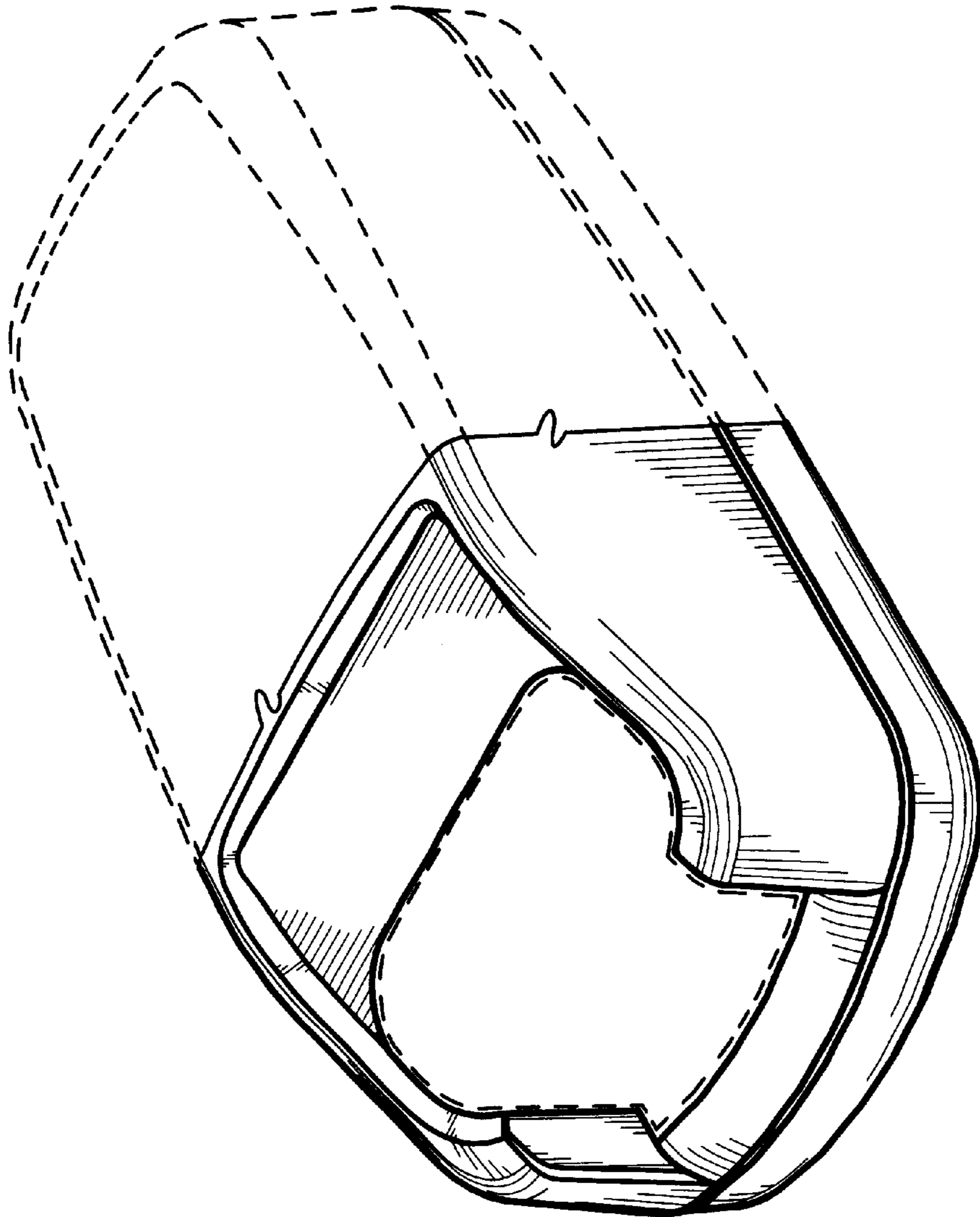
FIG. 4 is a right elevational side view thereof.

The left elevational side view is a mirror image of the right elevational side view.

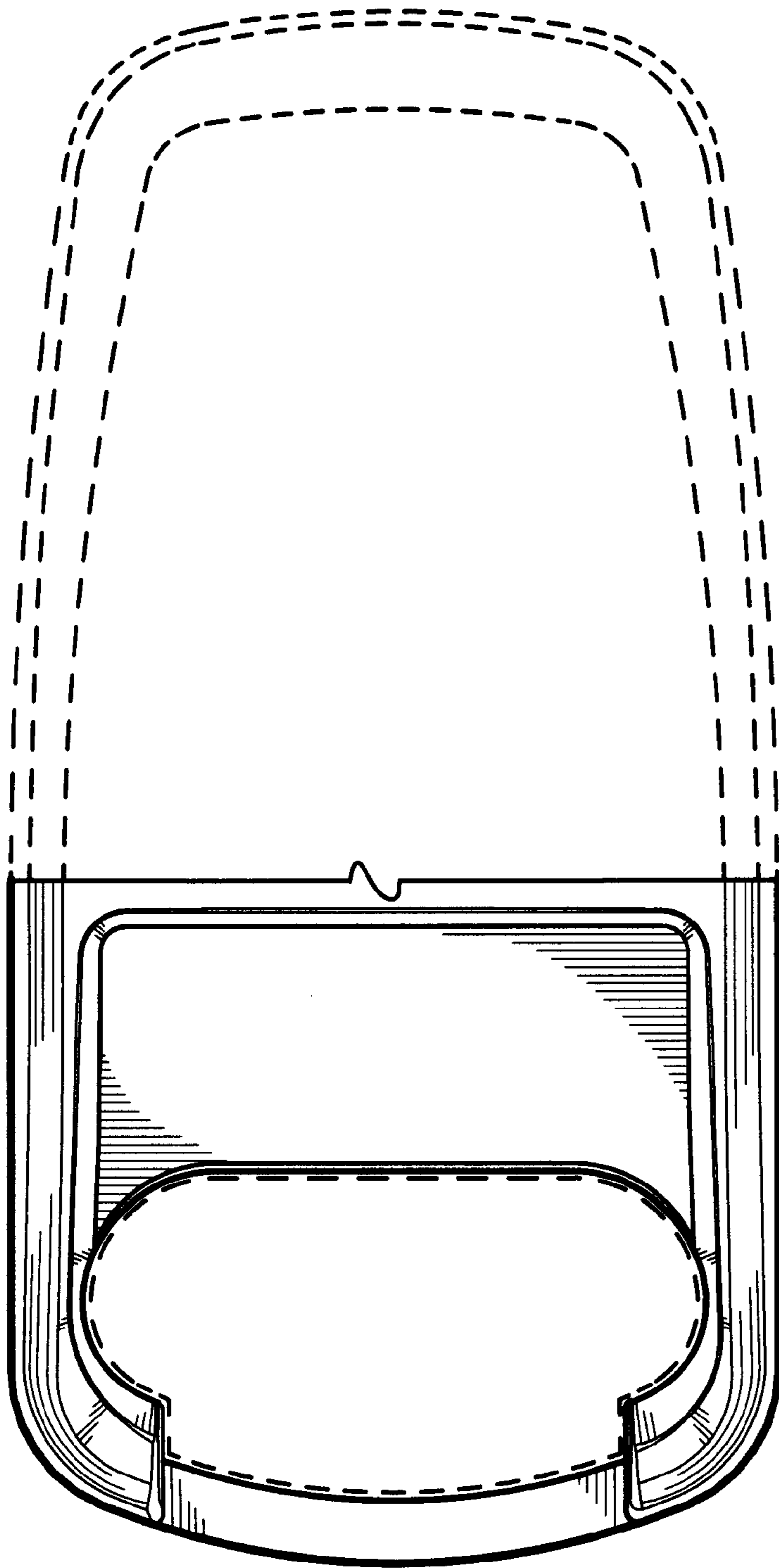
The dashed lines indicate unclaimed subject matter by outline.

**1 Claim, 3 Drawing Sheets**

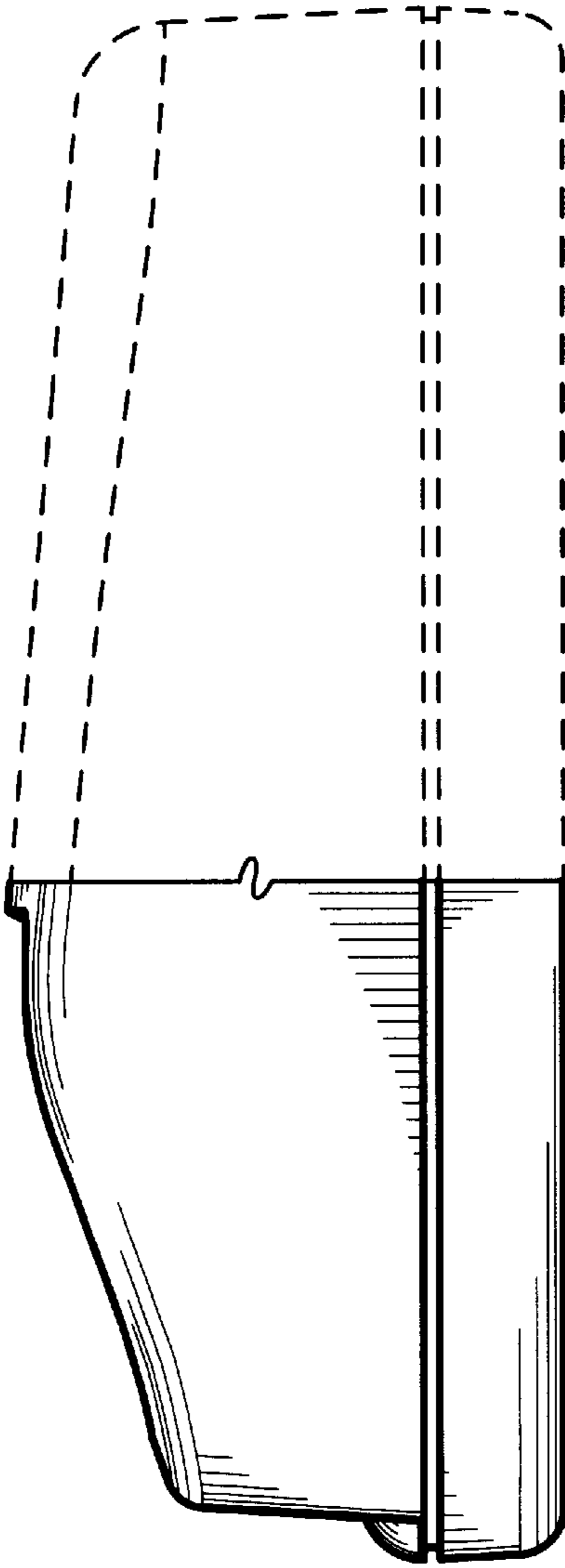




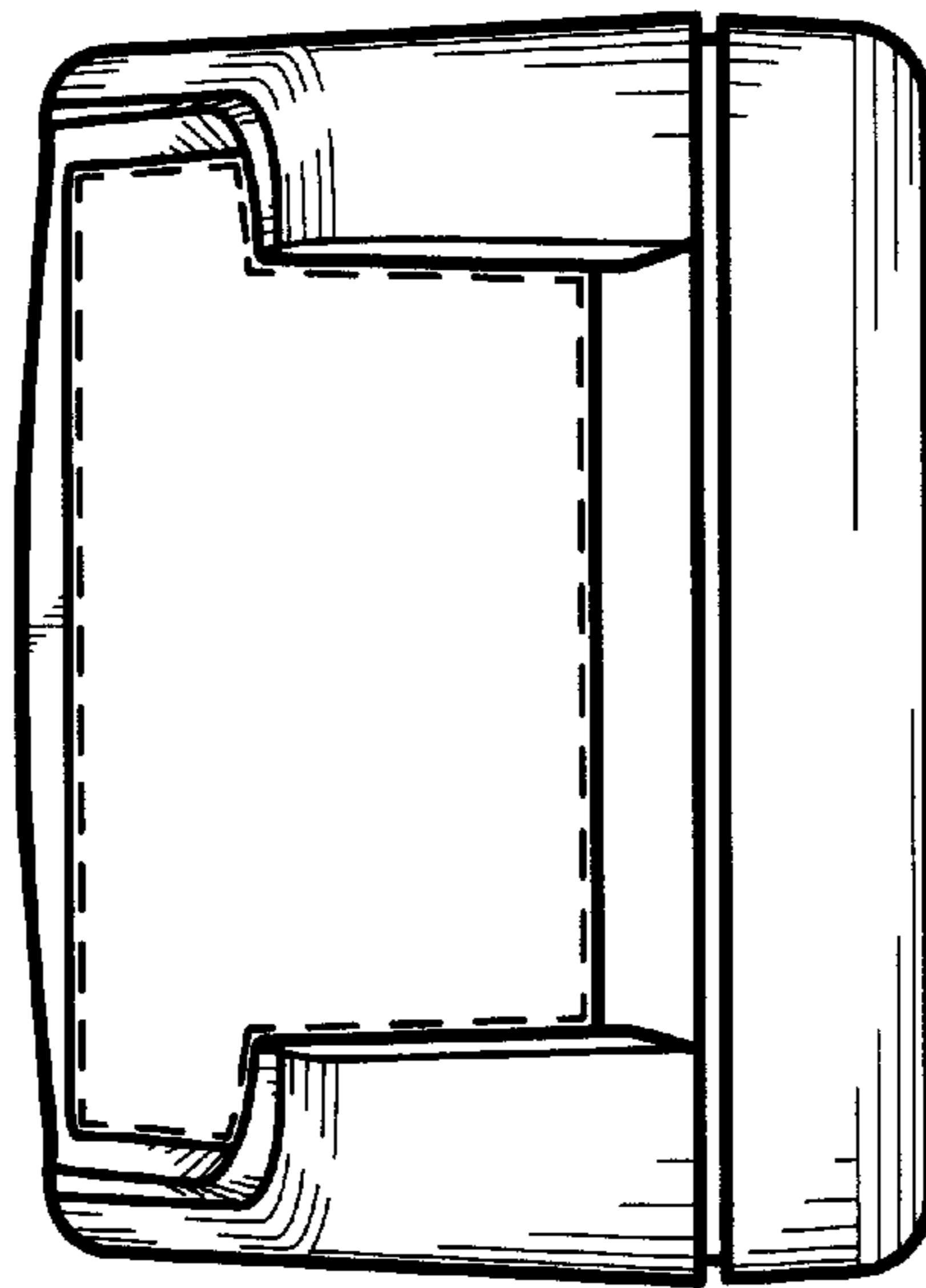
*FIG. 1*



*FIG. 2*



*FIG. 4*



*FIG. 3*