



US00D444122S

(12) **United States Design Patent**  
**Krieger et al.**

(10) **Patent No.:** **US D444,122 S**

(45) **Date of Patent:** **\*\* Jun. 26, 2001**

(54) **EMERGENCY BATTERY BOOSTER**

**FOREIGN PATENT DOCUMENTS**

(75) Inventors: **Michael Krieger**, Miami; **Kevin Ellsworth**, Hollywood, both of FL (US)

2292271 \* 2/1996 (GB) .

\* cited by examiner

(73) Assignee: **Vector Products, Inc.**, Ft. Lauderdale, FL (US)

*Primary Examiner*—Joel Sincavage

(74) *Attorney, Agent, or Firm*—Venable; Robert Kinberg

(\*\*) Term: **14 Years**

(57) **CLAIM**

We claim the ornamental design for an emergency battery booster, as shown and described.

(21) Appl. No.: **29/128,788**

**DESCRIPTION**

(22) Filed: **Aug. 31, 2000**

(51) **LOC (7) Cl.** ..... **13-02**

FIG. 1 is a top elevational view of an emergency battery booster showing my new design;

(52) **U.S. Cl.** ..... **D13/107**

FIG. 2 is a bottom elevational view of the design shown in FIG. 1;

(58) **Field of Search** ..... D13/106, 107, D13/108, 110; D26/10, 38, 51; 320/107-115, 103

FIG. 3 is a left side elevational view of the design shown in FIG. 1;

(56) **References Cited**

FIG. 4 is a right side elevational view of the design shown in FIG. 1;

**U.S. PATENT DOCUMENTS**

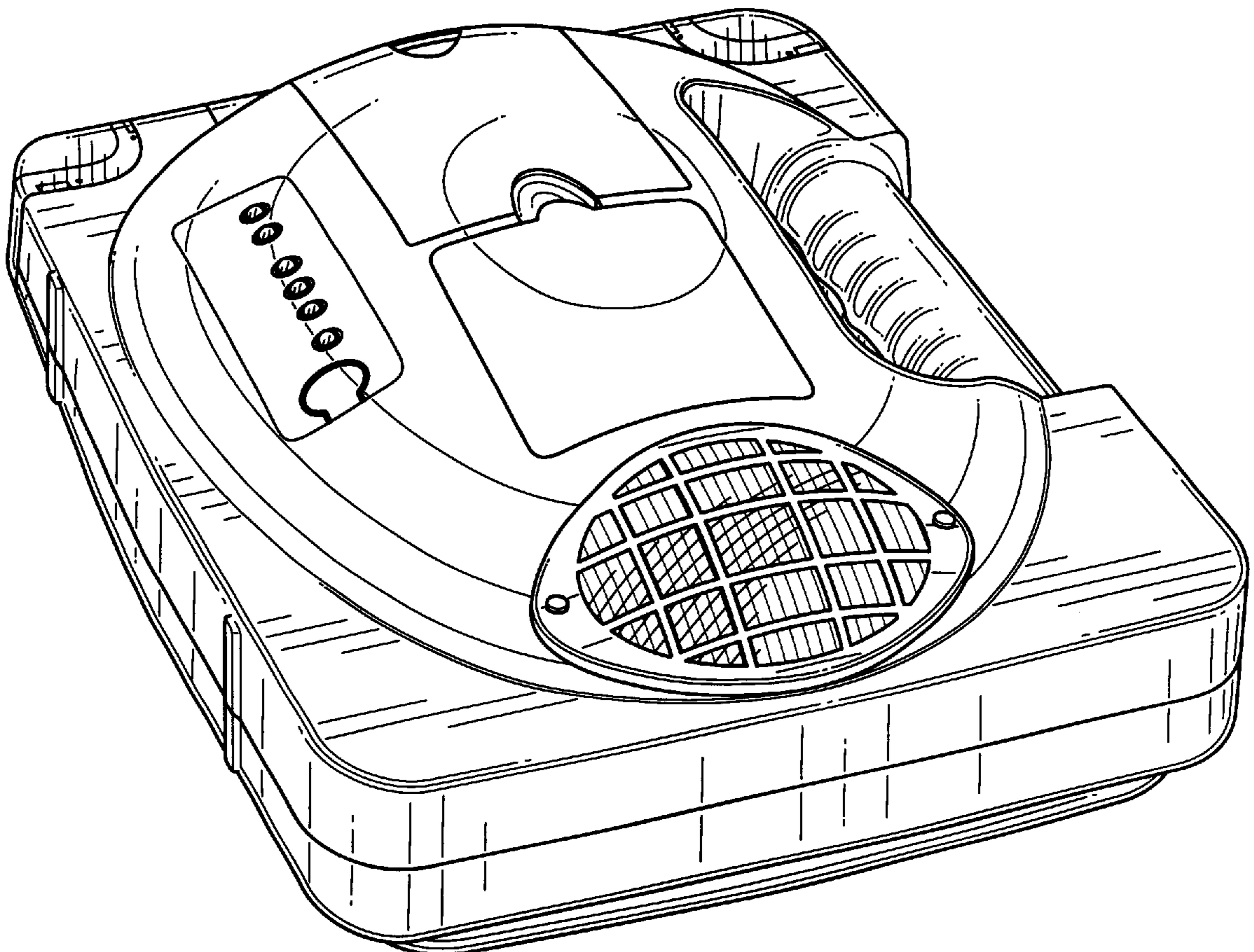
FIG. 5 is a back elevational view of the design shown in FIG. 1;

- D. 393,446 \* 4/1998 Bellofatto et al. .... D13/106
- D. 407,065 \* 3/1999 Chang ..... D13/110
- D. 417,429 \* 12/1999 Brezovar et al. .... D13/107
- D. 429,482 \* 8/2000 Hussaini et al. .... D13/107
- D. 432,985 \* 10/2000 Wan ..... D13/107

FIG. 6 is a front elevational view of the design shown in FIG. 1; and,

FIG. 7 is a perspective view of the design shown in FIG. 1.

**1 Claim, 7 Drawing Sheets**



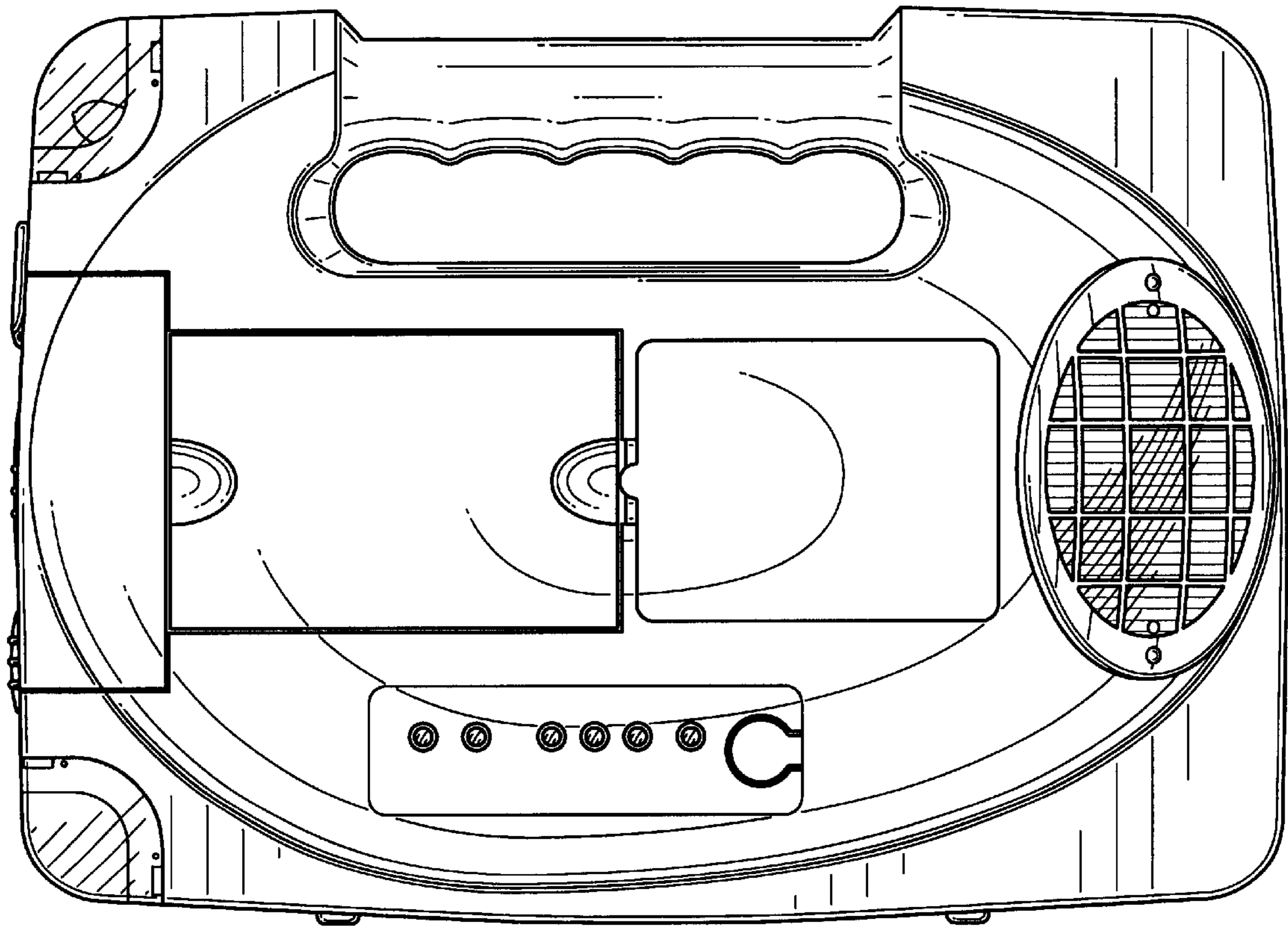


FIG. 1

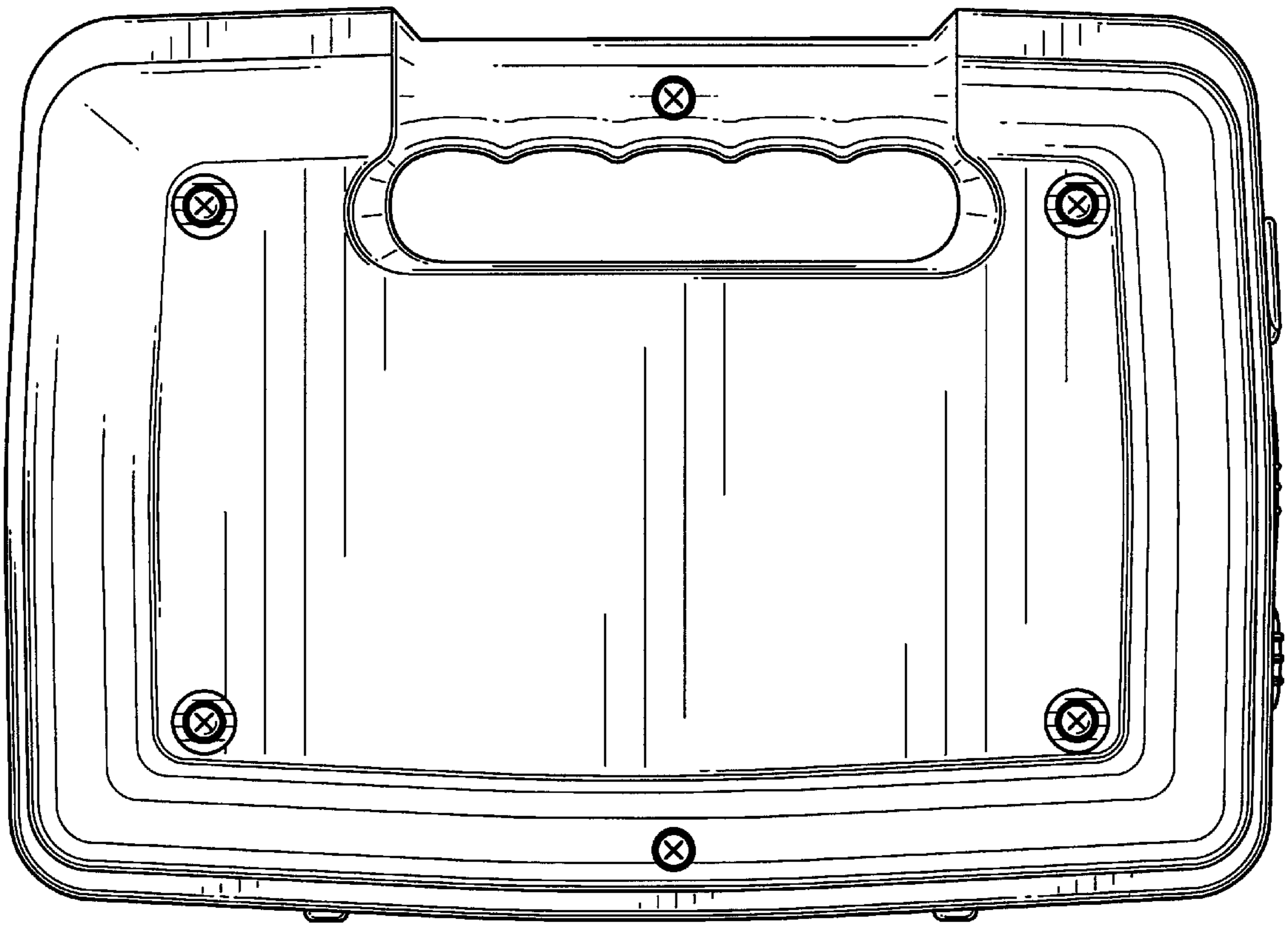


FIG. 2

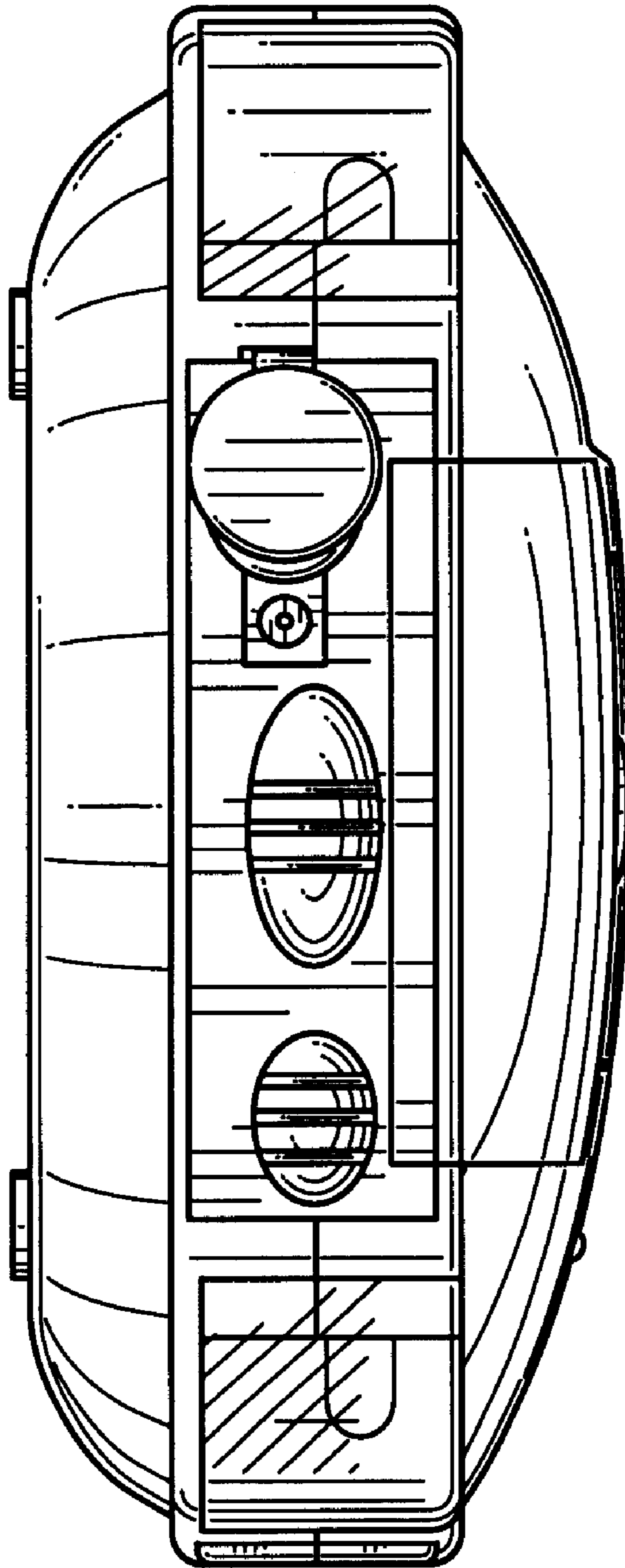


FIG. 3

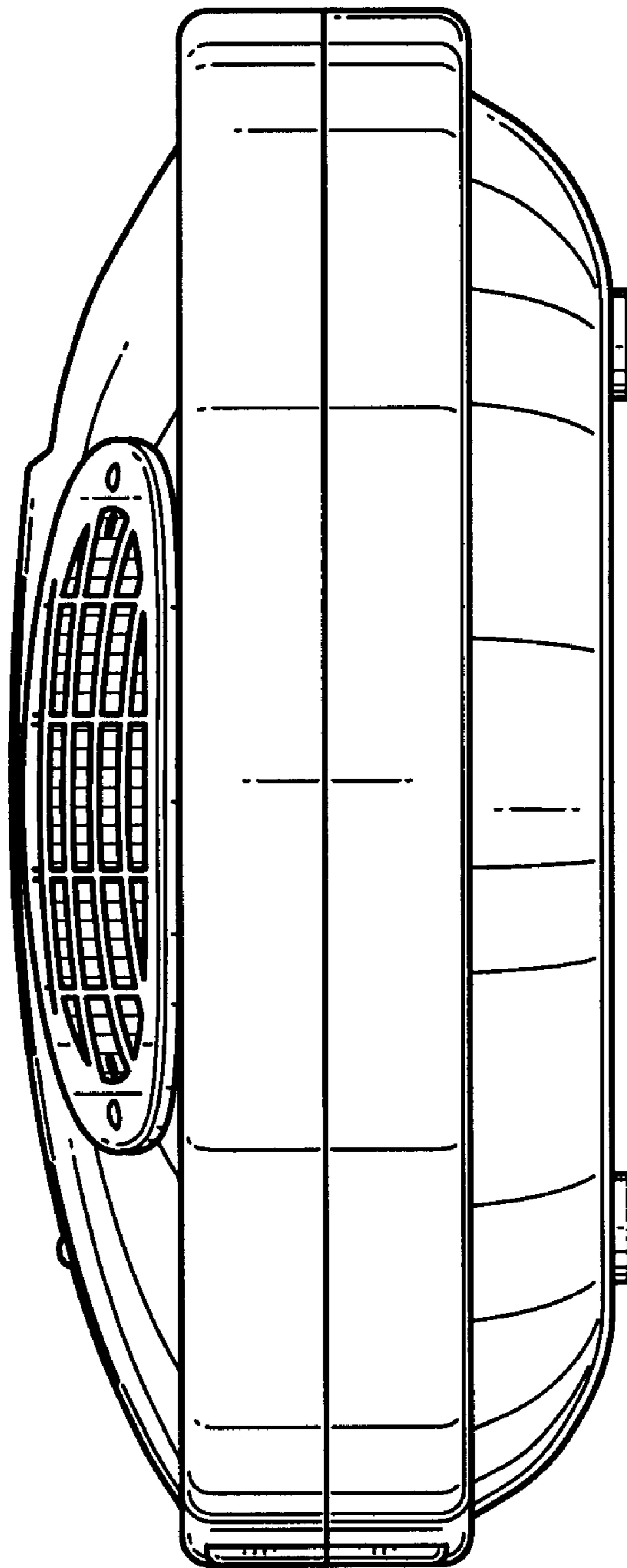


FIG. 4



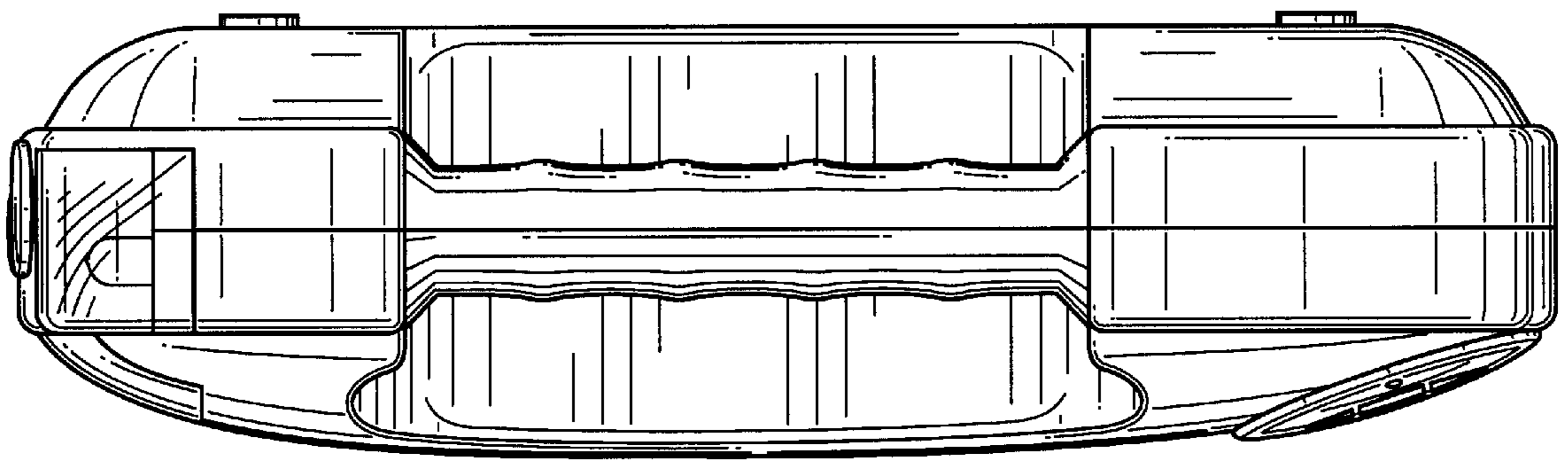


FIG. 5

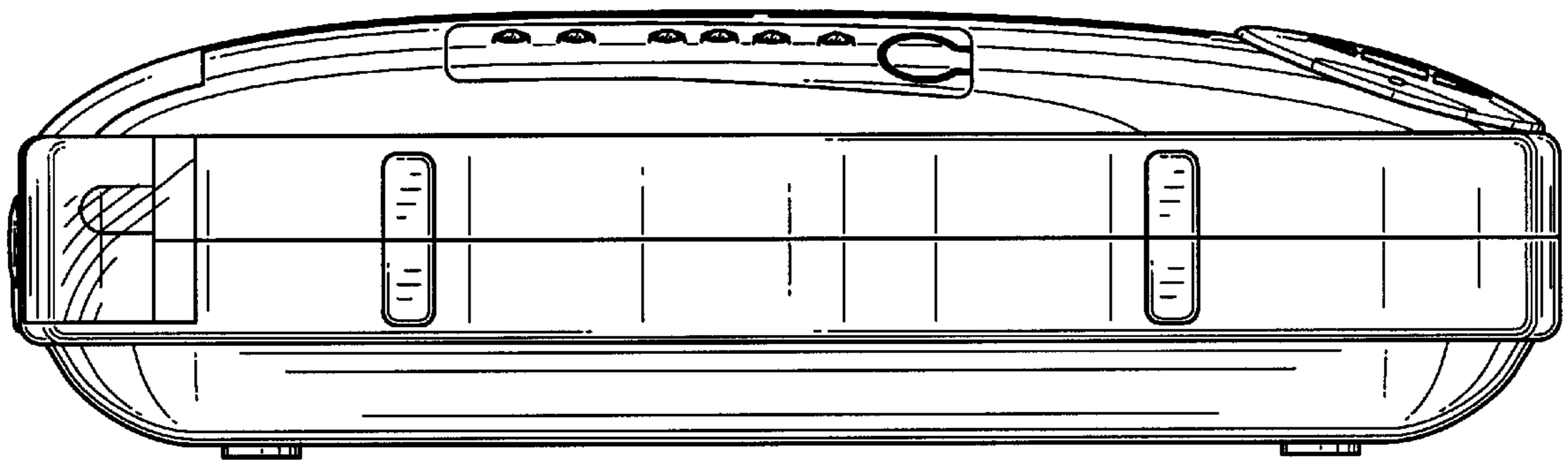


FIG. 6

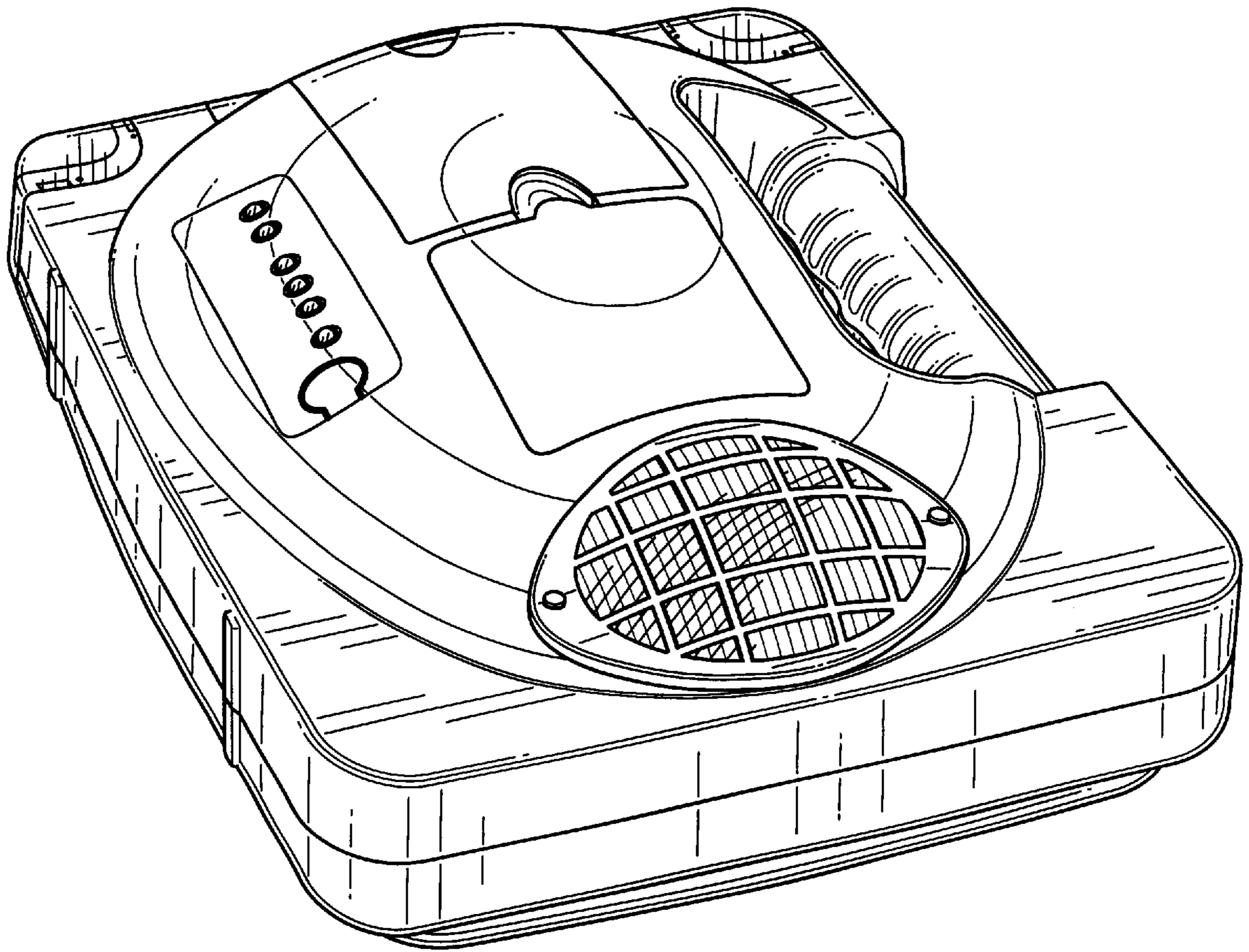


FIG. 7