



US00D444121S

(12) **United States Design Patent**
Chun et al.

(10) **Patent No.:** **US D444,121 S**

(45) **Date of Patent:** **** Jun. 26, 2001**

(54) **DESKTOP CHARGER**

(75) Inventors: **Howard Chun**, Seoul (KR); **Willard Francis Amero, Jr.**, Flowery Branch, GA (US); **Danny Yoon**, Seoul (KR)

(73) Assignee: **Motorola, Inc.**, Schaumburg, IL (US)

(**) Term: **14 Years**

(21) Appl. No.: **29/121,879**

(22) Filed: **Apr. 14, 2000**

(51) **LOC (7) Cl.** **13-02**

(52) **U.S. Cl.** **D13/107; D13/108**

(58) **Field of Search** **D13/107, 108, D13/118; D14/149, 251, 253; 320/110-115**

(56) **References Cited**

U.S. PATENT DOCUMENTS

- D. 206,590 * 1/1967 Haggstrom et al. D14/253
- D. 275,482 * 9/1984 Coons et al. D14/253
- D. 343,841 * 2/1994 Hon et al. D14/251
- D. 431,021 * 9/2000 Collins D13/108
- D. 431,809 * 10/2000 McBroom et al. D13/107

6,130,521 * 10/2000 Collins et al. 320/115

* cited by examiner

Primary Examiner—Joel Sincavage

(74) *Attorney, Agent, or Firm*—Philip H. Burrus, IV

(57) **CLAIM**

The ornamental design for a desktop charger, as shown and described.

DESCRIPTION

FIG. 1 is a front, top, right isometric view of a desk top showing our new design;

FIG. 2 is an elevation front view thereof;

FIG. 3 is an elevation rear view thereof;

FIG. 4 is an elevation left side view thereof;

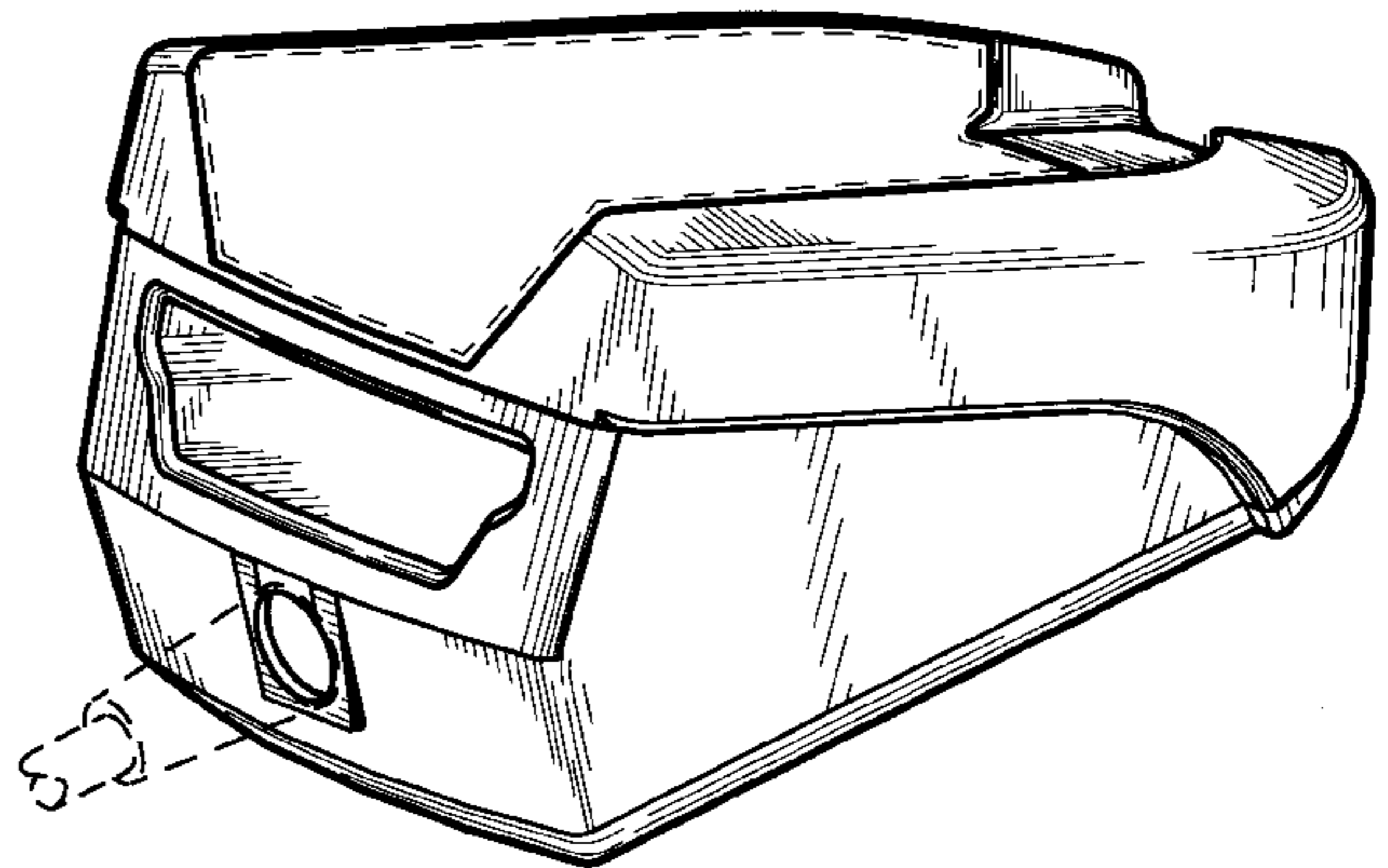
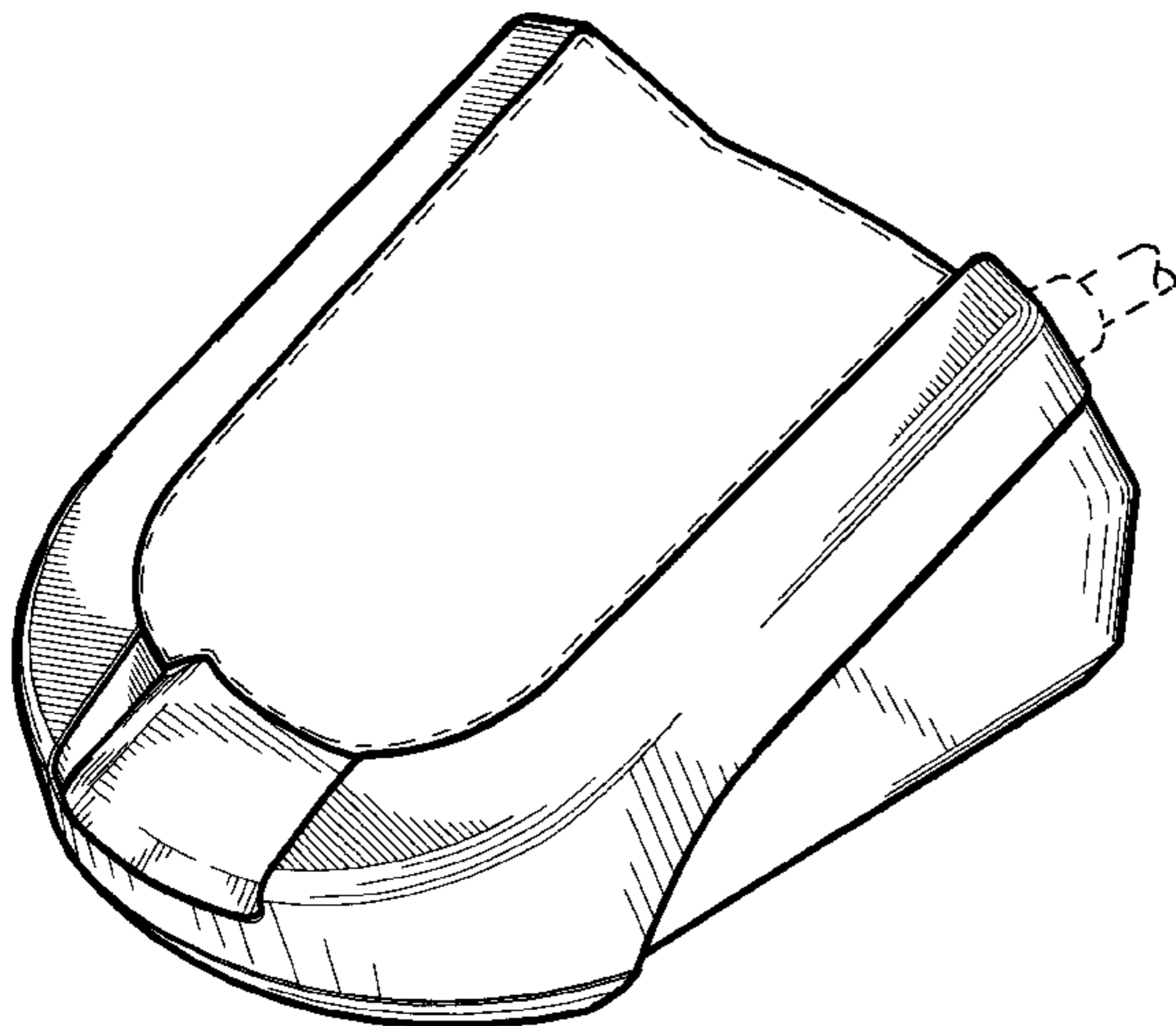
FIG. 5 is a top plan view thereof;

FIG. 6 is a bottom plan view thereof; and,

FIG. 7 is a rear, top, left isometric view thereof.

The dashed lines illustrating a strain-relief and partial cord in FIGS. 1, 3-7 indicate unclaimed subject matter by outline. The dashed lines illustrating the charger pocket in FIGS. 1, 2, 3, 5, and 7 indicate unclaimed subject matter by outline.

1 Claim, 6 Drawing Sheets



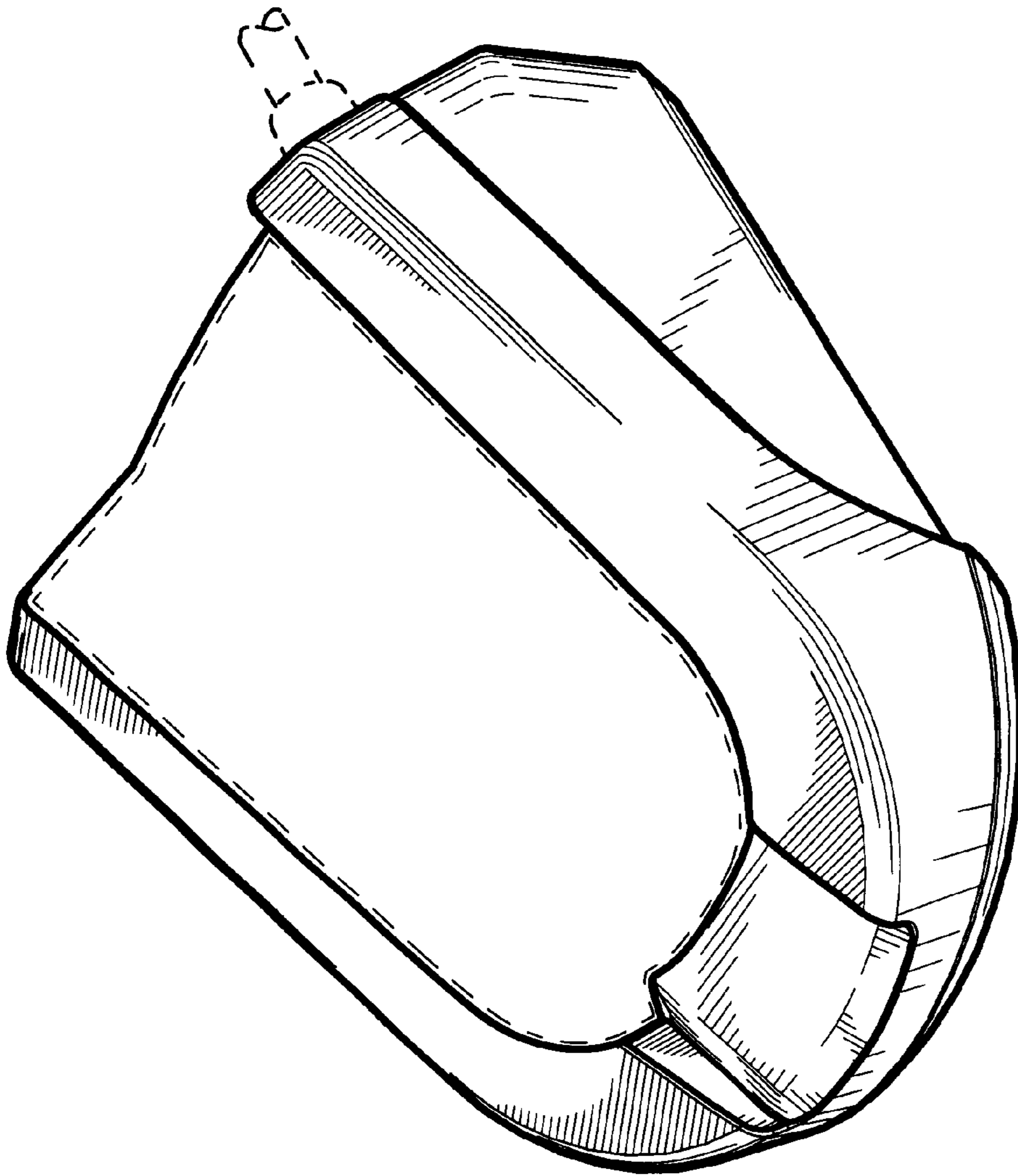


FIG. 1

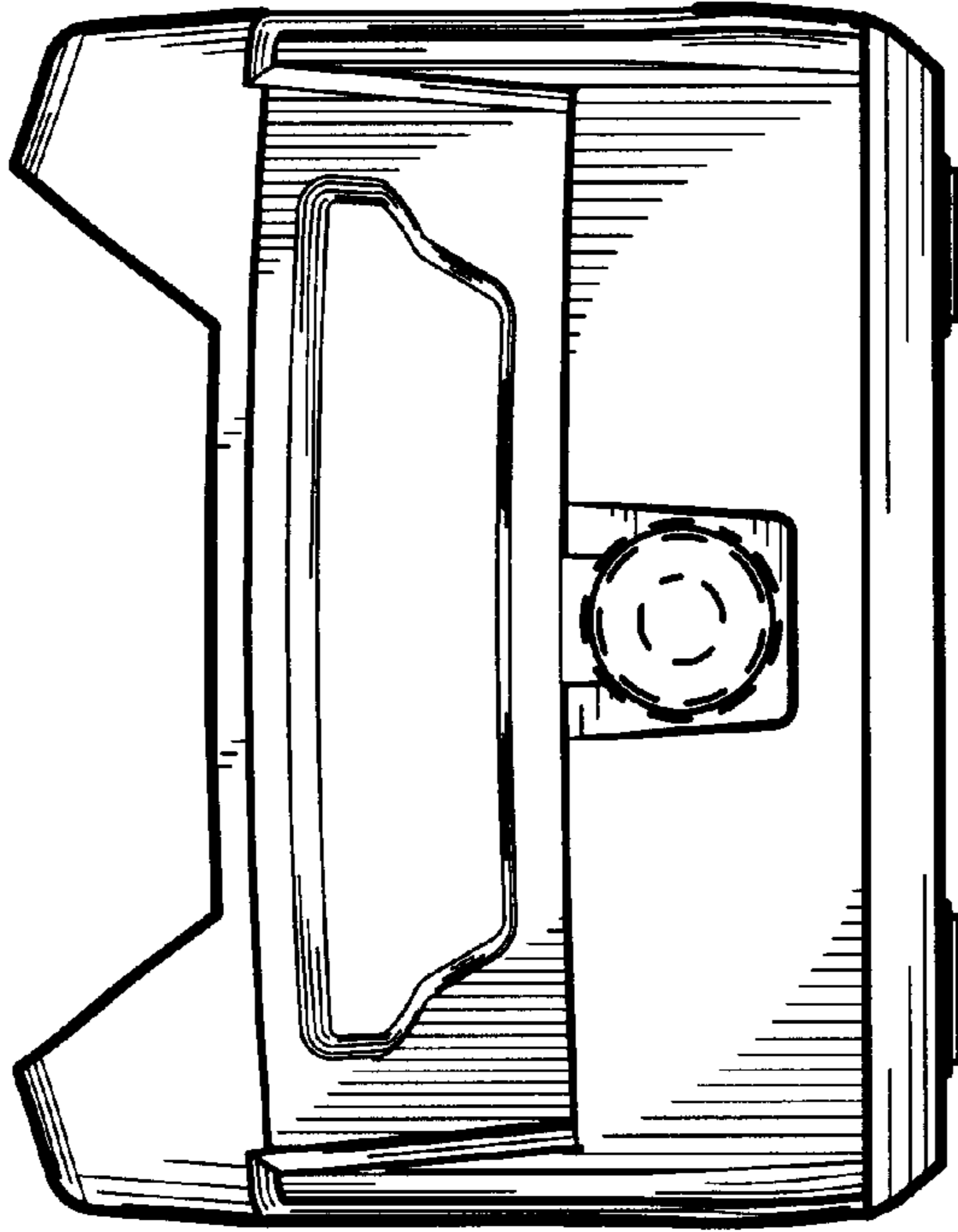


FIG. 3

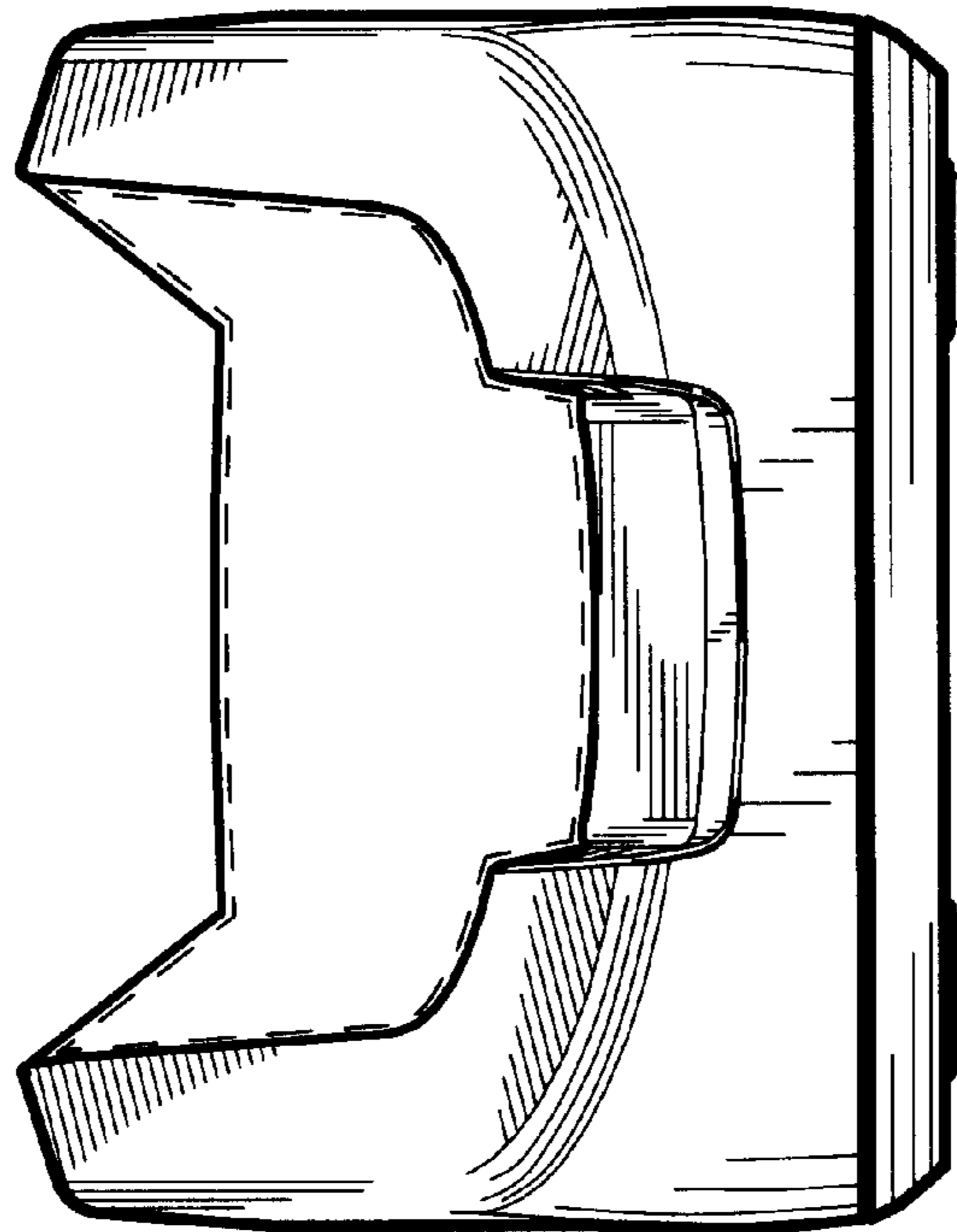


FIG. 2

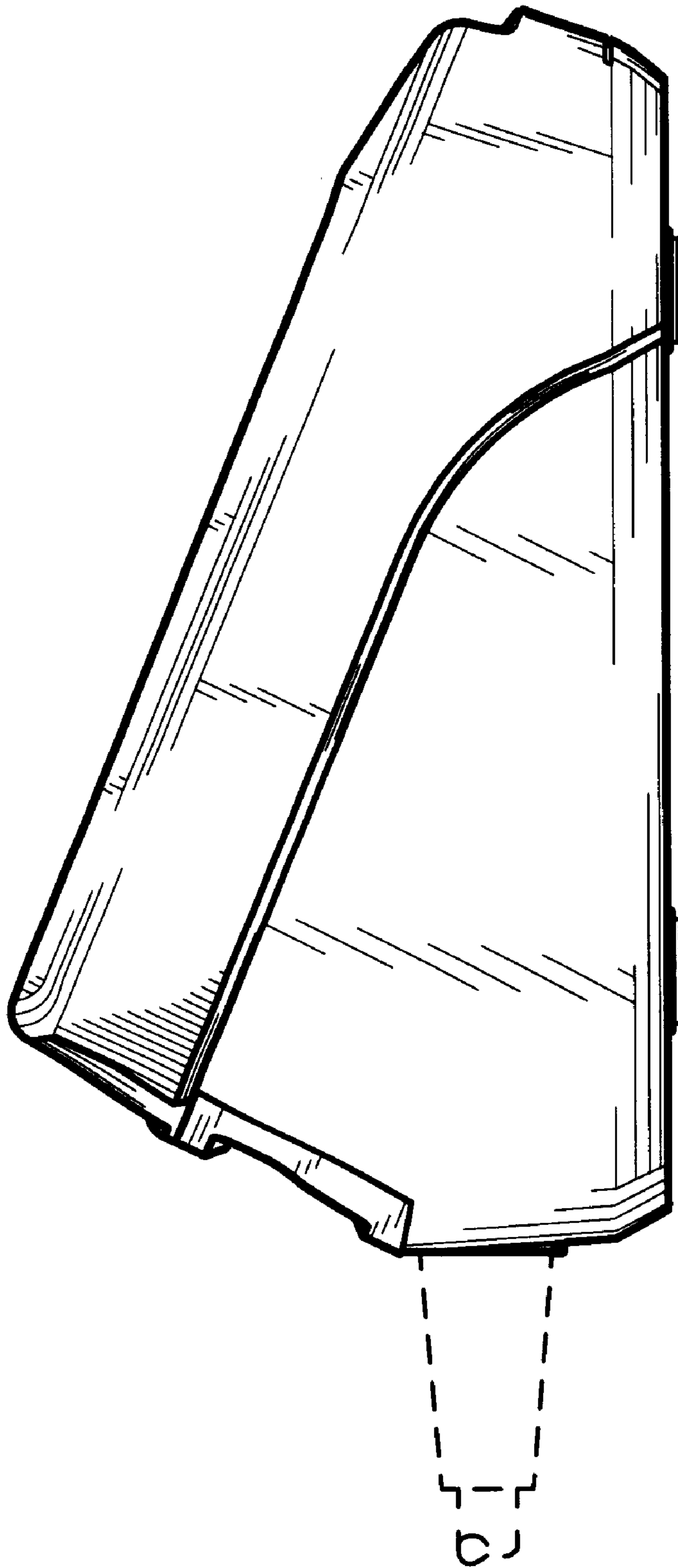


FIG. 4

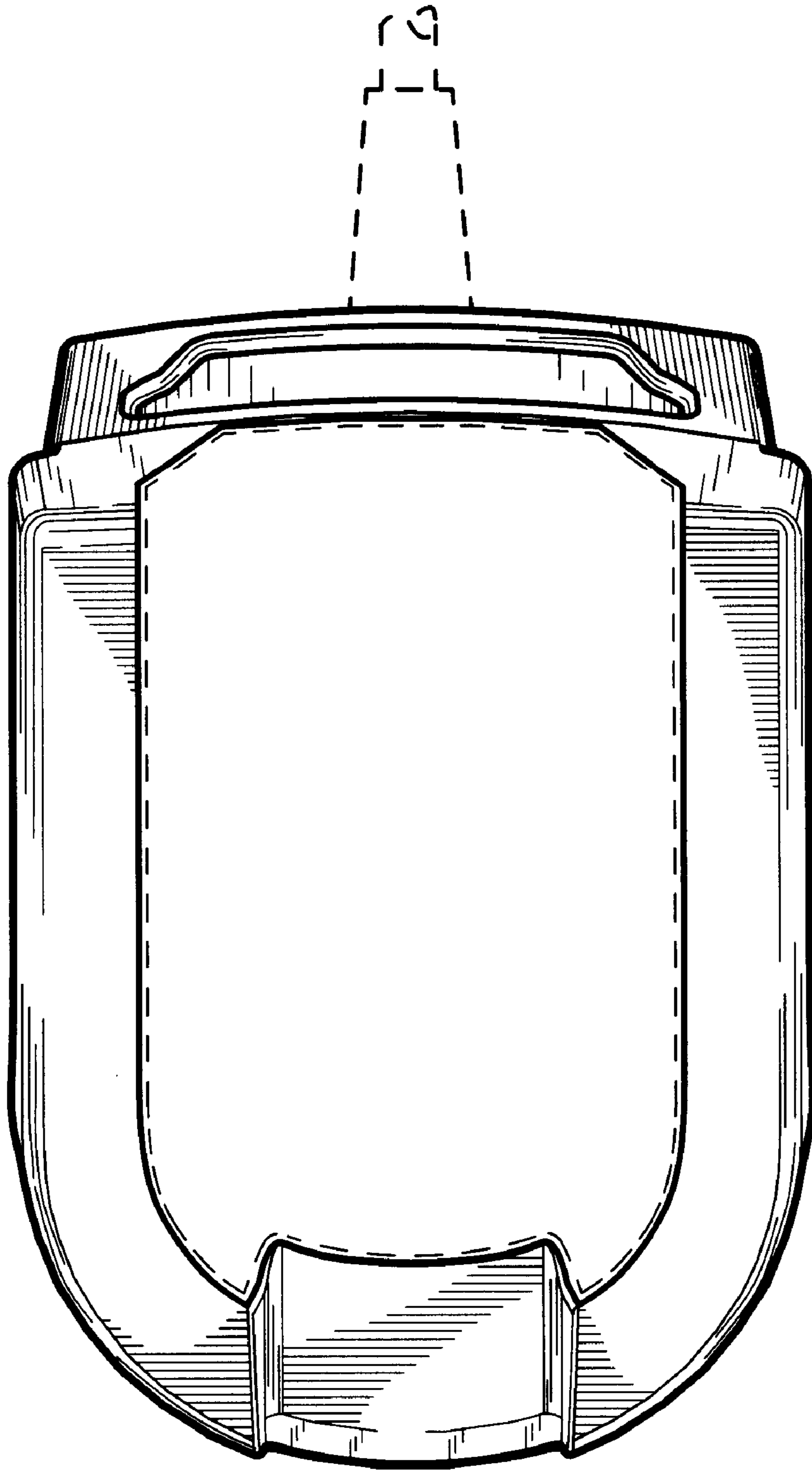


FIG. 5

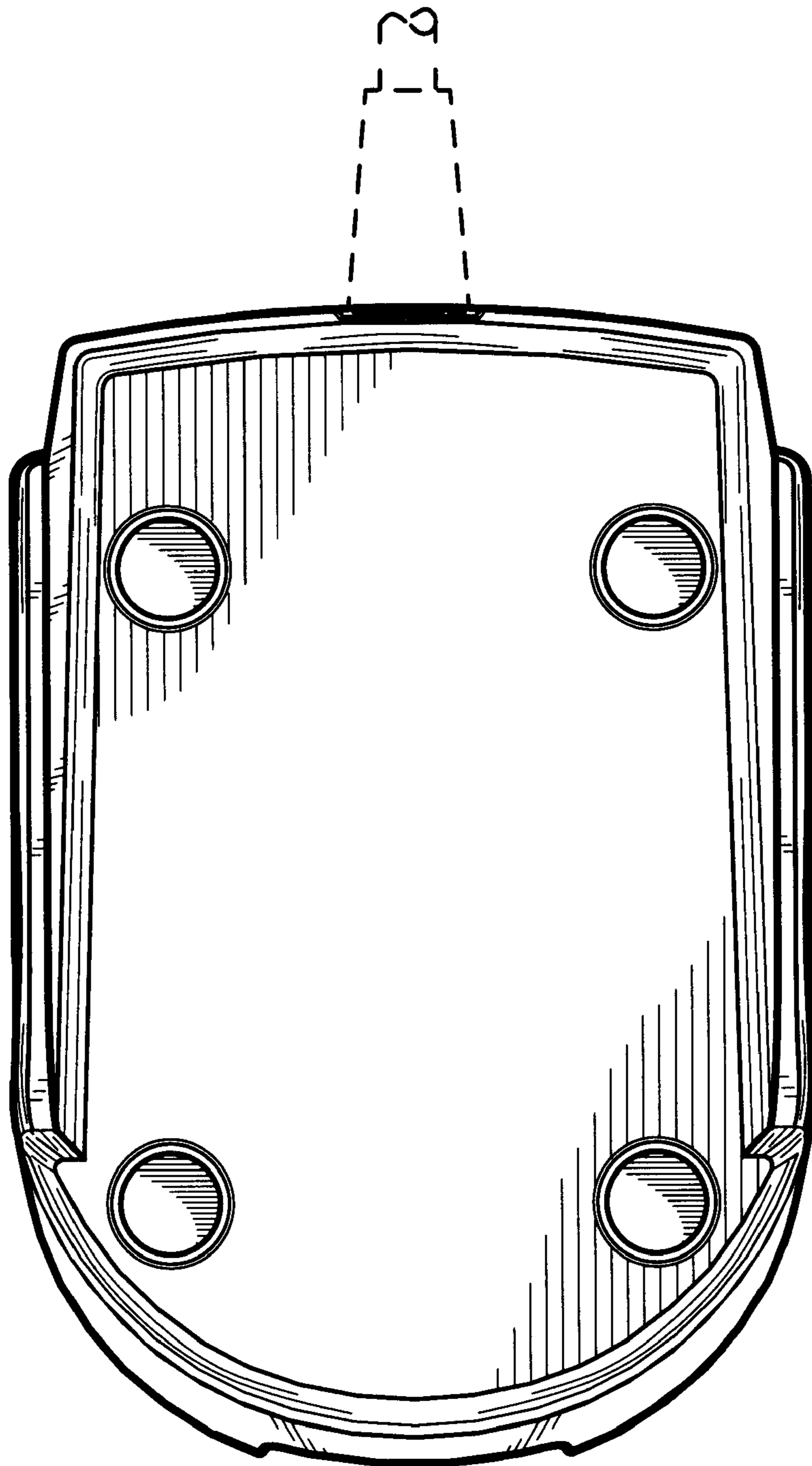


FIG. 6

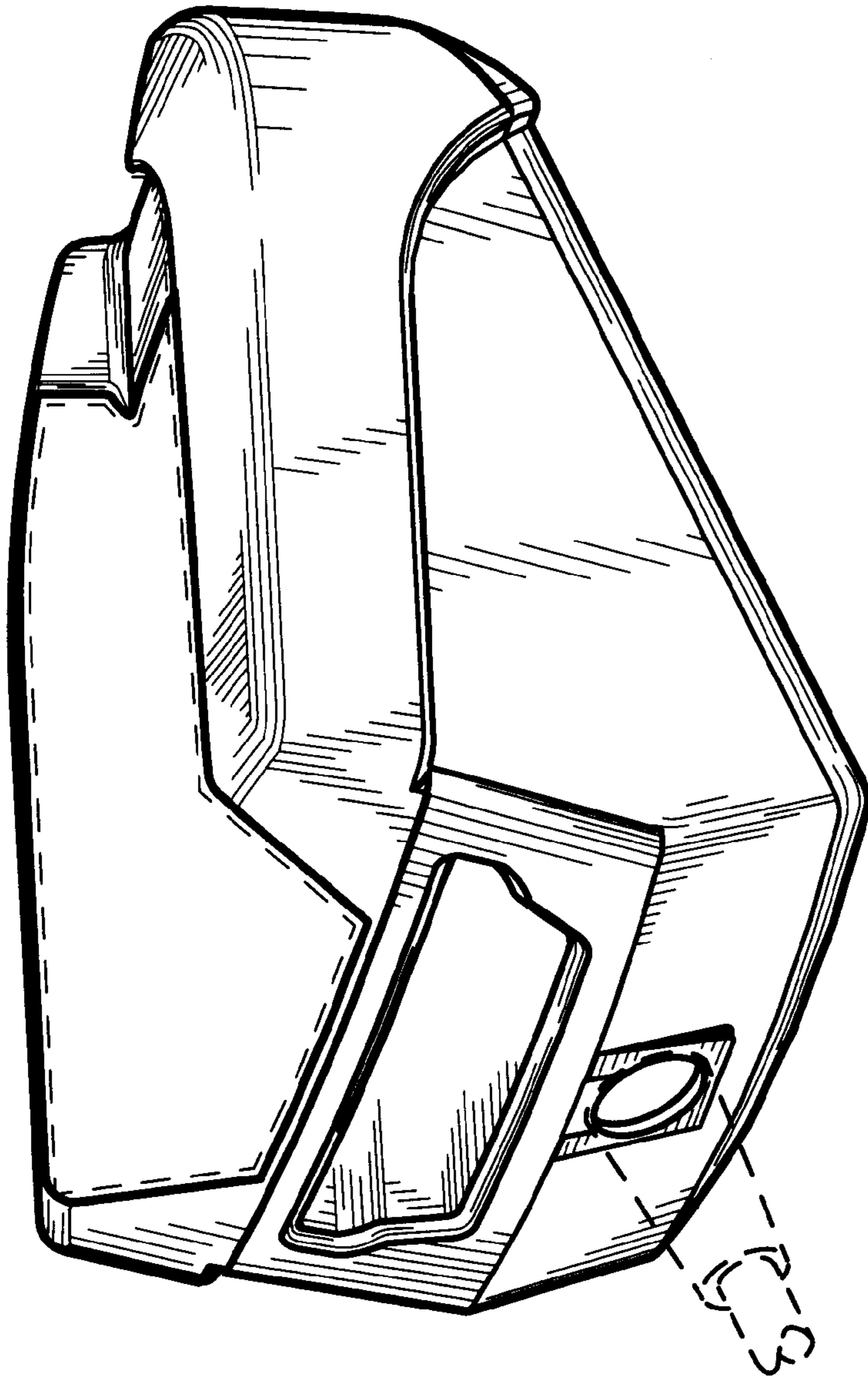


FIG. 7