



US00D444120S

(12) **United States Design Patent**
Smith

(10) **Patent No.:** **US D444,120 S**

(45) **Date of Patent:** **** Jun. 26, 2001**

- (54) **CONSOLE FOR VAN VEHICLES**
- (75) Inventor: **Daniel G. Smith**, Grand Prairie, TX (US)
- (73) Assignee: **Texas Saddlebags Industries, Ltd.**, Arlington, TX (US)
- (**) Term: **14 Years**
- (21) Appl. No.: **29/122,769**
- (22) Filed: **May 3, 2000**

- D. 352,495 * 11/1994 Mawhinney et al. D12/419
- D. 358,124 * 5/1995 Landry D12/423
- D. 359,266 * 6/1995 Karp et al. D12/419
- D. 363,698 * 10/1995 Smith D12/419
- D. 368,890 * 4/1996 Morris D12/419
- D. 370,887 * 6/1996 Duguid D12/424
- D. 374,857 * 10/1996 Diem D12/419
- D. 375,480 * 11/1996 Smith D12/419
- D. 375,931 * 11/1996 Ferrigan D12/419
- D. 397,083 * 8/1998 Smith D12/419
- D. 399,483 * 10/1998 Paredes, Jr. D12/424
- D. 408,349 * 4/1999 Smith D12/424

* cited by examiner

Related U.S. Application Data

- (62) Division of application No. 29/114,463, filed on Nov. 24, 1999, now Pat. No. Des. 430,535.
- (51) **LOC (7) Cl.** **12-16**
- (52) **U.S. Cl.** **D12/419**
- (58) **Field of Search** D2/415, 419-421, D2/425; 224/42.11, 539-543, 400, 926, 536, 928, 548, 275; 296/37.1-37.8, 37.12, 37.16

Primary Examiner—Stacia Cadmus
(74) *Attorney, Agent, or Firm*—Daniel Rubin

(57) **CLAIM**

The ornamental design for a console for van vehicles, as shown and described.

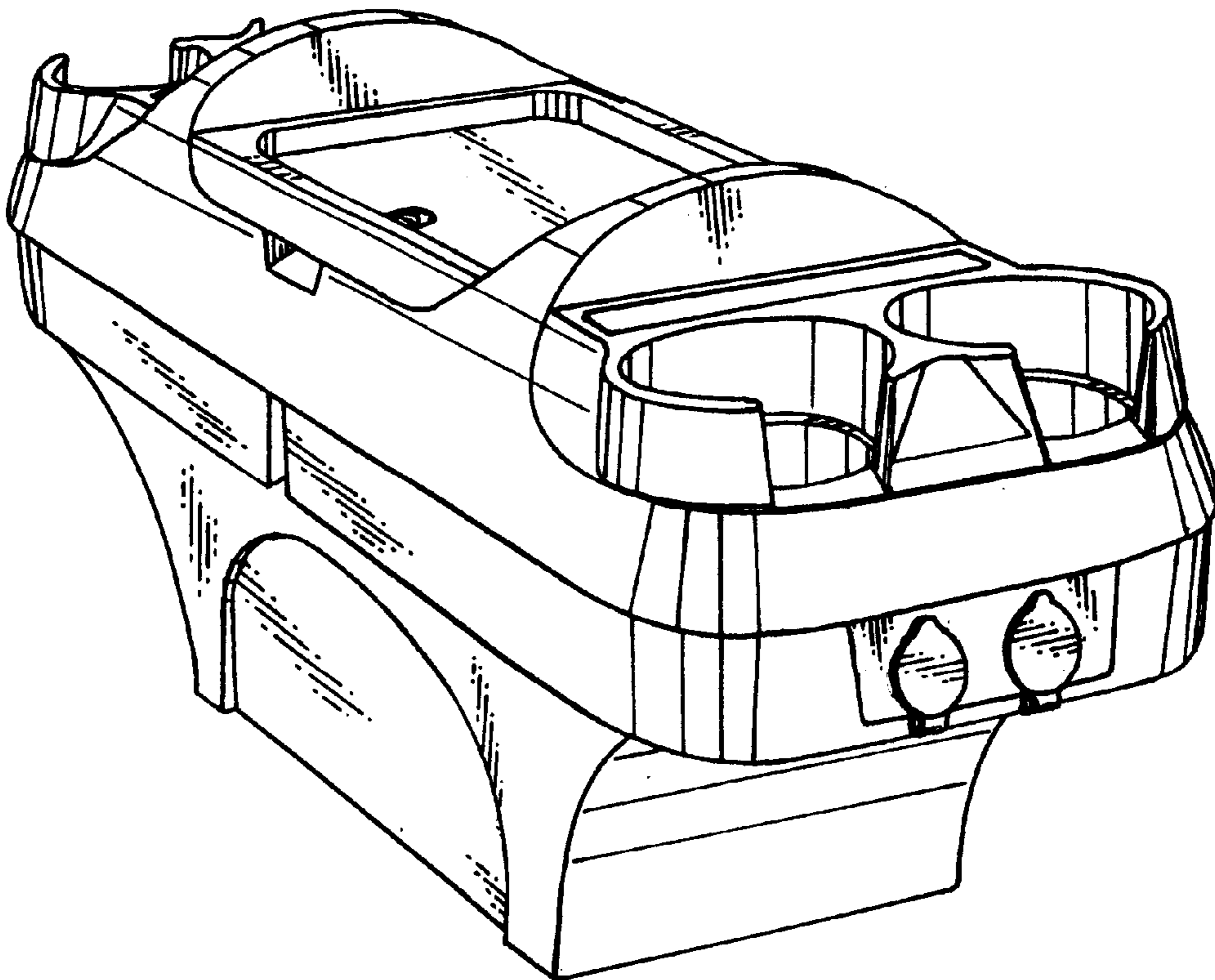
DESCRIPTION

FIG. 1 is a left side perspective view of the console for van vehicles hereof showing my new design; FIG. 2 is a reduced left side elevational view thereof; FIG. 3 is a reduced front elevation view thereof; FIG. 4 is reduced rear elevation view thereof; and, FIG. 5 is a reduced top plan view thereof.

(56) **References Cited**
U.S. PATENT DOCUMENTS

- D. 271,634 * 12/1983 Rockwell D12/419
- D. 304,263 * 10/1989 Mull D12/419

1 Claim, 2 Drawing Sheets



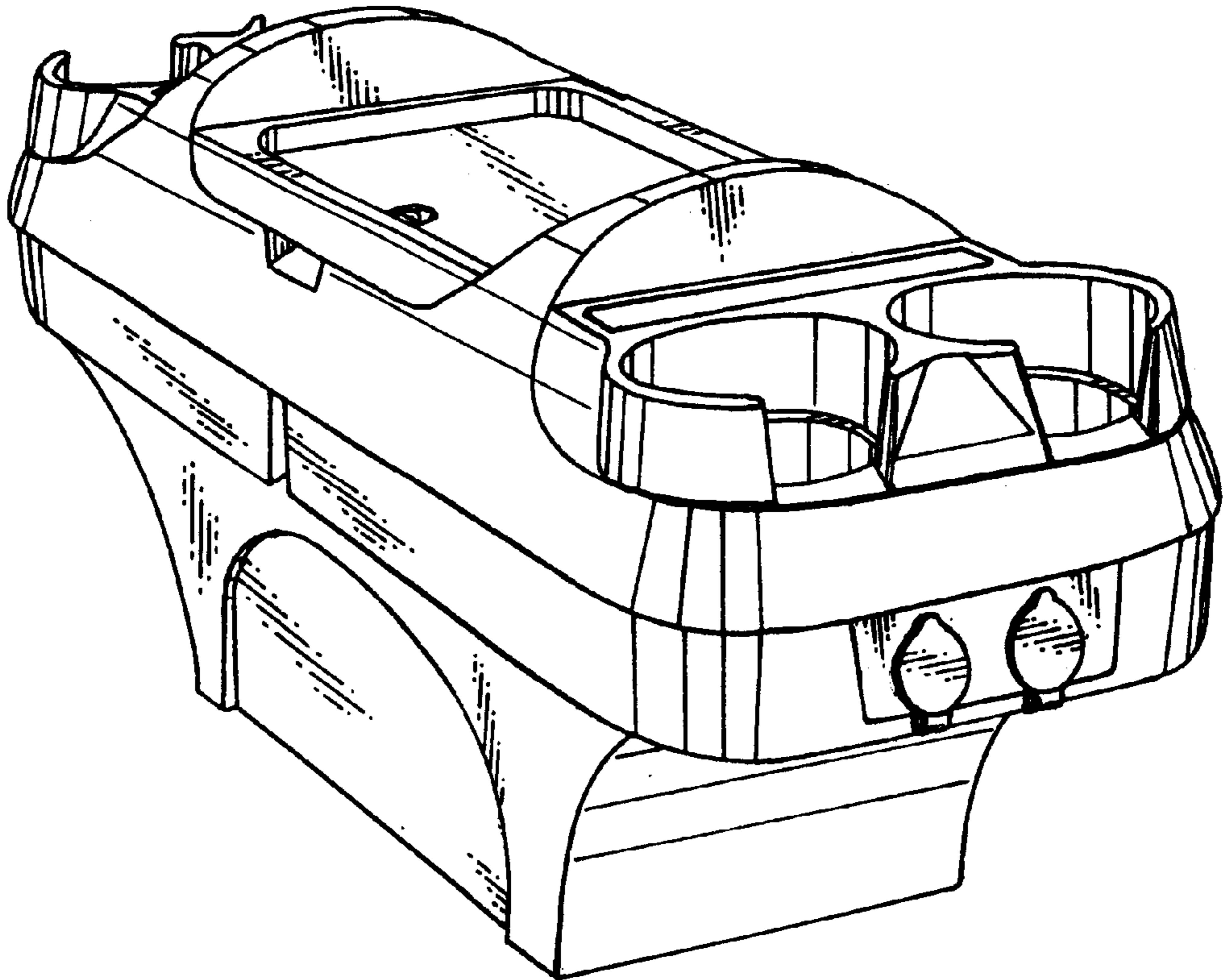


Fig. 1

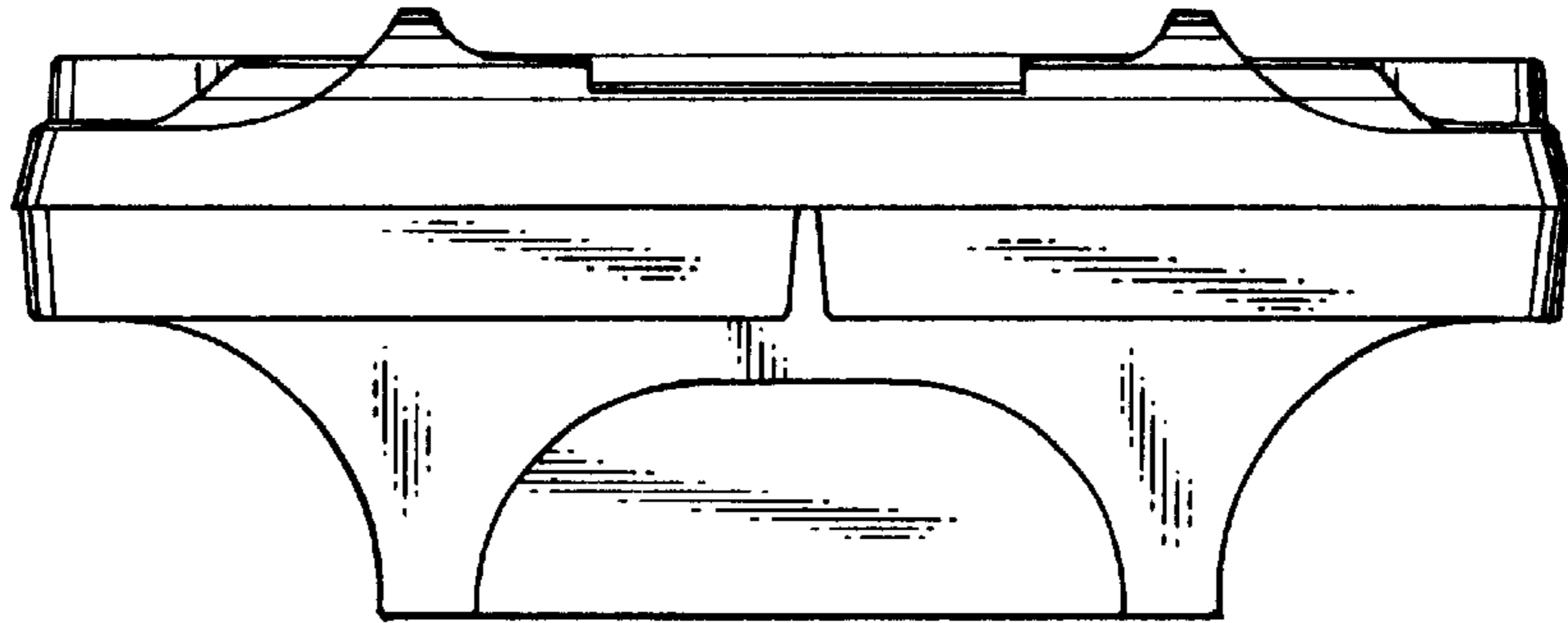


Fig. 2

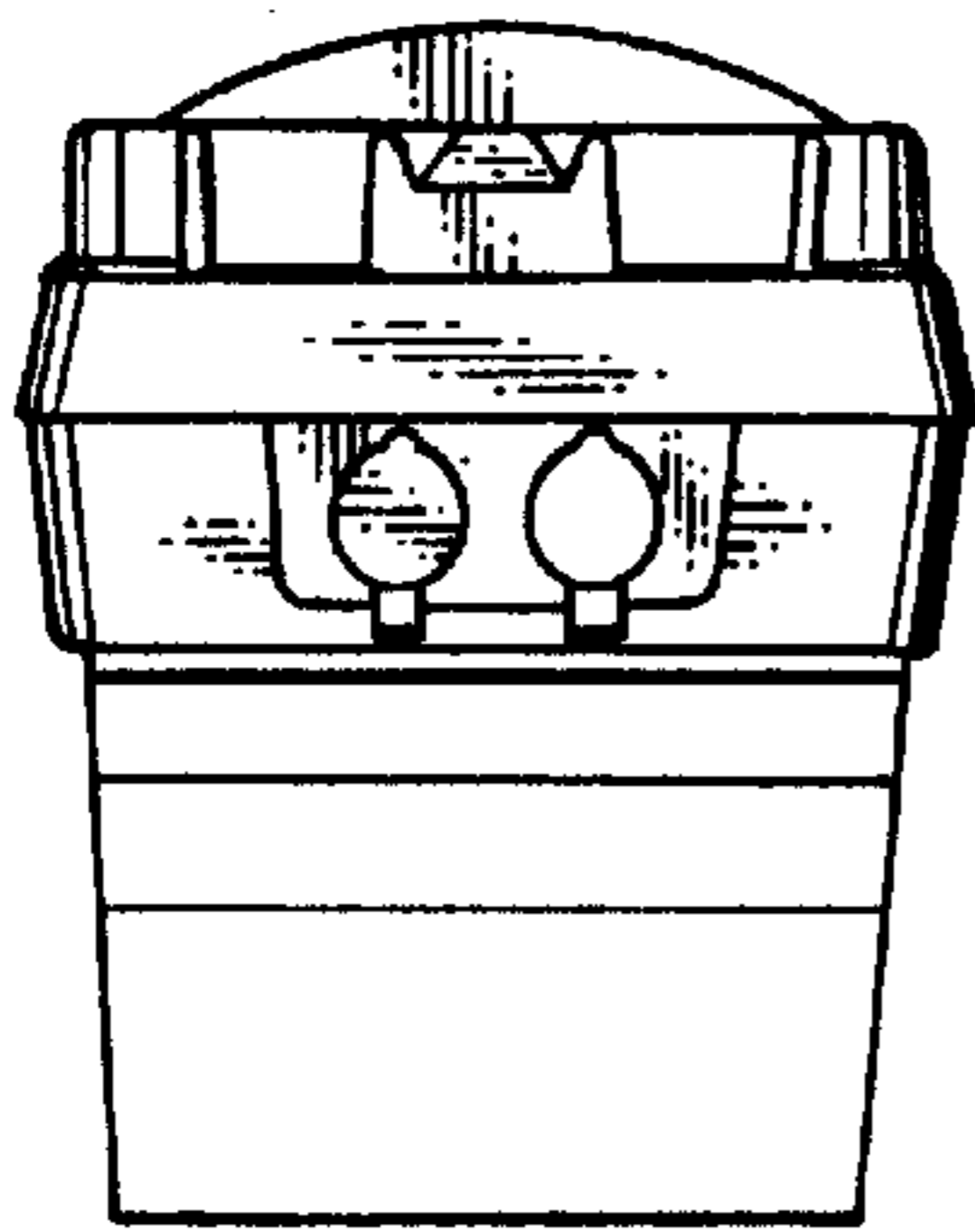


Fig. 3

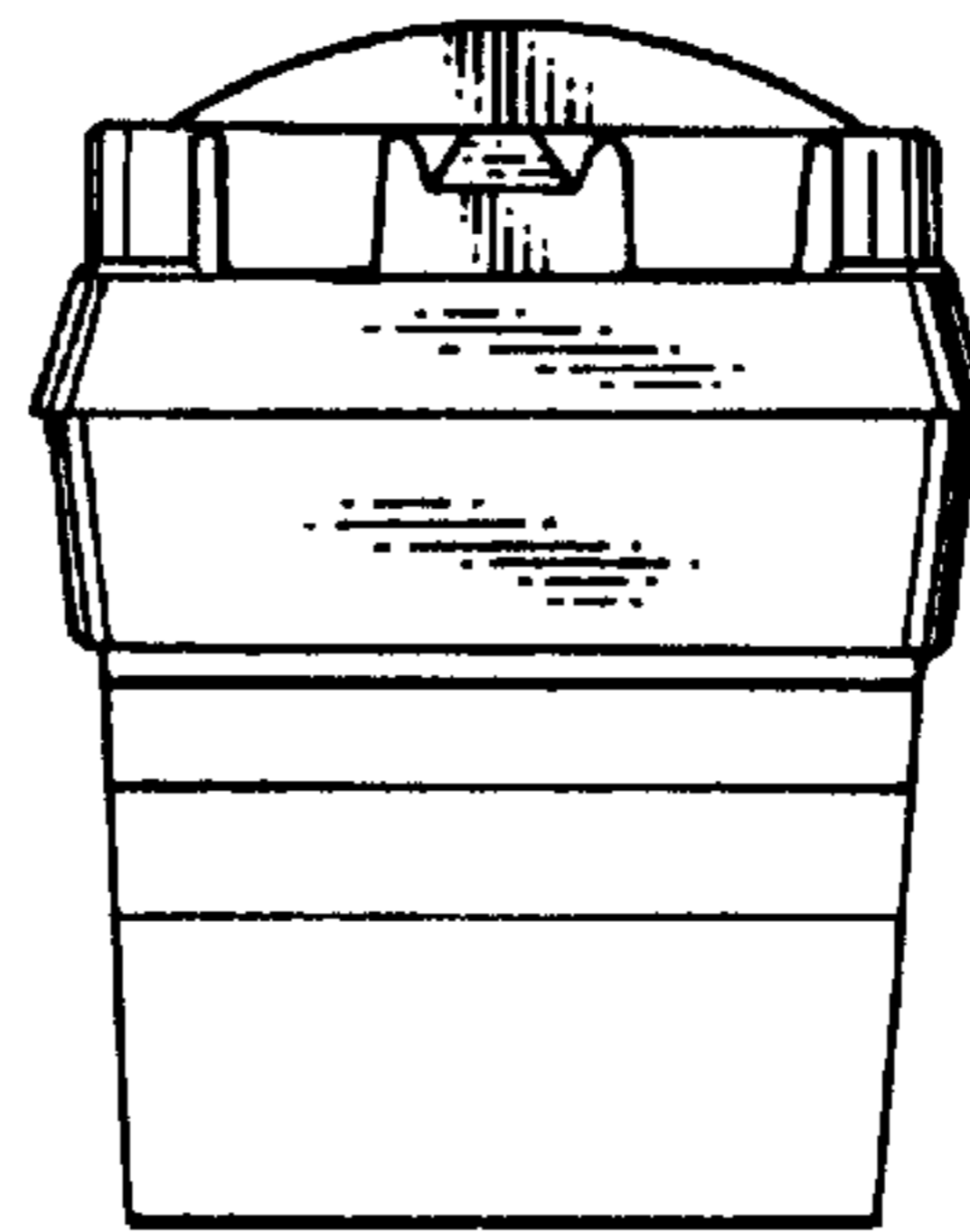


Fig. 4

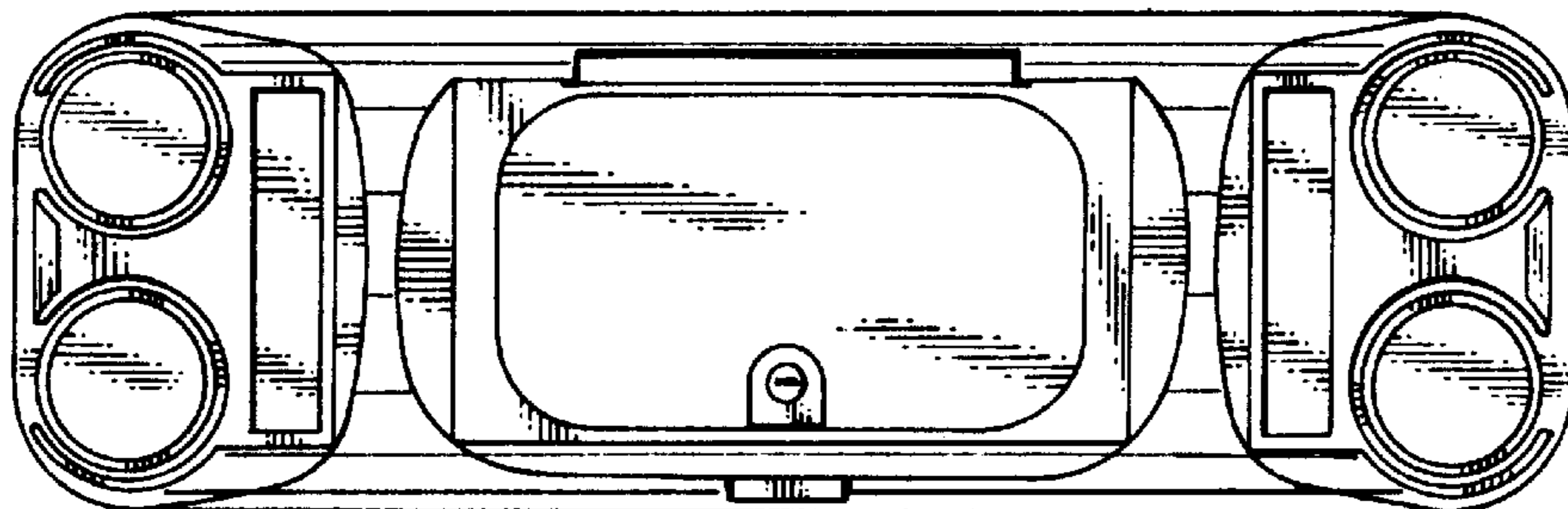


Fig. 5