



US00D444118S

(12) **United States Design Patent**
Chung

(10) **Patent No.:** **US D444,118 S**

(45) **Date of Patent:** **** Jun. 26, 2001**

(54) **AUTOMOTIVE WHEEL**

(75) **Inventor:** **Suny Chung**, Placentia, CA (US)

(73) **Assignee:** **Data Tech America, Inc**, Cerritos, CA (US)

(**) **Term:** **14 Years**

(21) **Appl. No.:** **29/133,032**

(22) **Filed:** **Nov. 20, 2000**

(51) **LOC (7) Cl.** **12-16**

(52) **U.S. Cl.** **D12/211**

(58) **Field of Search** D12/204-211;
301/37.1, 64.1, 65

D. 432,972	*	10/2000	Chung	D12/209
D. 436,339	*	1/2001	Fitzgerald	D12/209
D. 436,907	*	1/2001	Ong	D12/209
D. 438,504	*	3/2001	Muzzarelli	D12/211
D. 439,212	*	3/2001	Neeper	D12/211

* cited by examiner

Primary Examiner—Stacia Cadmus

(74) *Attorney, Agent, or Firm*—G. Donald Weber, Jr.

(57) **CLAIM**

The ornamental design for an automotive wheel, as shown and described.

DESCRIPTION

FIG. 1 is an oblique view of the automotive wheel of the instant invention; and,

FIG. 2 is a side elevation view of the automotive wheel of the instant invention.

The broken line showing of environment is for illustrative purposes only and forms no part of the claimed design.

(56) **References Cited**

U.S. PATENT DOCUMENTS

D. 413,852	*	9/1999	Cullen	D12/209
D. 418,798	*	1/2000	Muzzarelli et al.	D12/211
D. 423,446	*	4/2000	Chung	D12/211
D. 431,517	*	10/2000	Donikoglu	D12/209

1 Claim, 1 Drawing Sheet

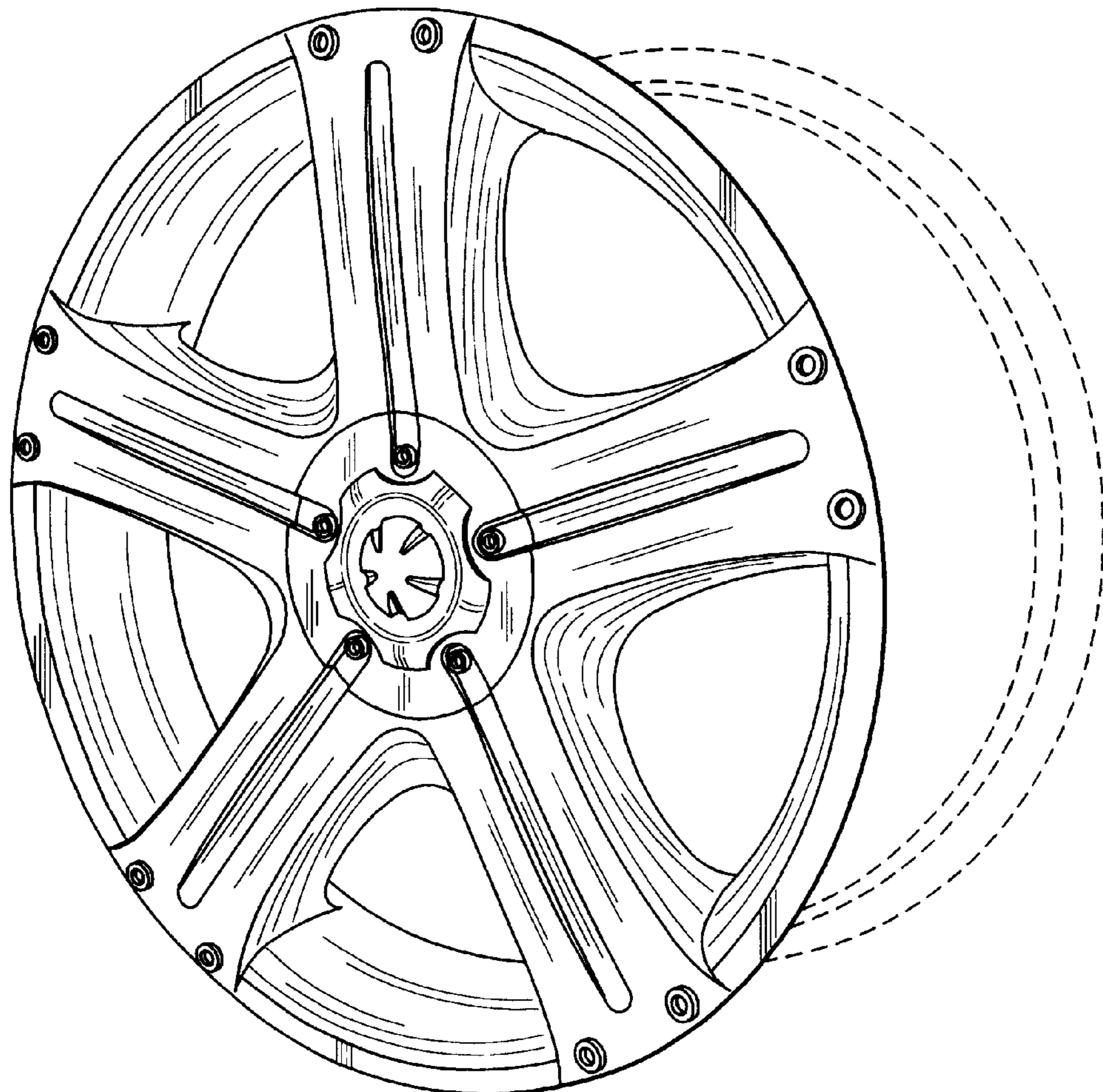


Fig-1

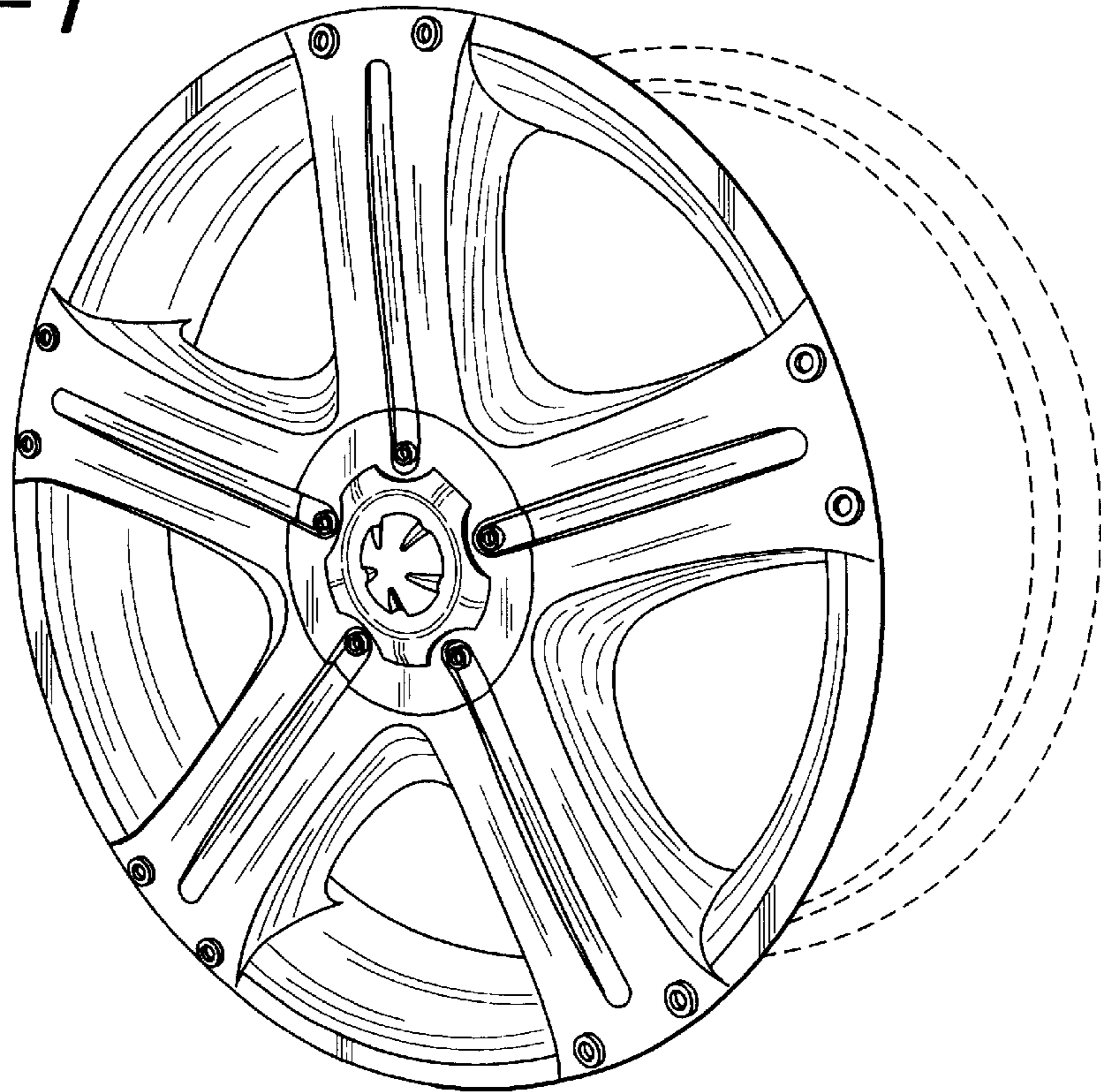


Fig-2

