



US00D444116S

(12) **United States Design Patent**
Liao

(10) **Patent No.:** **US D444,116 S**

(45) **Date of Patent:** **** Jun. 26, 2001**

(54) **DISK WHEEL FOR GOLF CART**
(75) Inventor: **Gordon Liao, Yung Kang (TW)**
(73) Assignee: **Unique Product & Design Co., Ltd.,
Tainan Hsien (TW)**
(**) Term: **14 Years**

D. 401,207 * 11/1998 Al-Sabah D12/209
D. 407,051 * 3/1999 Kelley D12/209
D. 407,053 * 3/1999 Al-Sabah D12/209
D. 415,462 * 10/1999 Hussaini et al. D12/209
D. 418,793 * 1/2000 Donikoglu D12/209
D. 418,796 * 1/2000 Flueckiger D12/209
D. 419,127 * 1/2000 Megugorac D12/209

* cited by examiner

(21) Appl. No.: **29/114,625**
(22) Filed: **Nov. 29, 1999**

Primary Examiner—Stacia Cadmus
(74) *Attorney, Agent, or Firm*—Pro-Techtor International
Services

(51) **LOC (7) Cl.** **12-16**
(52) **U.S. Cl.** **D12/209**
(58) **Field of Search** D12/204–211;
301/37.1, 64.1, 65

(57) **CLAIM**

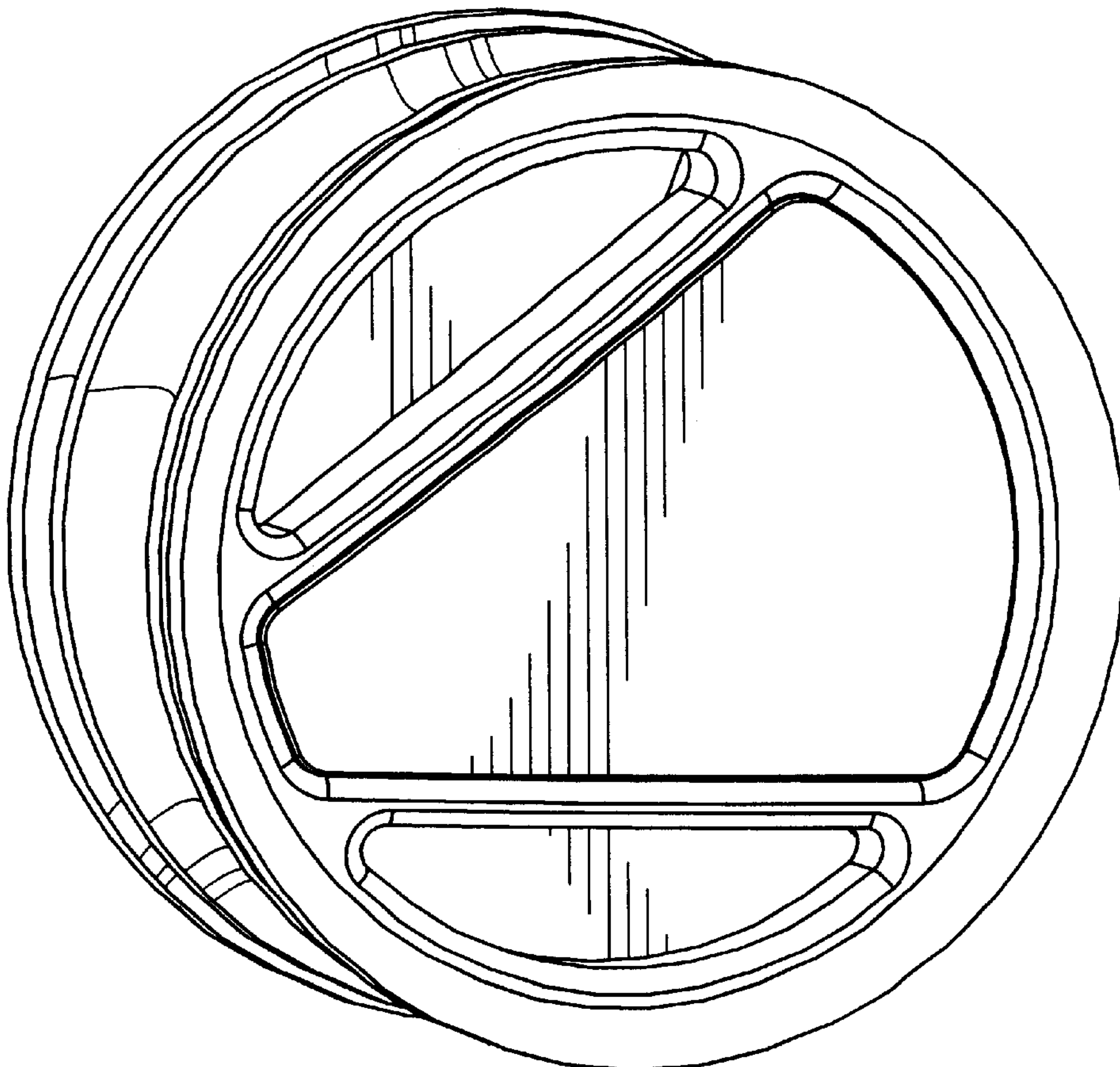
The ornamental design for a disk wheel for golf cart, as shown and described.

(56) **References Cited**
U.S. PATENT DOCUMENTS
D. 351,371 * 10/1994 Abele D12/209
D. 365,318 * 12/1995 Neeper D12/209
D. 372,696 * 8/1996 Tung D12/209
D. 378,506 * 3/1997 Stolz et al. D12/209
D. 384,931 * 10/1997 Neeper D12/209
D. 389,101 * 1/1998 Julien D12/209 X
D. 392,236 * 3/1998 Noriega D12/209
D. 392,610 * 3/1998 Noriega D12/209
D. 397,663 * 9/1998 Chrysanto D12/209

DESCRIPTION

FIG. 1 is a perspective view of a disk wheel for golf cart showing my new design;
FIG. 2 is a right side elevational view thereof;
FIG. 3 is a top plan view thereof;
FIG. 4 is a front elevational view thereof;
FIG. 5 is a bottom plan view thereof;
FIG. 6 is a left elevational view thereof; and,
FIG. 7 is a rear elevational view thereof.

1 Claim, 4 Drawing Sheets



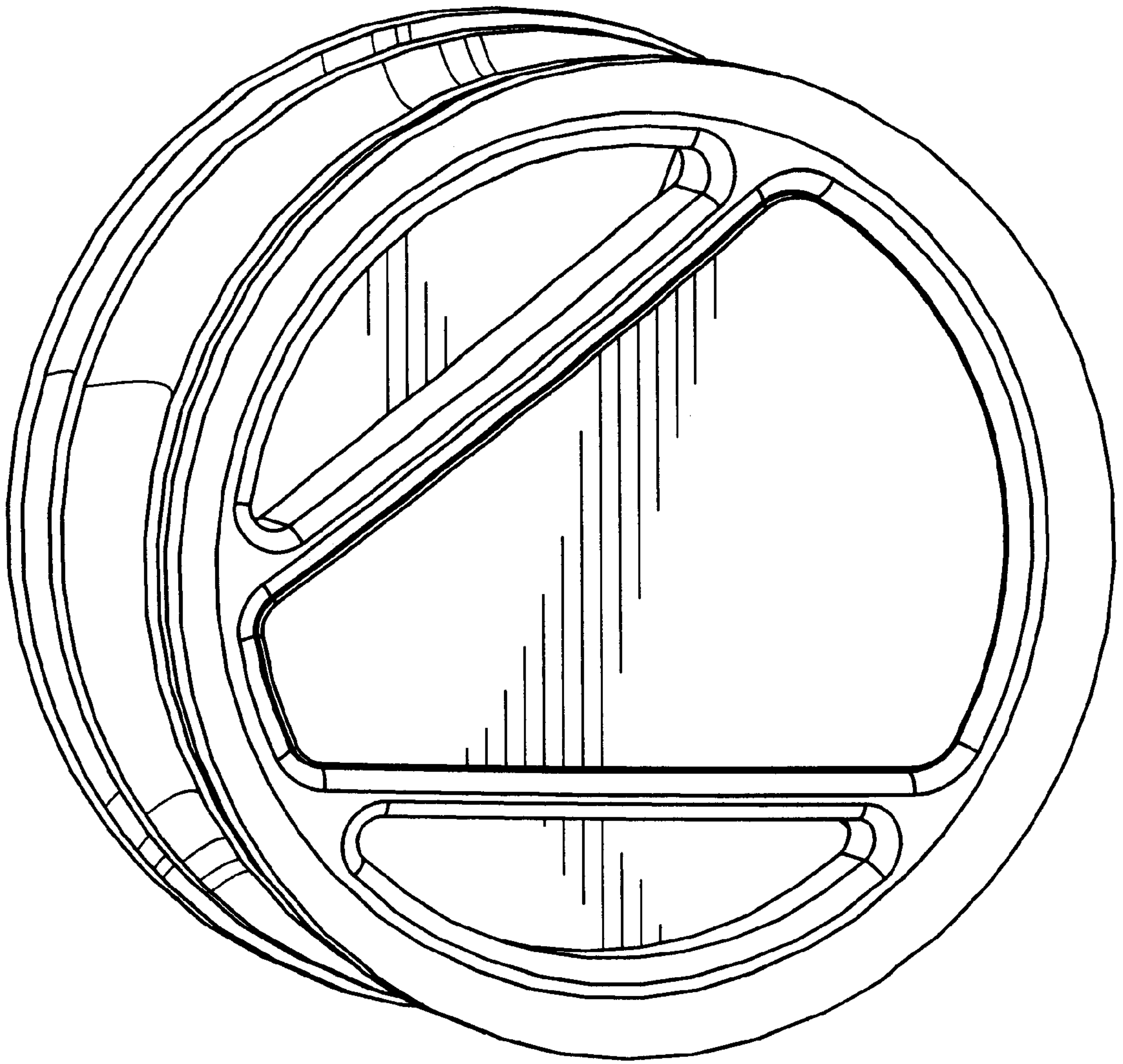


FIG. 1

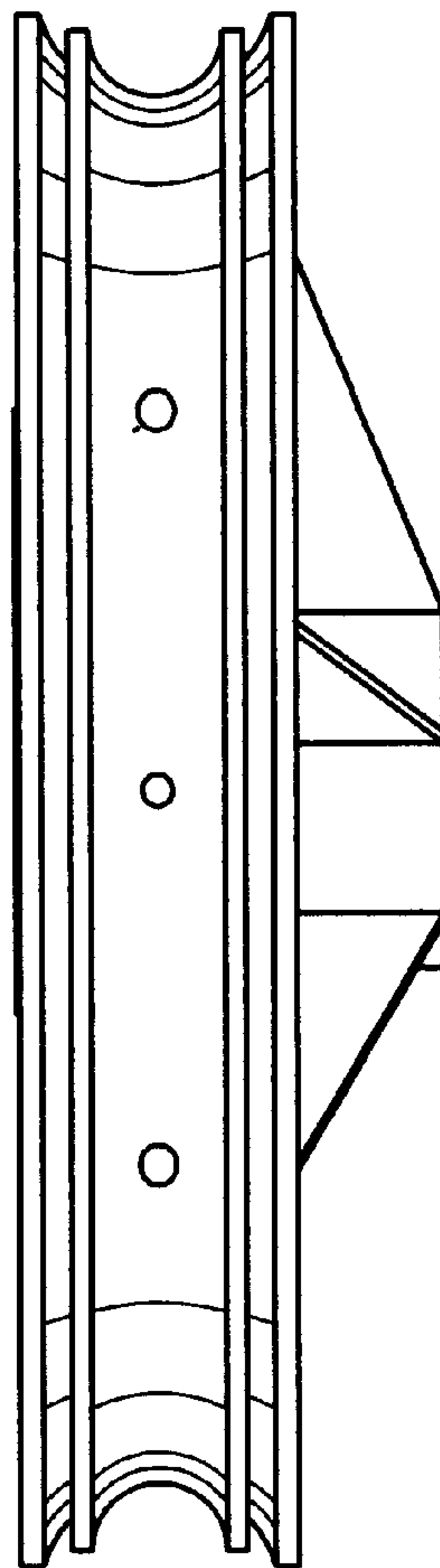


FIG. 2

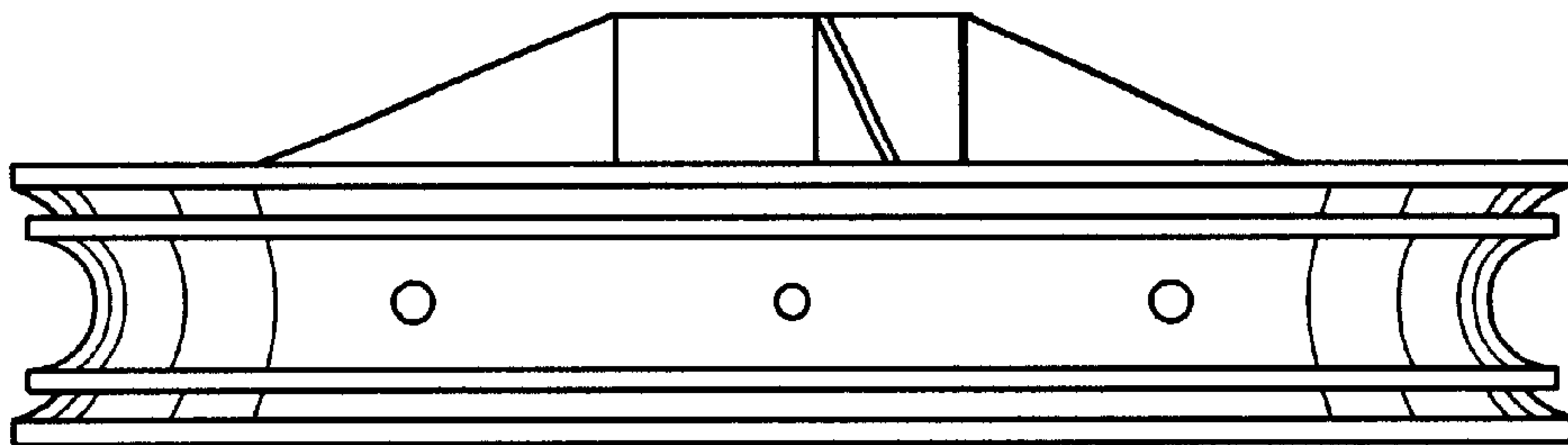


FIG. 3

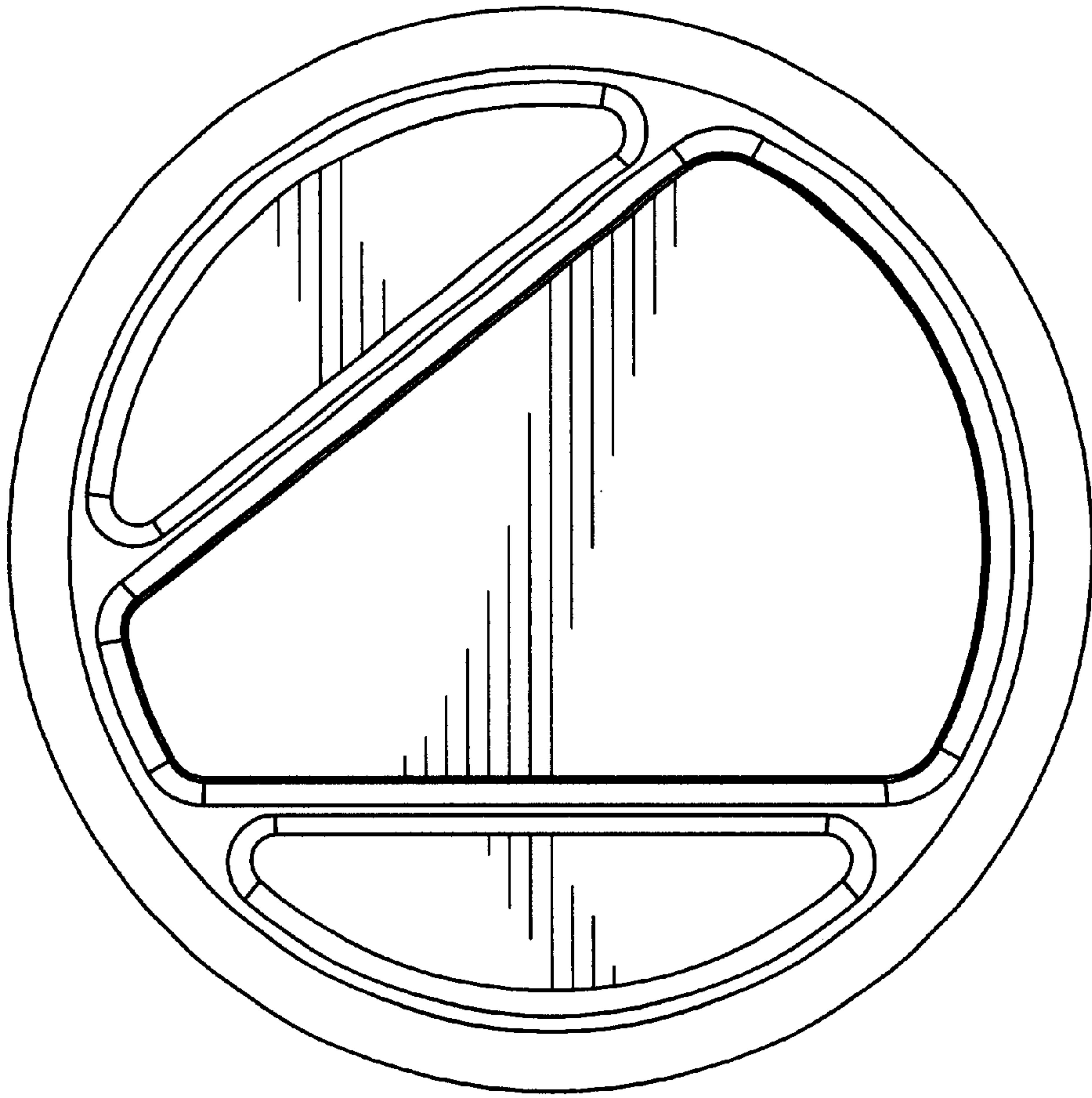


FIG. 4

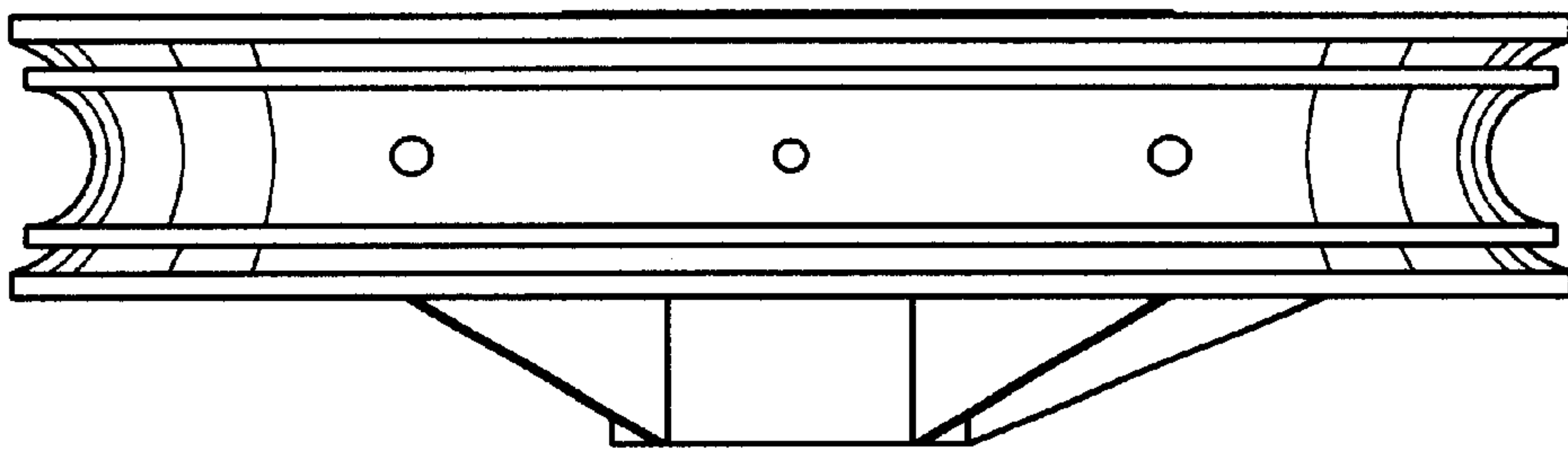


FIG. 5

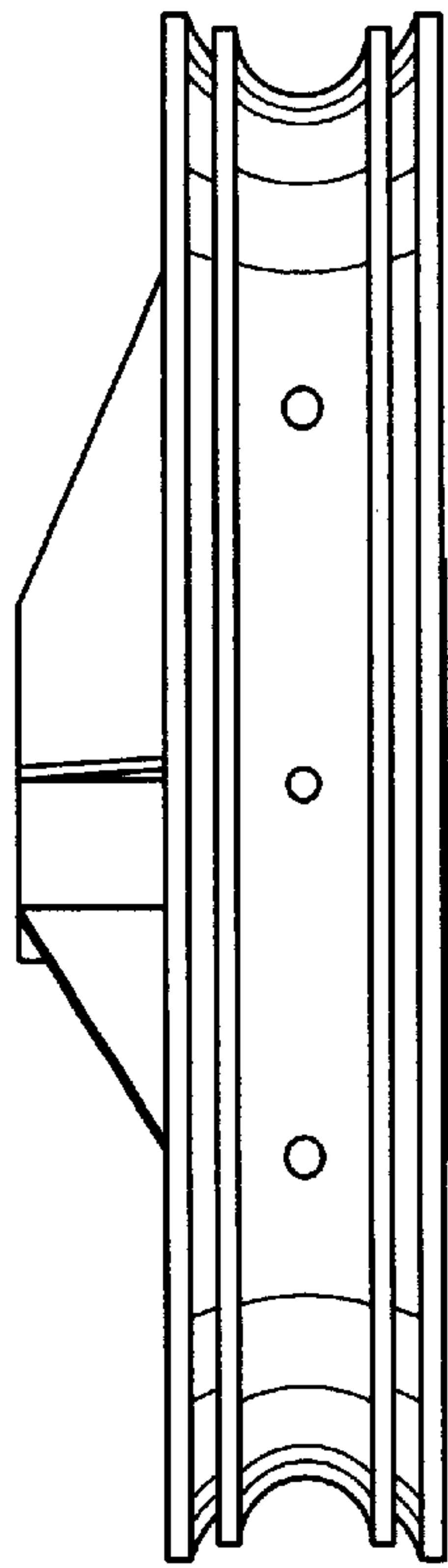


FIG. 6

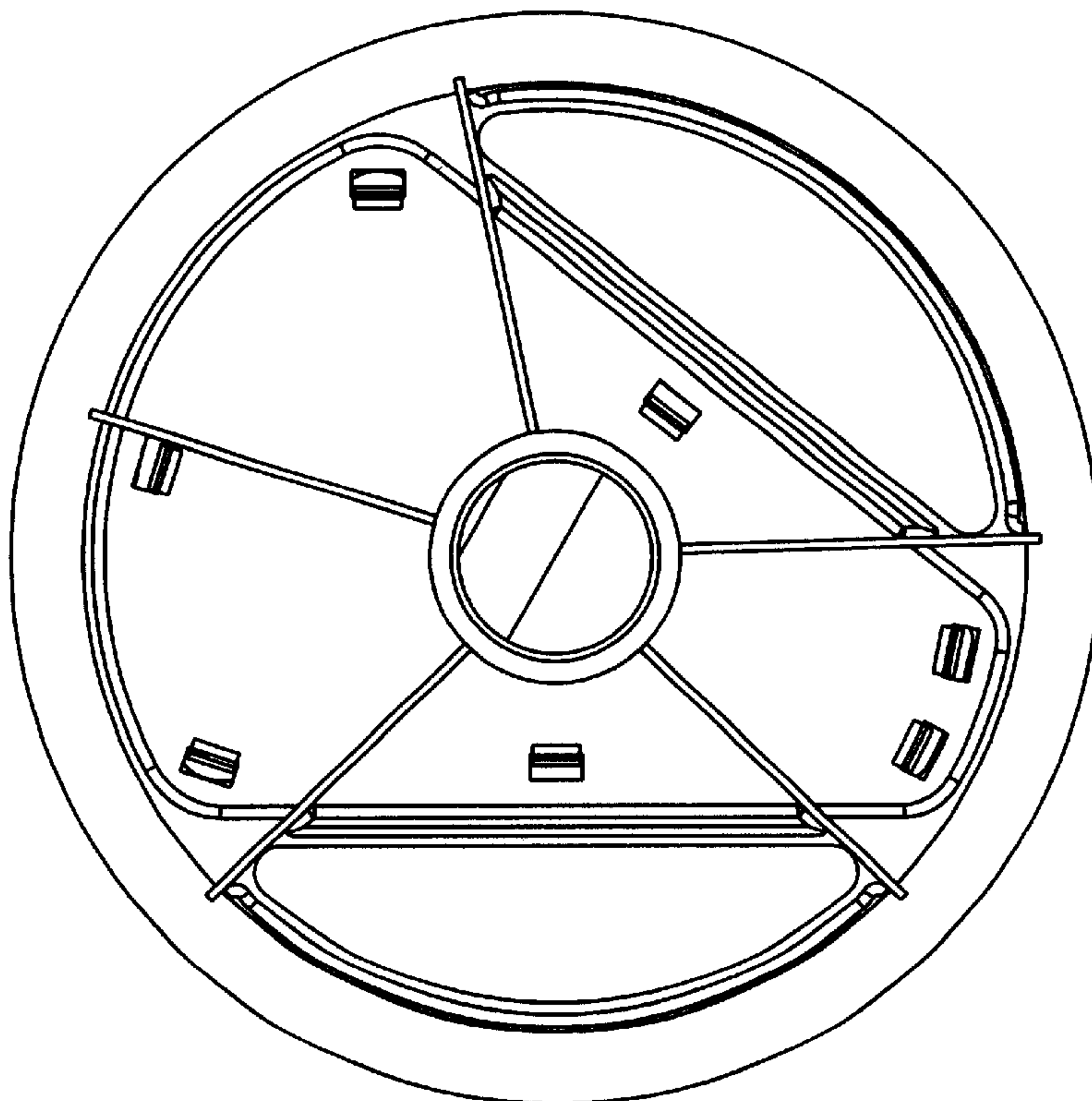


FIG. 7