



US00D444114S

(12) **United States Design Patent**
Saleen

(10) **Patent No.:** **US D444,114 S**

(45) **Date of Patent:** **** Jun. 26, 2001**

(54) **PAIR OF CAR PILLAR INSERTS**

(75) Inventor: **Stephen M. Saleen**, Dove Canyon, CA (US)

(73) Assignee: **Saleen Incorporated**, Irvine, CA (US)

(**) Term: **14 Years**

(21) Appl. No.: **29/116,004**

(22) Filed: **Dec. 22, 1999**

(51) **LOC (7) Cl.** **12-16**

(52) **U.S. Cl.** **D12/196**

(58) **Field of Search** D12/196, 86, 90-92;
280/785

(56) **References Cited**

U.S. PATENT DOCUMENTS

- D. 311,512 * 10/1990 Fioravanti D12/196
- D. 418,791 * 1/2000 Gabath D12/196

OTHER PUBLICATIONS

Road & Track Feb. 1998, p. 48, The pillar insert of a Super Stallion.*

* cited by examiner

Primary Examiner—Melody N. Brown

(74) *Attorney, Agent, or Firm*—Lyon & Lyon LLP

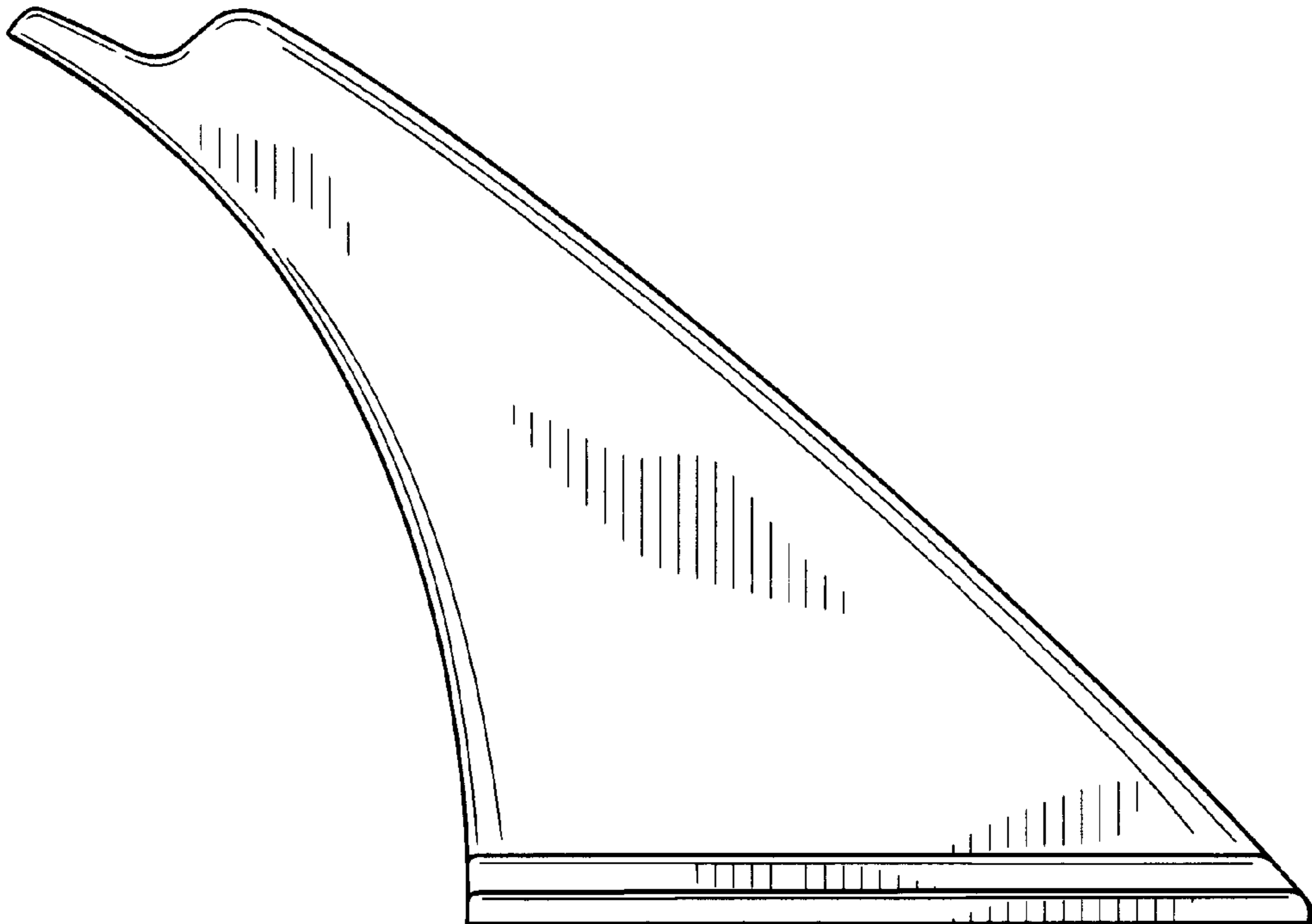
(57) **CLAIM**

The ornamental design for a pair of car pillar inserts, as shown and described.

DESCRIPTION

FIG. 1 is a front elevational view of a left side pillar insert of a pair of car pillar inserts showing my new design; FIG. 2 is a left side elevational view thereof; FIG. 3 is a right side elevational view thereof; FIG. 4 is a rear elevational view thereof; FIG. 5 is a top plan view thereof; FIG. 6 is a bottom plan view thereof; FIG. 7 is a front elevational view of a right side pillar insert of a pair of car pillar inserts; FIG. 8 is a left side elevational view of FIG. 7; FIG. 9 is a right side elevational view of FIG. 7; FIG. 10 is a rear elevational view of FIG. 7; FIG. 11 is a top plan view of FIG. 7; and, FIG. 12 is a bottom plan view of FIG. 7. The car shown as broken lines is for illustrative purposes only and forms no part of the claimed design.

1 Claim, 4 Drawing Sheets



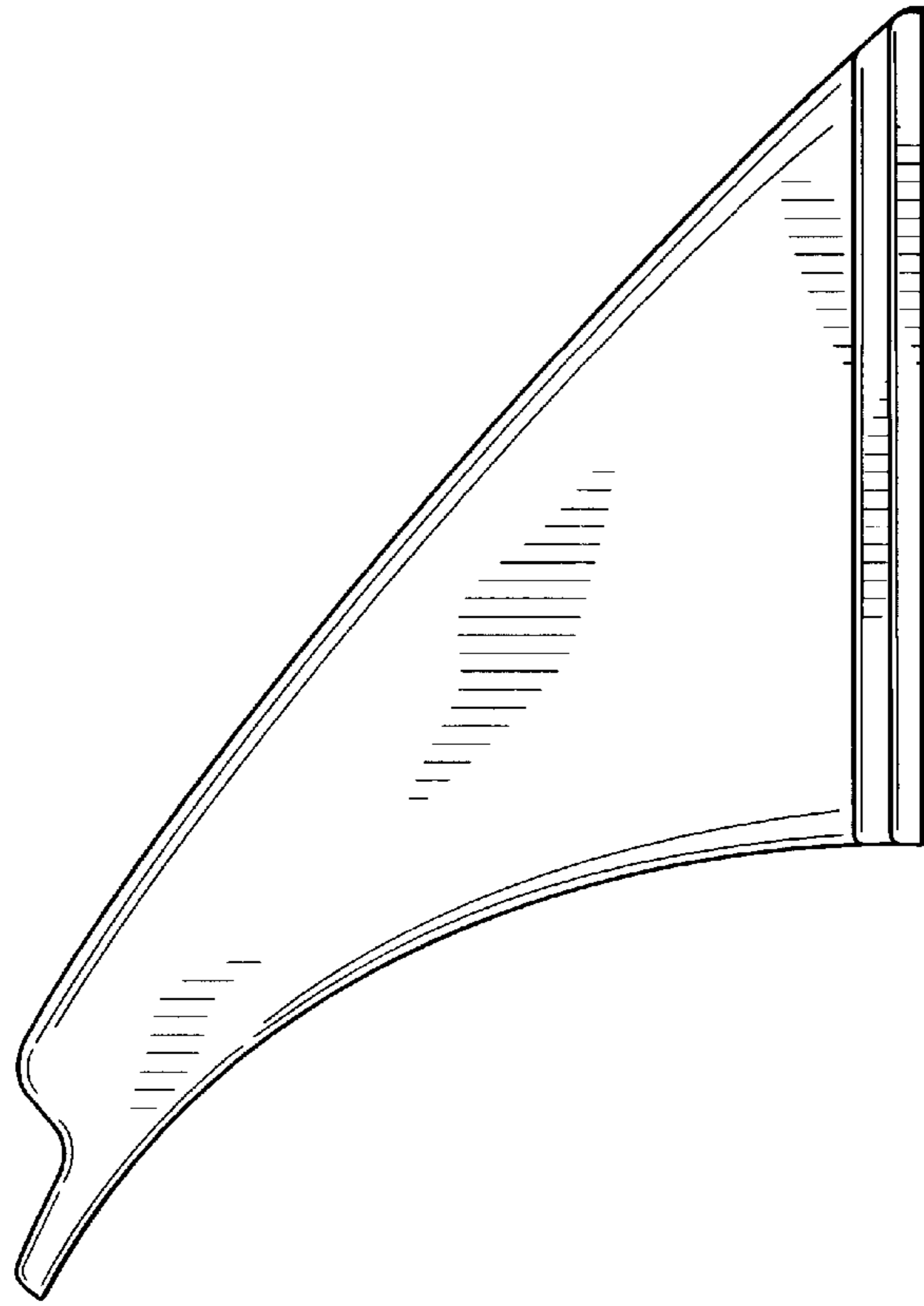


FIG. 1

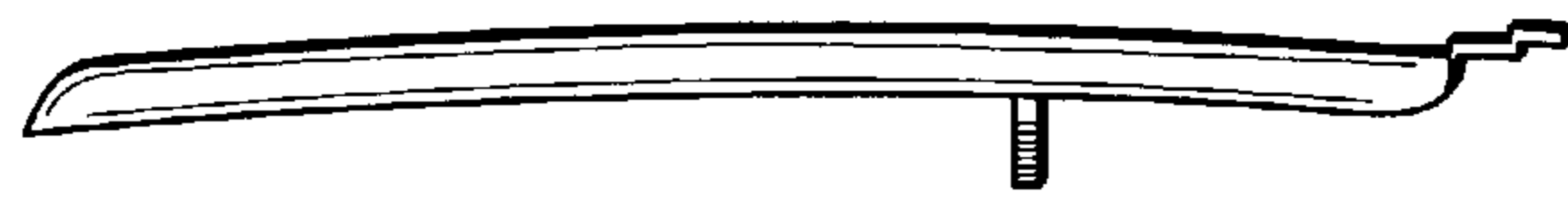


FIG. 2

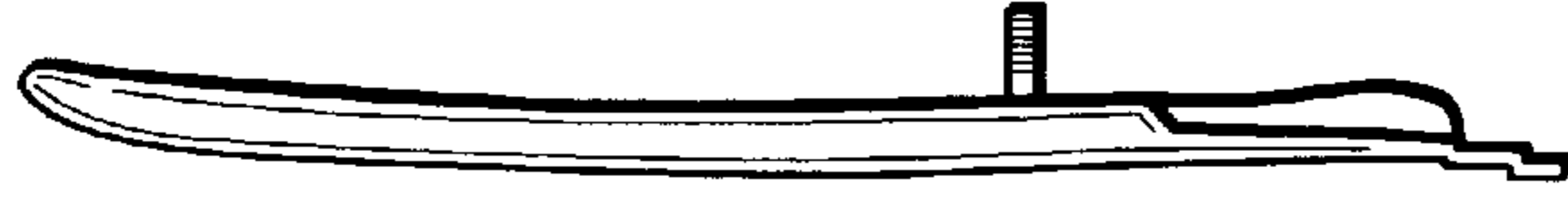


FIG. 3



FIG. 5

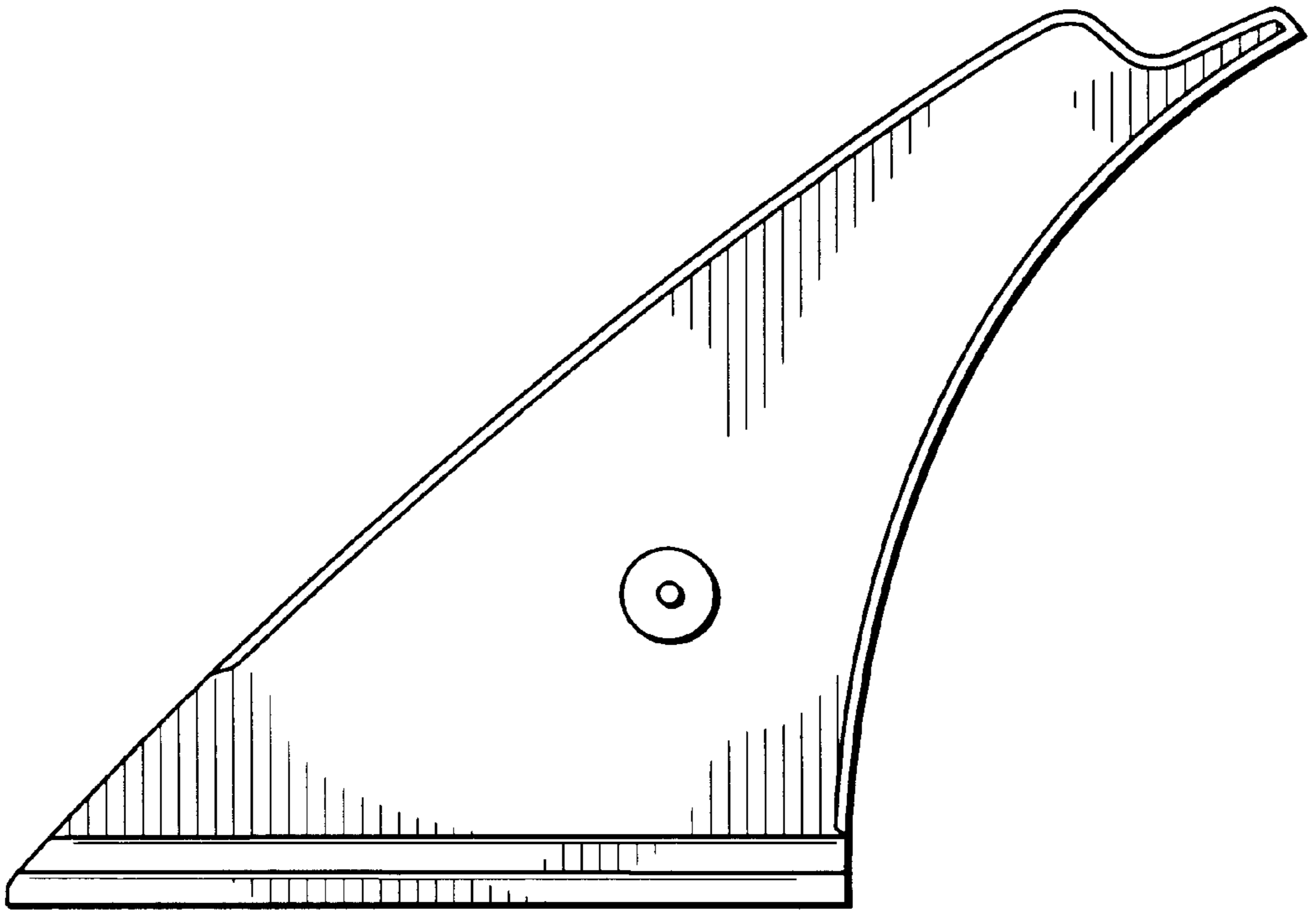


FIG. 4

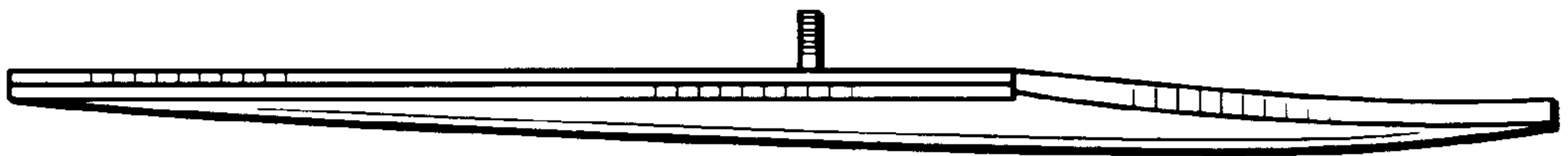


FIG. 6

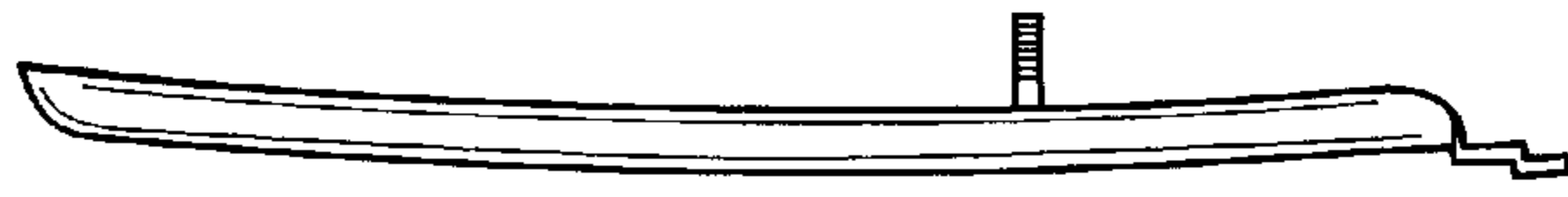


FIG. 9

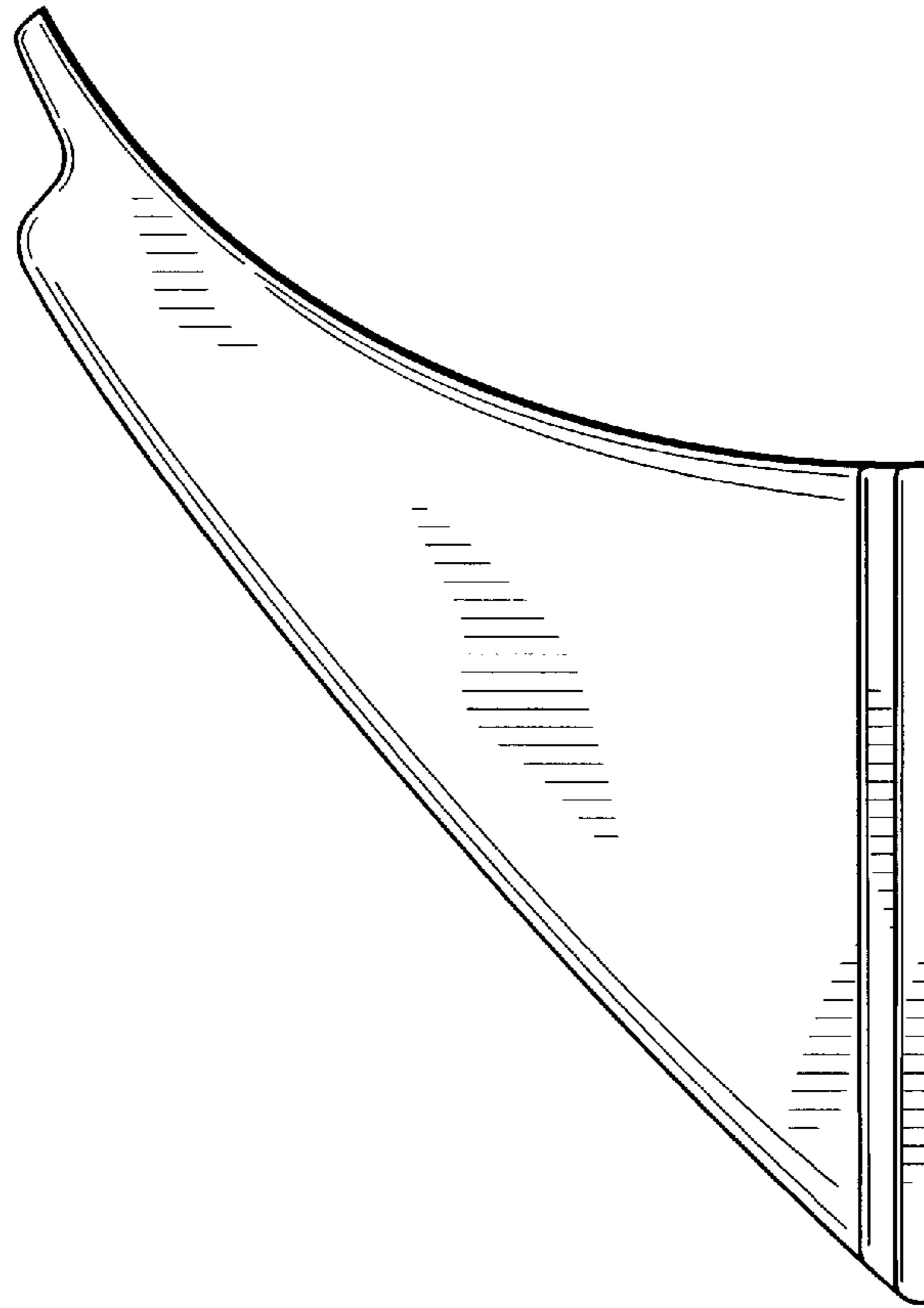


FIG. 7

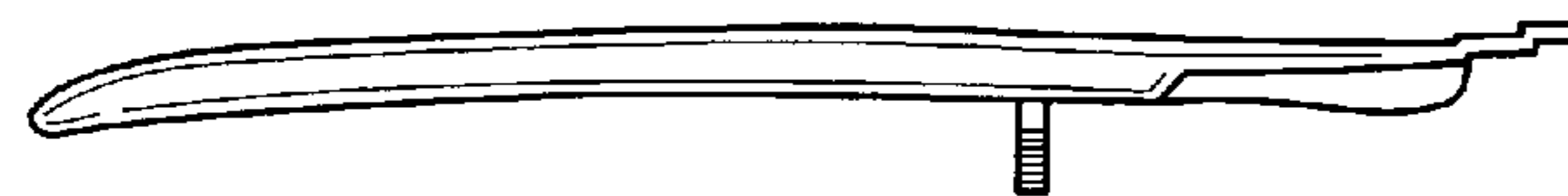


FIG. 8

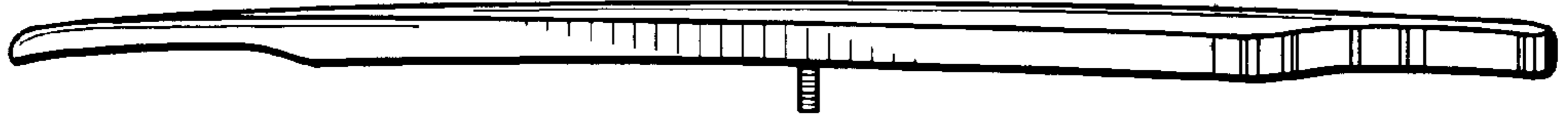


FIG. 11

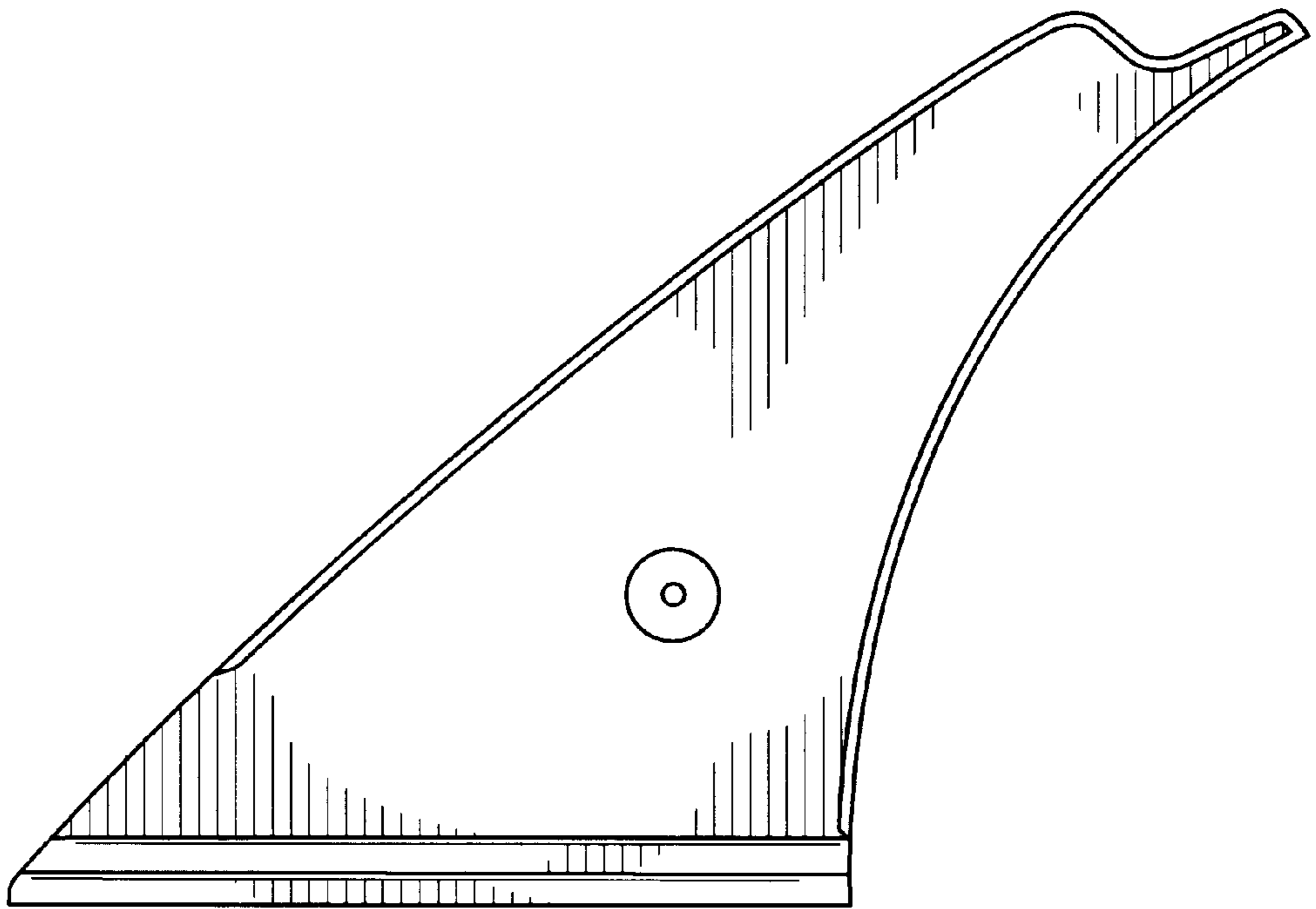


FIG. 10

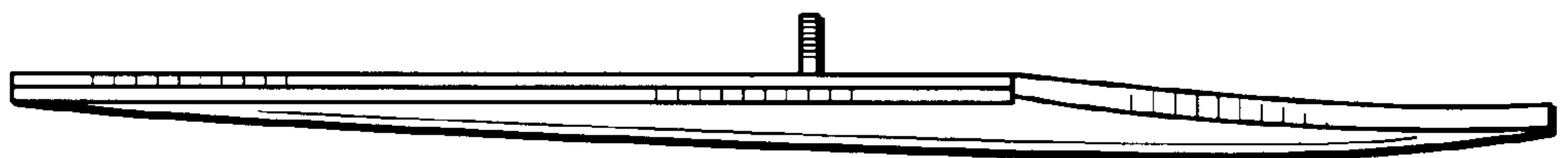


FIG. 12