



US00D444112S

(12) **United States Design Patent**  
**Shimazu**

(10) **Patent No.:** **US D444,112 S**  
(45) **Date of Patent:** **\*\* Jun. 26, 2001**

(54) **BUMPER HAVING A RADIATOR GRILL PORTION**

896204 1/1994 (JP) .  
896282 1/1994 (JP) .

(75) Inventor: **Yutaka Shimazu**, Aki-gun (JP)

\* cited by examiner

(73) Assignee: **Mazda Motor Corporation**, Hiroshima-ken (JP)

*Primary Examiner*—Melody N. Brown  
(74) *Attorney, Agent, or Firm*—Sidley & Austin; Hugh A. Abrams

(\*\*) Term: **14 Years**

(21) Appl. No.: **29/102,786**

(22) Filed: **Mar. 31, 1999**

(51) **LOC (7) Cl.** ..... **12-16**

(52) **U.S. Cl.** ..... **D12/169**

(58) **Field of Search** ..... D12/163, 169,  
D12/90-92; 180/68.6, 69.21, 68.1; 293/115,  
102

(56) **References Cited**

**U.S. PATENT DOCUMENTS**

- D. 307,124 \* 4/1990 Hayashi et al. .... D12/163
- D. 312,606 \* 12/1990 Guelfi et al. .... D12/163
- D. 361,968 \* 9/1995 Oyama ..... D12/163
- D. 366,859 \* 2/1996 Davis, Jr. .... D12/163
- D. 400,836 \* 11/1998 Reynard et al. .... D12/163
- D. 403,285 \* 12/1998 Abalos et al. .... D12/163
- D. 404,697 \* 1/1999 Siltavuori ..... D12/163
- D. 411,493 \* 1/1999 Davis, Jr. .... D12/163

**FOREIGN PATENT DOCUMENTS**

895261 1/1994 (JP) .

(57) **CLAIM**

The ornamental design for a bumper having a radiator grill portion, as shown and described.

**DESCRIPTION**

FIG. 1 is a perspective view of a bumper having a radiator grill portion;  
 FIG. 2 is a front view of the bumper having a radiator grill portion;  
 FIG. 3 is a rear view of the bumper having a radiator grill portion;  
 FIG. 4 is a left side view of the bumper having a radiator grill portion;  
 FIG. 5 is a right side view of the bumper having a radiator grill portion;  
 FIG. 6 is a top view of the bumper having a radiator grill portion; and,  
 FIG. 7 is a bottom view of the bumper having a radiator grill portion.

**1 Claim, 6 Drawing Sheets**

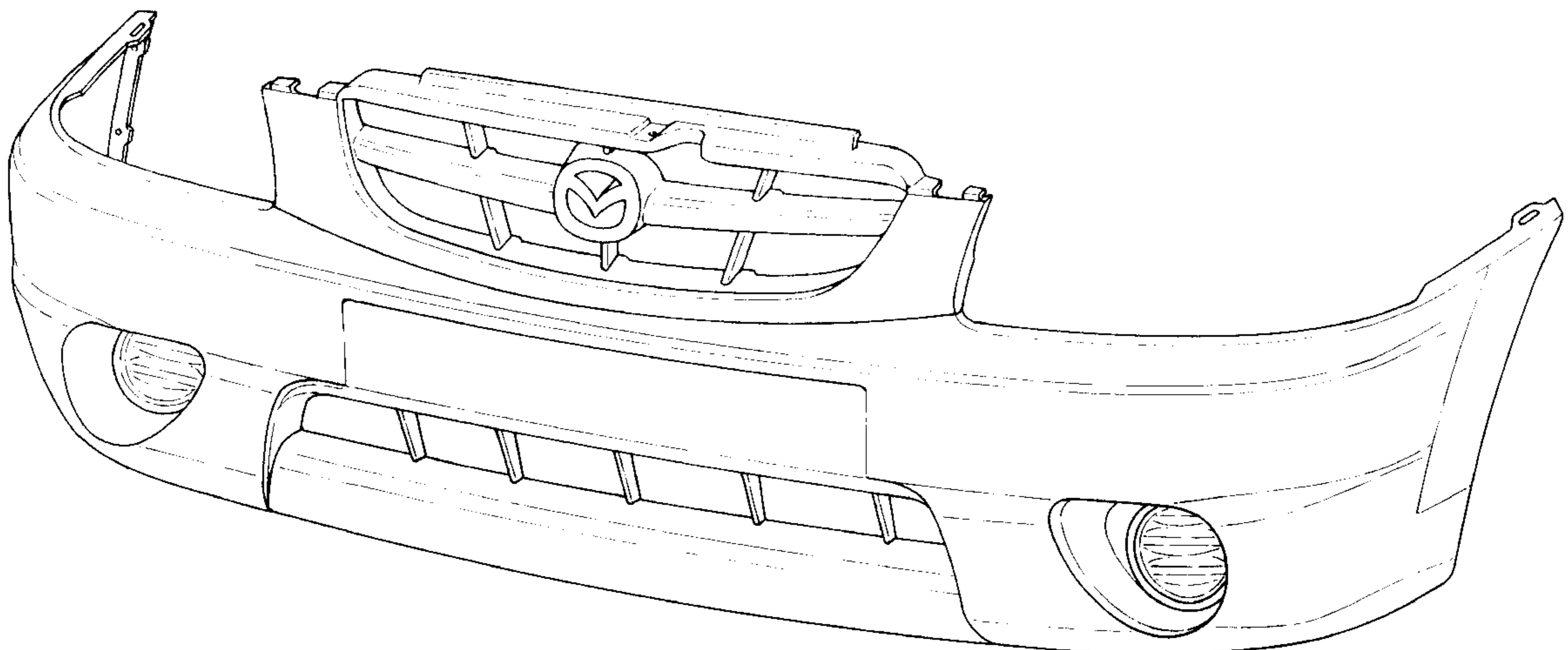


FIG. 1

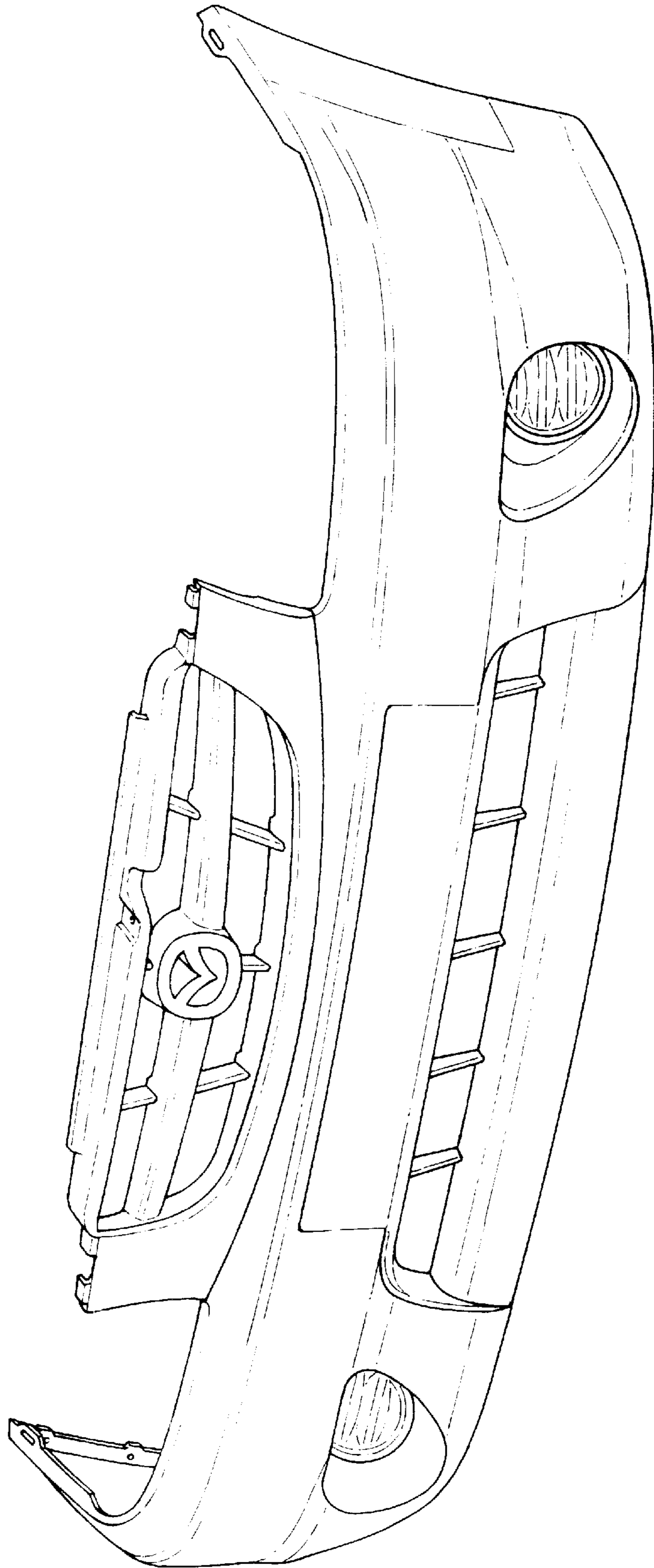


FIG. 2

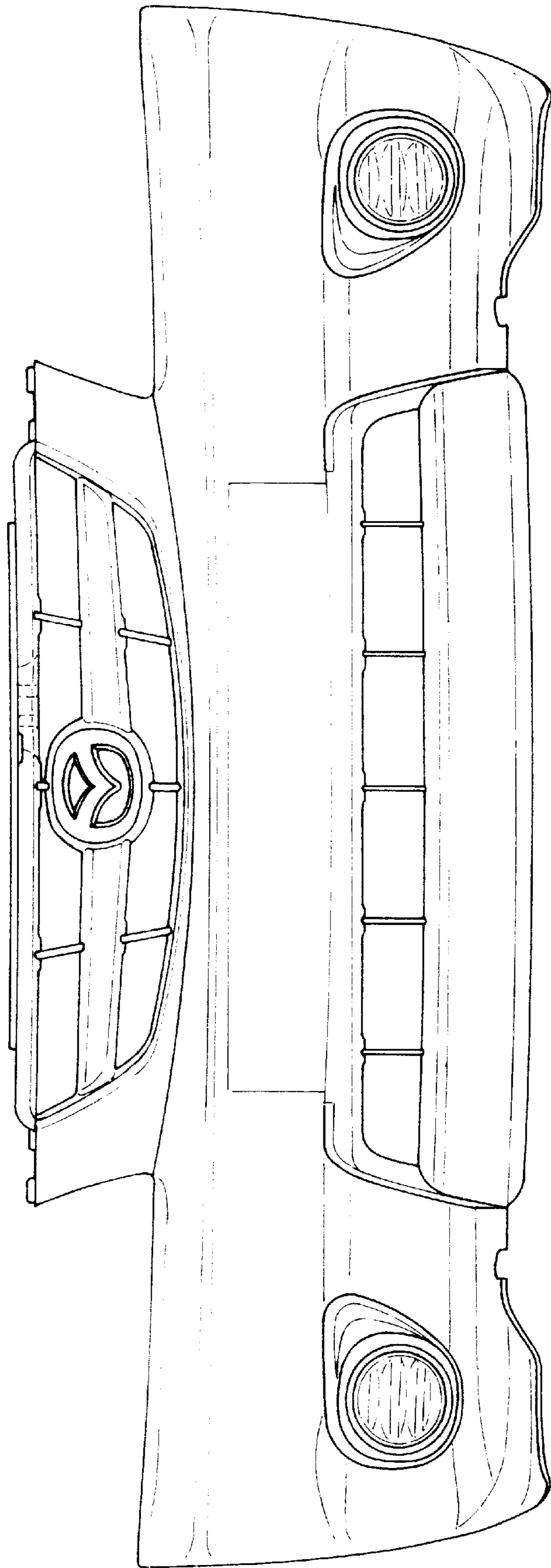


FIG. 3

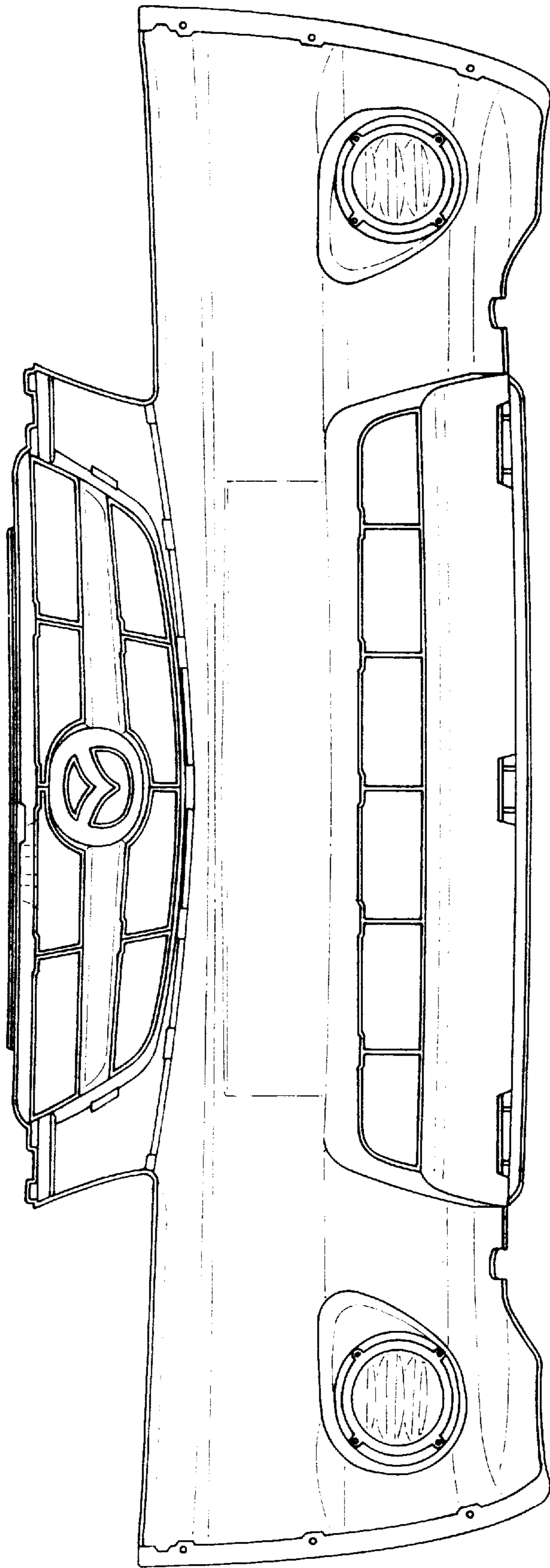


FIG. 5

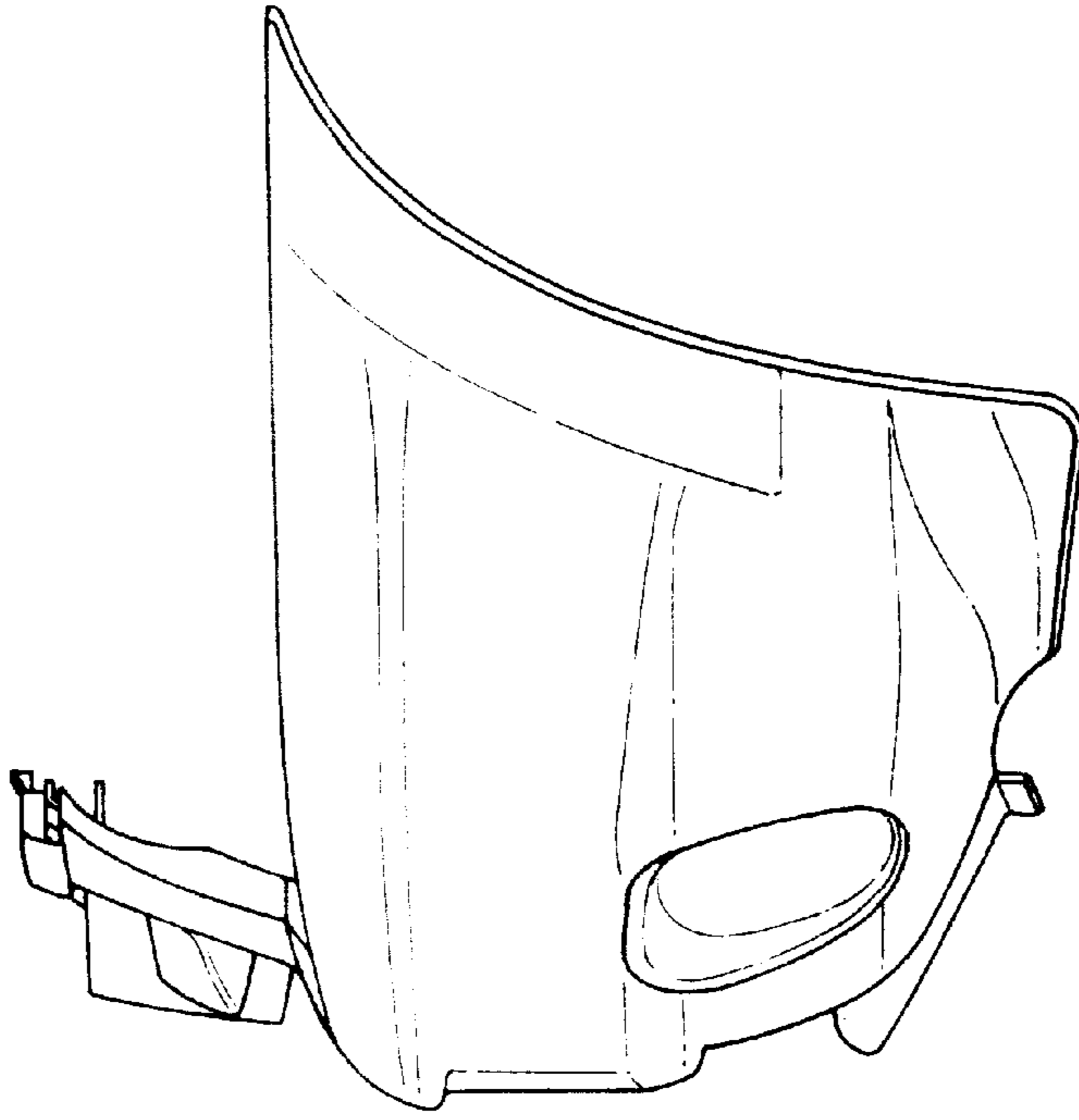


FIG. 4

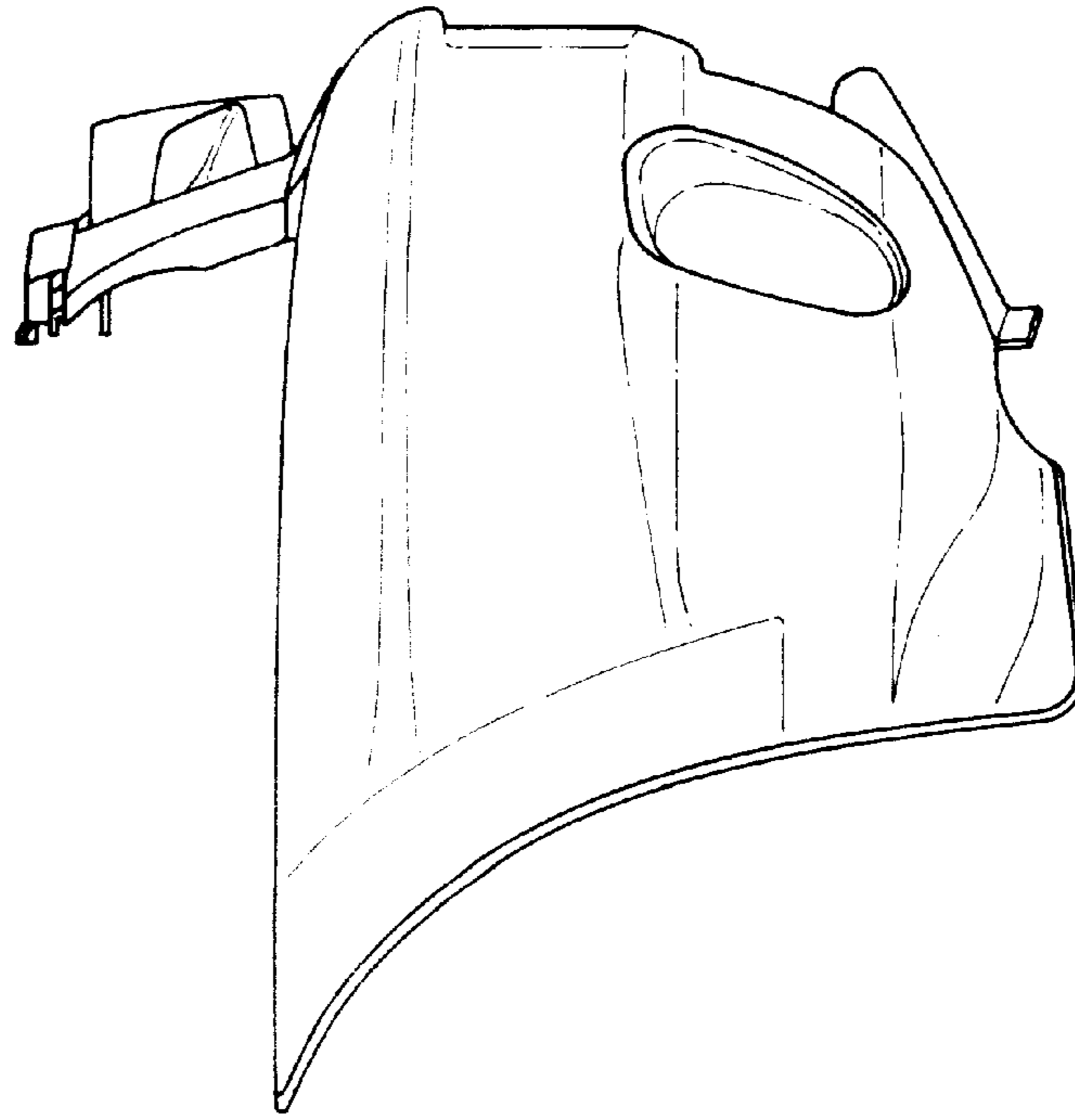


FIG. 6

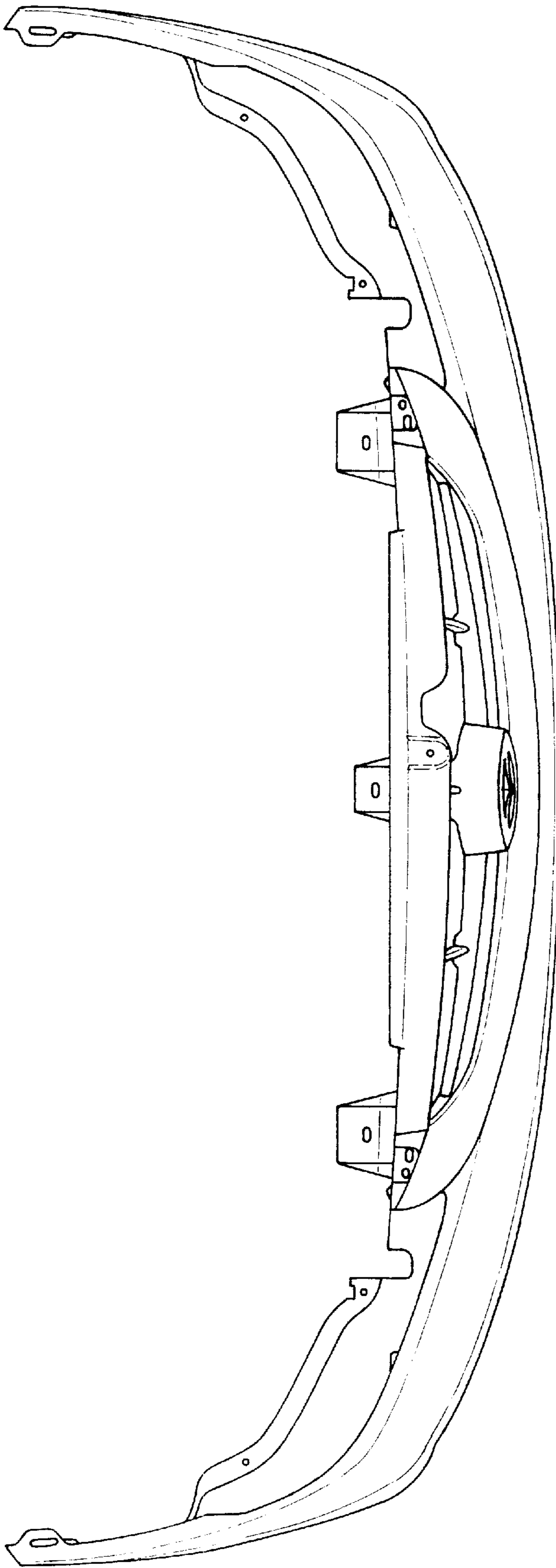


FIG. 7

