



US00D444108S

(12) **United States Design Patent**
Maxwell

(10) **Patent No.:** **US D444,108 S**

(45) **Date of Patent:** **** Jun. 26, 2001**

(54) **TIRE TREAD**

(75) **Inventor:** **Paul Bryan Maxwell, Kent, OH (US)**

(73) **Assignee:** **The Goodyear Tire & Rubber Company, Akron, OH (US)**

(**) **Term:** **14 Years**

(21) **Appl. No.:** **29/126,074**

(22) **Filed:** **Jul. 7, 2000**

(51) **LOC (7) Cl.** **12-15**

(52) **U.S. Cl.** **D12/147**

(58) **Field of Search** D12/134-152;
152/209.1, 209.3, 209.8, 209.9, 209.12,
209.13, 209.22, 209.25, 902

(56) **References Cited**

U.S. PATENT DOCUMENTS

- D. 115,835 * 7/1939 Lombard D12/146
- D. 250,812 * 1/1979 Duncan D12/146
- D. 345,132 * 3/1994 Kuramochi et al. D12/146
- D. 413,087 * 8/1999 Rooney D12/140

OTHER PUBLICATIONS

STA Trailbreaker Tire, 1999 Tread Design Guide, p. 118.
1/3, Jan. 1999.*

* cited by examiner

Primary Examiner—Robert M. Spear

(74) *Attorney, Agent, or Firm*—David E Wheeler; T P Lewandowski

(57) **CLAIM**

The ornamental Design for a tire tread, as shown and described.

DESCRIPTION

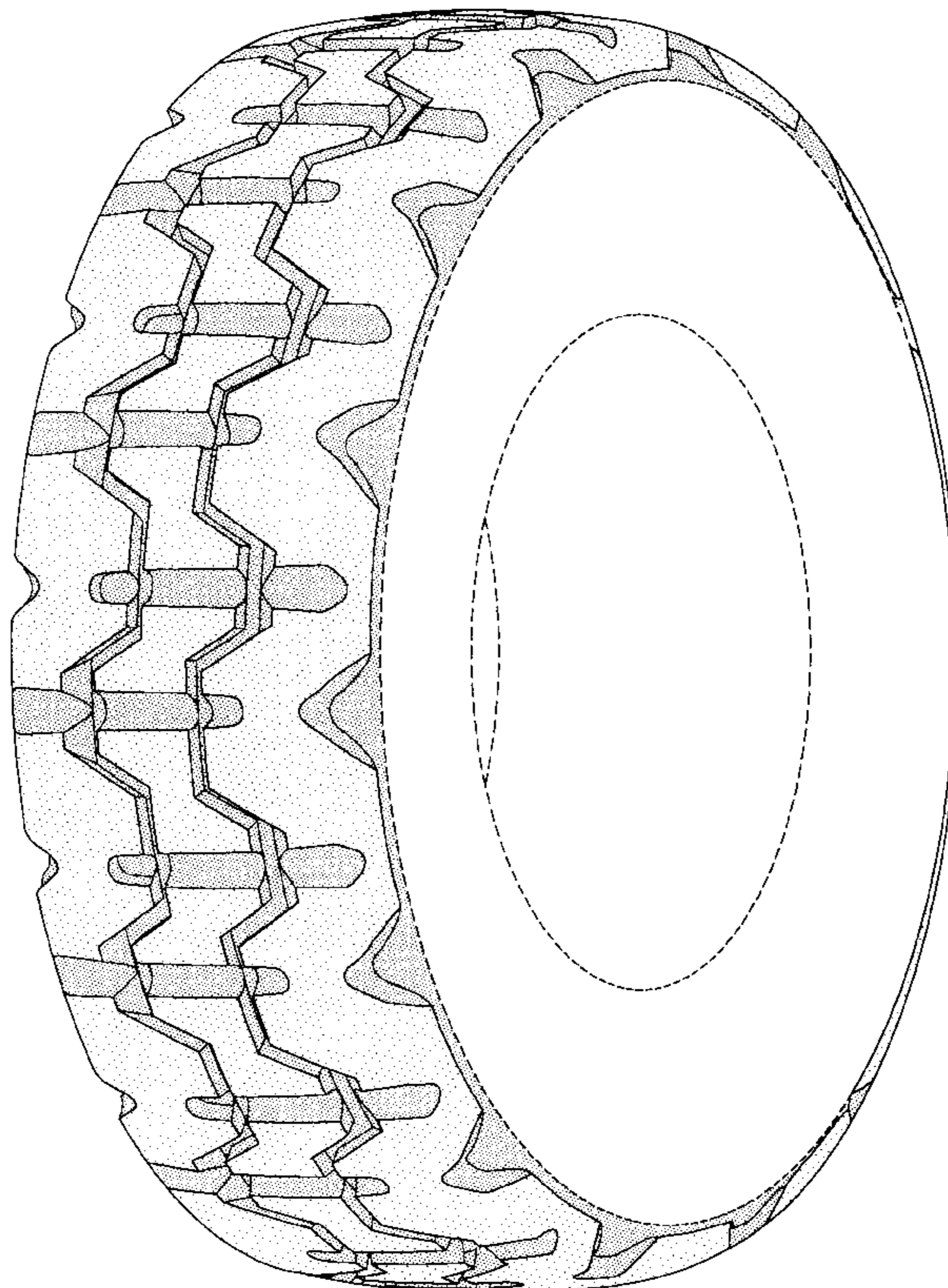
FIG. 1 is a perspective view of a tire tread showing our new design, it being understood that the pattern repeats uniformly throughout the circumference of the tread;

FIG. 2 is a front elevational view thereof; and,

FIG. 3 is a side elevational view thereof, the opposite side elevational view being identical thereto.

In the drawings, the broken lines defining the inner bead of the sidewall and the peripheral boundary between the tire tread and the sidewall are for illustrative purposes only and form no part of the claimed design.

1 Claim, 3 Drawing Sheets



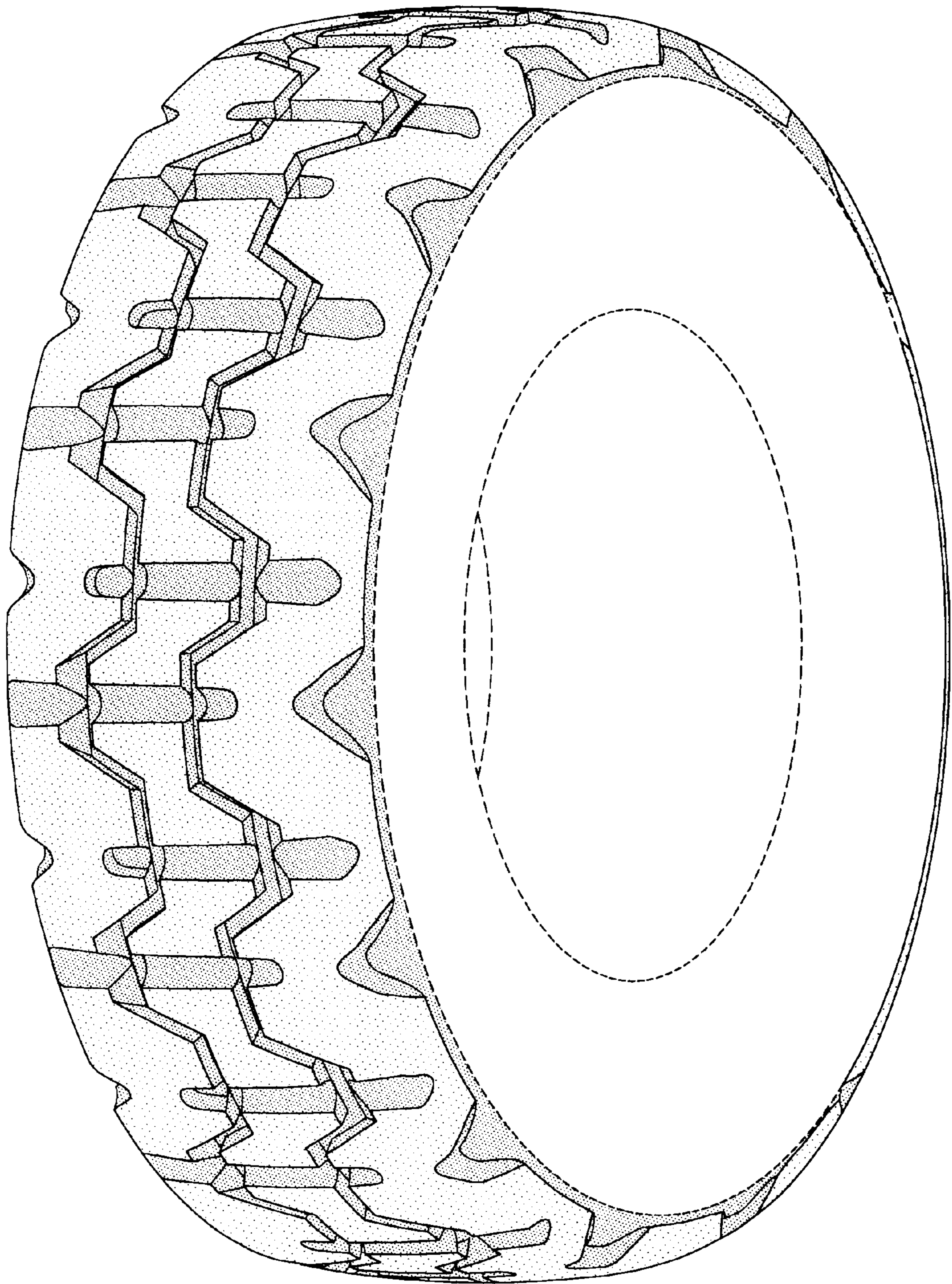


FIG-1

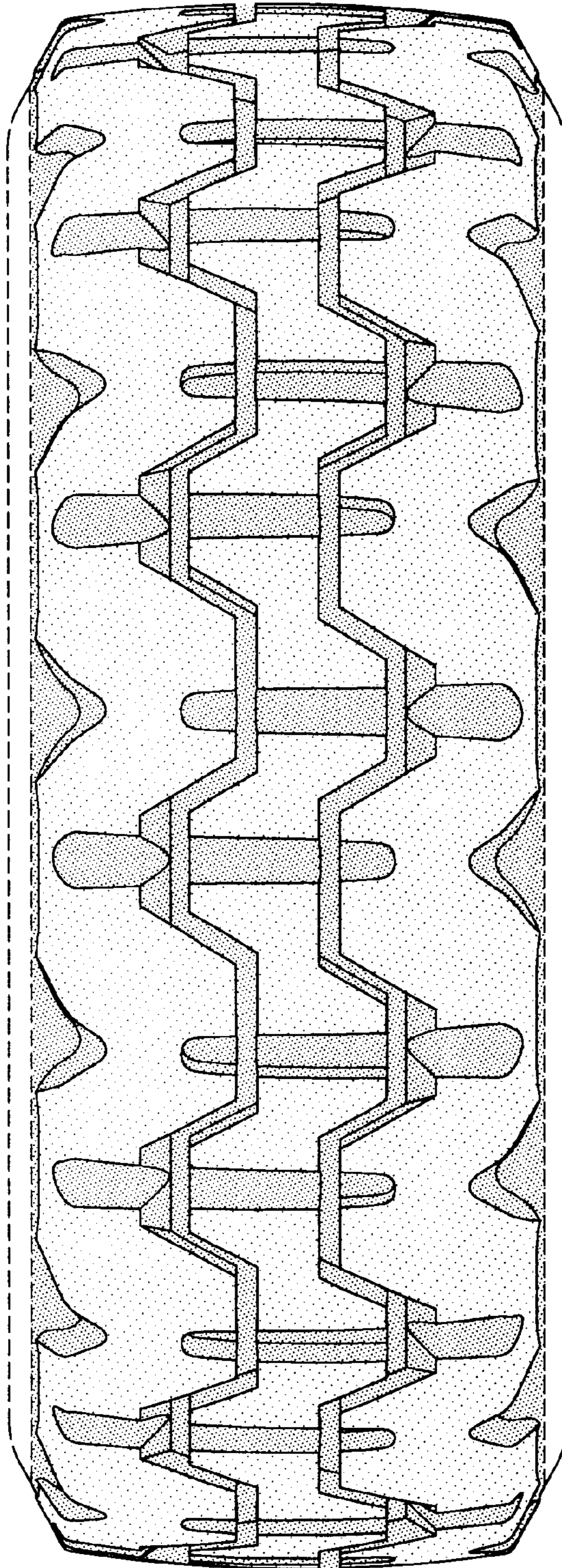


FIG-2

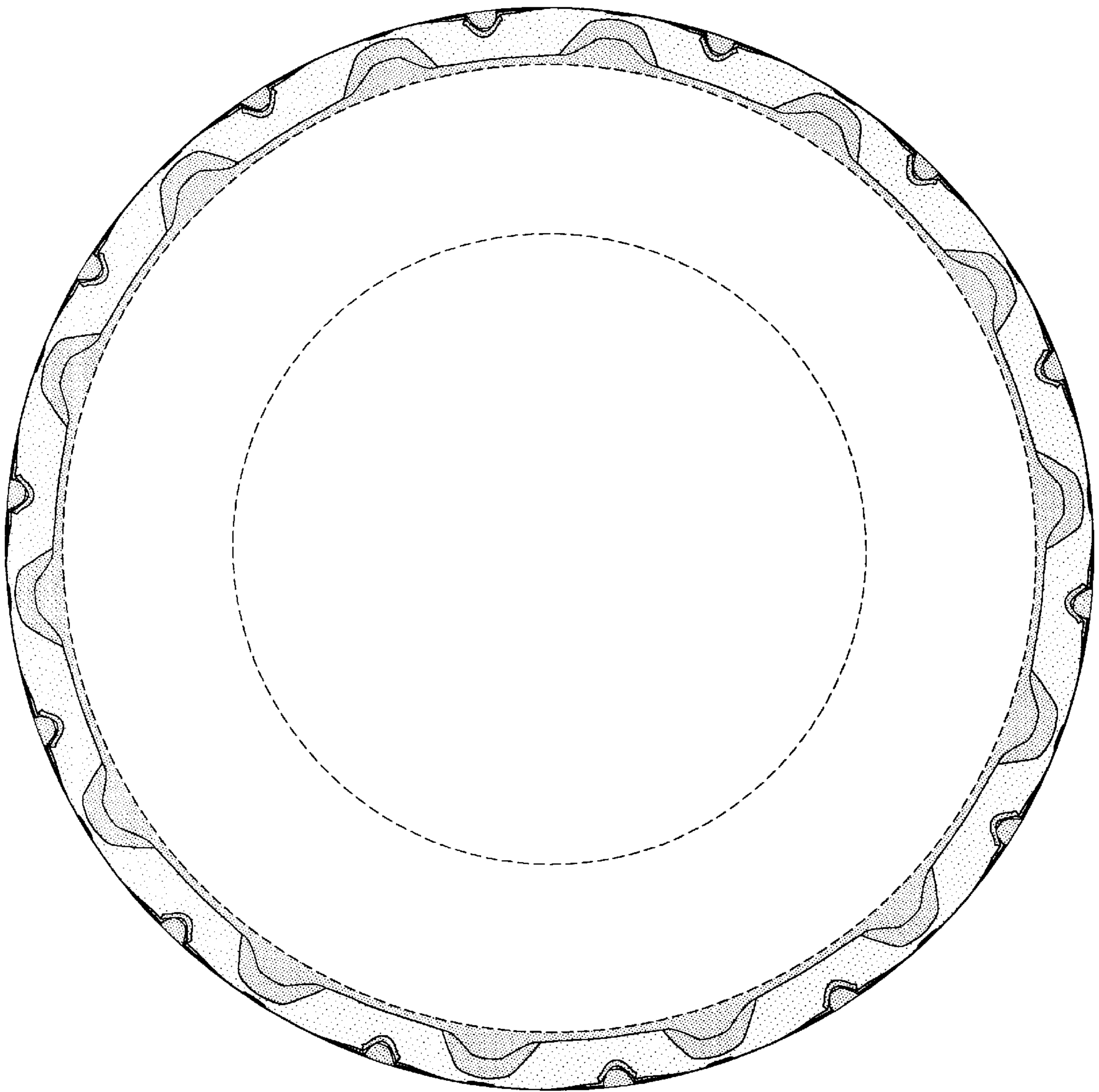


FIG-3