



US00D444103S

(12) **United States Design Patent** (10) **Patent No.:** **US D444,103 S**  
**Robb et al.** (45) **Date of Patent:** **\*\* Jun. 26, 2001**

(54) **SURFACE CONFIGURATION OF A MOTORCYCLE AND TOY**

(74) *Attorney, Agent, or Firm*—Evenson, McKeown, Edwards & Lenahan, P.L.L.C.

(75) **Inventors:** **David Irwin Robb**, München; **Volker Hohdorf**, Augsburg, both of (DE)

(57) **CLAIM**

The ornamental design for a surface configuration of a motorcycle and toy, as shown and described.

(73) **Assignee:** **Bayerische Motoren Werke Aktiengesellschaft**, Munich (DE)

**DESCRIPTION**

(\*\*) **Term:** **14 Years**

FIG. 1 is a left, front perspective view of a surface configuration of a motorcycle and toy according to our novel design; FIG. 2 is a left side view of the surface configuration of a motorcycle and toy according to our novel design; FIG. 3 is a right, rear perspective view of the surface configuration of a motorcycle and toy according to our novel design;

(21) **Appl. No.:** **29/124,948**

(22) **Filed:** **Jun. 14, 2000**

FIG. 4 is a right, front perspective view of the surface configuration of a motorcycle and toy according to our novel design;

(30) **Foreign Application Priority Data**

Dec. 14, 1999 (DE) ..... 4 99 11 732

FIG. 5 is a right side view of the surface configuration of a motorcycle and toy according to our novel design;

(51) **LOC (7) Cl.** ..... **12-11**

(52) **U.S. Cl.** ..... **D12/110**

(58) **Field of Search** ..... D12/110; 180/219; D21/538, 432; 446/440

FIG. 6 is a left, rear perspective view of the surface configuration of a motorcycle and toy according to our novel design;

(56) **References Cited**

**U.S. PATENT DOCUMENTS**

D. 383,096	9/1997	Abe et al.	.....	D12/110
D. 398,265	* 9/1998	Robb et al.	.....	D12/110
D. 400,605	* 11/1998	Rodriguez Ferre	.....	D21/538
D. 406,801	* 3/1999	Robb et al.	.....	D12/110
D. 422,244	* 4/2000	Heinrich et al.	.....	D12/110

FIG. 7 is a front view of the surface configuration of a motorcycle and toy according to our novel design;

FIG. 8 is a rear view of the surface configuration of a motorcycle and toy according to our novel design; and,

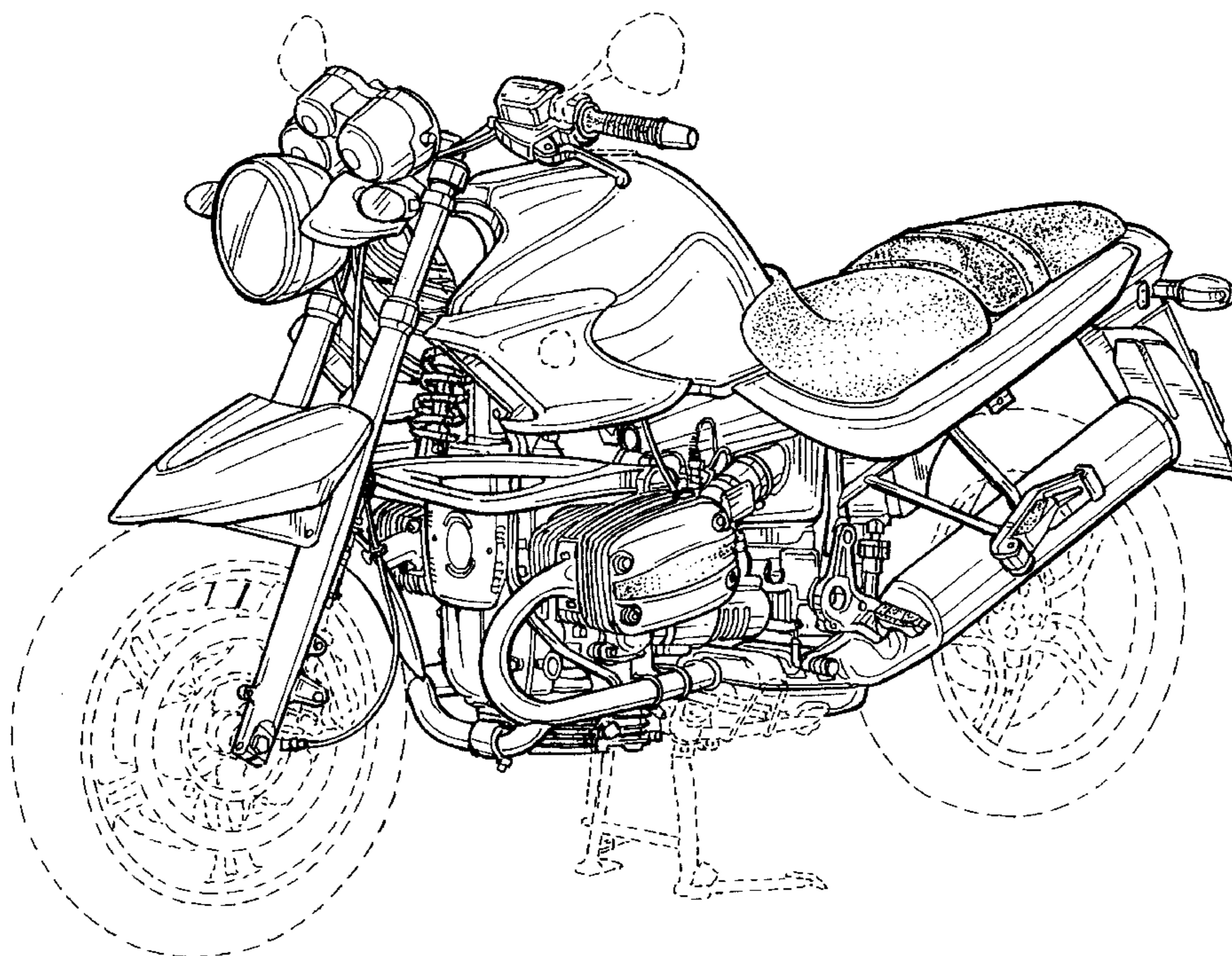
FIG. 9 is a top view of the surface configuration of a motorcycle and toy according to our novel design.

\* cited by examiner

The dash lines included depict environment and are not part of the claimed design.

*Primary Examiner*—Alan P. Douglas  
*Assistant Examiner*—Linda Brooks

**1 Claim, 8 Drawing Sheets**



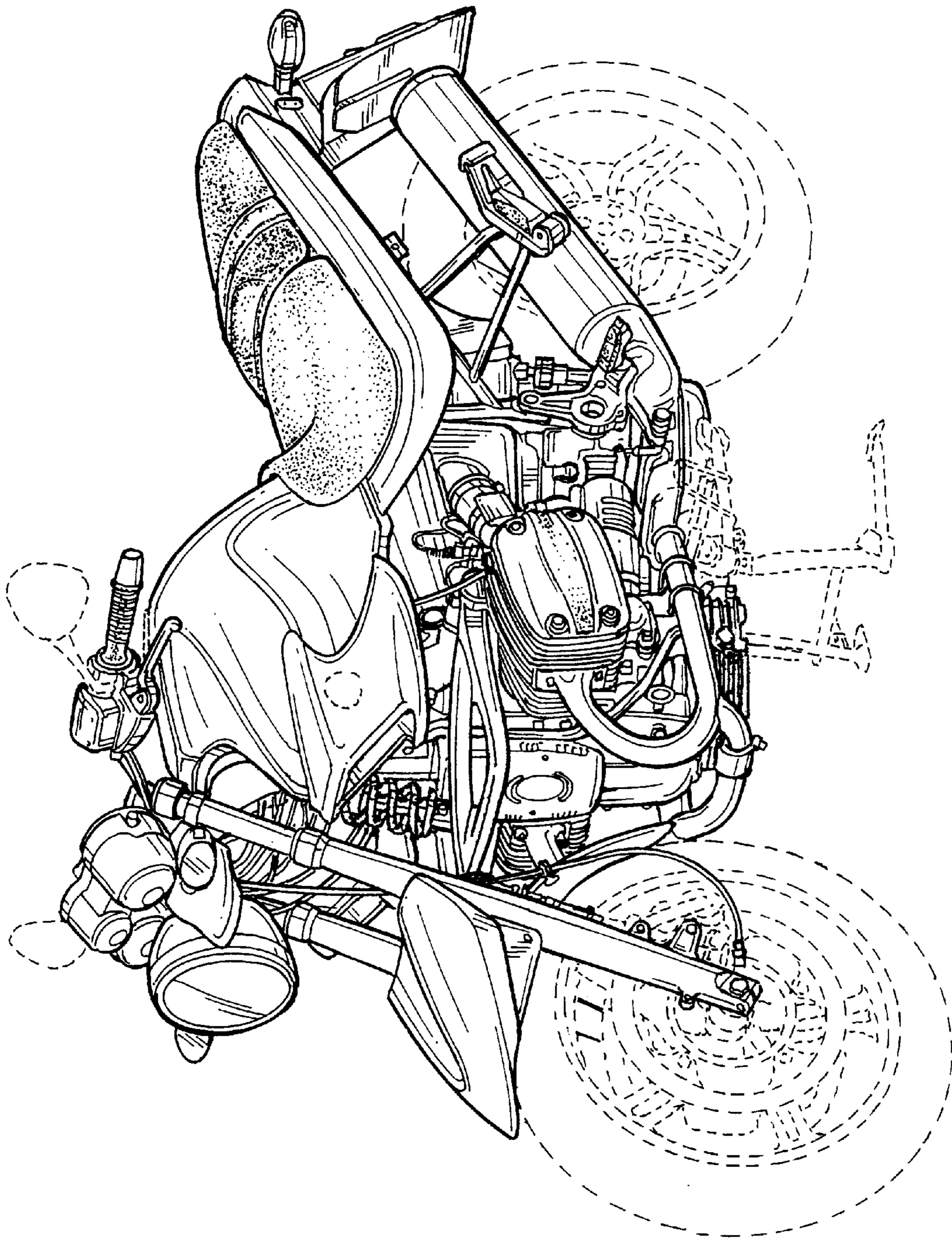


FIG. 1

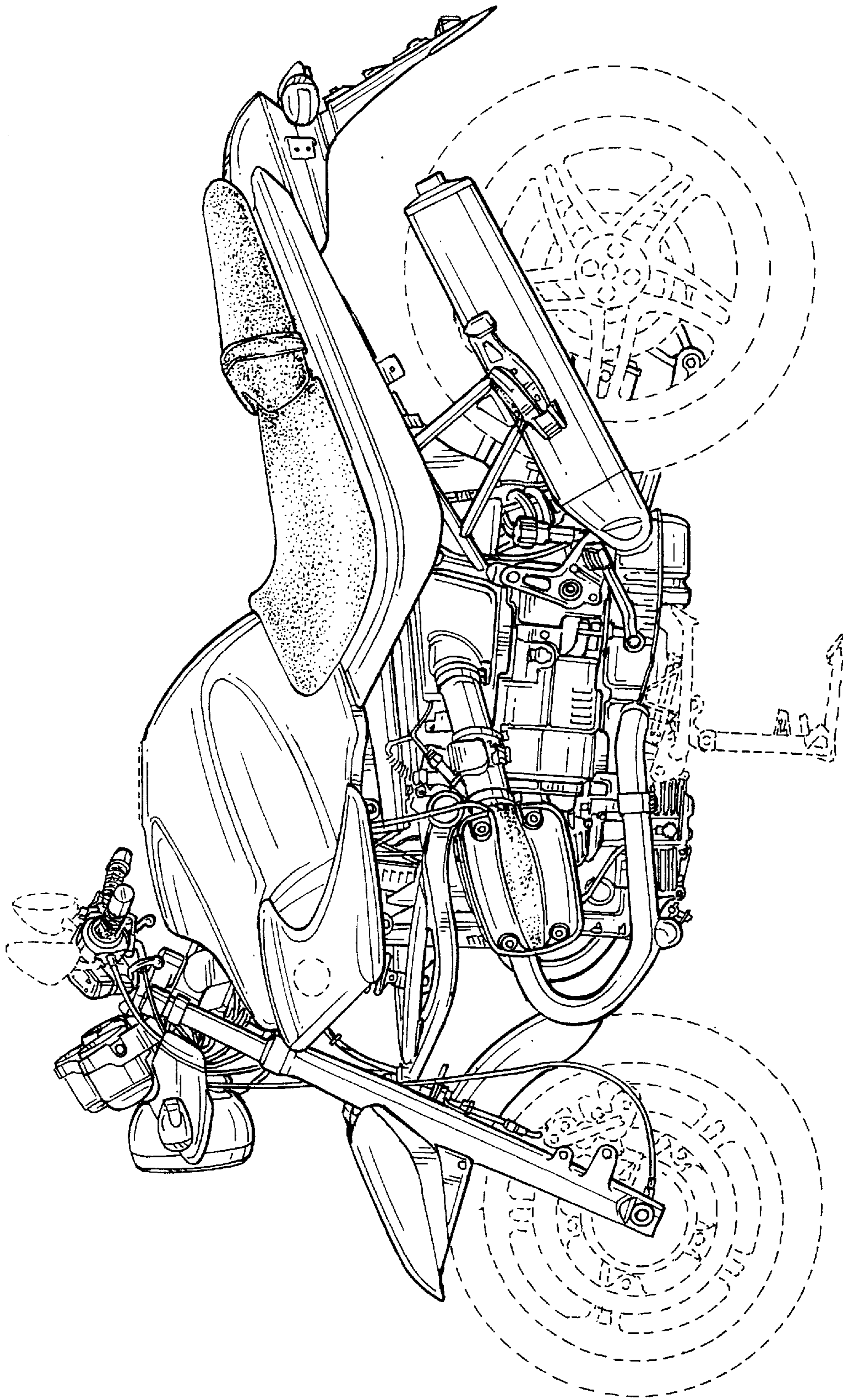


FIG. 2

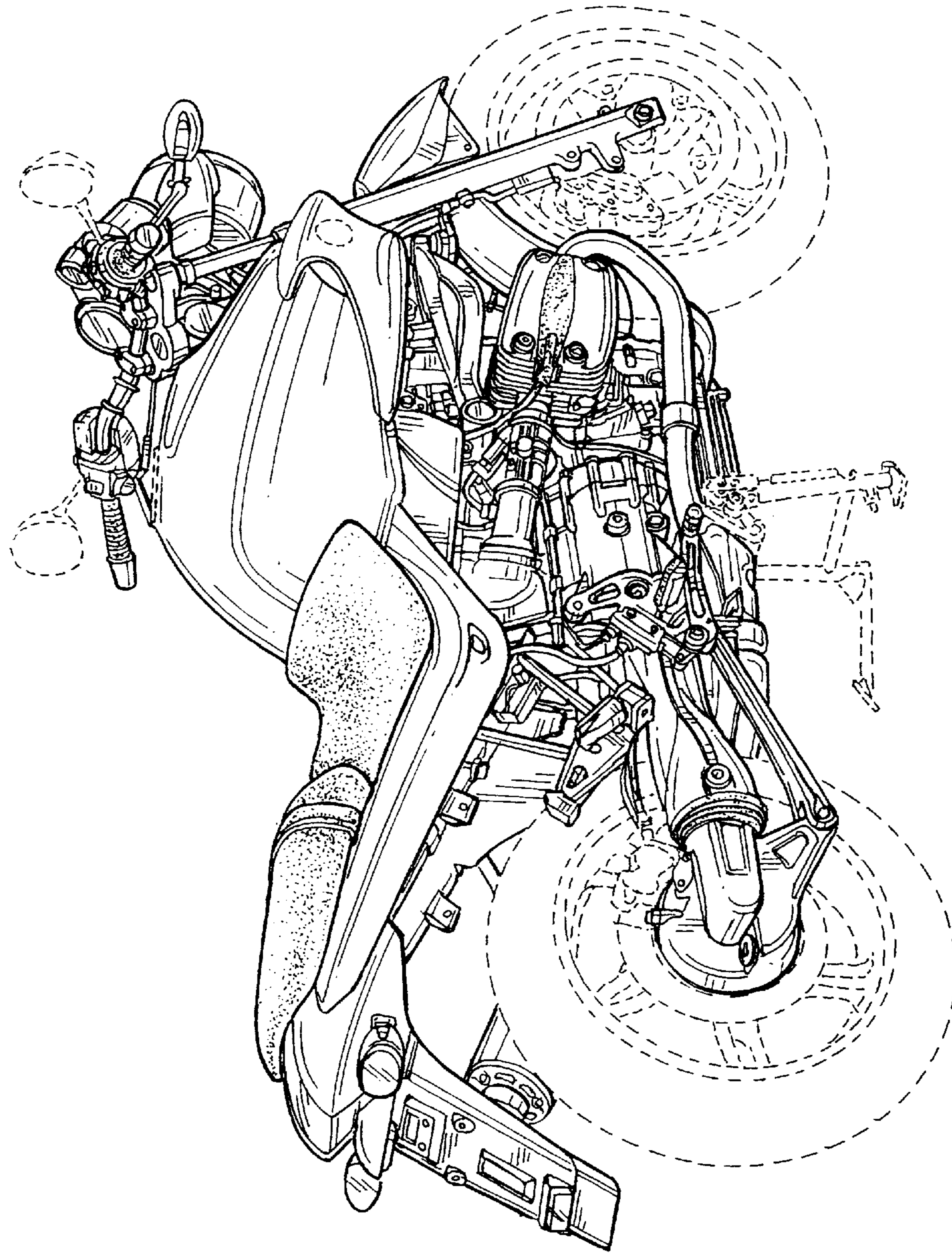


FIG. 3

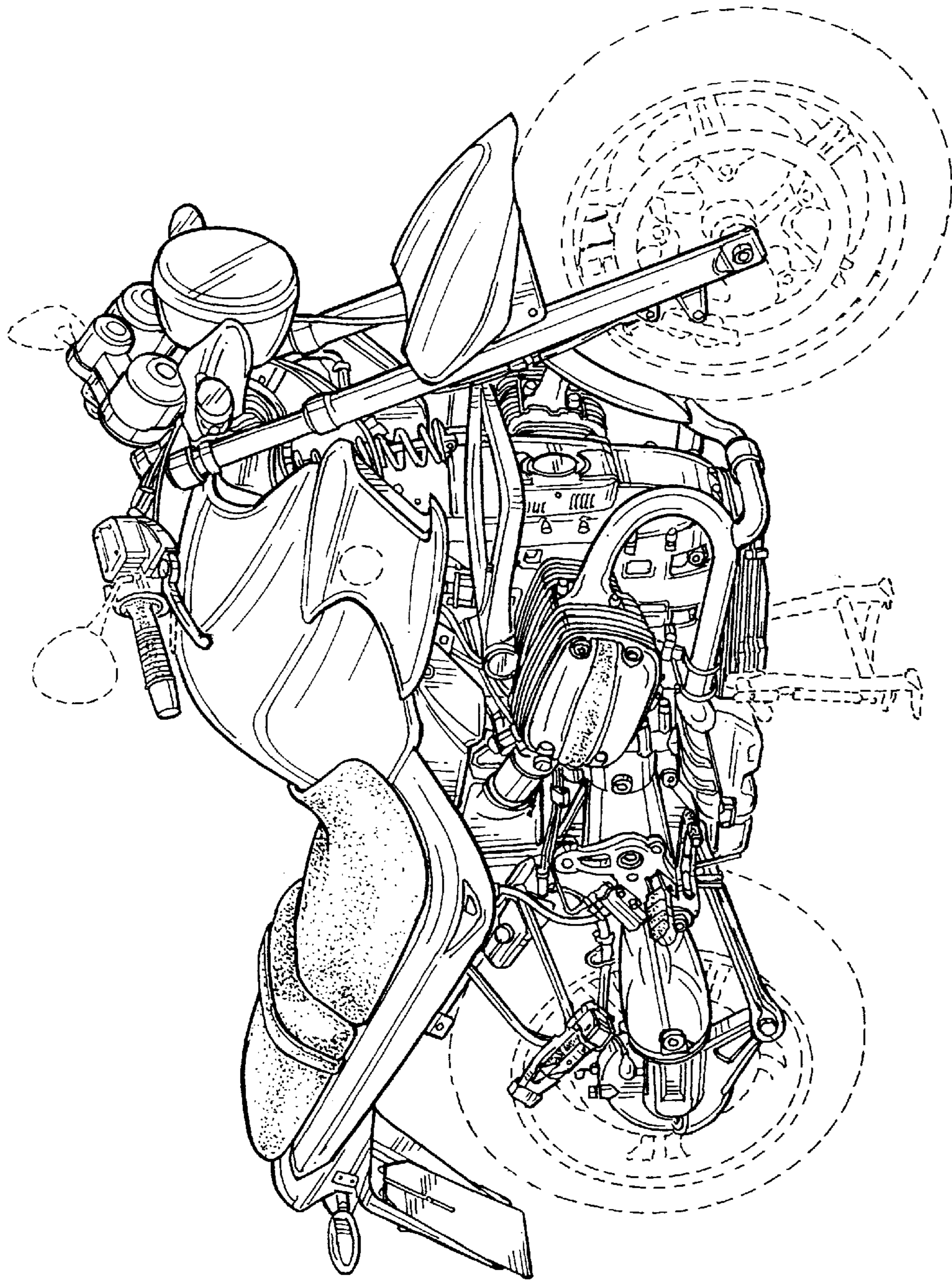


FIG. 4

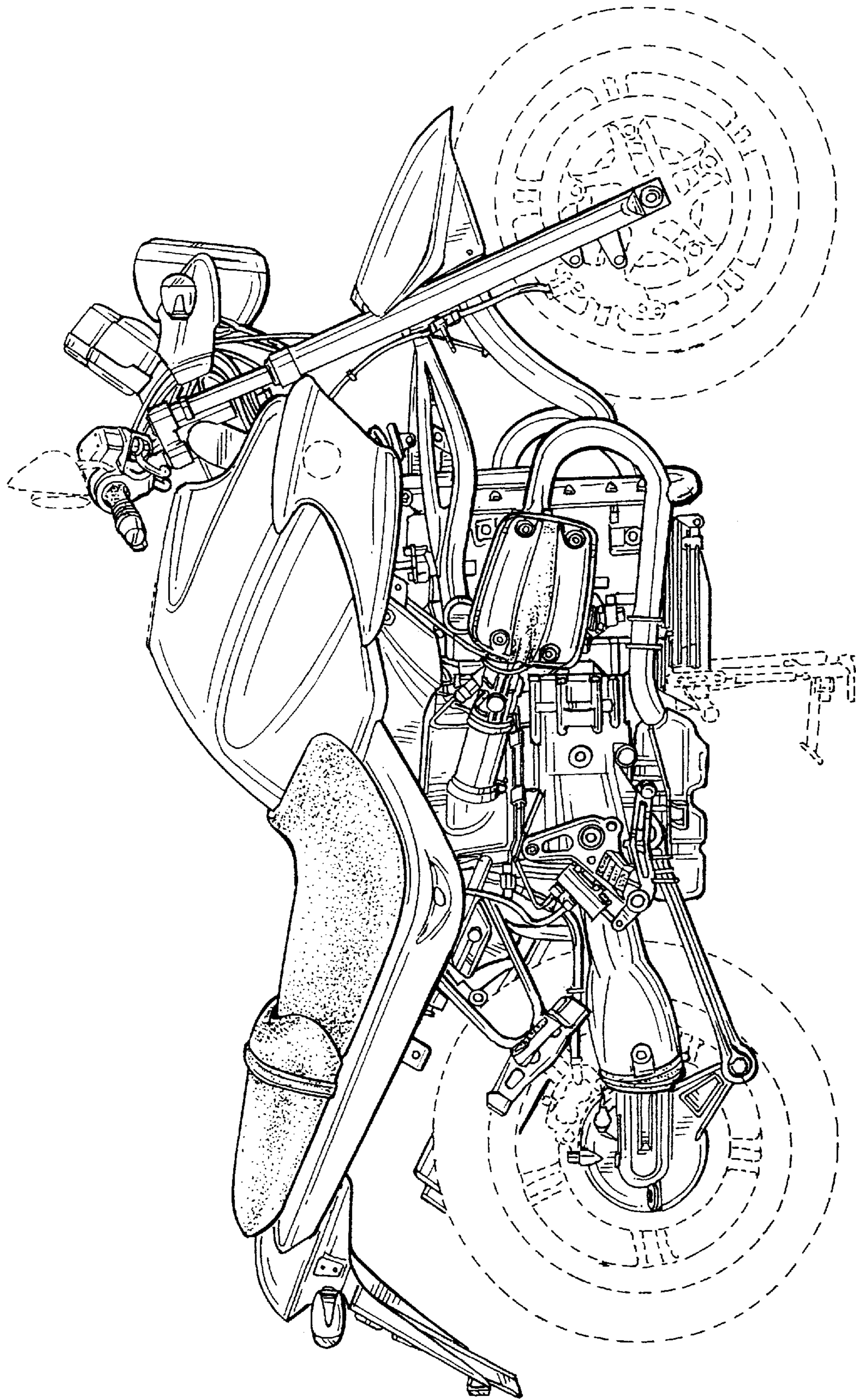


FIG. 5

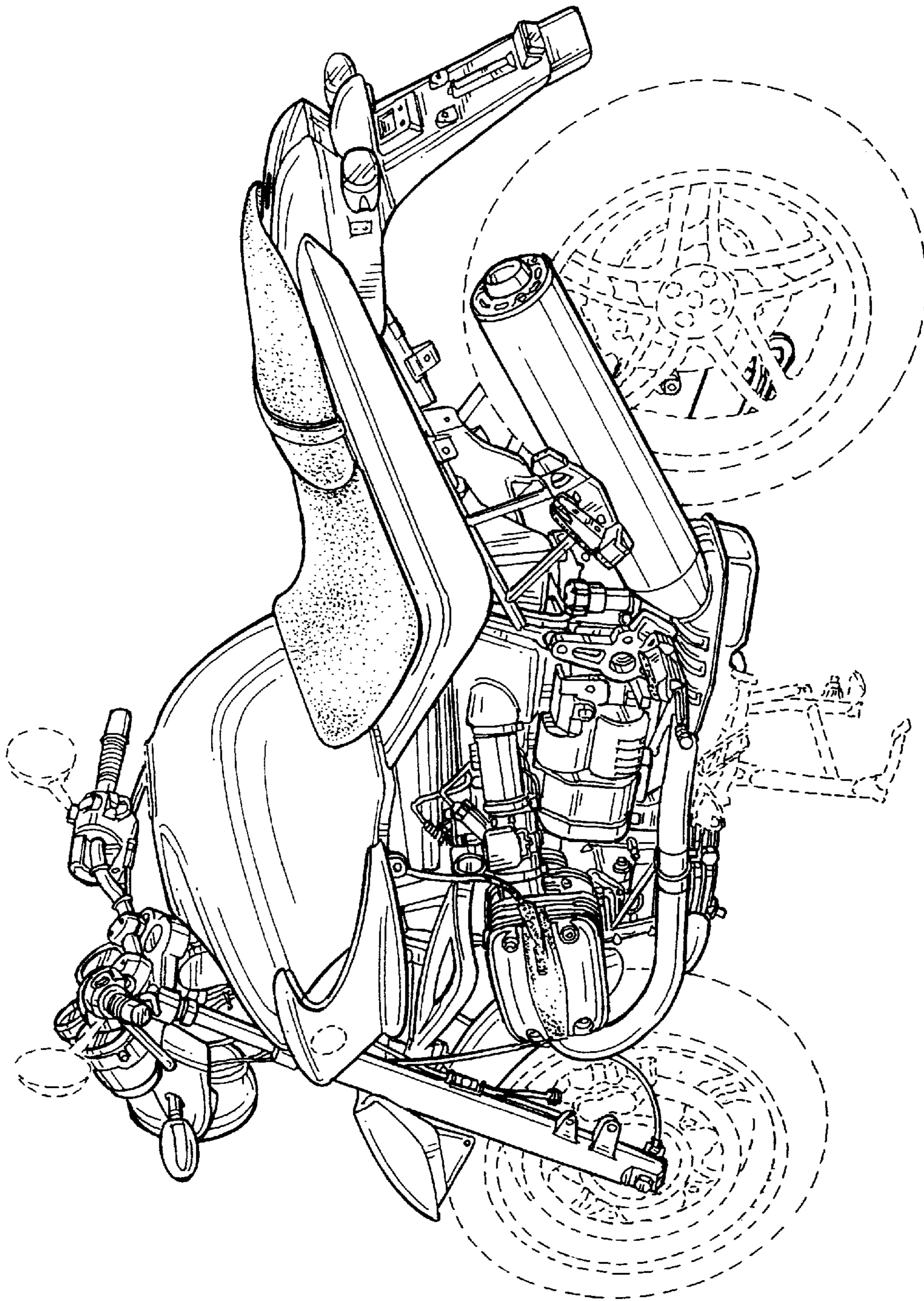


FIG. 6

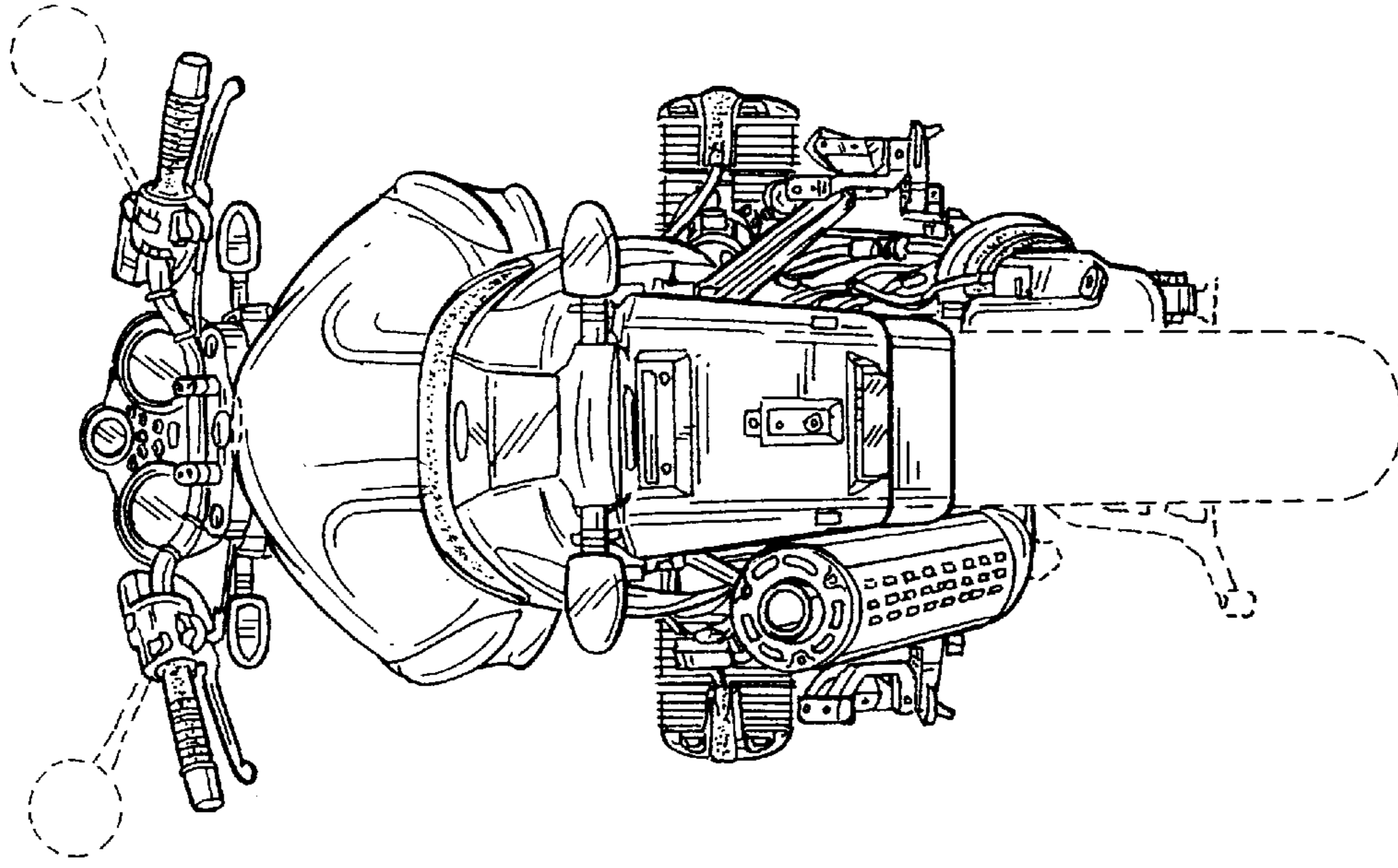


FIG. 8

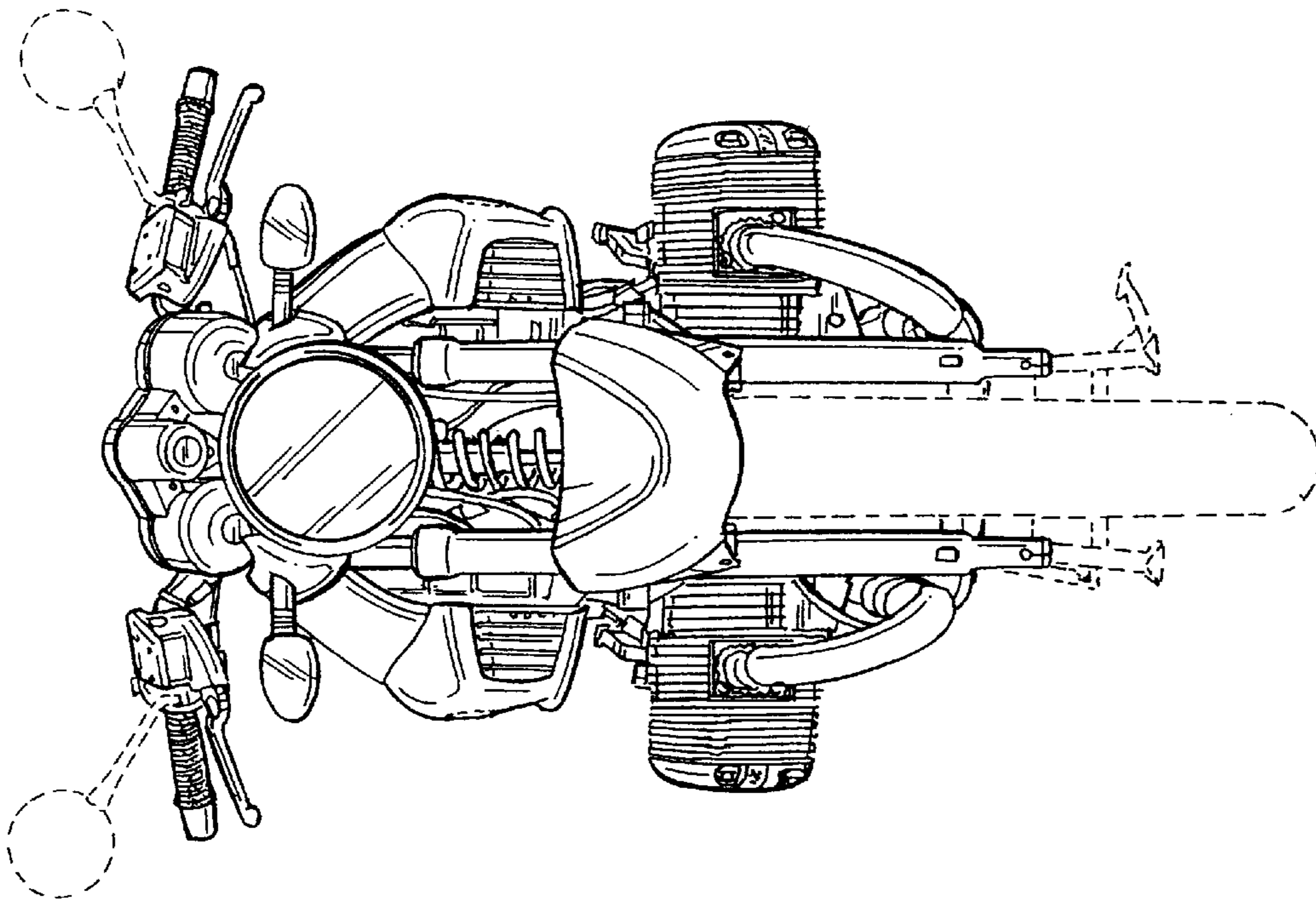


FIG. 7



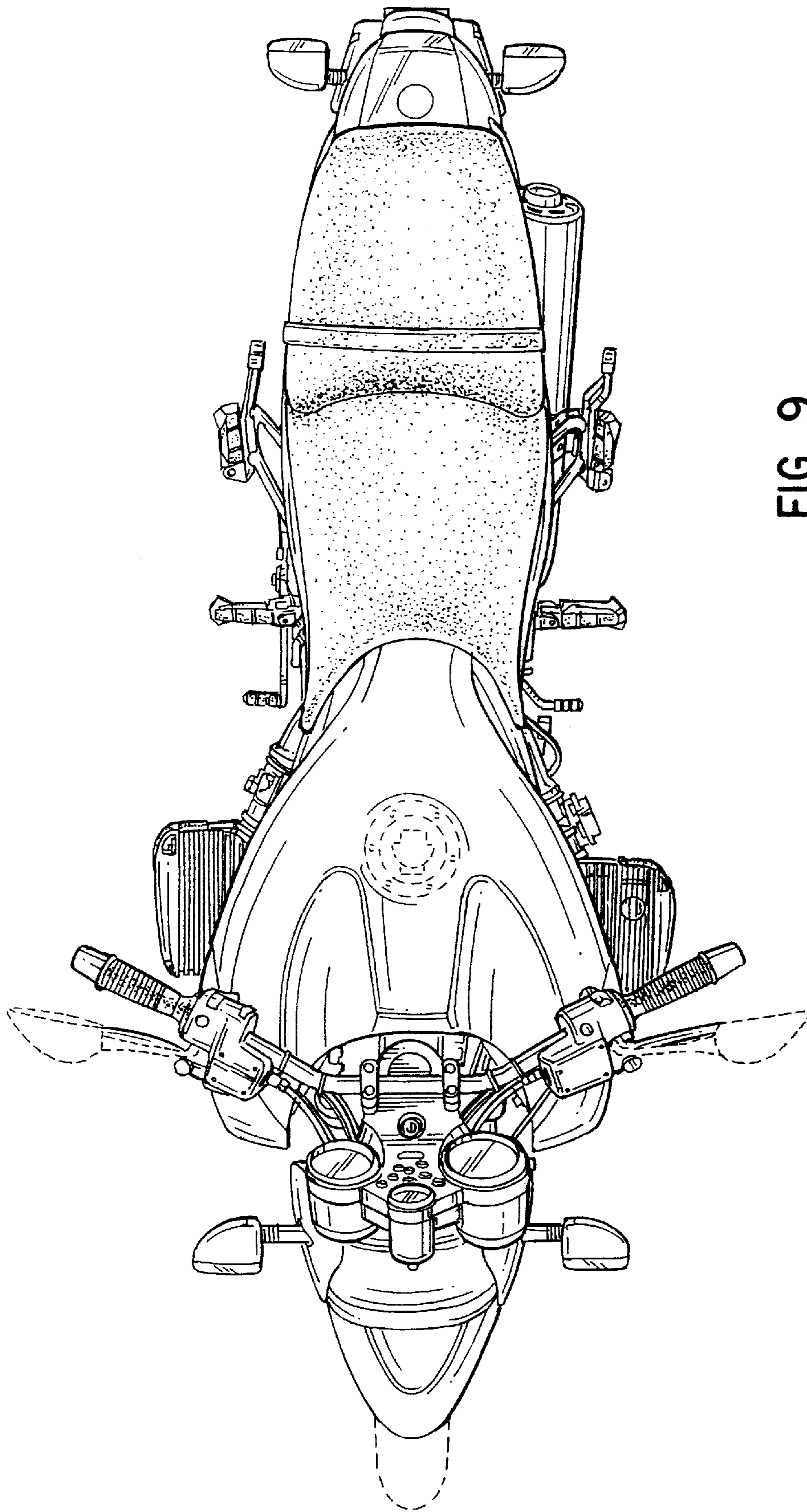


FIG. 9