



US00D444100S

(12) **United States Design Patent**
Kelleghan

(10) **Patent No.:** **US D444,100 S**

(45) **Date of Patent:** **** Jun. 26, 2001**

(54) **BELT BUCKLE**

(76) **Inventor:** **Brian Kelleghan, 735 S. Lincoln St.,
Longmont, CO (US) 80501**

(**) **Term:** **14 Years**

(21) **Appl. No.:** **29/102,115**

(22) **Filed:** **Mar. 18, 1999**

(51) **LOC (7) Cl.** **02-07**

(52) **U.S. Cl.** **D11/216**

(58) **Field of Search** **D11/200, 213-218;
24/616, 625, 633, 200**

5,465,472	*	11/1995	Matoba	24/625
5,469,583		11/1995	Akeley et al.	24/191
5,572,771		11/1996	Kelleghan	24/170
6,052,875	*	4/2000	Fudali	24/625

* cited by examiner

Primary Examiner—Ralf Seifert

(74) *Attorney, Agent, or Firm*—E. C. Hancock; F. A. SIRR;
Holland & Hart LLP

(57) **CLAIM**

The ornamental design for a belt buckle, as shown and described.

DESCRIPTION

FIG. 1 is a front perspective view of a belt buckle showing my new design in full lines with the broken lines showing environmental association matter being for illustrative purposes only and forming no part of the claimed design;

FIG. 2 is a front elevational view thereof;

FIG. 3 is a left side elevational view thereof, with the right side elevational view being a mirror image;

FIG. 4 is a top plan view thereof;

FIG. 5 is a bottom plan view thereof;

FIG. 6 is a rear elevational view thereof;

FIG. 7 is a front perspective view of an alternative embodiment of the belt buckle showing our new design;

FIG. 8 is a front elevational view thereof;

FIG. 9 is a left side elevational view thereof, with the right side elevational view being a mirror image;

FIG. 10 is a top plan view thereof;

FIG. 11 is a bottom plan view thereof; and,

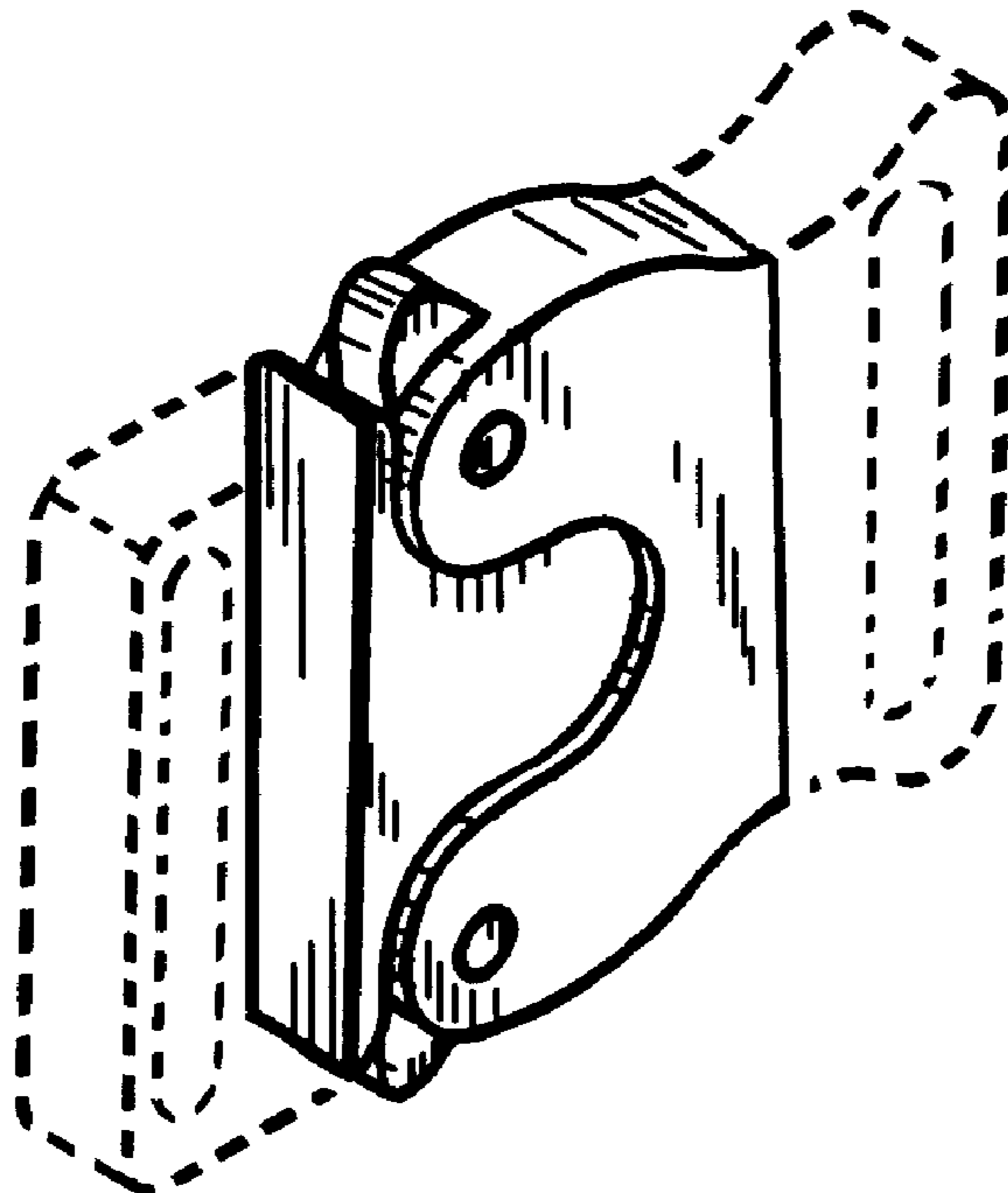
FIG. 12 back elevational view thereof.

(56) **References Cited**

U.S. PATENT DOCUMENTS

D. 55,081	5/1920	Rounseville	D11/218
D. 55,082	5/1920	Rounseville	D11/218
D. 55,197	5/1920	Rounseville	D11/218
D. 55,198	5/1920	Shields	D11/218
D. 287,187	12/1986	Olson	D11/218
D. 302,140	7/1989	Johnson	D11/216
D. 325,546	* 4/1992	Collier	D11/213
D. 327,455	6/1992	Blair	D11/216
D. 332,585	1/1993	Olson	D11/200
D. 360,168	7/1995	Kelleghan	D11/216
2,998,626	9/1961	Prete, Jr.	24/170
3,328,856	7/1967	Jonas .		
3,339,248	9/1967	Campaiola .		
3,390,436	7/1968	Prete, Jr.	24/196
3,823,444	7/1974	Takaabayashi	24/191
4,300,269	11/1981	Boden	24/134 R
4,373,234	2/1983	Boden	24/191
4,843,688	7/1989	Ikeda	24/170
5,222,279	* 6/1993	Frano et al.	24/625

1 Claim, 2 Drawing Sheets



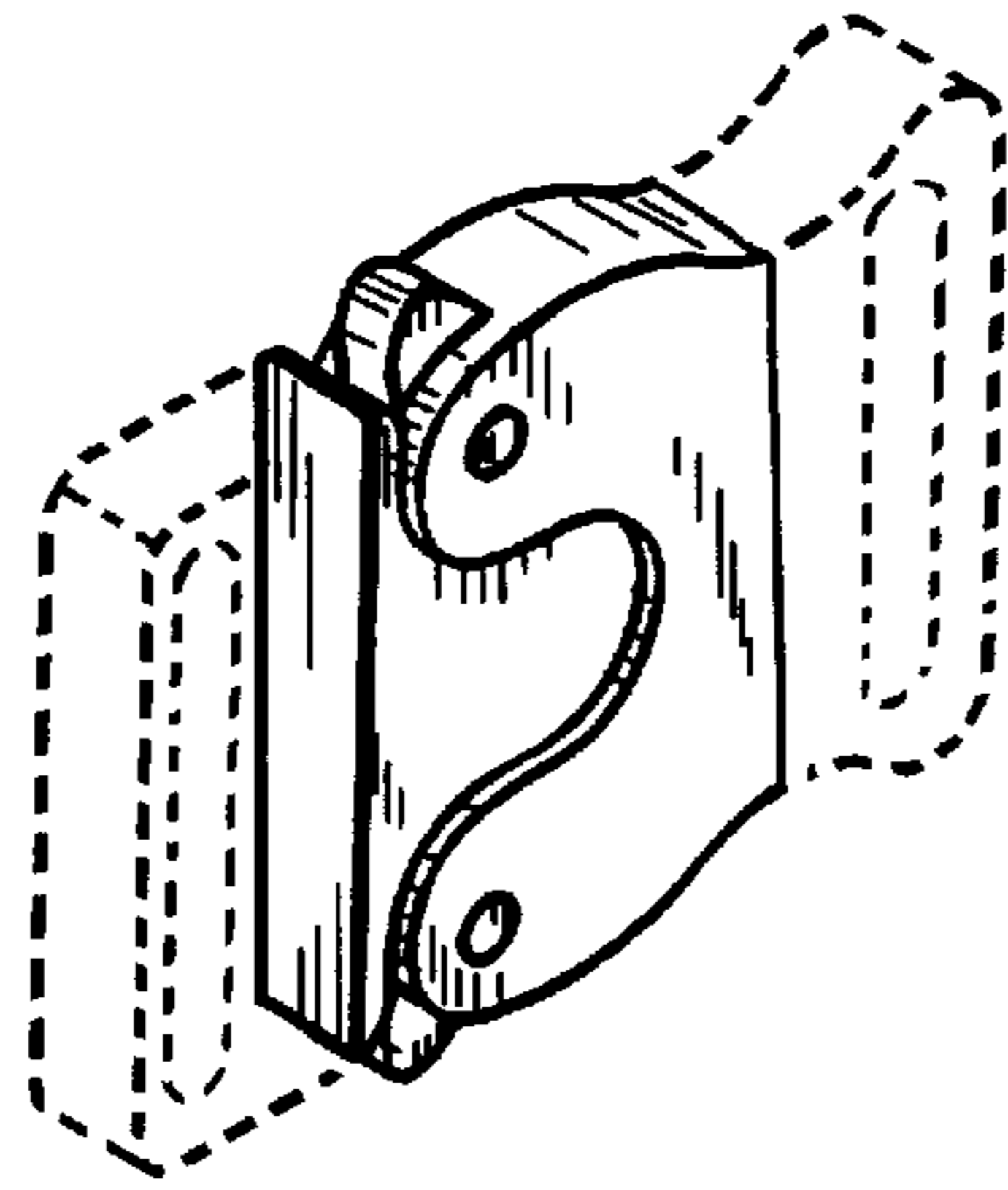


Fig. 1

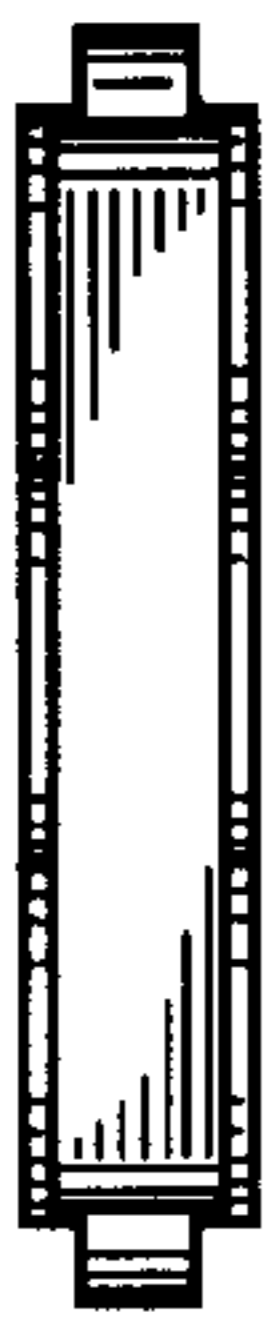


Fig. 3

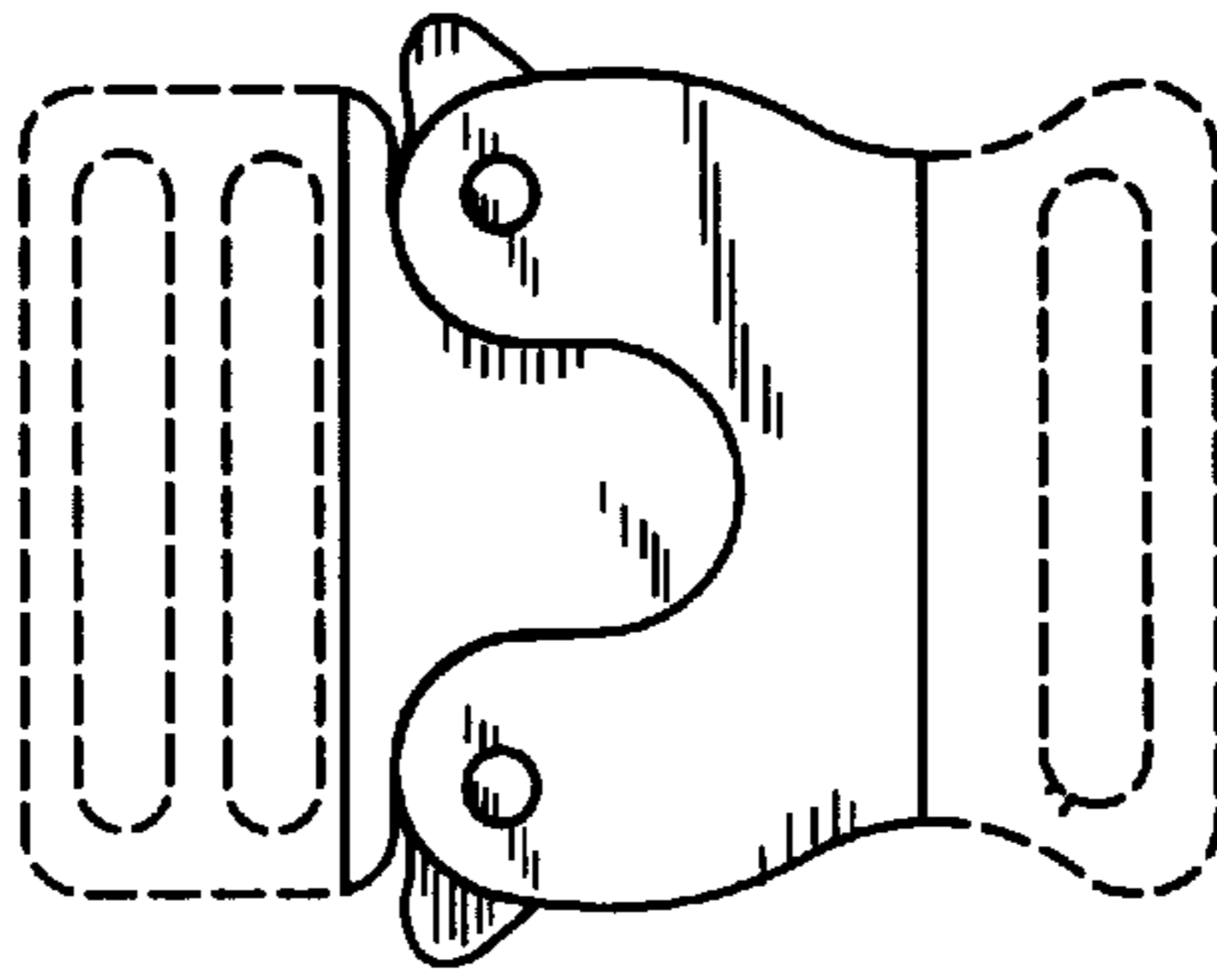


Fig. 2



Fig. 4



Fig. 5

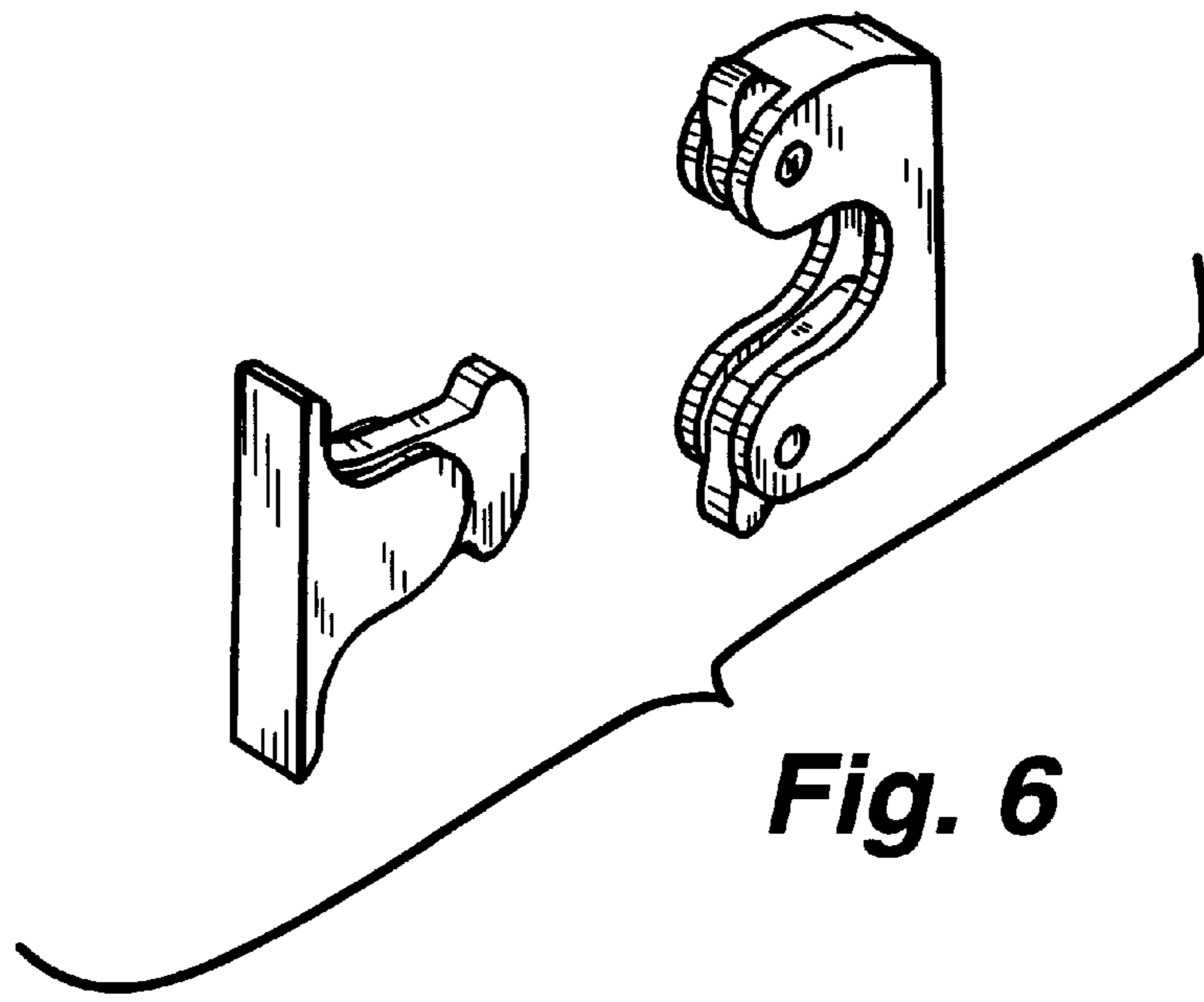


Fig. 6

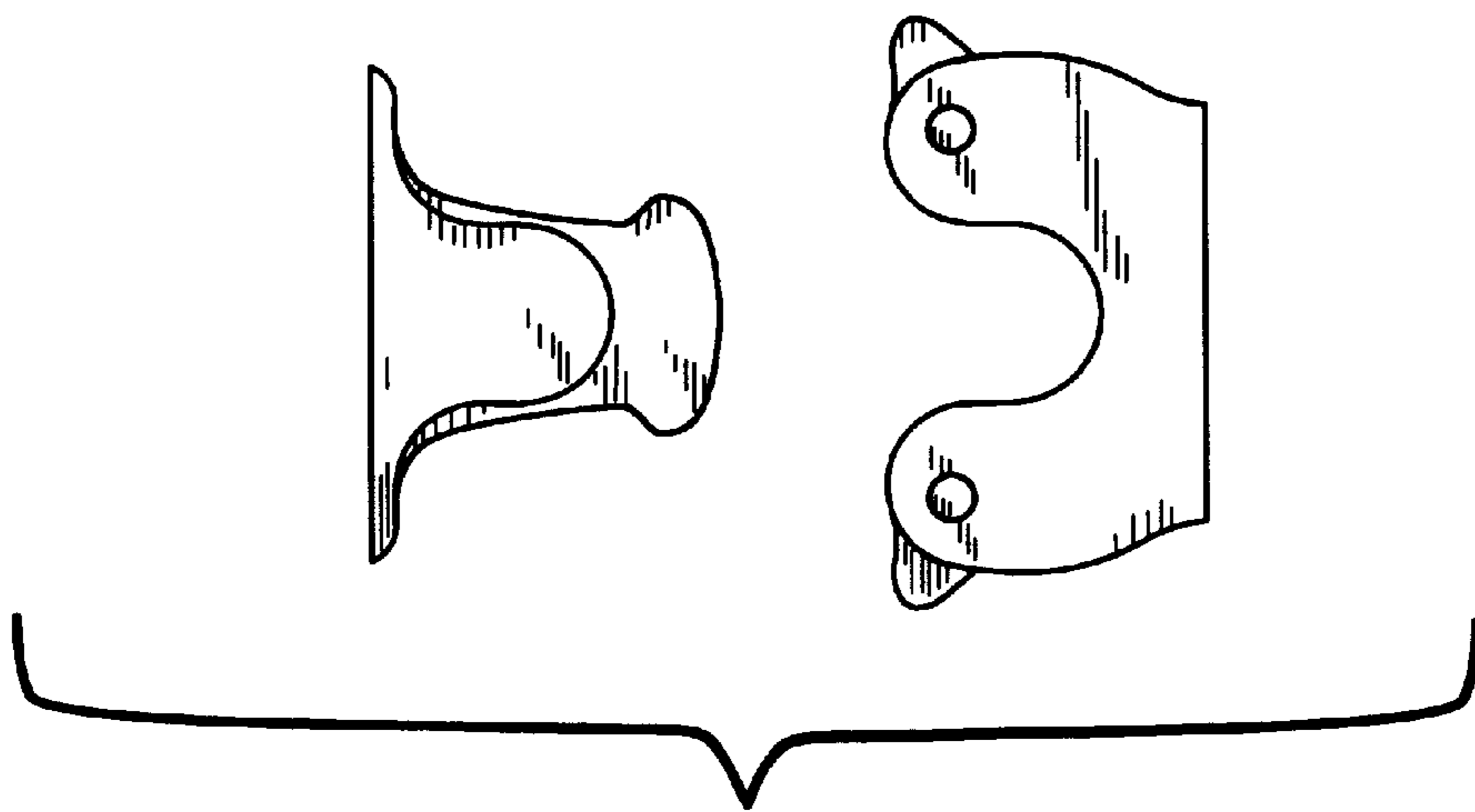


Fig. 7