



US00D444094S

(12) **United States Design Patent**
Boehm

(10) **Patent No.:** **US D444,094 S**

(45) **Date of Patent:** **** Jun. 26, 2001**

(54) **WEDDING RING JEWELRY**

(76) Inventor: **Kristi A. Boehm**, 5010 Foxhollow
Blvd., Spring, TX (US) 77389

(**) Term: **14 Years**

(21) Appl. No.: **29/094,988**

(22) Filed: **Oct. 14, 1998**

(51) **LOC (7) Cl.** **11-01**

(52) **U.S. Cl.** **D11/26**

(58) **Field of Search** D11/26-39, 202,
D11/222, 41, 43, 48, 75, 79, 77, 81, 95;
63/15, 15.1, 15.7, 15.45, 29.1, 1.12, 31

(56) **References Cited**

U.S. PATENT DOCUMENTS

D. 27,529	*	8/1897	Stiebel	63/1.12
D. 88,561	*	12/1932	Levi	D11/28
D. 118,386	*	1/1940	Pajzs	D11/32
D. 133,110	*	7/1942	Sohmer	D11/26
D. 139,849	*	12/1944	Dieges	D11/26
D. 153,023	*	3/1949	Philippe	D11/75
D. 159,495		8/1950	Linden	.	
D. 161,526	*	1/1951	Philippe	D11/43
D. 178,743		9/1956	Walley	.	
D. 225,368	*	12/1972	Adams	D11/36
D. 252,802	*	9/1979	Lavin	D11/29
D. 256,403	*	8/1980	Hocq	D11/202
299,051	*	5/1884	Brettner	63/15
D. 309,276	*	7/1990	Mejias	D11/26
D. 309,277	*	7/1980	Mejias	D11/27
D. 310,795	*	9/1990	Boivin	D11/202
D. 392,585	*	3/1998	Kohl	D11/26
D. 399,779	*	10/1998	Bulgari	D11/29

D. 404,331	*	1/1999	Seibel	D11/26
D. 411,965	*	7/1999	Ruegg, Sr.	D11/40
D. 429,474	*	8/2000	Stein	D11/79
1,936,604	*	11/1933	Moldenhauer	63/15
1,972,128	*	9/1934	Bobbhoff	36/15
1,979,702		11/1934	Mertens	.	
2,048,878	*	7/1936	Moldenhauer	63/15
2,931,196	*	4/1960	Liftman	63/31
3,804,307		4/1974	Johnston	.	
4,165,621		8/1979	Gould	.	
4,362,031	*	12/1982	Obermuller	63/15
4,841,746		6/1989	Chen	63/15
5,428,974	*	7/1995	Shinohara	63/15
5,600,972	*	2/1997	Magi et al.	63/15.1

* cited by examiner

Primary Examiner—Cathy Anne MacCormac

(74) *Attorney, Agent, or Firm*—Lisa Kimes Jones; Robert W Strozier

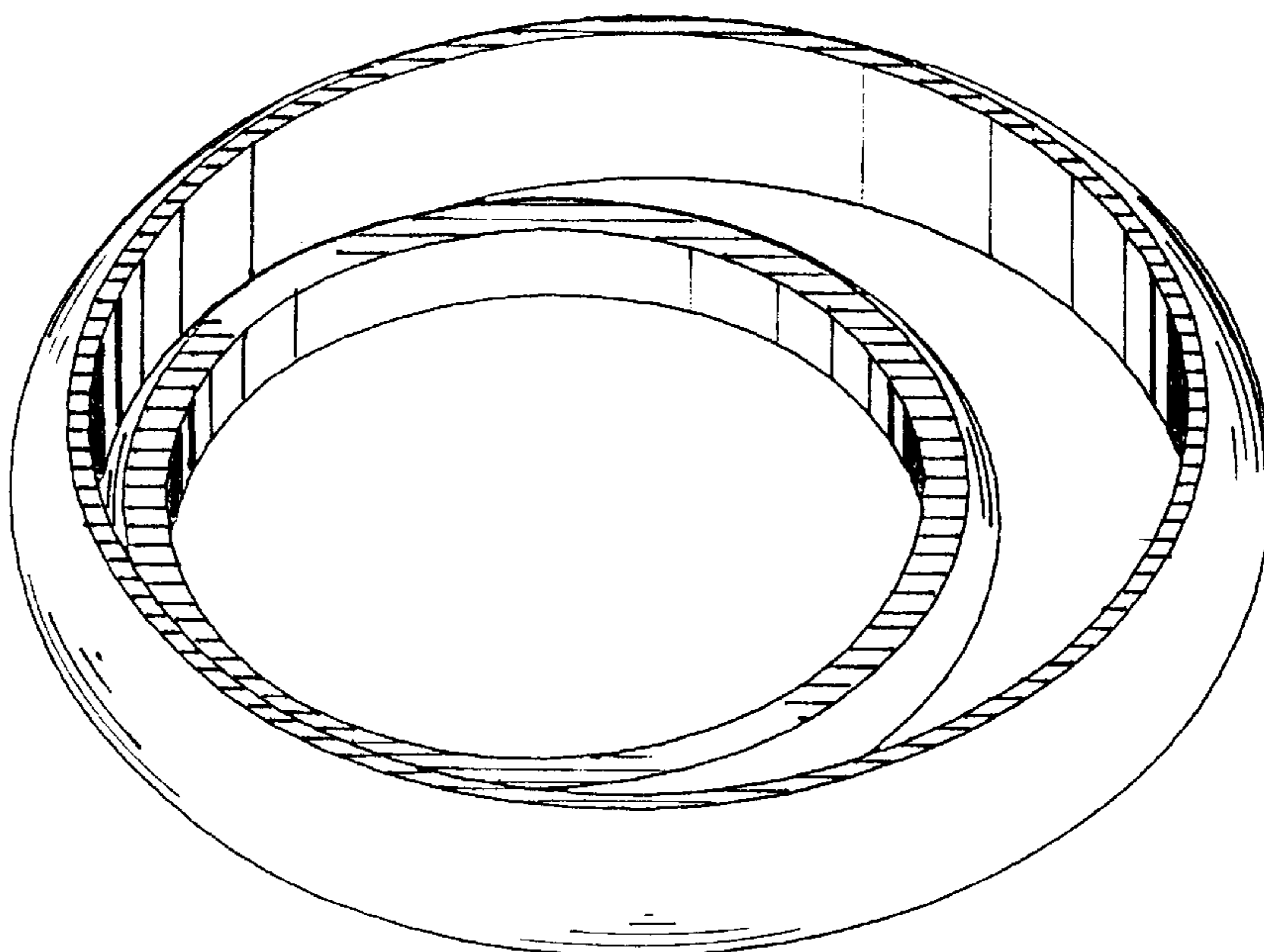
(57) **CLAIM**

The ornamental design for wedding ring jewelry, as shown and described.

DESCRIPTION

FIG. 1 is a front elevation view of the wedding ring jewelry showing my new design;
FIG. 2 is a left elevation view thereof;
FIG. 3 is a rear elevation view thereof;
FIG. 4 is a right elevation view thereof;
FIG. 5 is a rear perspective view thereof;
FIG. 6 is a front perspective view thereof;
FIG. 7 is a top elevation view thereof; and,
FIG. 8 is a bottom elevation view thereof.

1 Claim, 4 Drawing Sheets



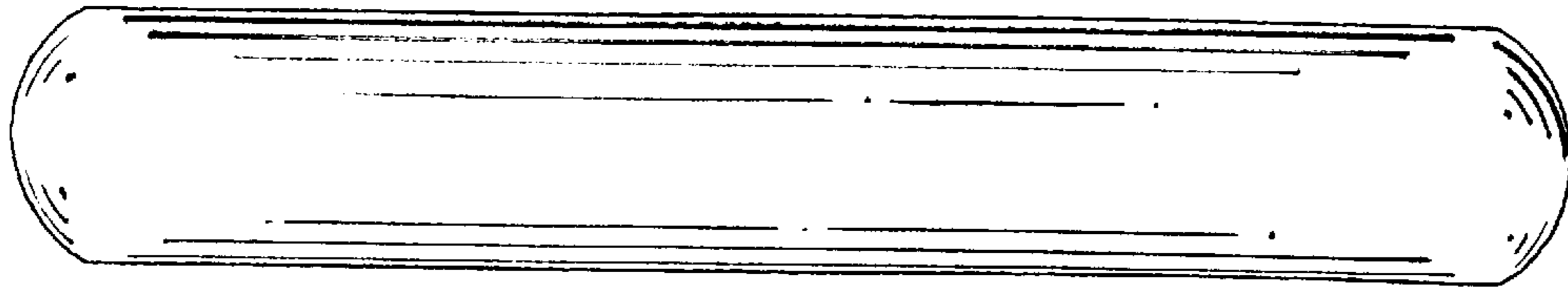


FIG. 2

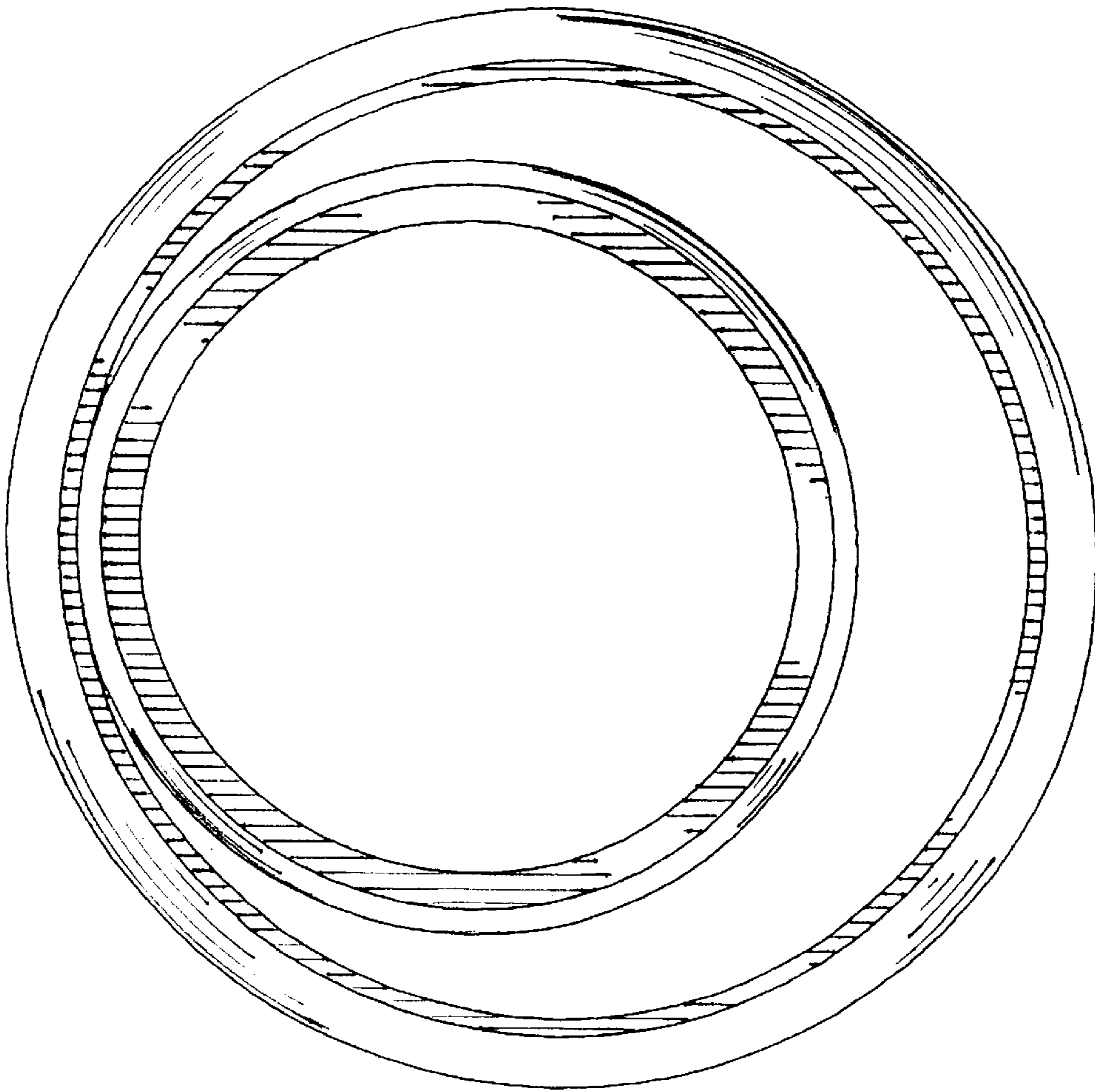


FIG. 1

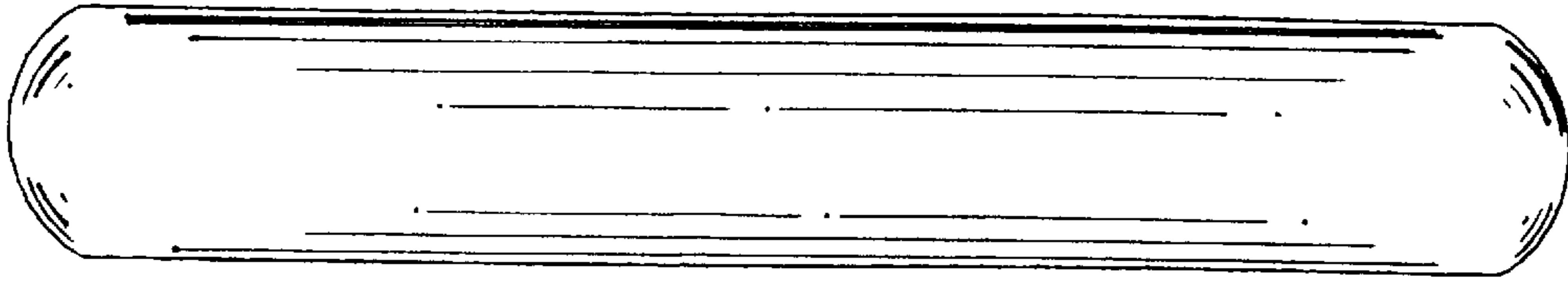


FIG. 4

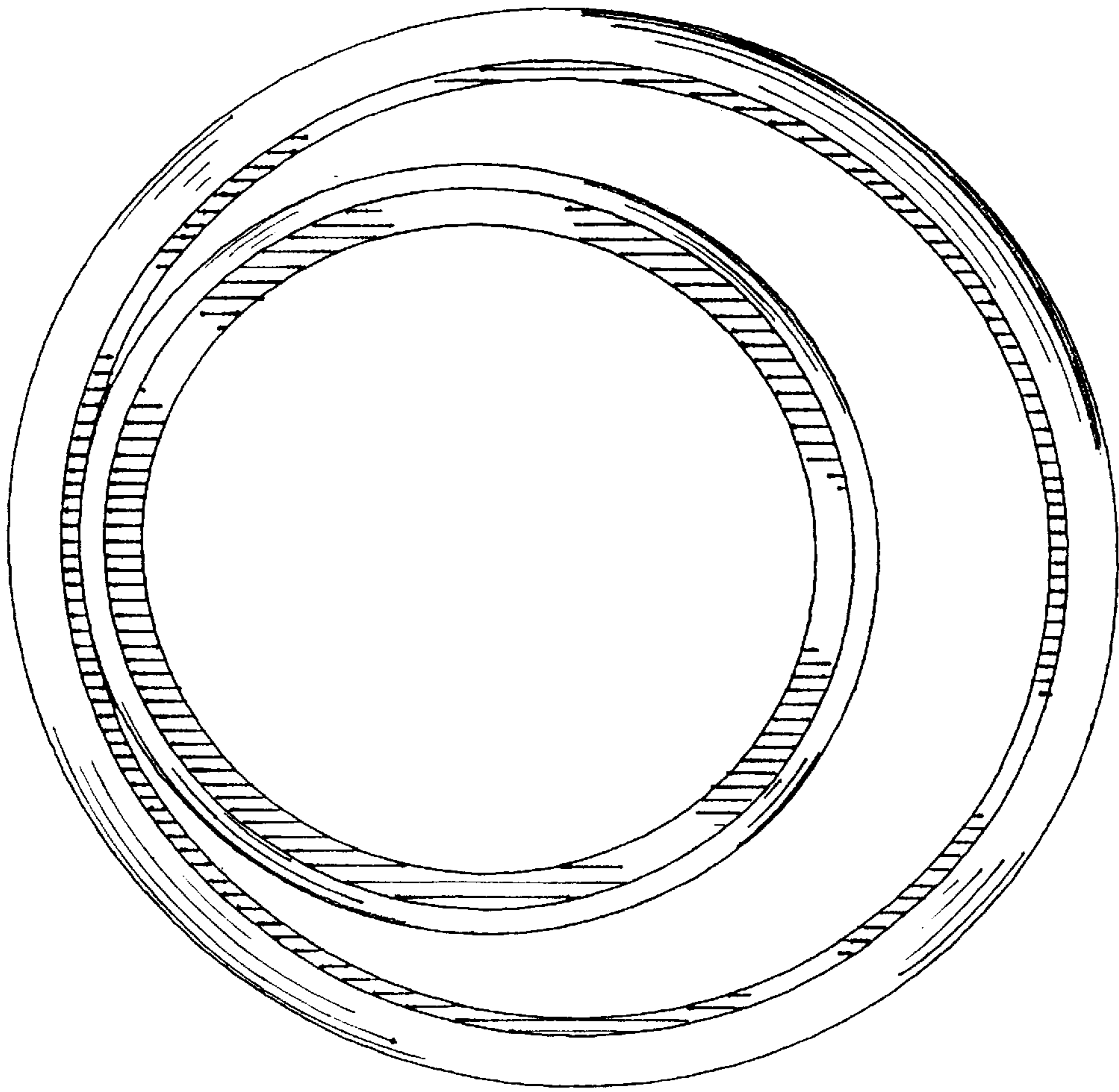


FIG. 3

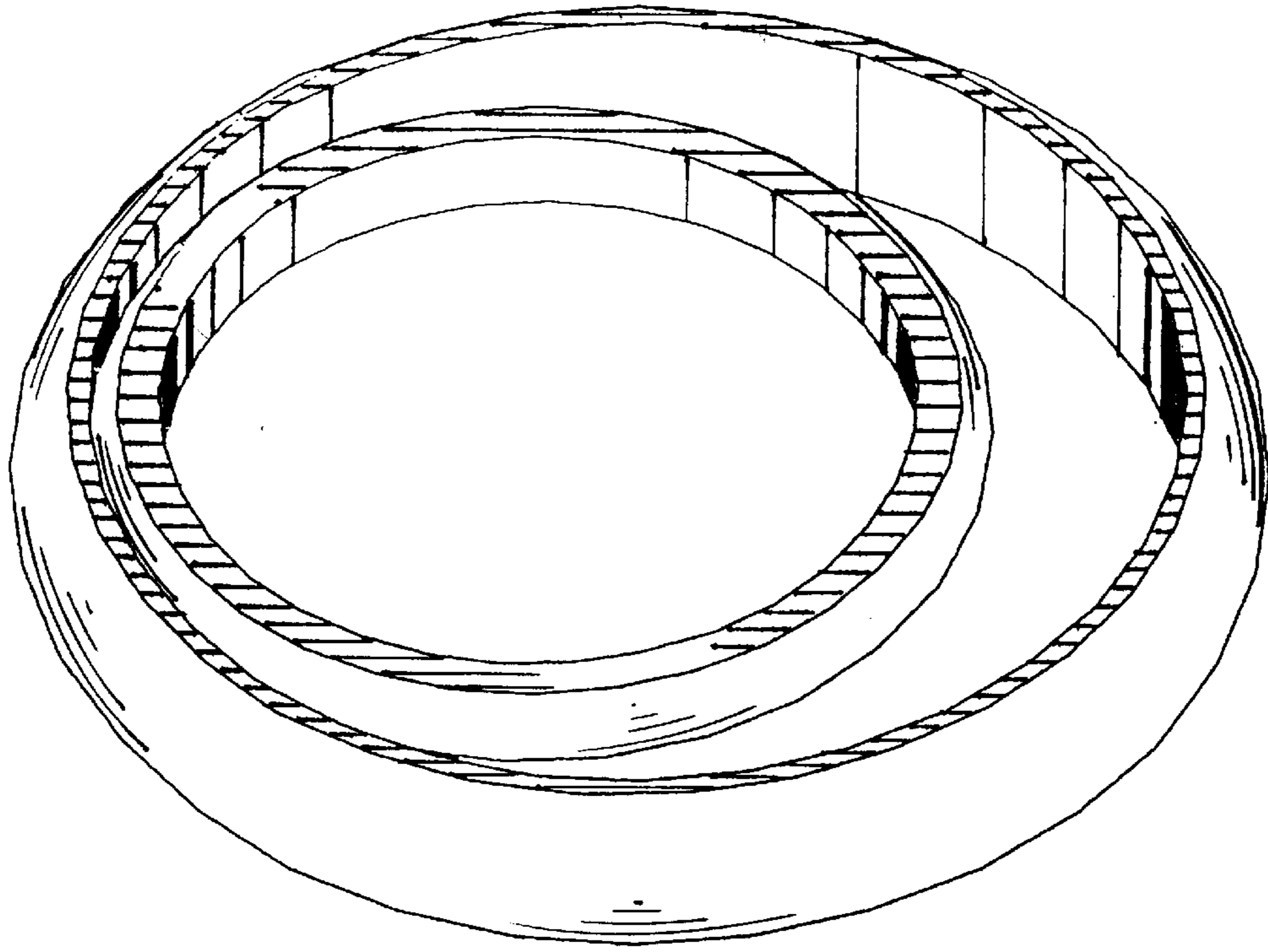


FIG. 6

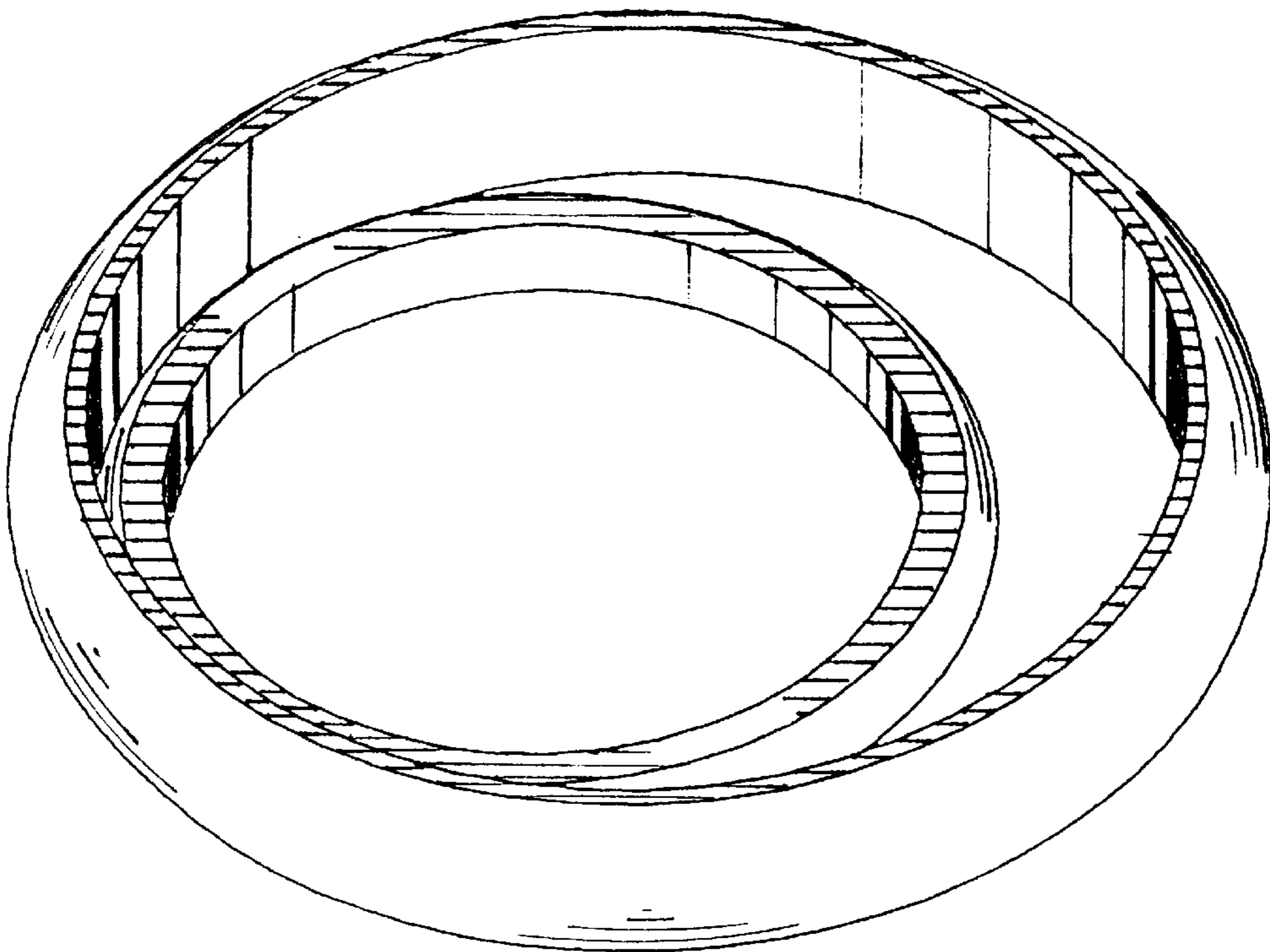


FIG. 5

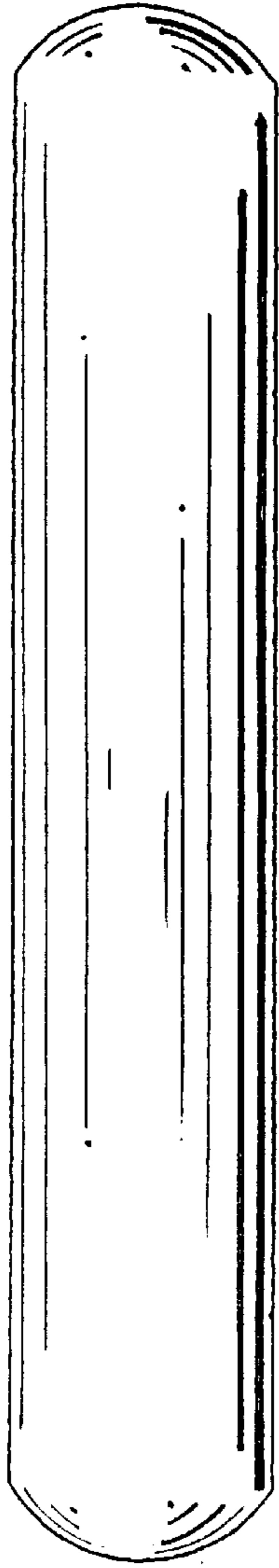


FIG. 7

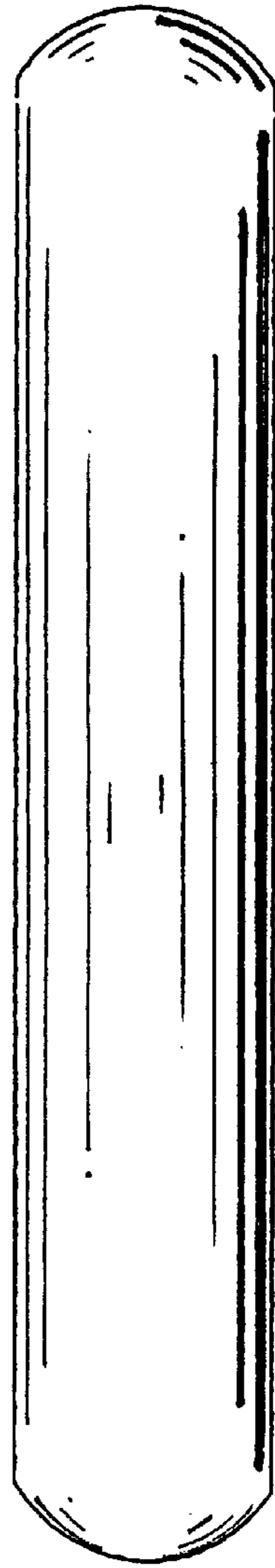


FIG. 8