



US00D444083S

(12) **United States Design Patent**
Ohtani et al.

(10) **Patent No.:** **US D444,083 S**

(45) **Date of Patent:** **** Jun. 26, 2001**

(54) **COMPONENT PART OF A CALIPER**

5,901,458 * 5/1999 Anderson et al. 33/810
6,145,207 * 11/2000 Brunson 33/783

(75) Inventors: **Shigeru Ohtani; Yoshiaki Shiraishi,**
both of **Kawasaki; Yoshiro Asano,**
Tokyo, all of (JP)

* cited by examiner

Primary Examiner—Antoine Duval Davis
(74) *Attorney, Agent, or Firm*—Oliff & Berridge, PLC

(73) Assignee: **Mitutoyo Corporation, Kawasaki (JP)**

(57) **CLAIM**

(**) Term: **14 Years**

The ornamental design for a component part of a caliper, as shown and described.

(21) Appl. No.: **29/122,442**

(22) Filed: **Apr. 28, 2000**

(30) **Foreign Application Priority Data**

Mar. 13, 2000 (JP) 12-005408

(51) **LOC (7) Cl.** **10-04**

(52) **U.S. Cl.** **D10/73**

(58) **Field of Search** D10/73; 33/783-832,
33/DIG. 12

DESCRIPTION

FIG. 1 is a front view of a component part of a caliper according to our design, with environmental parts shown in broken lines;

FIG. 2 is a rear view thereof;

FIG. 3 is a top plan view thereof;

FIG. 4 is a bottom view thereof;

FIG. 5 is a left side view thereof;

FIG. 6 is a right side view thereof; and,

FIG. 7 is a perspective view thereof.

The broken line showing in FIGS. 1-7 is for illustrative purposes only, and does not form part of the claimed design. Any indicia such as measurement indicia, control button indicia and indicia of a proprietary nature, is hereby disclaimed and forms no part of the claimed design.

(56) **References Cited**

U.S. PATENT DOCUMENTS

- D. 334,719 * 4/1993 Yeo D10/73
- D. 377,912 * 2/1997 Walser D10/73
- D. 386,994 * 12/1997 Raymond D10/73
- 5,477,621 * 12/1995 Kolzumi et al. 33/783

1 Claim, 6 Drawing Sheets

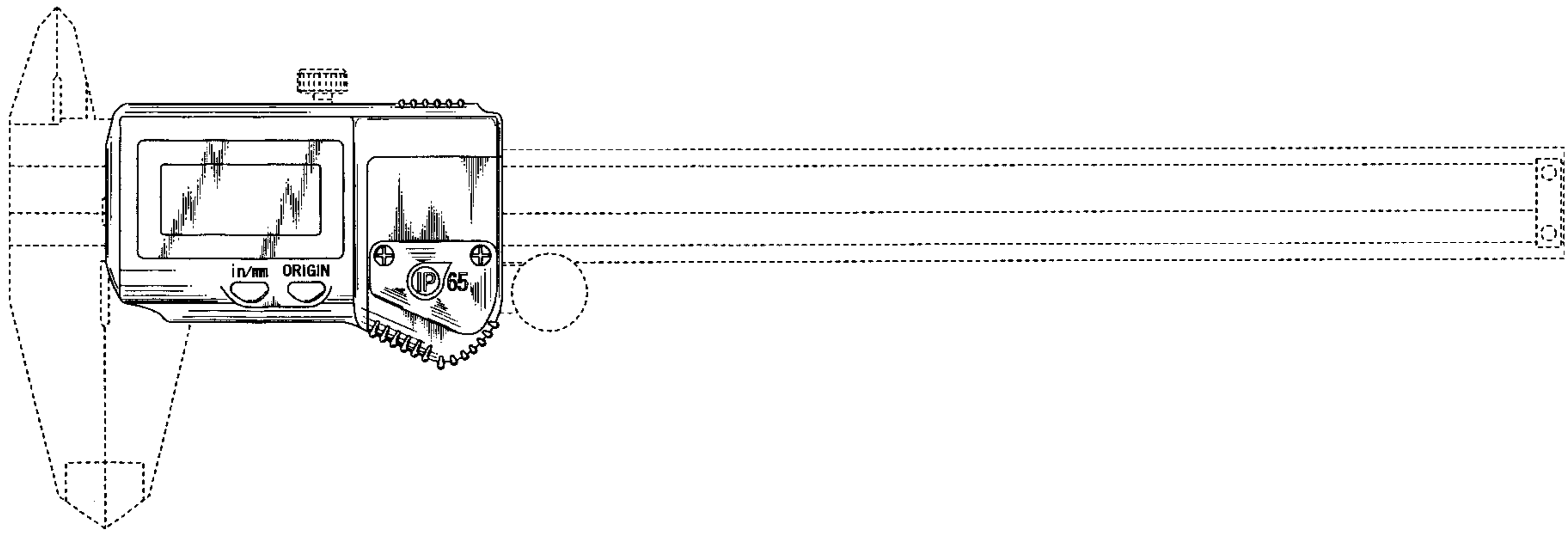


FIG. 1

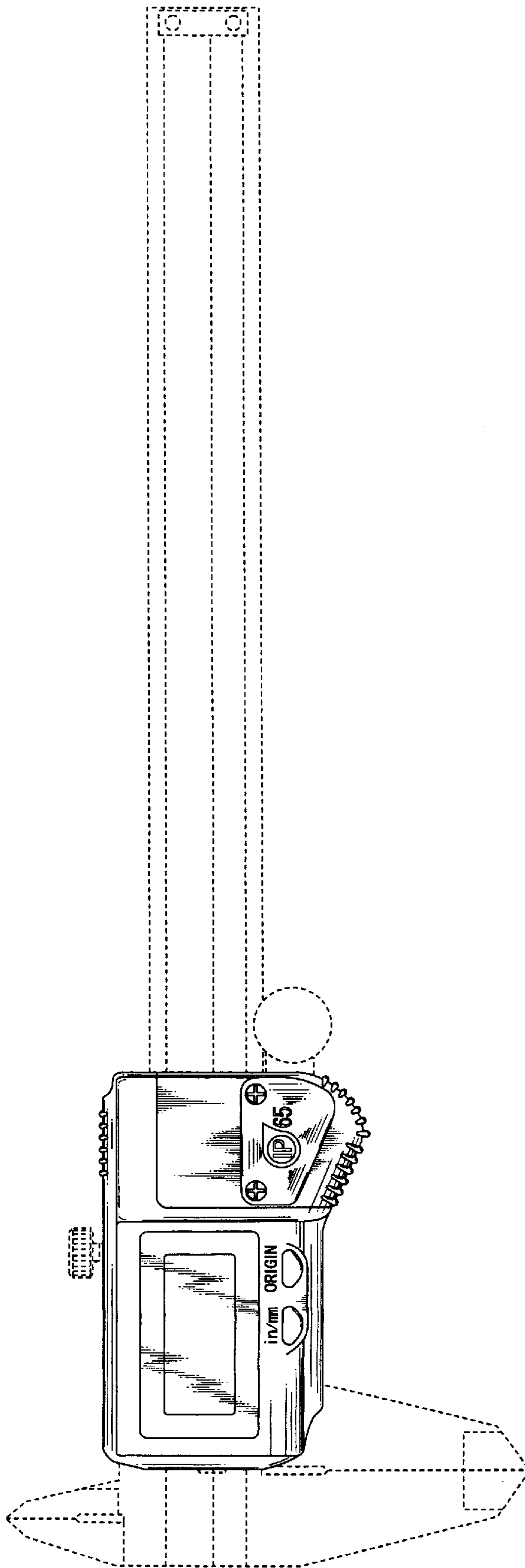


FIG. 2

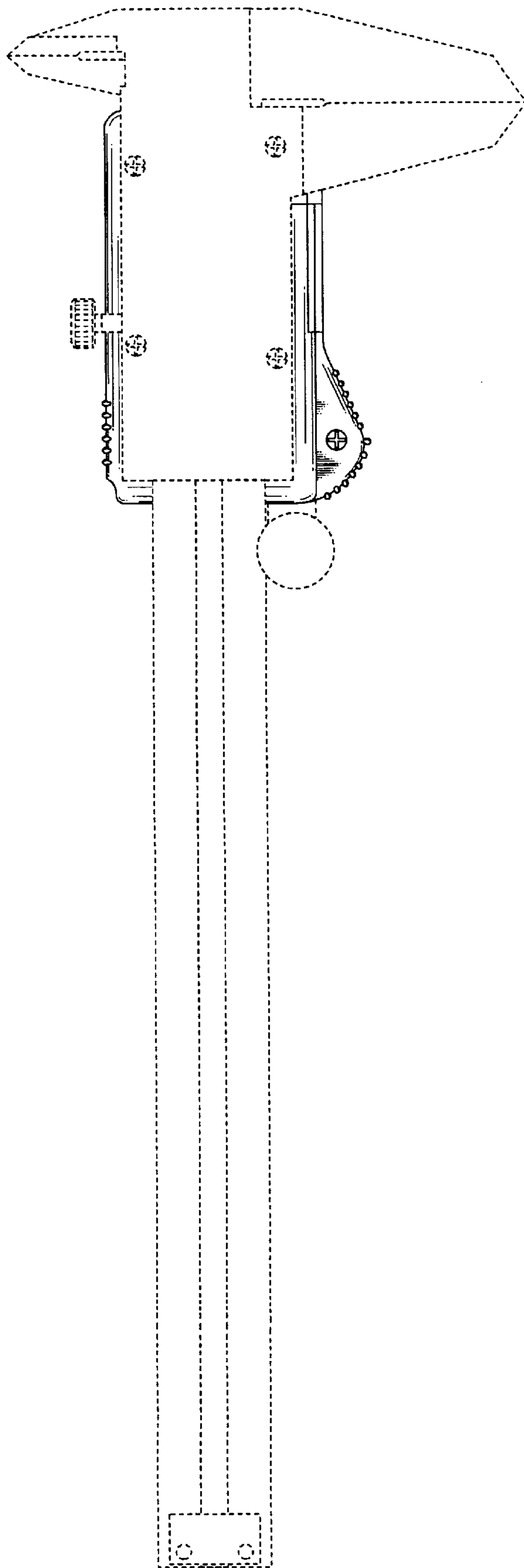


FIG. 3

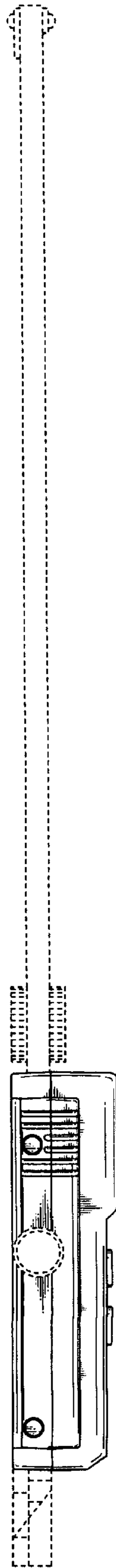


FIG. 4

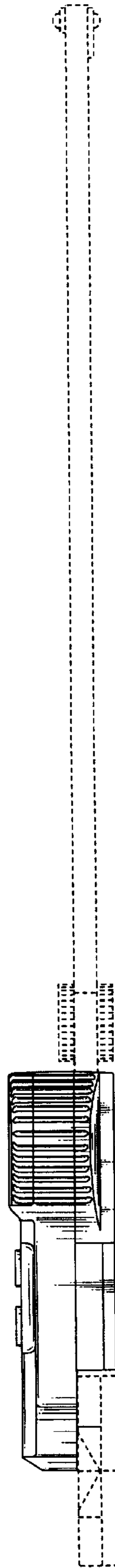


FIG. 6

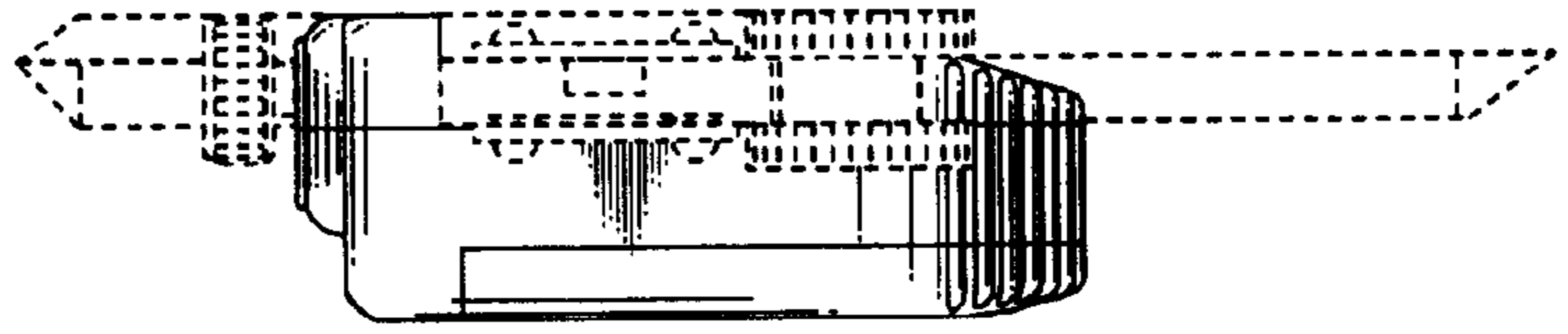


FIG. 5

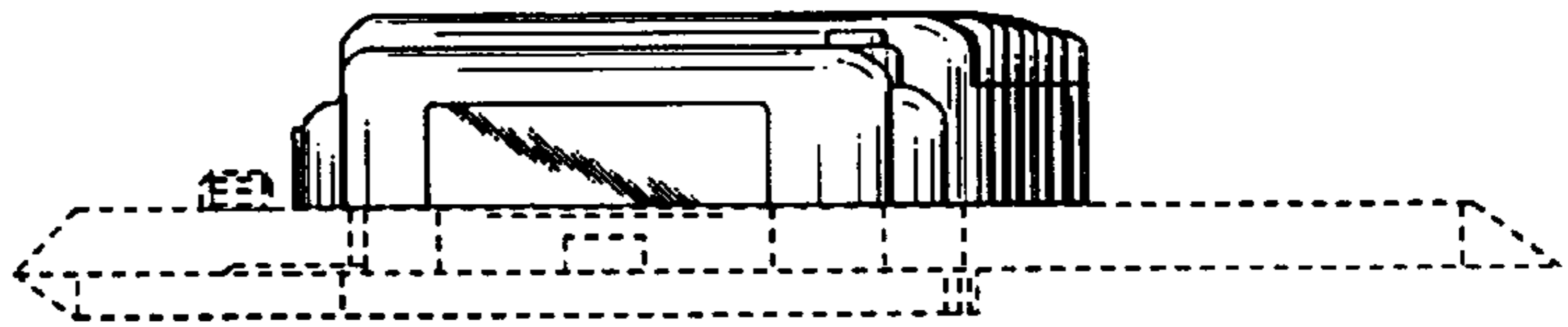


FIG. 7

