



US00D444081S

(12) **United States Design Patent**
Brandenberg et al.

(10) **Patent No.: US D444,081 S**
(45) **Date of Patent: ** Jun. 26, 2001**

(54) **LOCATION-AWARE WIRELESS COMMUNICATION APPLIANCE**
(75) Inventors: **Carl Brock Brandenberg**, Cresson; **R. Brandon Cotter**, Dallas; **Steven DeVoll, Jr.**, Plano; **Robert L. Kay**; **Kenneth J. Maxwell**, both of Fort Worth; **C. Michael Reyher**, Coppell, all of TX (US)

5,929,771 * 7/1999 Gaskill 340/825.44
5,936,609 * 8/1999 Matsuoka et al. 345/156
5,956,021 * 9/1999 Kubota et al. 345/179
6,065,187 * 5/2000 Mischenko 16/341
6,130,665 * 10/2000 Ericsson 345/173

* cited by examiner

Primary Examiner—Antoine Duval Davis
(74) *Attorney, Agent, or Firm*—James E. Walton; Hill & Hunn, LLP

(73) Assignee: **Stick Networks, Inc.**, Dallas, TX (US)
(**) Term: **14 Years**

(57) **CLAIM**

The ornamental design for a location-aware wireless communication appliance, as shown and described.

(21) Appl. No.: **29/129,065**
(22) Filed: **Sep. 5, 2000**

DESCRIPTION

(51) **LOC (7) Cl.** **10-04**
(52) **U.S. Cl.** **D10/65; D10/78; D14/100**
(58) **Field of Search** D10/65, 78; D14/100, D14/106, 113, 115, 218; D19/26, 52, 59, 60; 340/995, 825.44; 345/104, 156, 173, 174, 178; 342/98, 102, 113, 115, 352, 356, 357, 359, 417-451; 364/708.1, 200, 434, 443, 444, 449, 451, 709.11; 434/307-309; 349/12; 73/178 R; 178/18.01, 18.02, 18.05, 18.06; 379/433

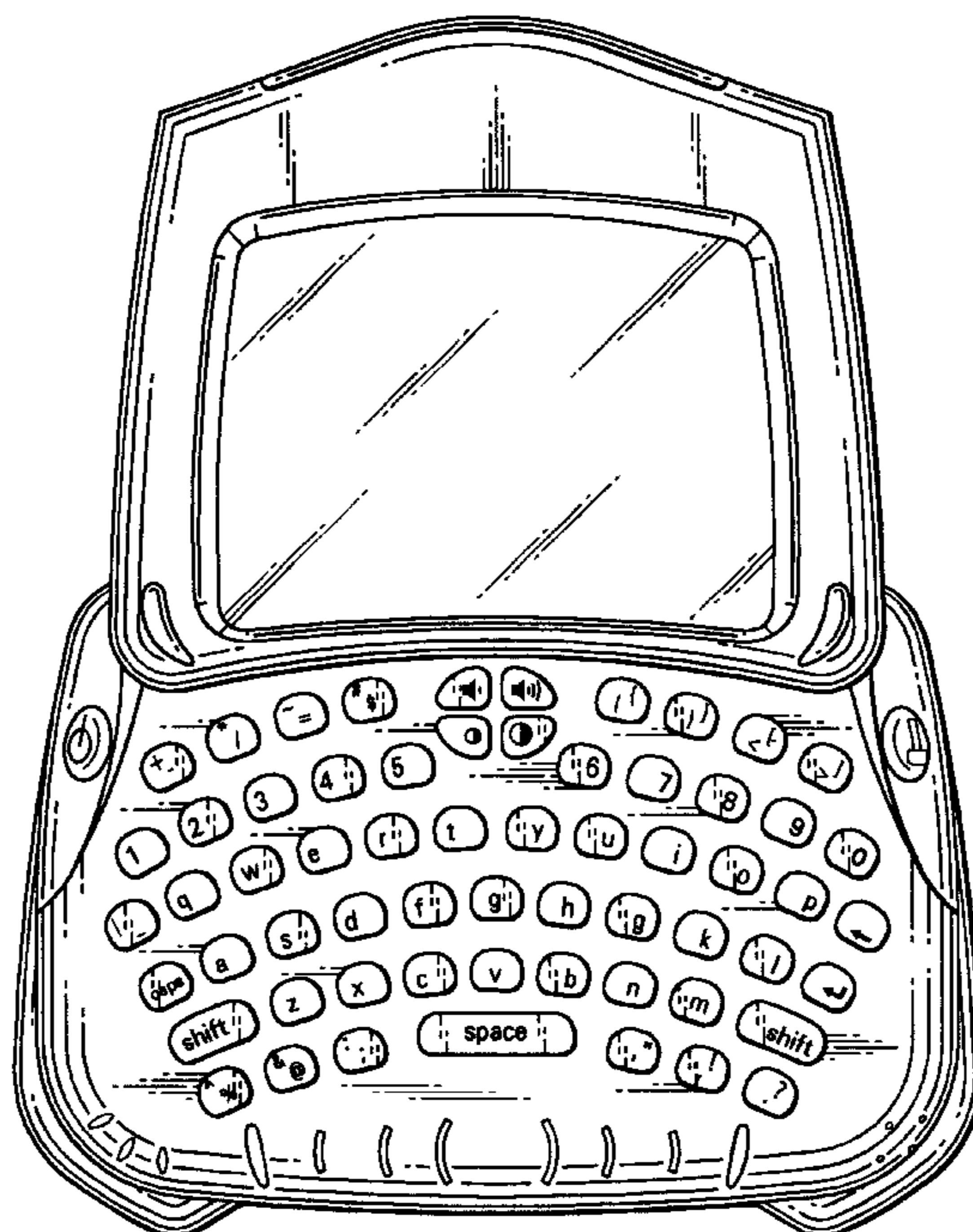
FIG. 1 is a front view of the location-aware wireless communication appliance according to the present invention in a closed mode.
FIG. 2 is a rear view of the location-aware wireless communication appliance according to the present invention in the closed mode.
FIG. 3 is a right side view of the location-aware wireless communication appliance according to the present invention in the closed mode.
FIG. 4 is a bottom view of the location-aware wireless communication appliance according to the present invention in the closed mode.
FIG. 5 is a front view of the location-aware wireless communication appliance according to the present invention in an open mode; and,
FIG. 6 is a rear view of the location-aware wireless communication appliance according to the present invention in the open mode.

(56) **References Cited**

U.S. PATENT DOCUMENTS

D. 366,220 * 1/1996 Sakamoto D10/65
D. 383,400 * 9/1997 Wada D10/65
D. 397,046 * 8/1998 Oshizawa D10/65
D. 412,156 * 7/1999 Mizusugi et al. D14/100
D. 413,582 * 9/1999 Tompkins D14/100
D. 417,201 * 11/1999 Davis D14/100

1 Claim, 4 Drawing Sheets



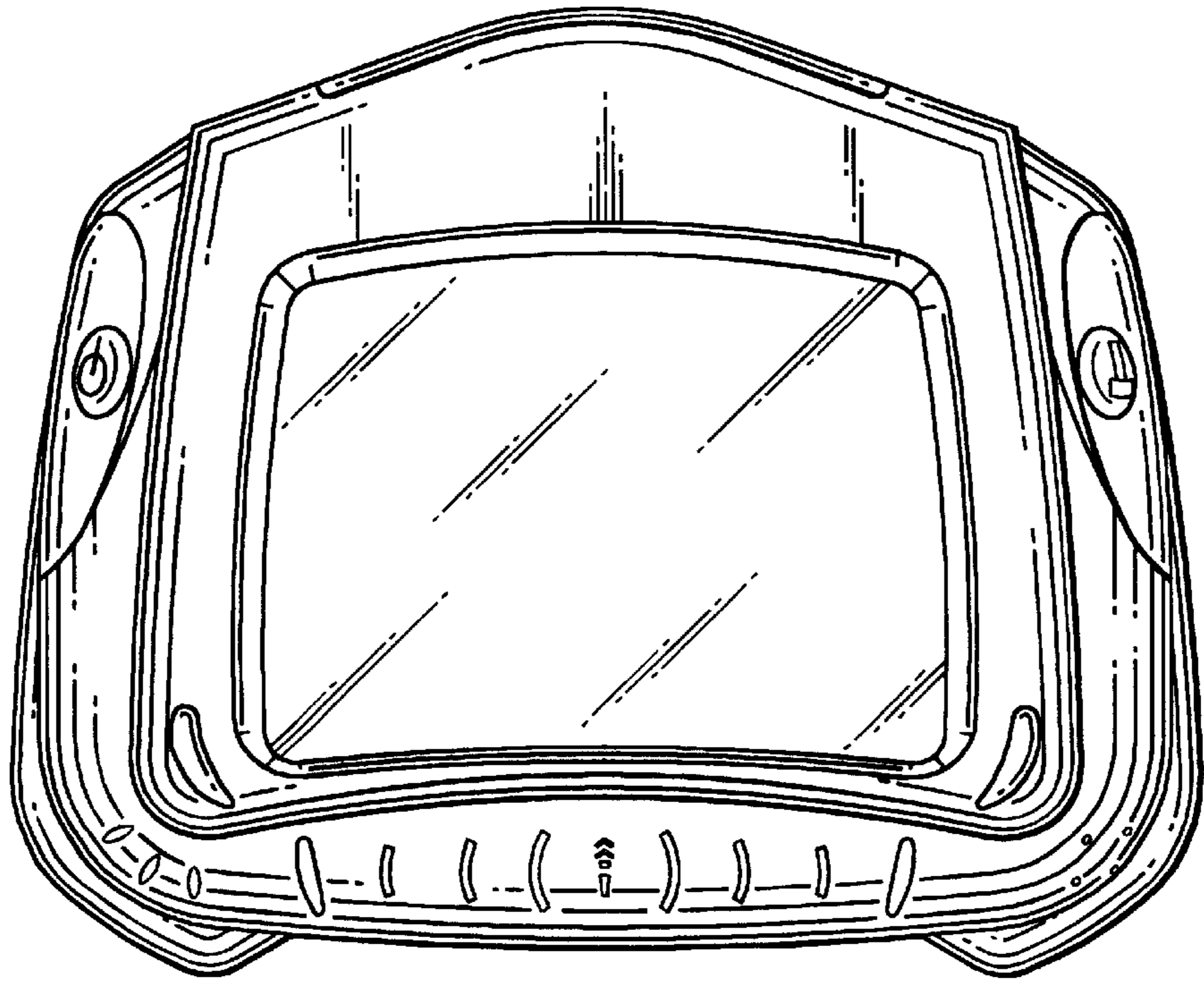


Fig. 1

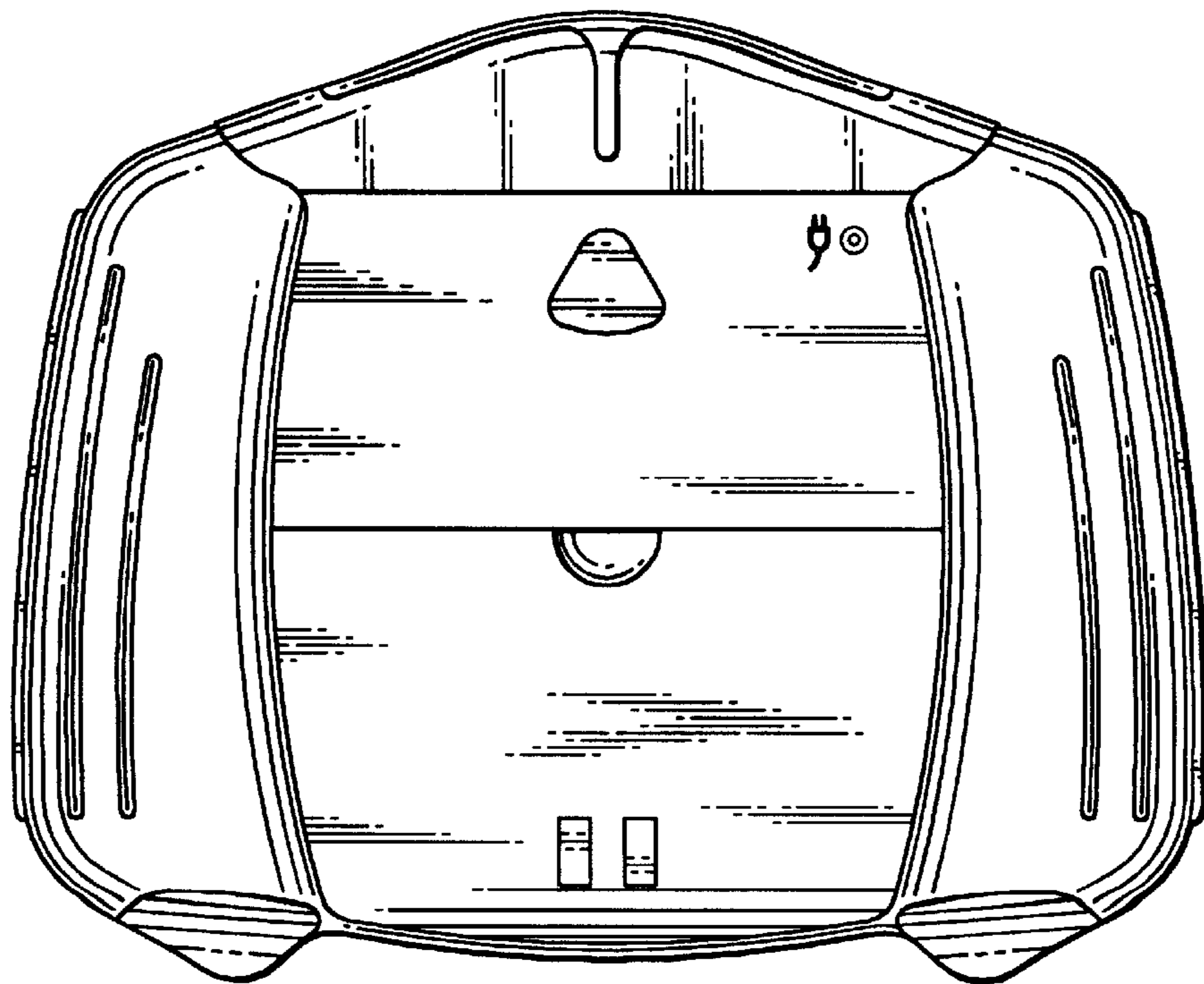


Fig. 2

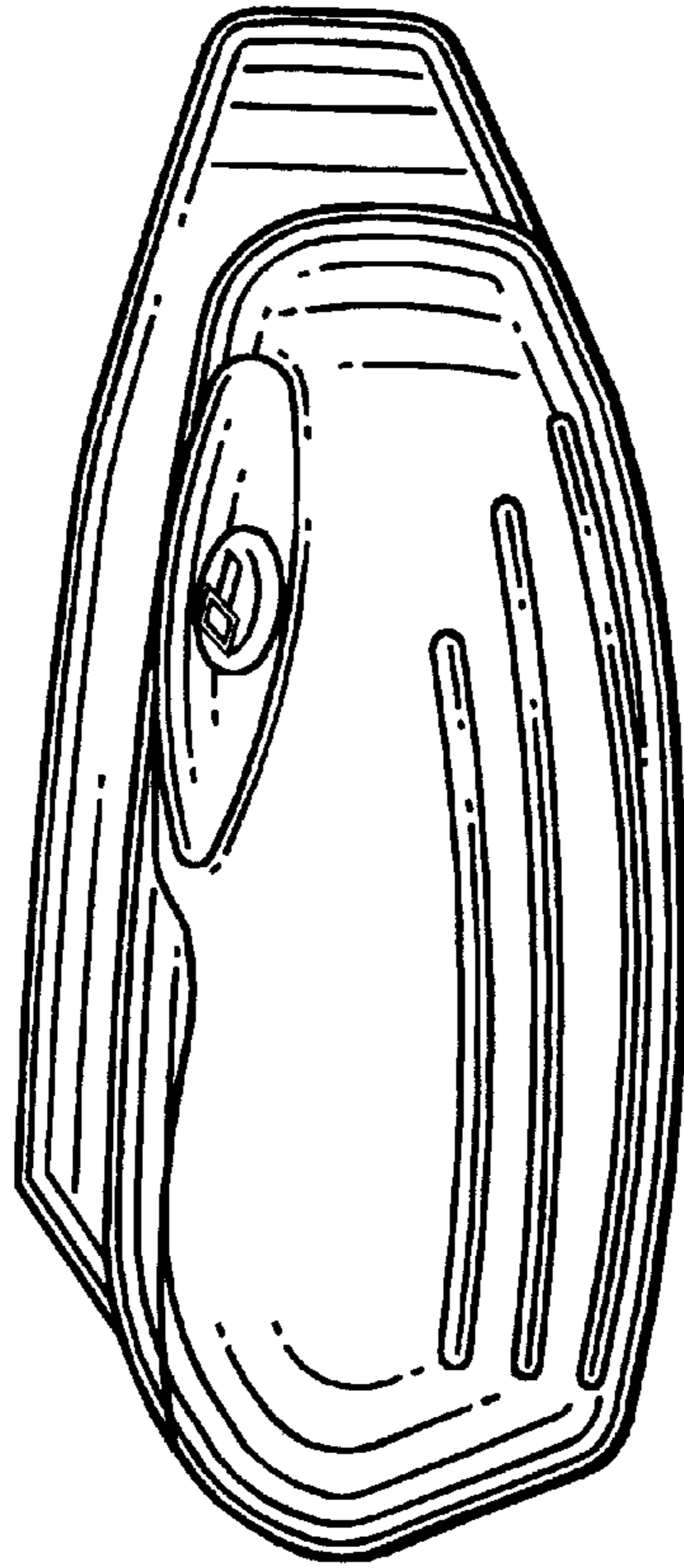


Fig. 3

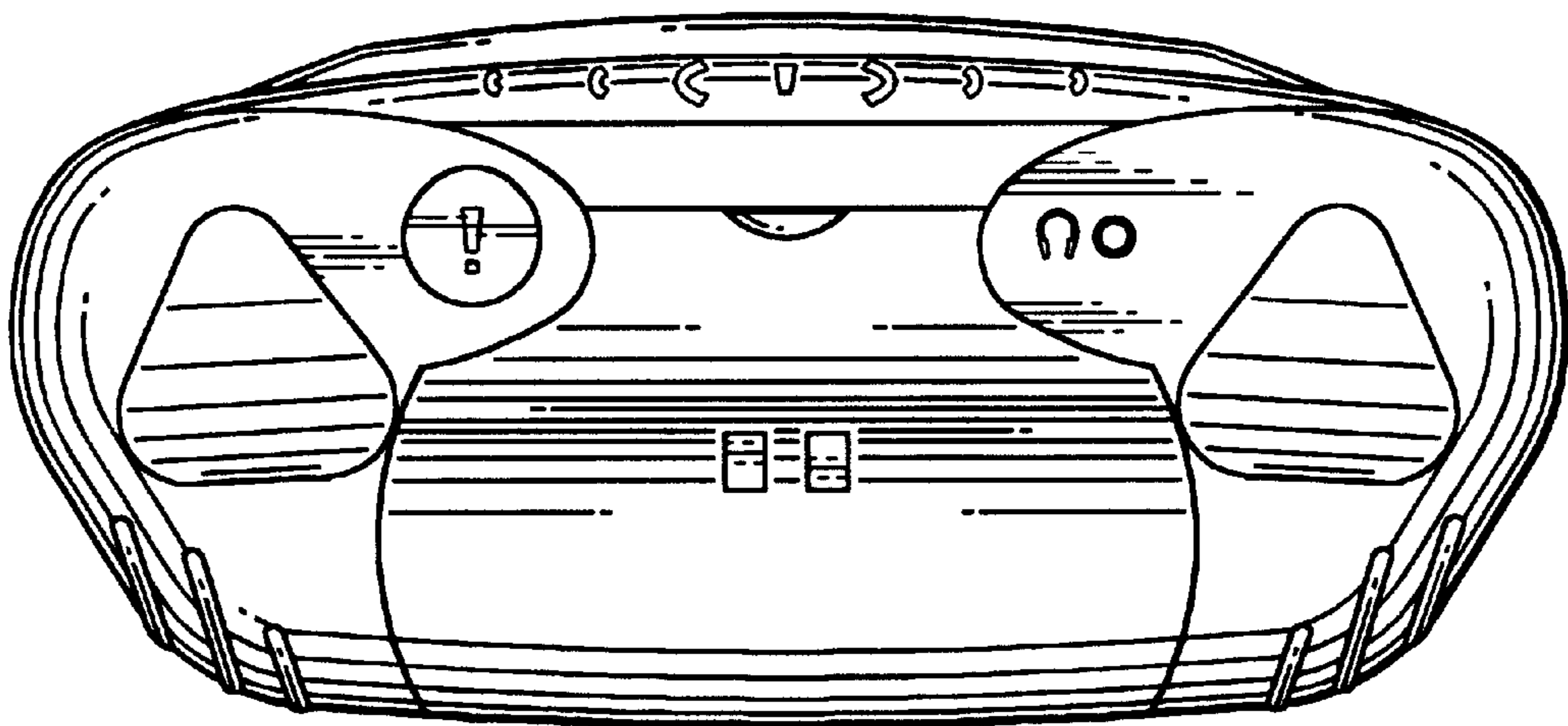


Fig. 4

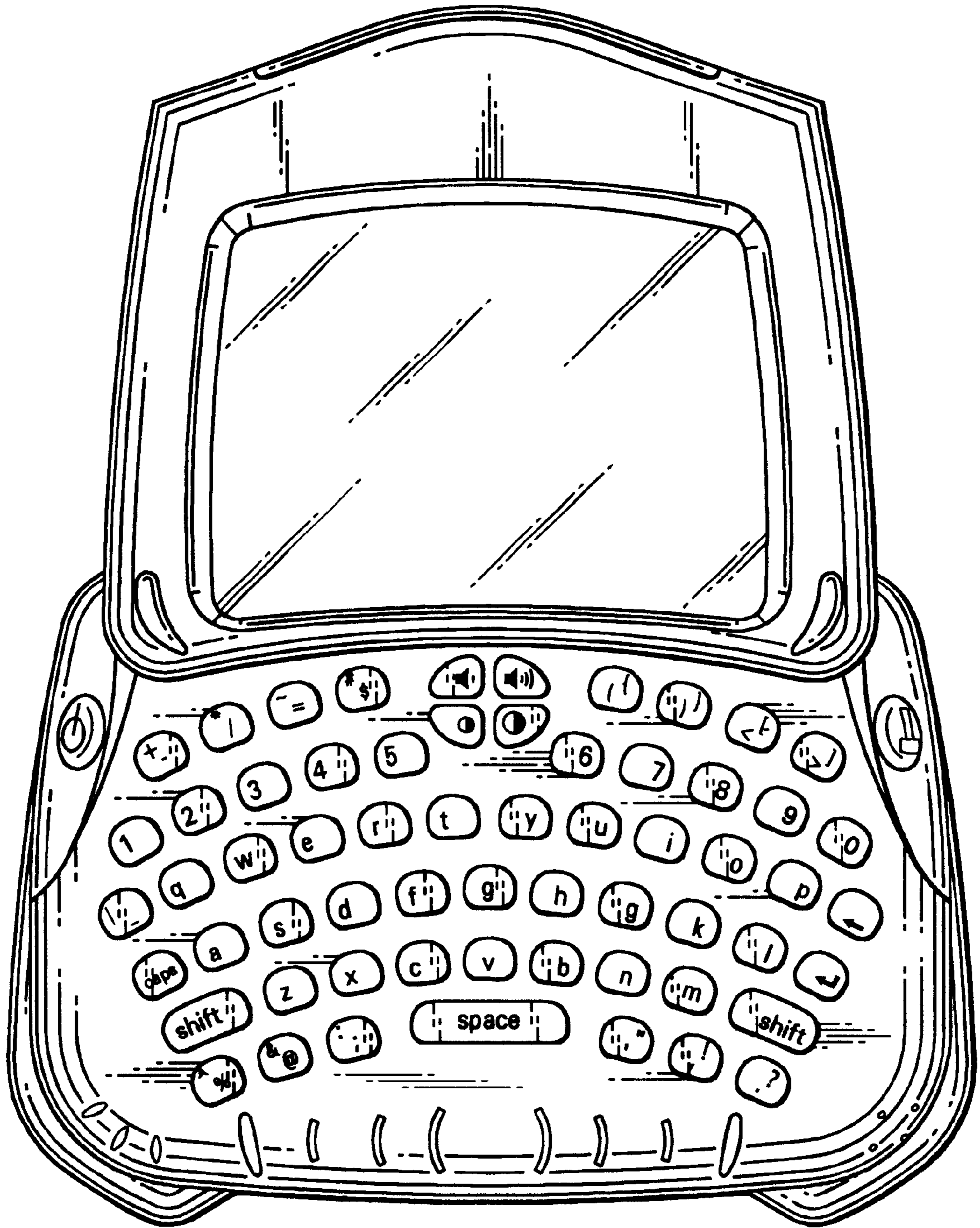


Fig. 5

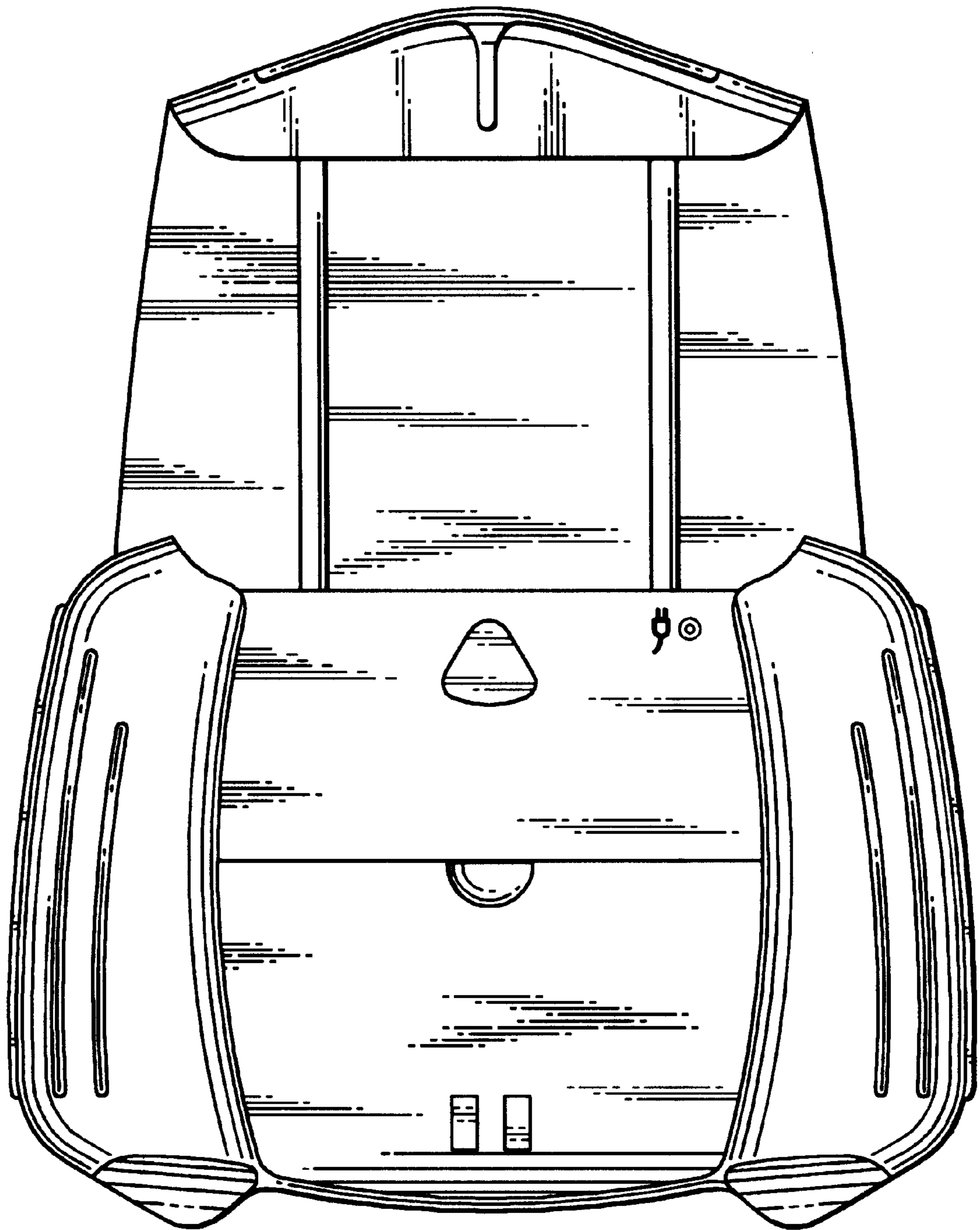


Fig. 6