



US00D444080S

(12) **United States Design Patent**
Wertz

(10) **Patent No.:** **US D444,080 S**
(45) **Date of Patent:** **** Jun. 26, 2001**

(54) **HAND AND TELEGRAPH KEY WHIRLIGIG**

* cited by examiner

(76) Inventor: **Robert Charles Wertz**, 6315 E.
Townsend-Winona Rd., Flagstaff, AZ
(US) 86004

Primary Examiner—Antoine Duval Davis

(**) Term: **14 Years**

(57) **CLAIM**

The ornamental design for a hand and telegraph key whirligig, as shown and described.

(21) Appl. No.: **29/129,417**

(22) Filed: **Sep. 15, 2000**

DESCRIPTION

(51) **LOC (7) Cl.** **10-04**

FIG. 1 is an elevated side view of a hand and telegraph key whirligig showing my new design.

(52) **U.S. Cl.** **D10/59**

(58) **Field of Search** D10/59; 73/178 R,
73/188, 189, 170.05–170.08, 170.11, 861.74;
116/773

FIG. 2. is an elevated rear view of a hand and telegraph key whirligig showing my new design.

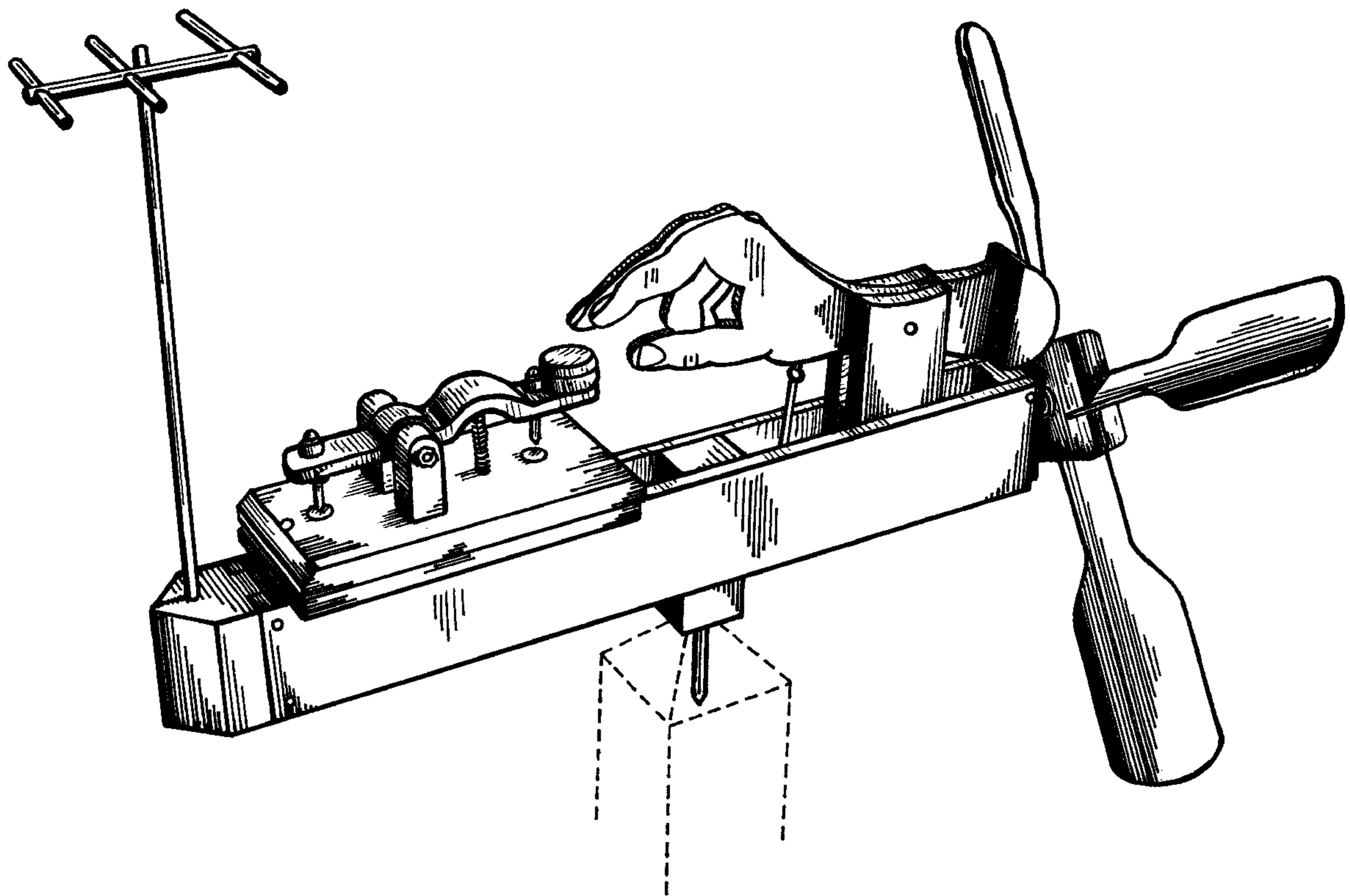
The broken line showing is for illustrative purposes only and forms no part of the claimed design.

(56) **References Cited**

U.S. PATENT DOCUMENTS

D. 160,364 * 10/1950 Brown D10/59

1 Claim, 2 Drawing Sheets



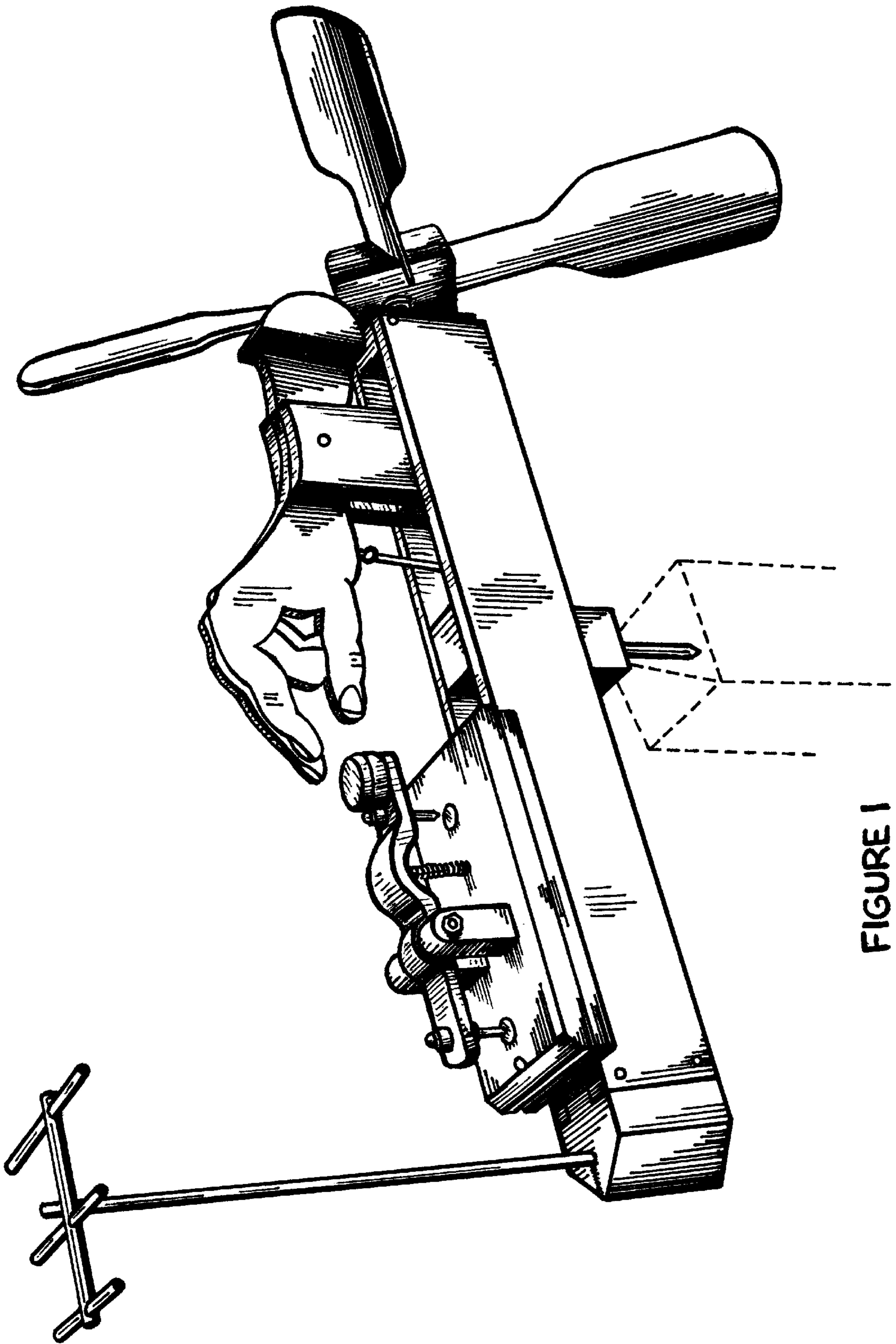


FIGURE 1

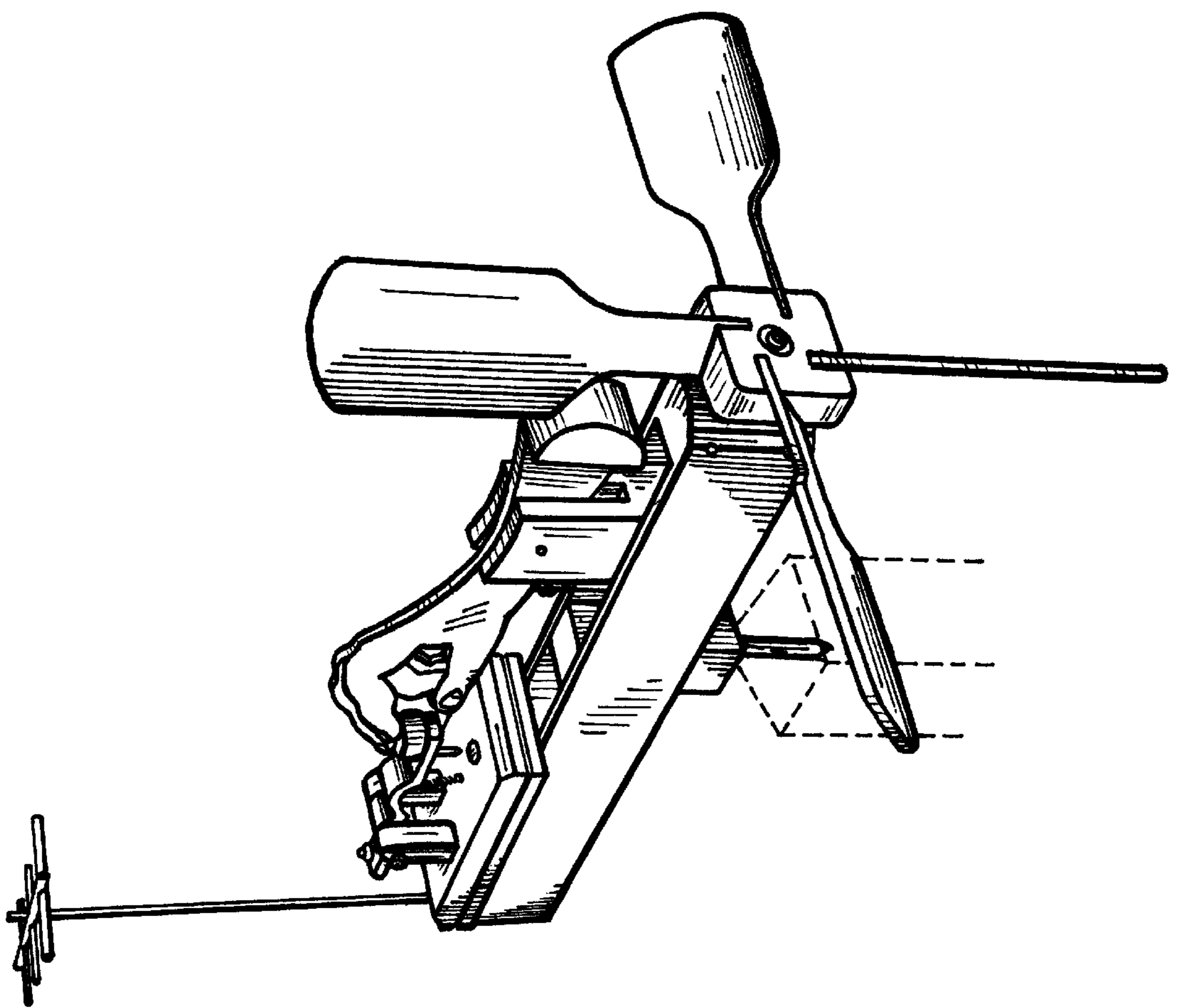


FIGURE 2