



US00D444077S

(12) **United States Design Patent**
Blondin

(10) **Patent No.:** **US D444,077 S**

(45) **Date of Patent:** **** Jun. 26, 2001**

(54) **WATCH CASE**

(75) **Inventor:** **Valérie Blondin, Geneva (CH)**

(73) **Assignee:** **Rolex Watch, U.S.A., Inc., New York, NY (US)**

(**) **Term:** **14 Years**

(21) **Appl. No.:** **29/112,860**

(22) **Filed:** **Oct. 22, 1999**

(30) **Foreign Application Priority Data**

Apr. 27, 1999 (CH) 125995

(51) **LOC (7) Cl.** **10-02**

(52) **U.S. Cl.** **D10/39**

(58) **Field of Search** D10/1-40, 122-132;
368/280-282, 276-277, 285

(56) **References Cited**

U.S. PATENT DOCUMENTS

- D. 137,270 * 2/1944 Ouellet D10/30
- D. 381,585 * 7/1997 Gogniat D10/32
- D. 385,201 * 10/1997 Jou D10/32
- D. 420,293 * 2/2000 Parmigiani D10/30
- D. 422,514 * 4/2000 Diltoer et al. D10/39

- 2,004,685 * 6/1935 Best D10/32 X
- 2,075,451 * 3/1937 Mix D10/32 X
- 2,313,073 * 3/1943 Hovey D10/32 X
- 2,456,319 * 12/1948 Read D10/32 X
- 2,458,793 * 1/1949 O'Donnell 224/171

OTHER PUBLICATIONS

Swiss Watch & Jewelry Journal—Jun. 1982—p. 635—watch.*

* cited by examiner

Primary Examiner—Nelson C. Holtje

(74) *Attorney, Agent, or Firm*—Morgan & Finnegan, LLP

(57) **CLAIM**

The ornamental design in a watch case, as shown.

DESCRIPTION

FIG. 1 is a front perspective view of my ornamental design for a watch case;

FIG. 2 is a front plan thereof;

FIG. 3 is a rear plan thereof;

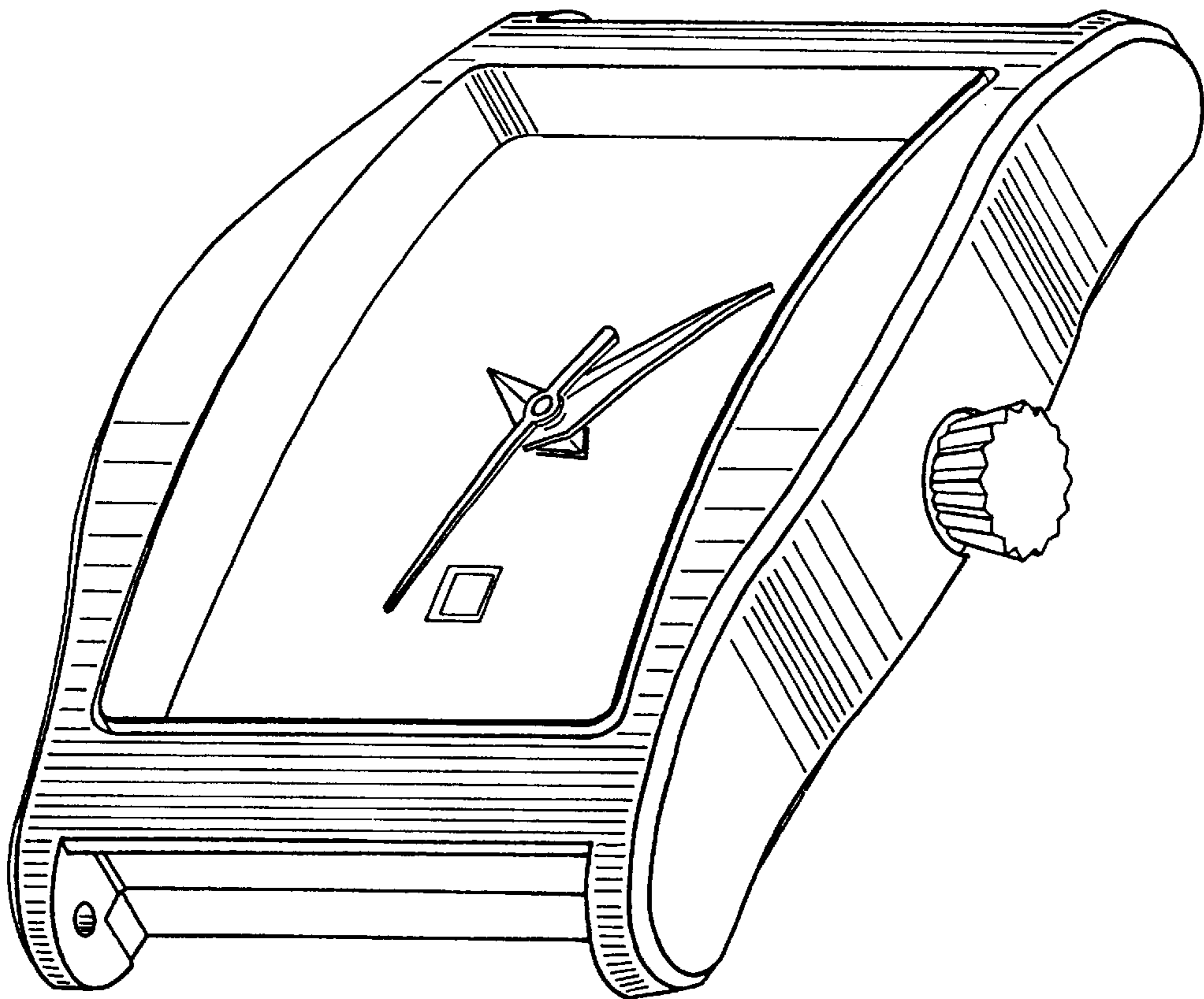
FIG. 4 is a right side view thereof;

FIG. 5 is a left hand side thereof;

FIG. 6 is a top side view thereof; and,

FIG. 7 is a bottom side view thereof.

1 Claim, 5 Drawing Sheets



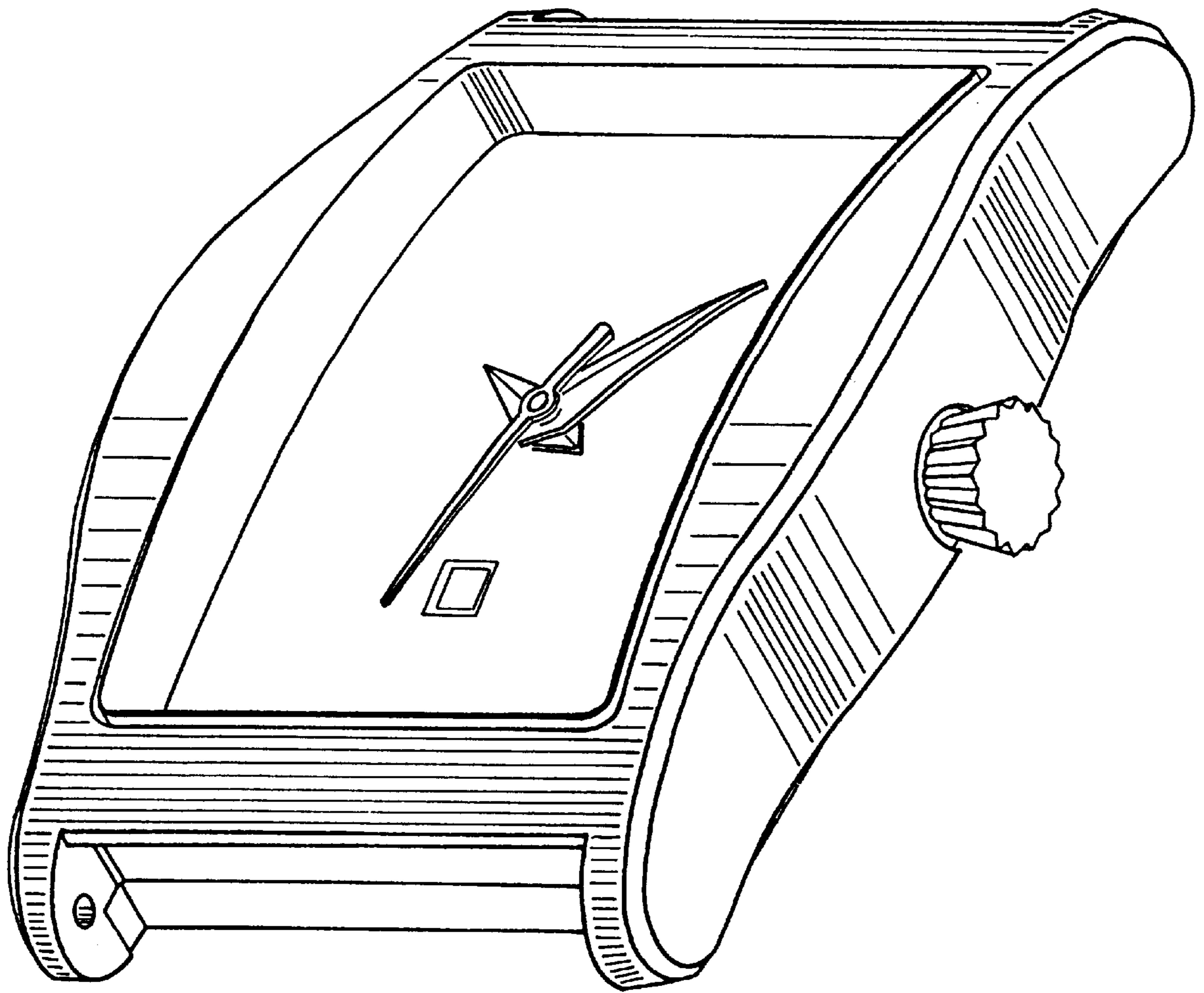


FIG.1

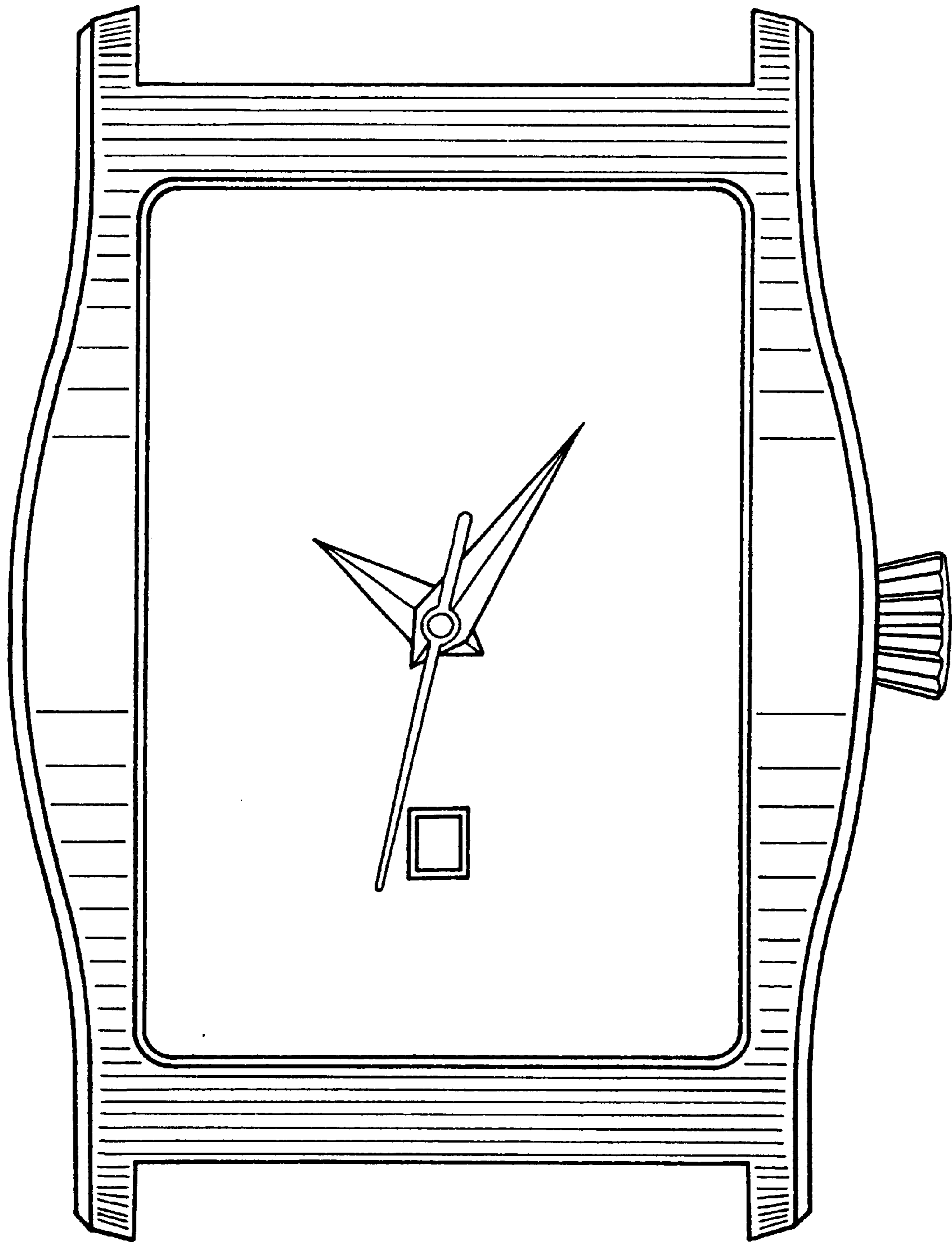


FIG. 2

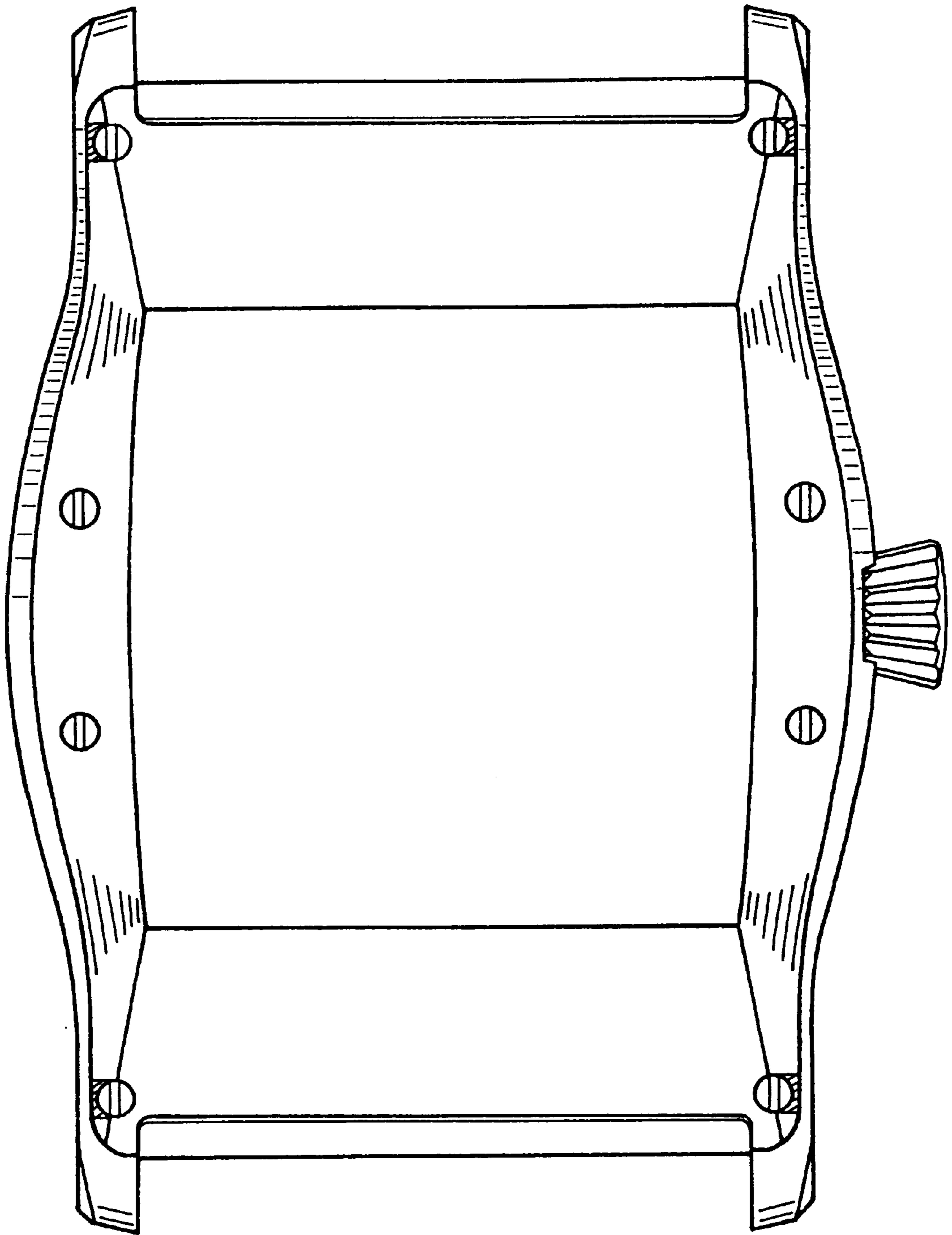


FIG.3

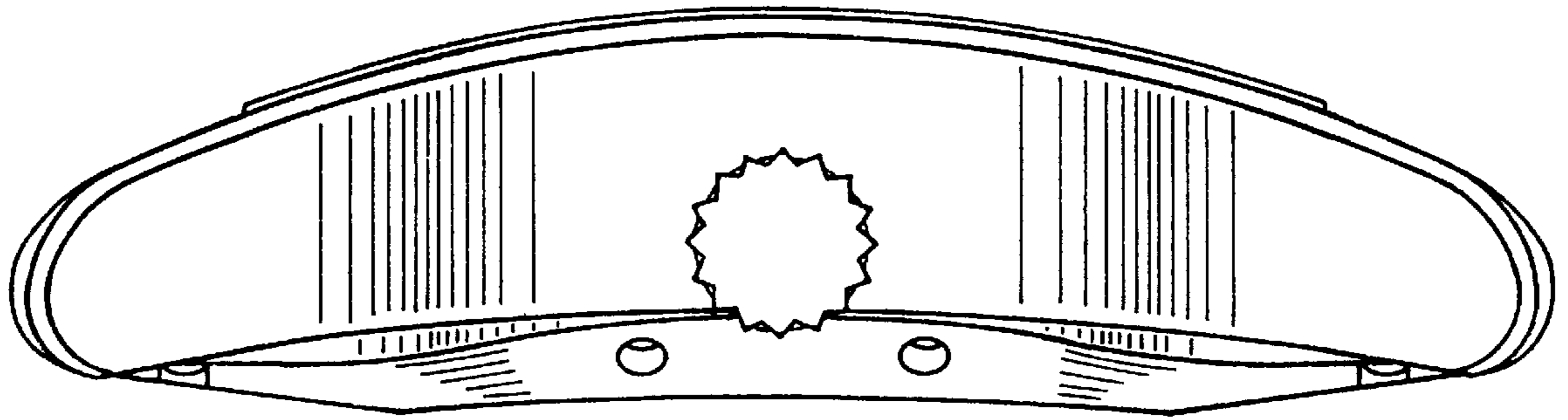


FIG. 4

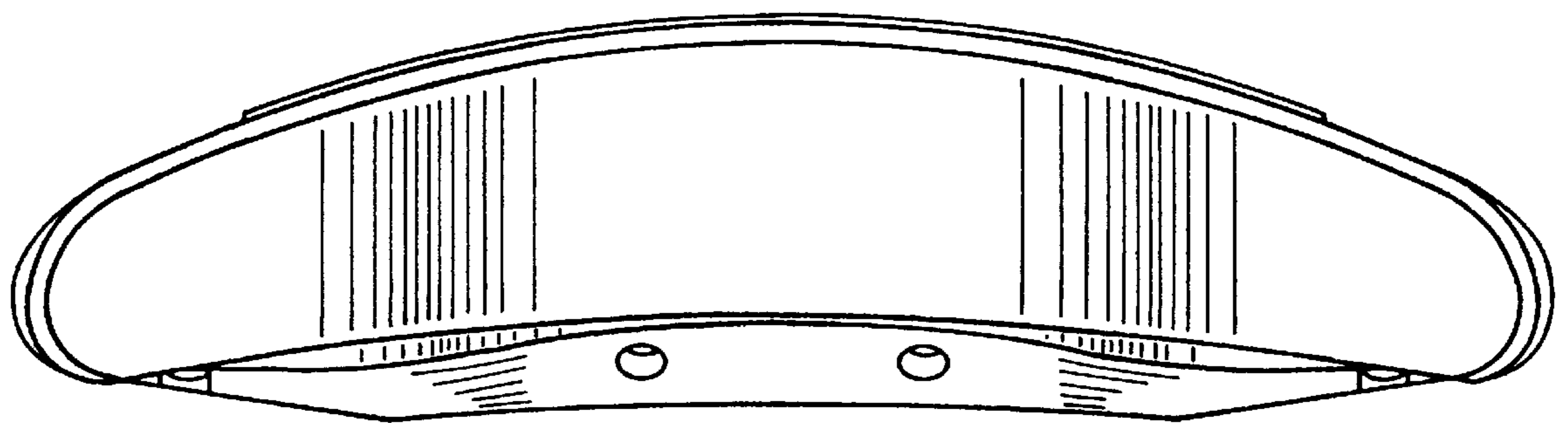


FIG. 5

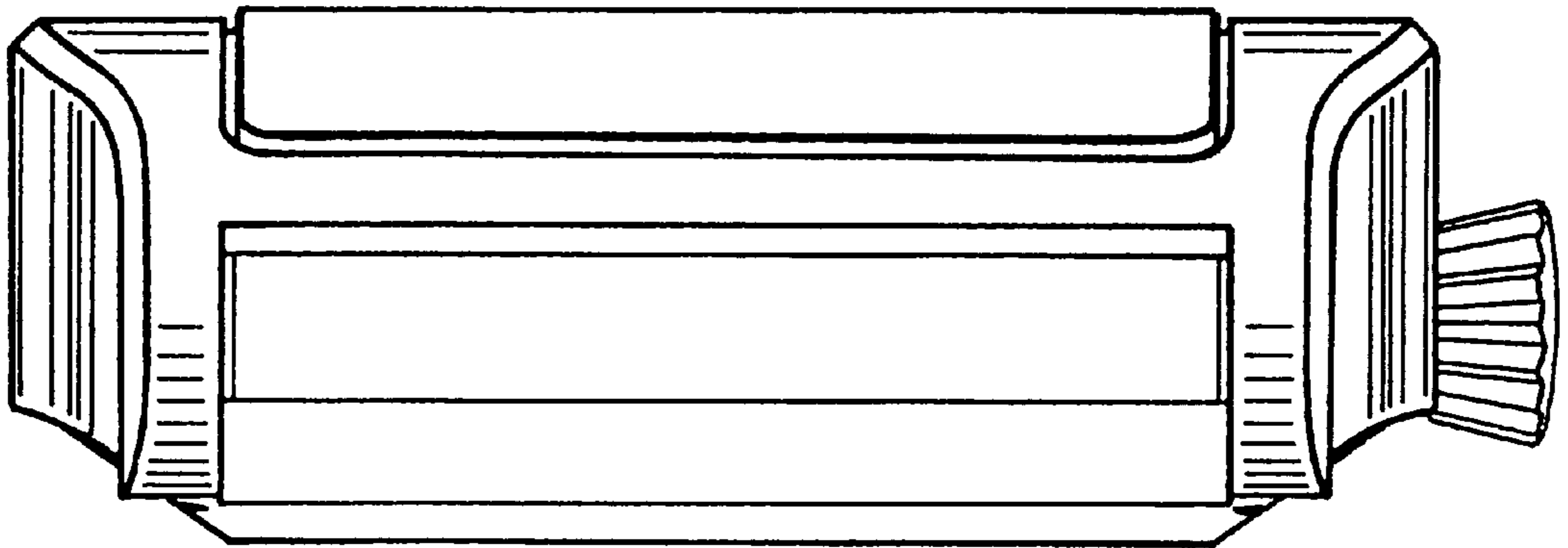


FIG. 6

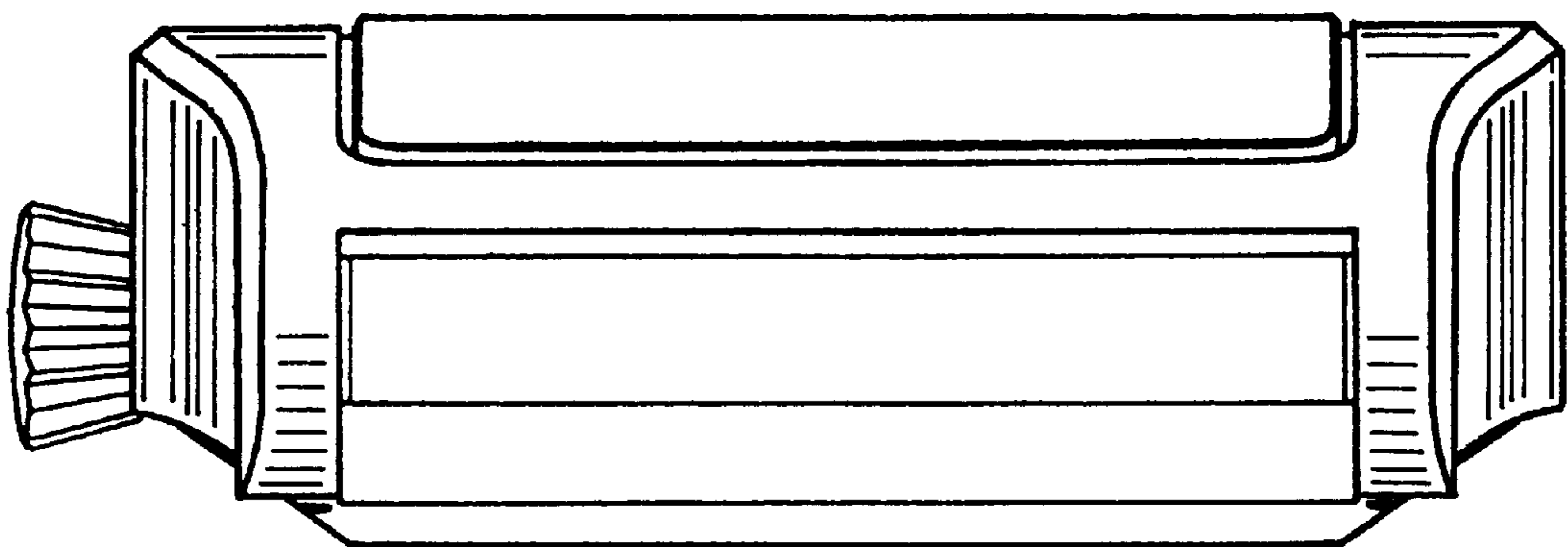


FIG. 7