



US00D444076S

(12) **United States Design Patent**  
**Repossi**

(10) **Patent No.:** **US D444,076 S**

(45) **Date of Patent:** **\*\* Jun. 26, 2001**

(54) **WRISTWATCH**

(75) Inventor: **Alberto Reposi, Monaco (MC)**

(73) Assignee: **Société Civile G.A.R., Monaco (MC)**

(\*\*) Term: **14 Years**

(21) Appl. No.: **29/120,256**

(22) Filed: **Mar. 16, 2000**

(30) **Foreign Application Priority Data**

Dec. 1, 1999 (XH) ..... DM/049970

(51) **LOC (7) Cl.** ..... **10-02**

(52) **U.S. Cl.** ..... **D10/32**

(58) **Field of Search** ..... D10/1-40, 122-132;  
D11/3-25; 63/1.1, 3, 5, 11; 368/276-277,  
280-282, 285

(56) **References Cited**

**U.S. PATENT DOCUMENTS**

- D. 156,744 \* 1/1950 Kent ..... D10/32
- D. 158,918 \* 6/1950 Winn ..... D10/32
- D. 277,830 \* 3/1985 Lederrey ..... D10/39
- D. 296,527 \* 7/1988 Chu ..... D10/15

- D. 308,945 \* 7/1990 Bonnet ..... D10/32
- D. 340,871 \* 11/1993 Iwamura ..... D10/32
- D. 415,969 \* 11/1999 Clerc ..... D10/32
- D. 421,397 \* 3/2000 Clerc ..... D10/32
- D. 427,932 \* 7/2000 Dumas ..... D11/3

\* cited by examiner

*Primary Examiner*—Nelson C. Holtje

(74) *Attorney, Agent, or Firm*—Collen Law Associates, P.C.; Robert M. McDermott

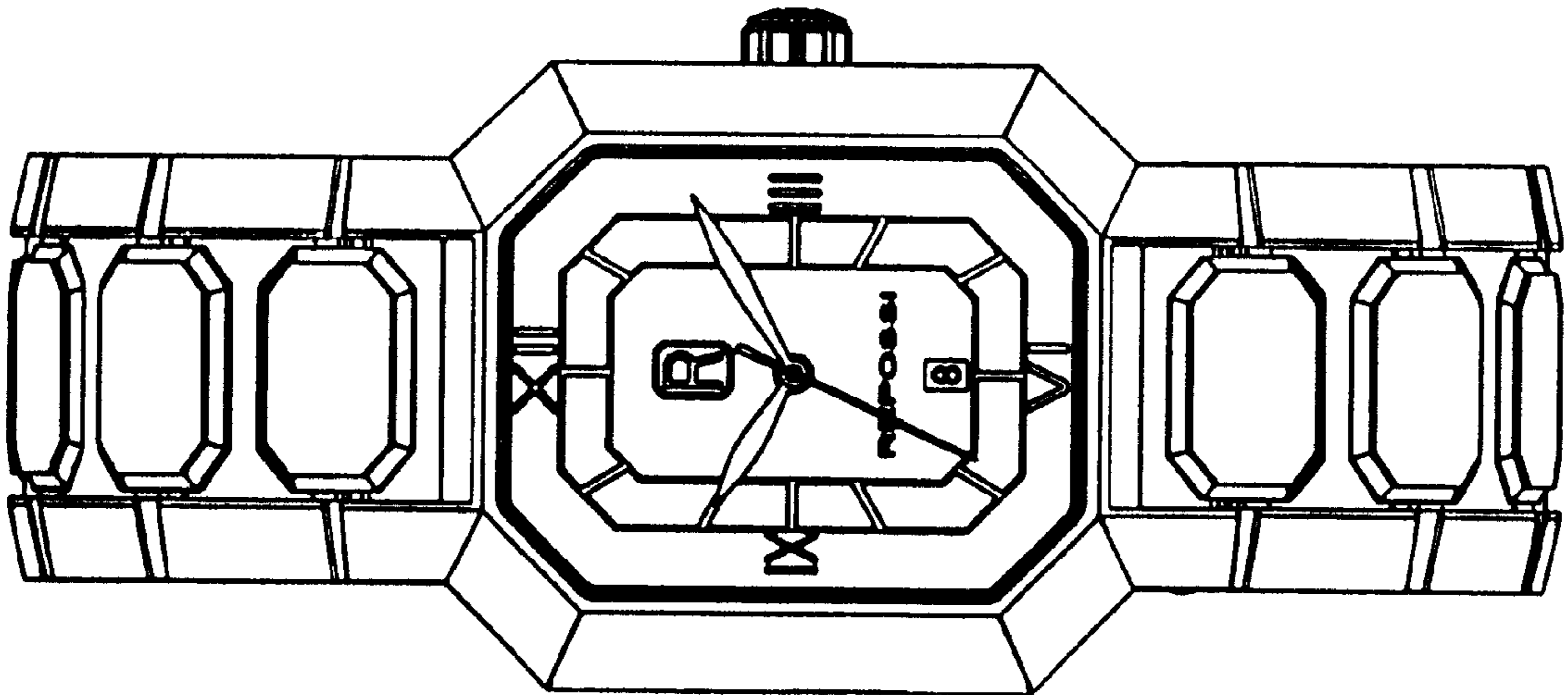
(57) **CLAIM**

The ornamental design for a wristwatch, as shown and described.

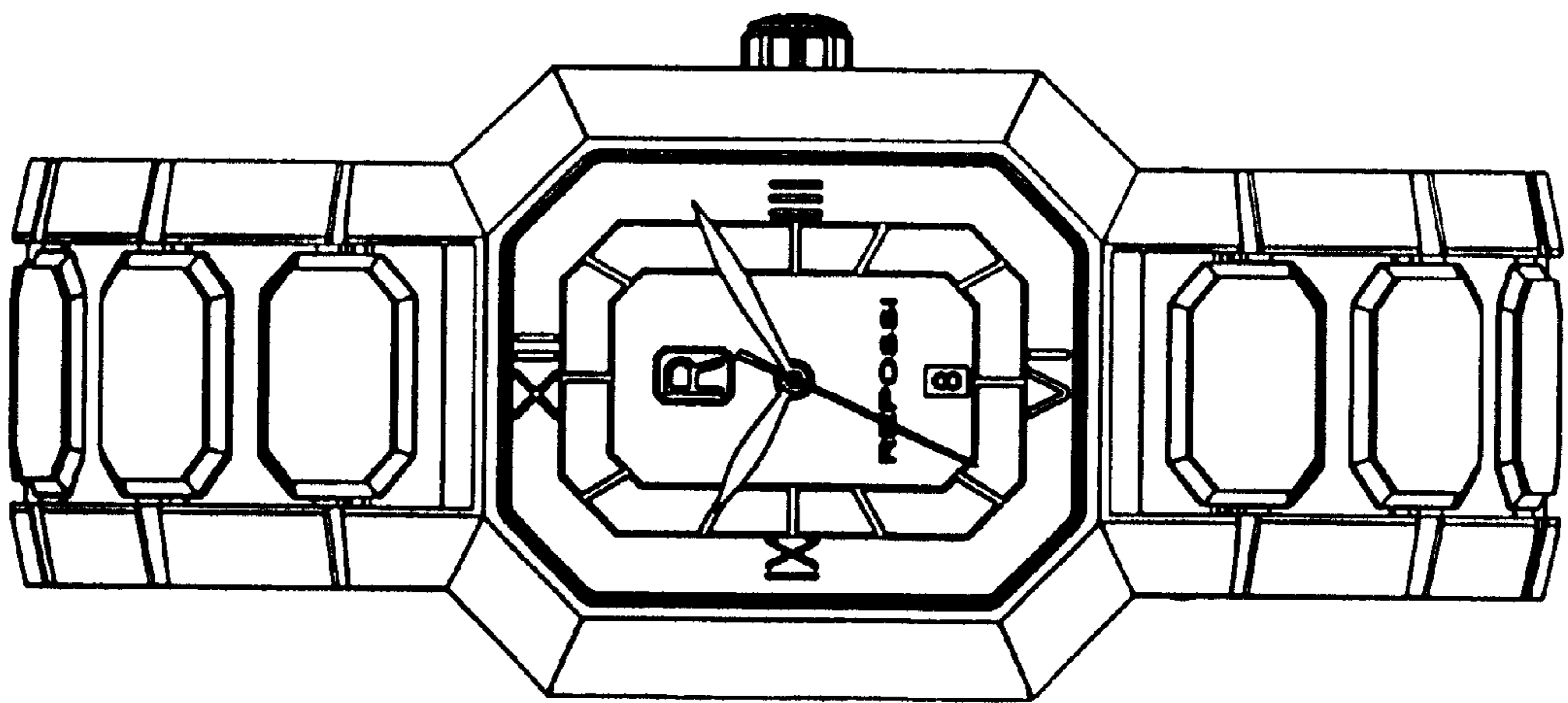
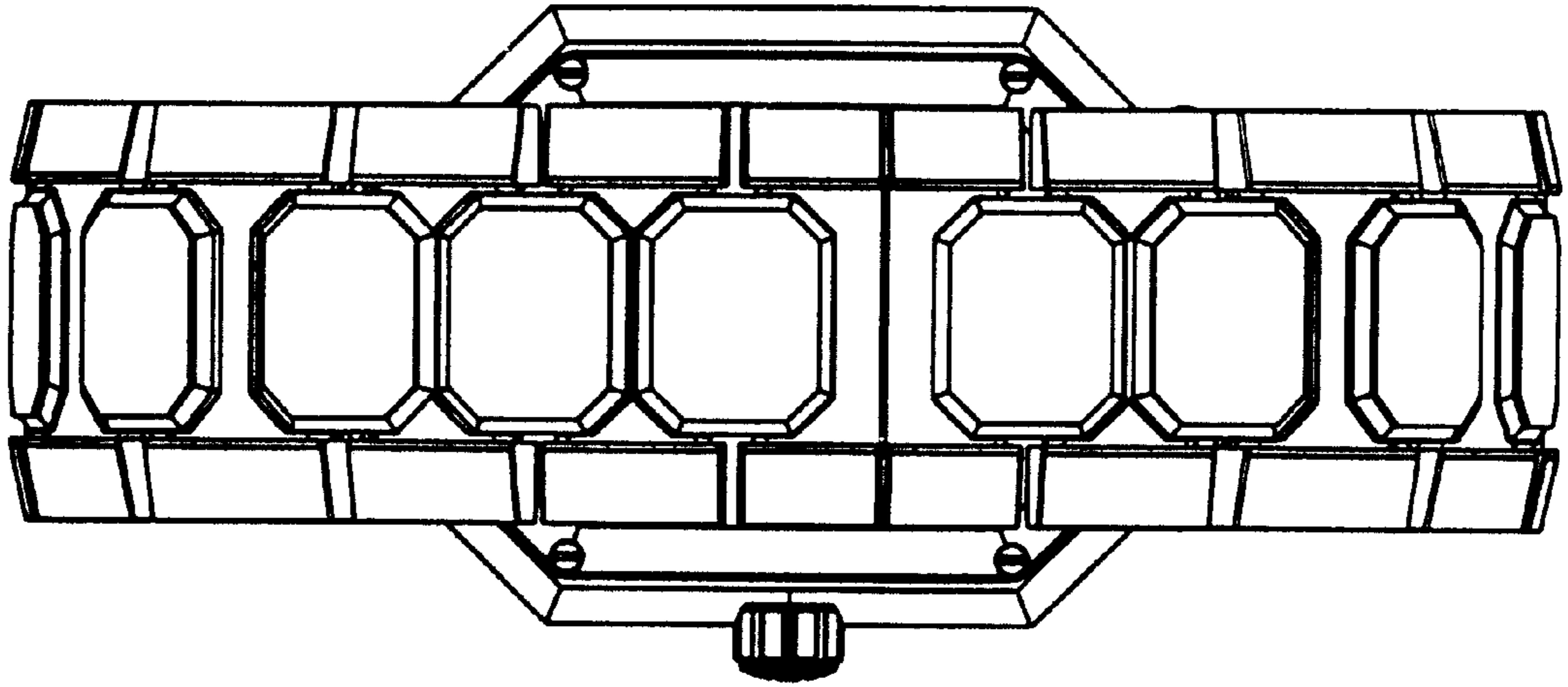
**DESCRIPTION**

FIG. 1 is a bottom view of my new and ornamental design for a wristwatch;  
 FIG. 2 is a top view thereof;  
 FIG. 3 is a left side view thereof;  
 FIG. 4 is a right side view thereof;  
 FIG. 5 is a front view thereof;  
 FIG. 6 is a front view perspective view thereof; and,  
 FIG. 7 is a rear view thereof.

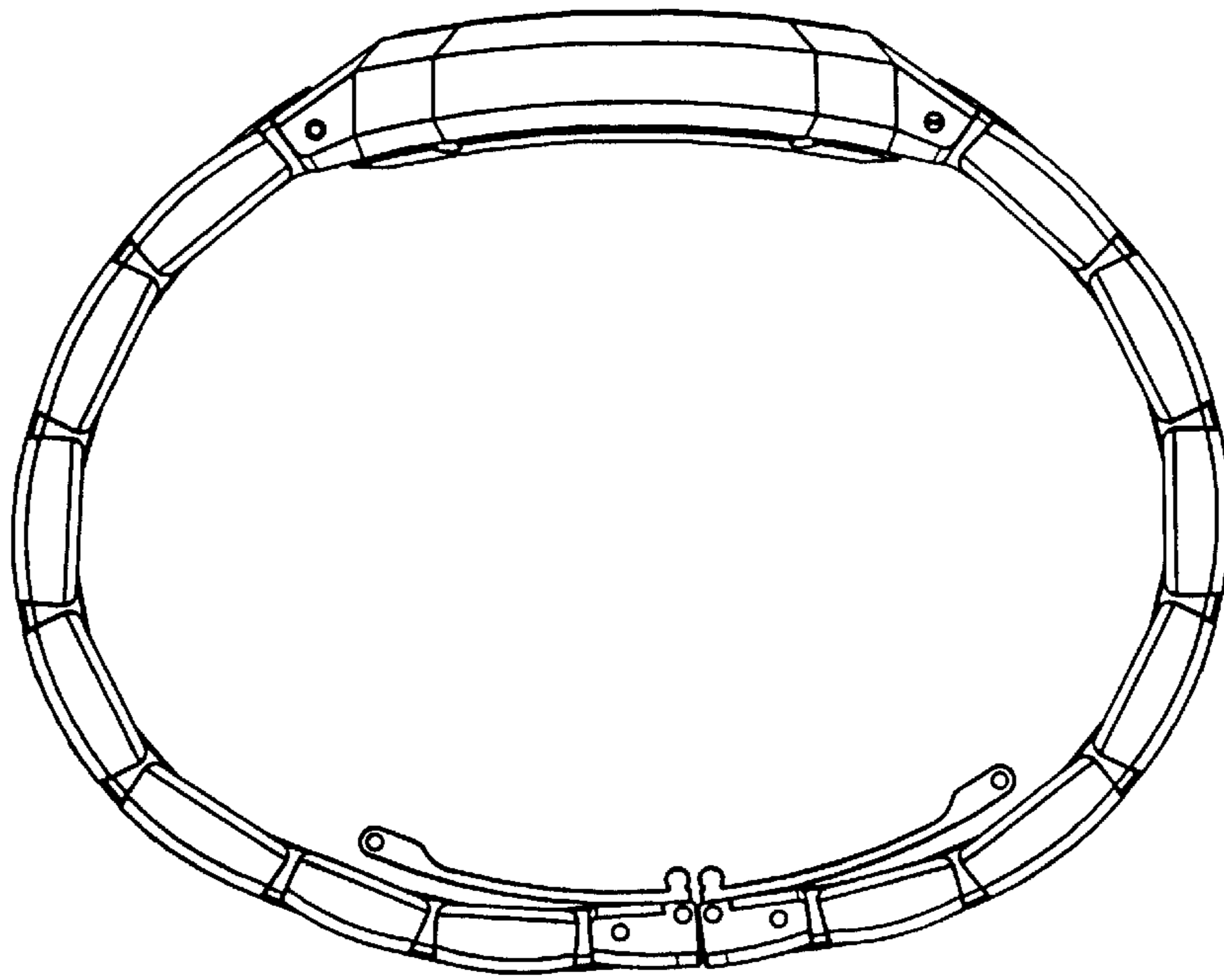
**1 Claim, 3 Drawing Sheets**



*Fig. 1*

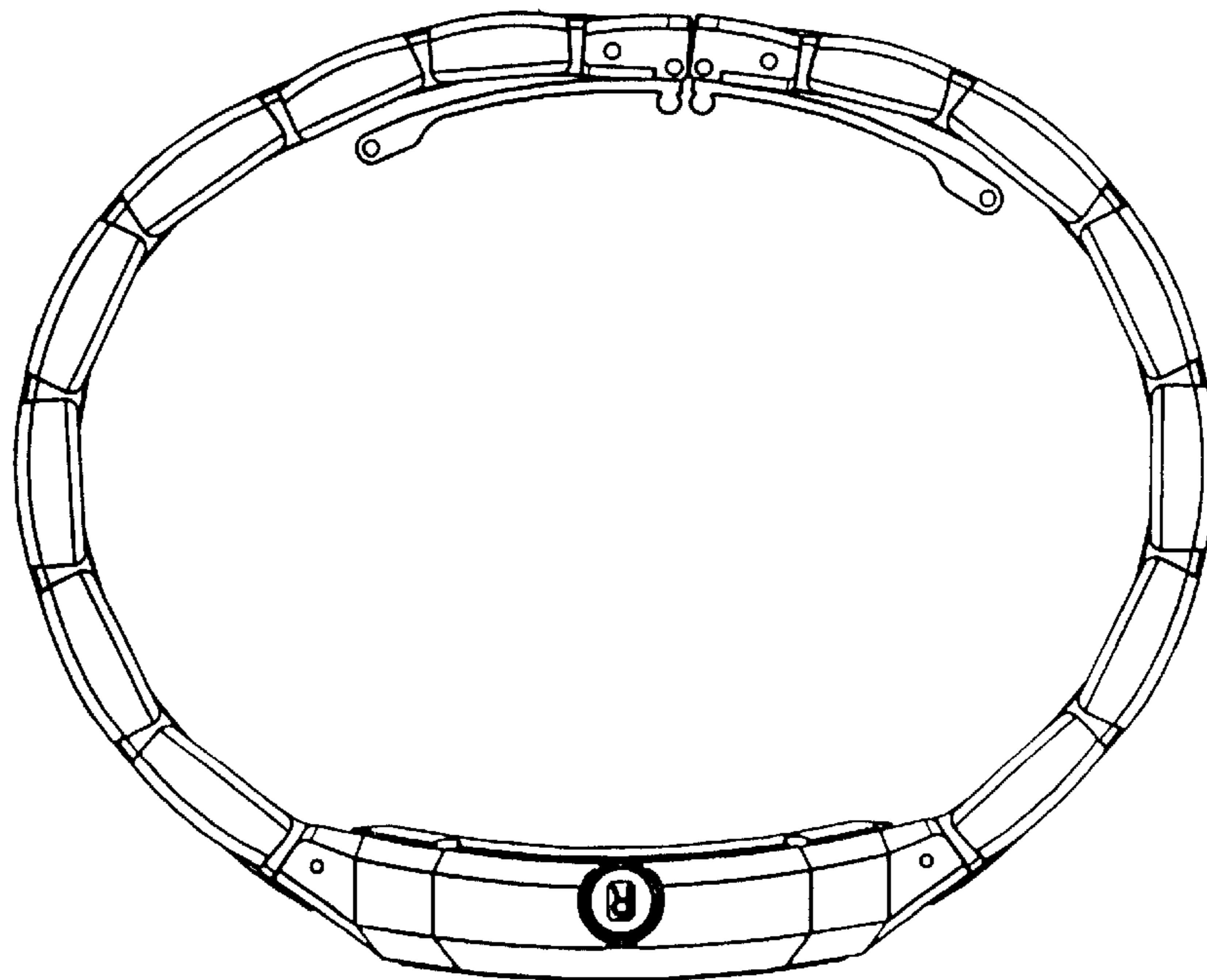


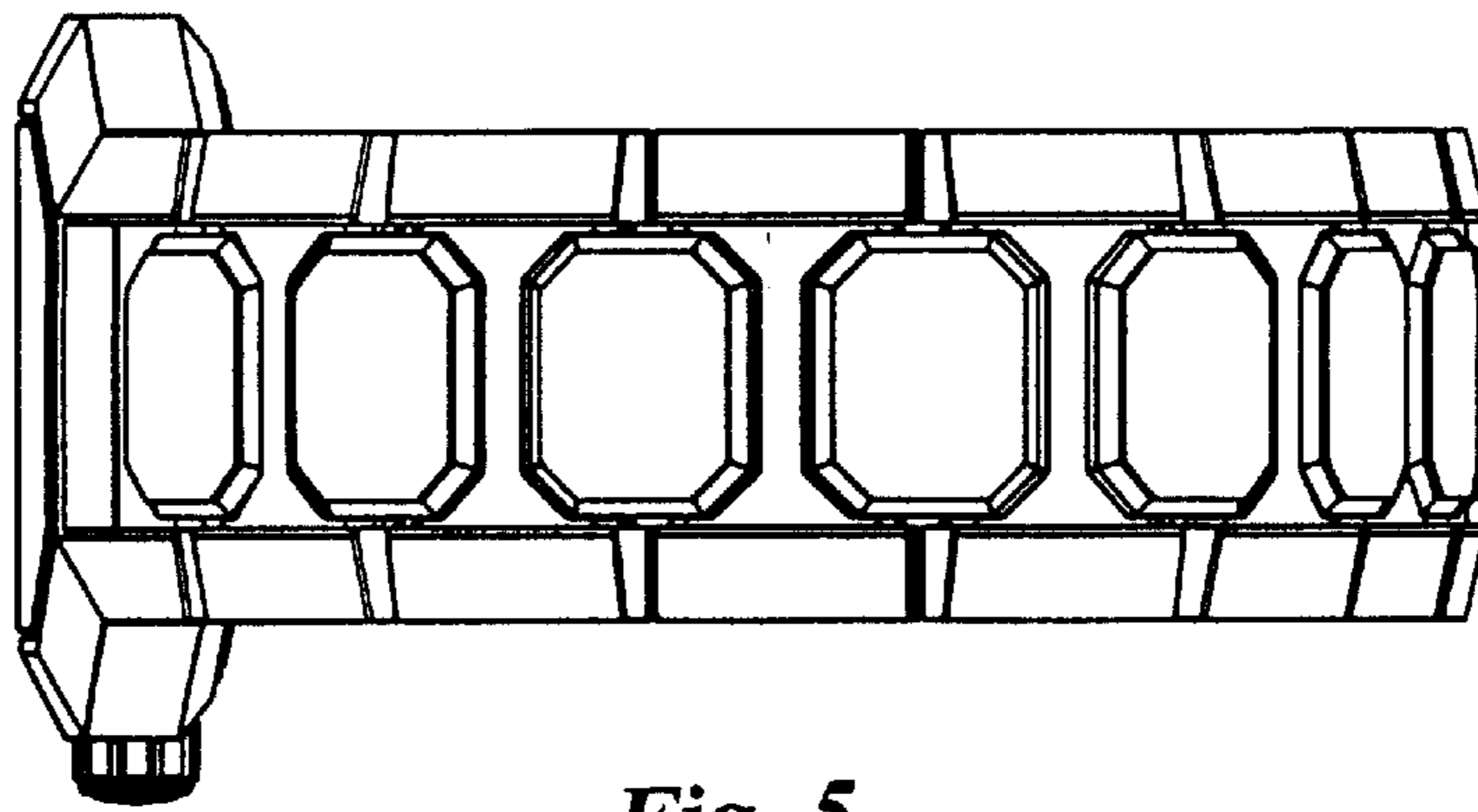
*Fig. 2*



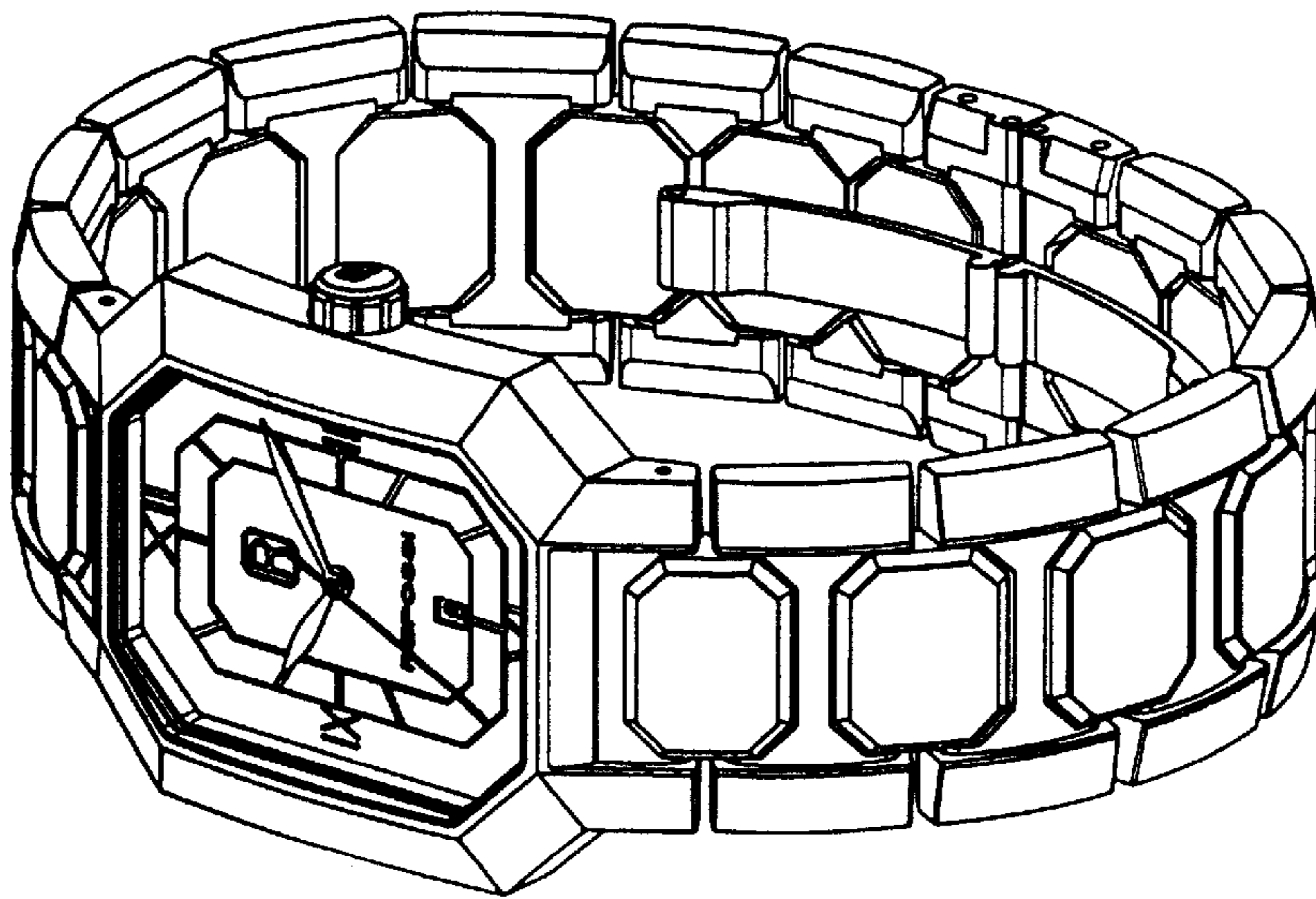
*Fig. 3*

*Fig. 4*

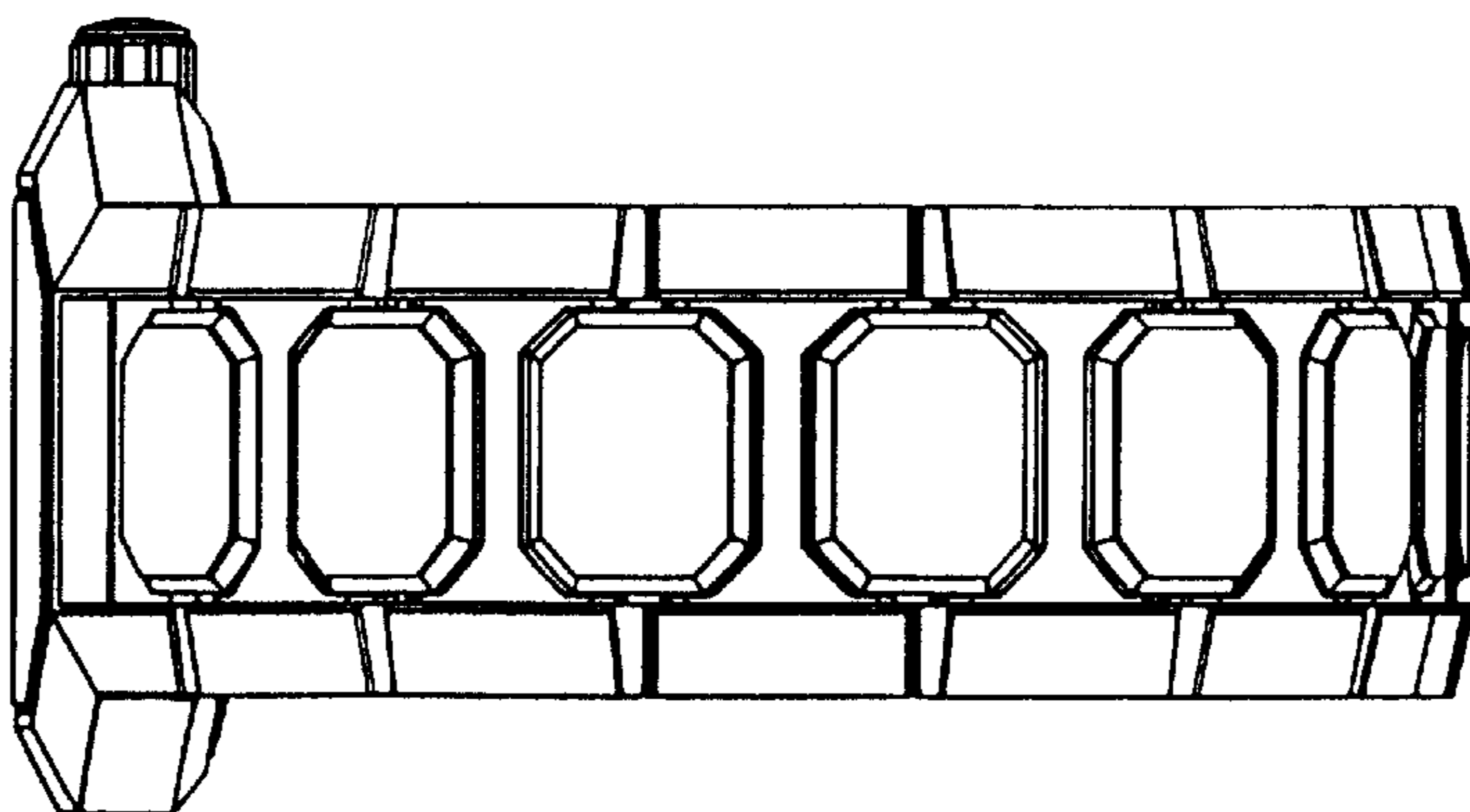




*Fig. 5*



*Fig. 6*



*Fig. 7*