



US00D444072S

(12) **United States Design Patent**
Chan

(10) **Patent No.:** **US D444,072 S**

(45) **Date of Patent:** **** Jun. 26, 2001**

(54) **CLOCK WITH CALCULATOR AND CALENDAR**

(75) **Inventor:** **Sik-Leung Chan, Tsuen Wan (CN)**

(73) **Assignee:** **C. C. & L Company Limited, Hong Kong (CN)**

(**) **Term:** **14 Years**

(21) **Appl. No.:** **29/126,793**

(22) **Filed:** **Jul. 24, 2000**

(51) **LOC (7) Cl.** **10-01**

(52) **U.S. Cl.** **D10/3; D10/4; D10/15; D18/2**

(58) **Field of Search** **D10/1-40, 122-132; 368/10, 276, 277, 285, 316-317; D18/2, 7; D14/100, 218, 346, 347, 240, 191, 171, 341, 345; D13/168; D19/21**

(56) **References Cited**

U.S. PATENT DOCUMENTS

- D. 285,805 * 9/1986 Yubisui et al. D18/7
- D. 301,580 * 6/1989 Davidson D14/171
- D. 310,543 * 9/1990 Brown D18/7 X
- D. 311,908 * 11/1990 Molyneaux D14/106
- D. 317,935 * 7/1991 Sawano D18/7
- D. 338,880 * 8/1993 Mizusugi et al. D14/106
- D. 342,501 * 12/1993 Saeki et al. D14/126
- D. 355,166 * 2/1995 Sakaguchi et al. D14/345
- D. 386,094 * 11/1997 Ventrella D10/30
- D. 387,996 * 12/1997 Chan D10/18
- D. 391,257 * 2/1998 Ngan D14/171
- D. 408,050 * 4/1999 Takahata et al. D18/2

- D. 427,629 * 7/2000 Chu et al. D19/21
- D. 430,566 * 9/2000 Chu et al. D14/345
- D. 434,070 * 11/2000 Lin et al. D10/15 X
- 5,898,600 * 4/1999 Isashi 345/169
- 6,154,359 * 11/2000 Kamikakai et al. 361/681

OTHER PUBLICATIONS

WIPO document from digital clock box, Deposit No. DM/027 298, Sep. 15, 1993.*

* cited by examiner

Primary Examiner—Jeffrey Asch

(74) *Attorney, Agent, or Firm*—Alix, Yale & Ristas, LLP

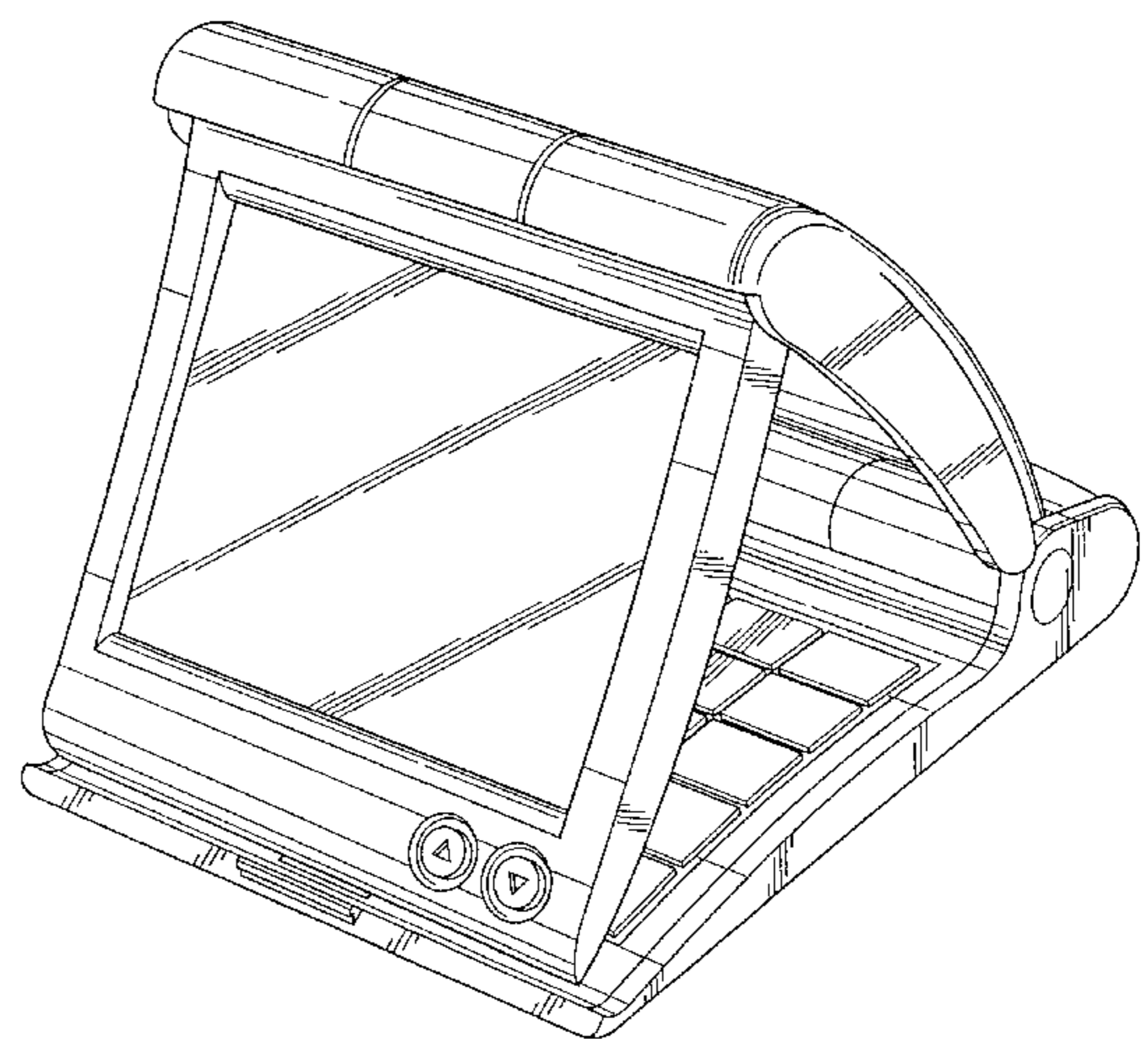
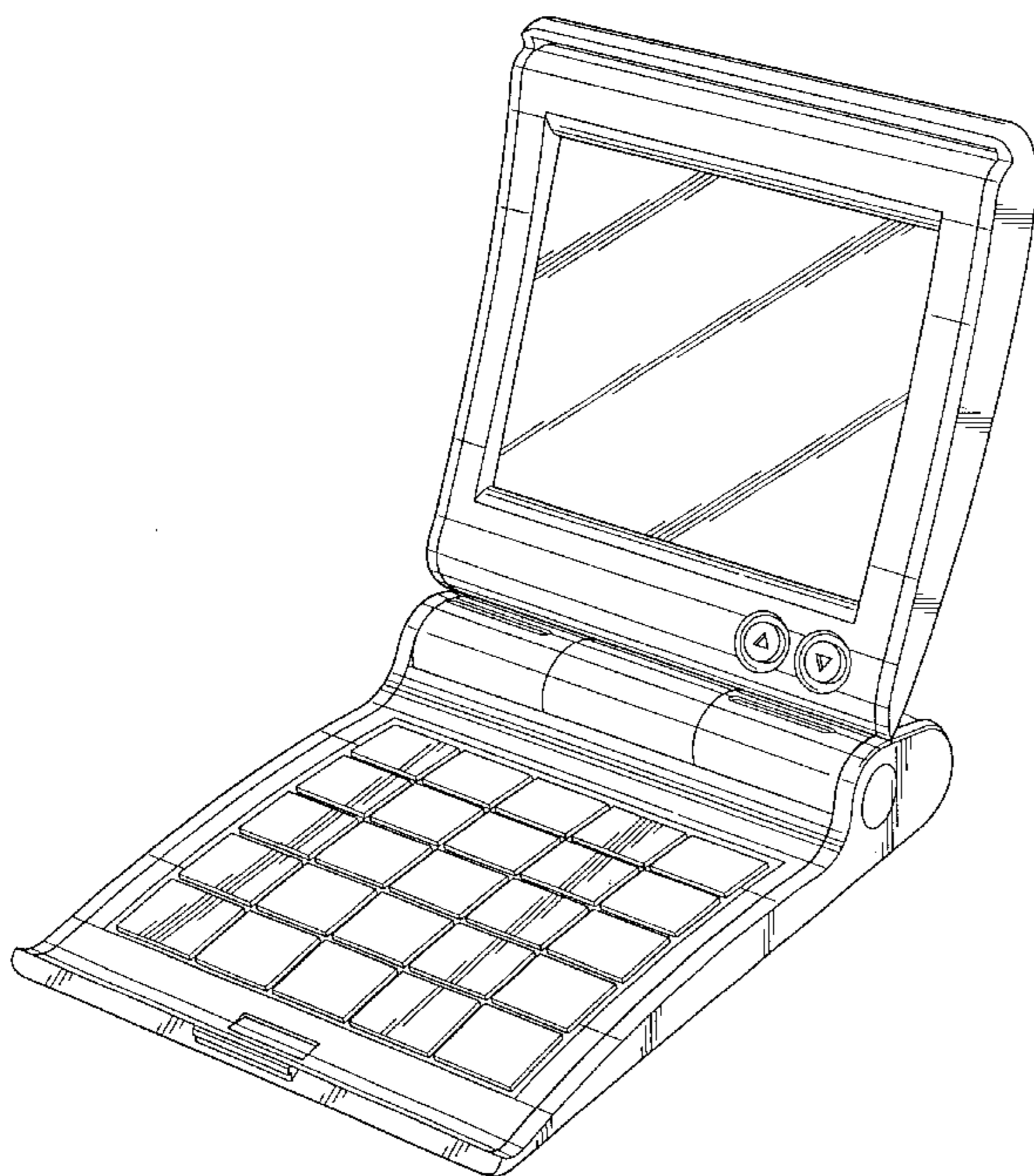
(57) **CLAIM**

The ornamental design for a clock with calculator and calendar, as shown and described.

DESCRIPTION

FIG. 1 is a perspective view of a clock with calculator and calendar showing my new design;
 FIG. 2 is a perspective view with front cover in upright position thereof;
 FIG. 3 is a perspective view with front cover in upright position and liquid crystal display in an alternative position thereof;
 FIG. 4 is a front elevational view thereof;
 FIG. 5 is a left side elevational view thereof,
 FIG. 6 is a bottom plan view thereof;
 FIG. 7 is a right side elevational view thereof;
 FIG. 8 is a rear elevational view thereof; and,
 FIG. 9 is a top plan view thereof.

1 Claim, 5 Drawing Sheets



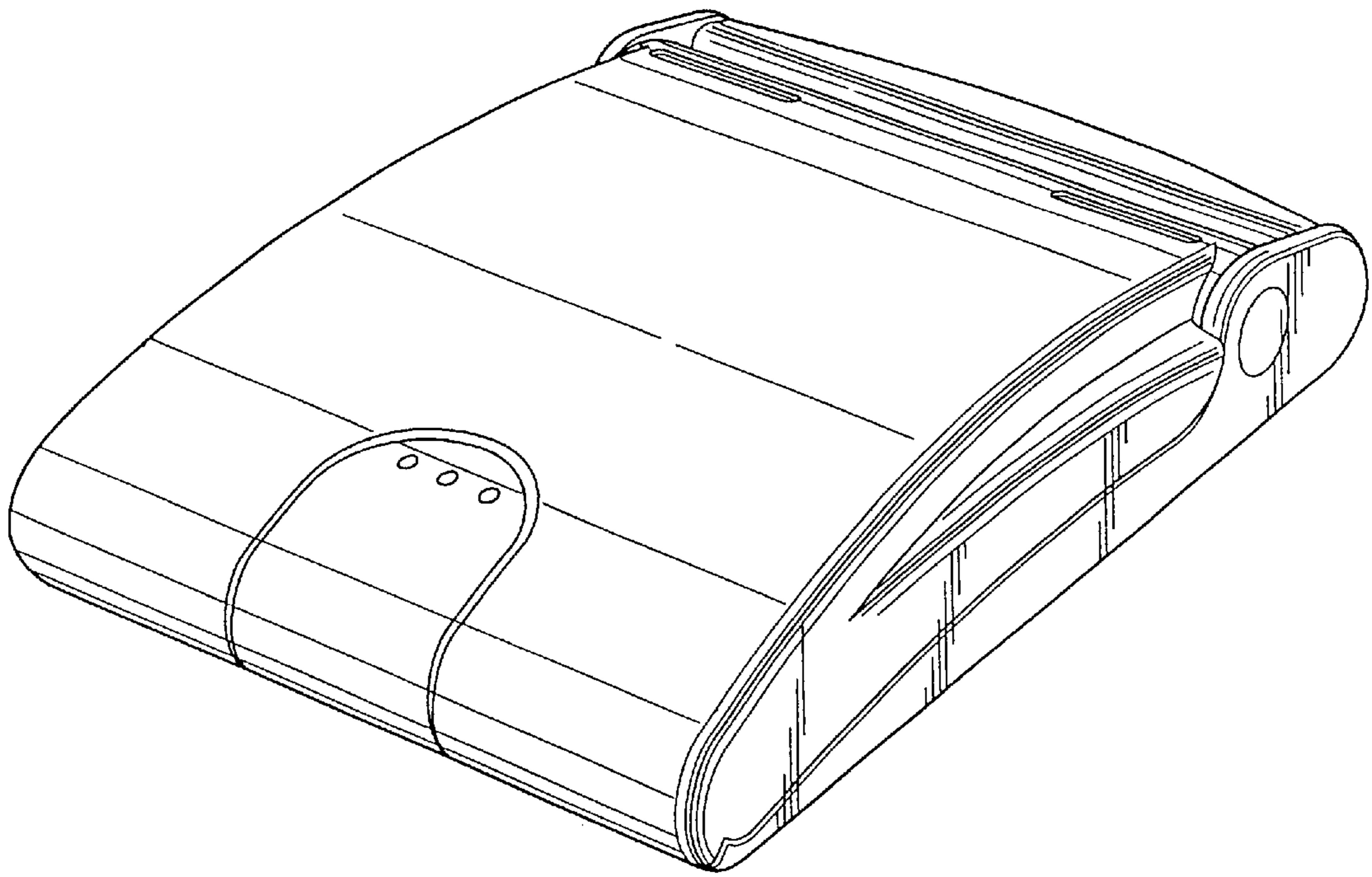


FIG. 1



FIG. 2

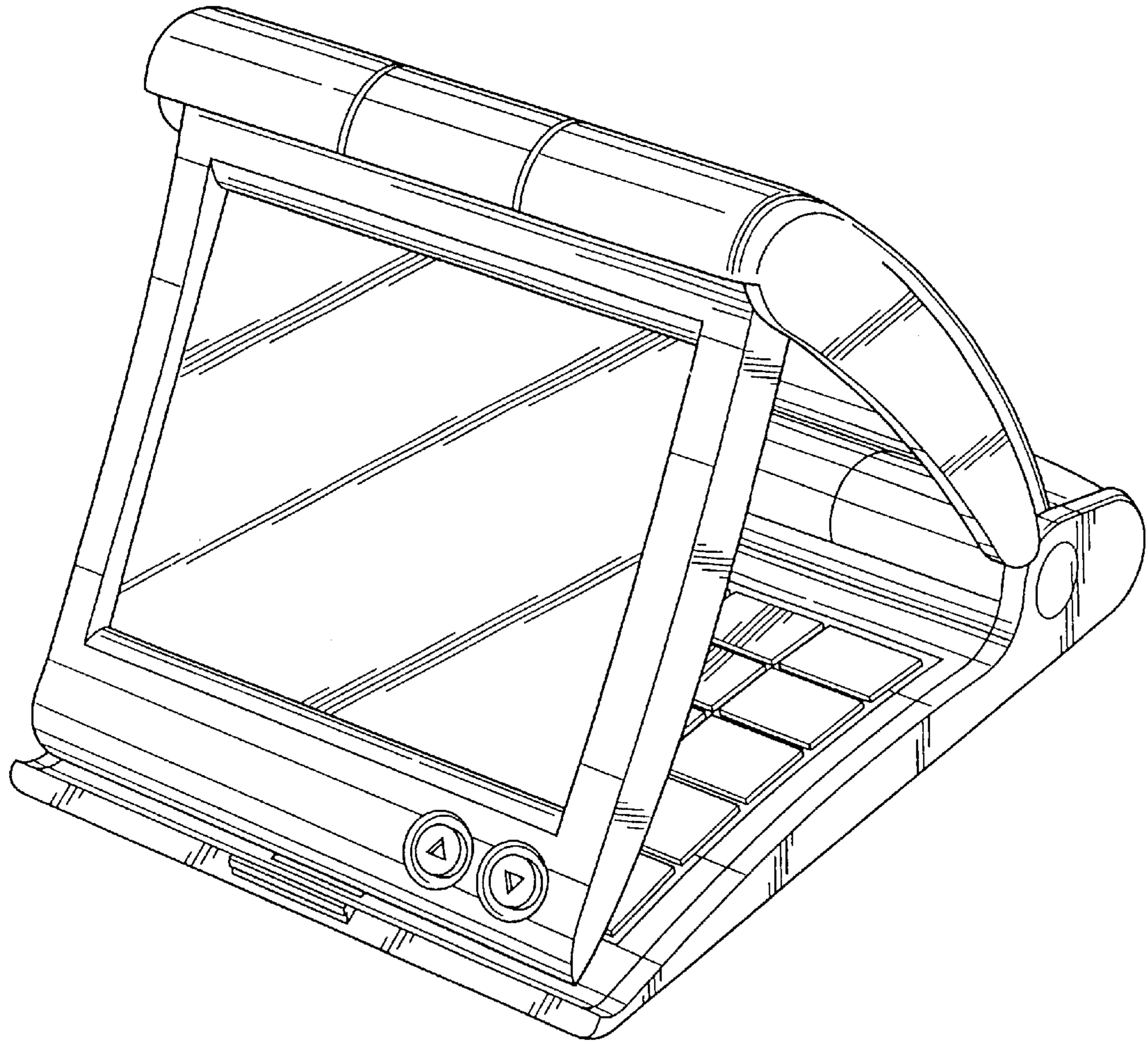


FIG. 3

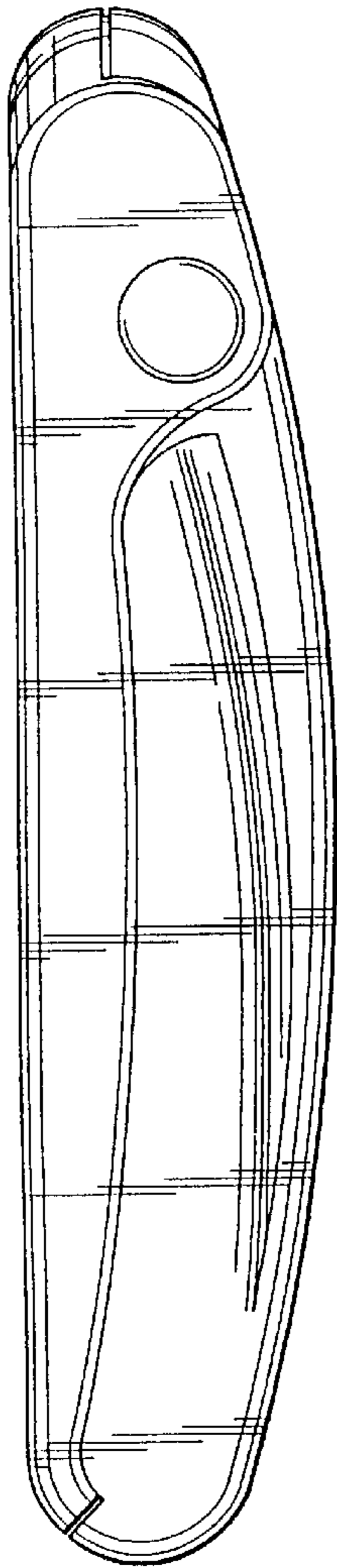


FIG. 5

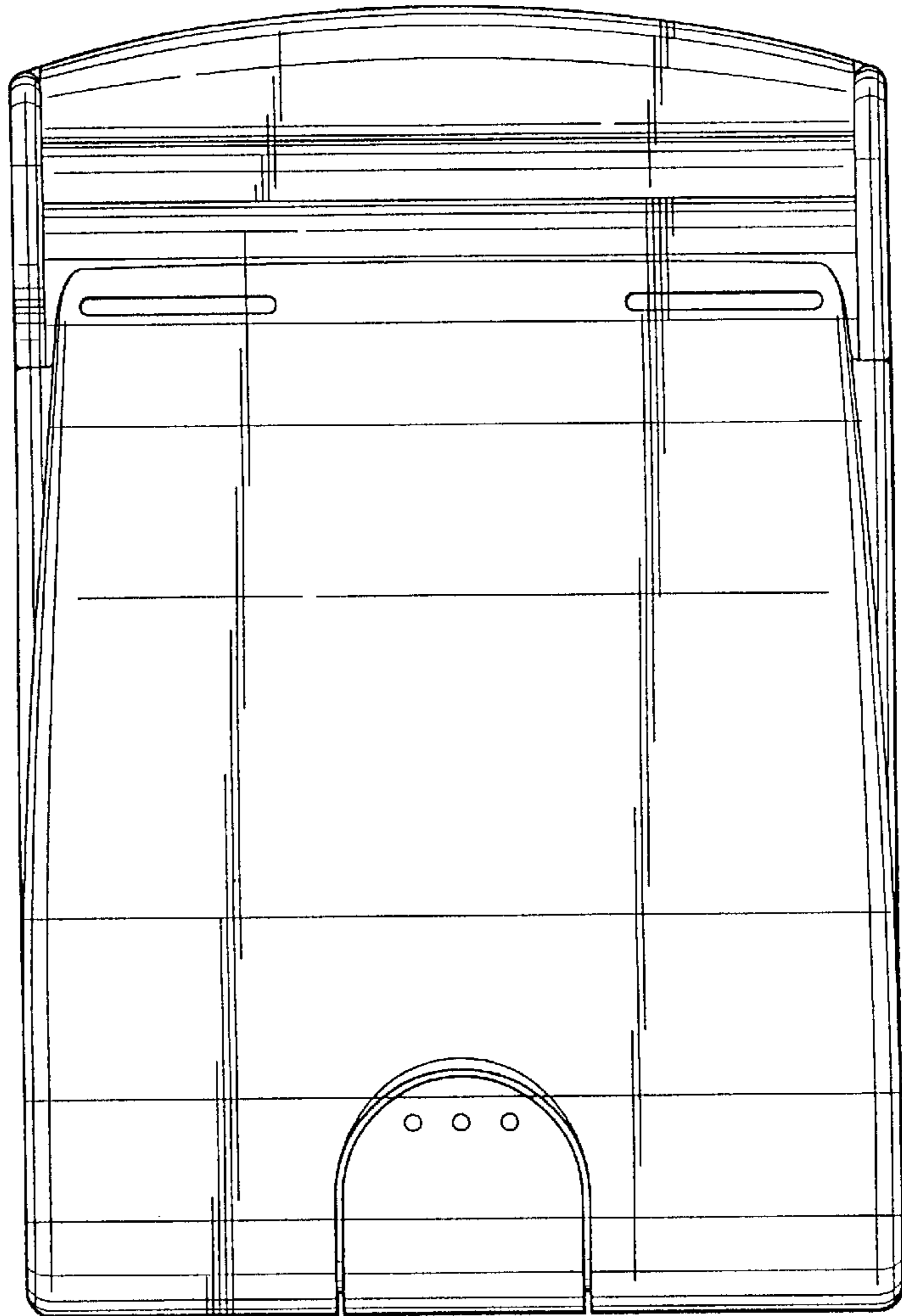
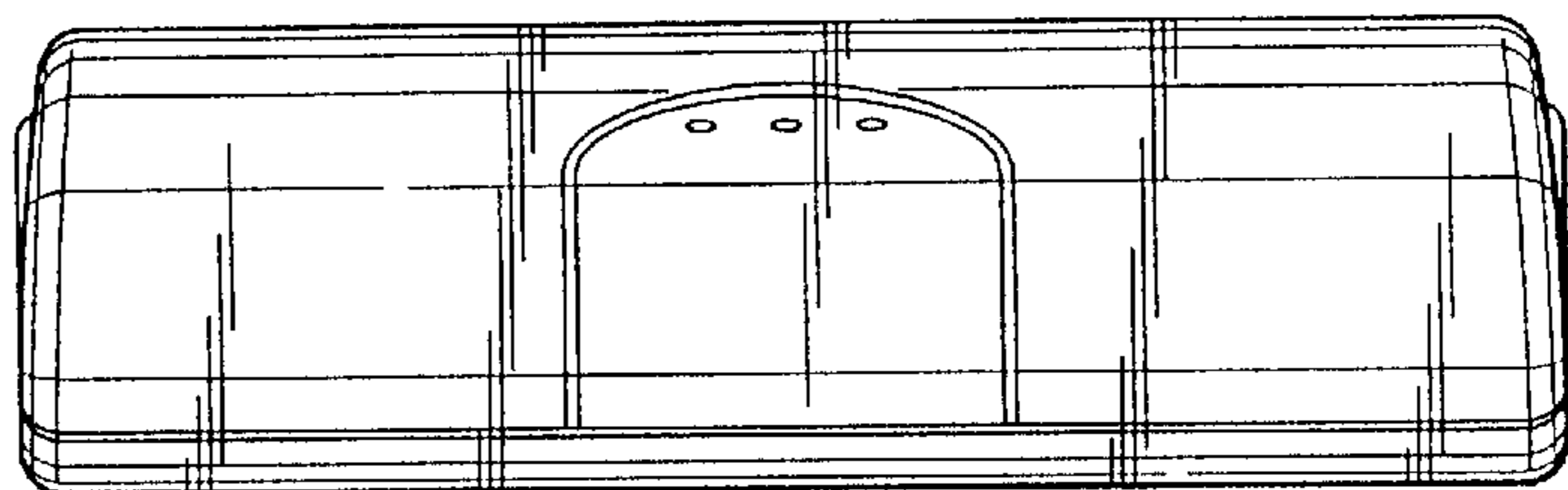


FIG. 4

FIG. 6



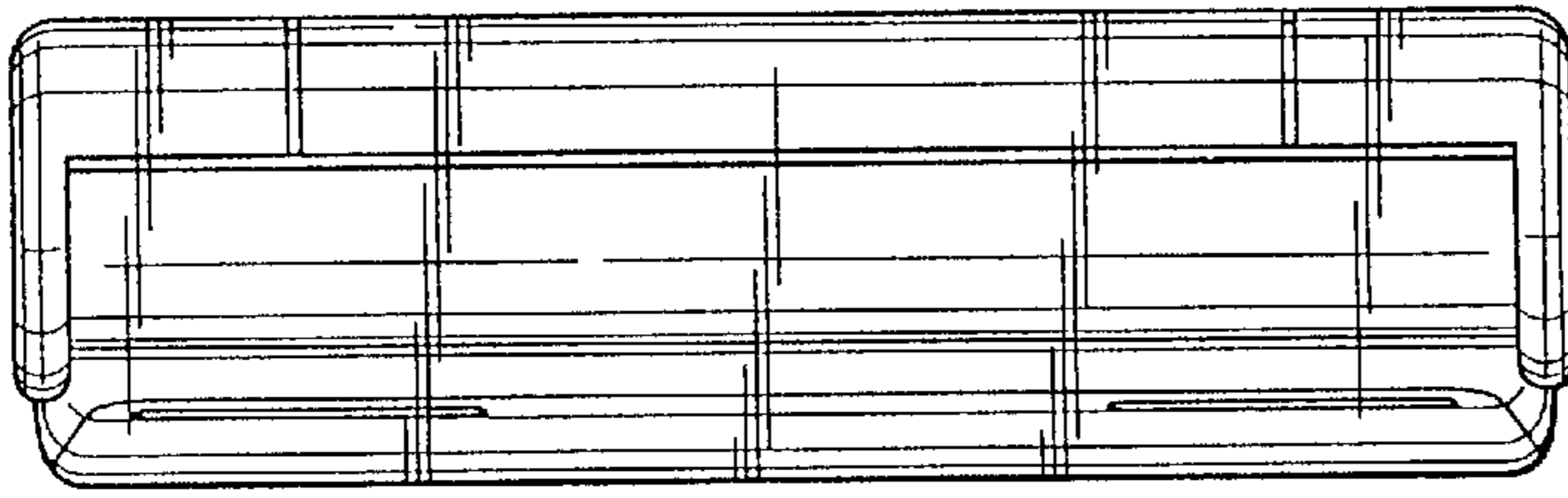


FIG. 9

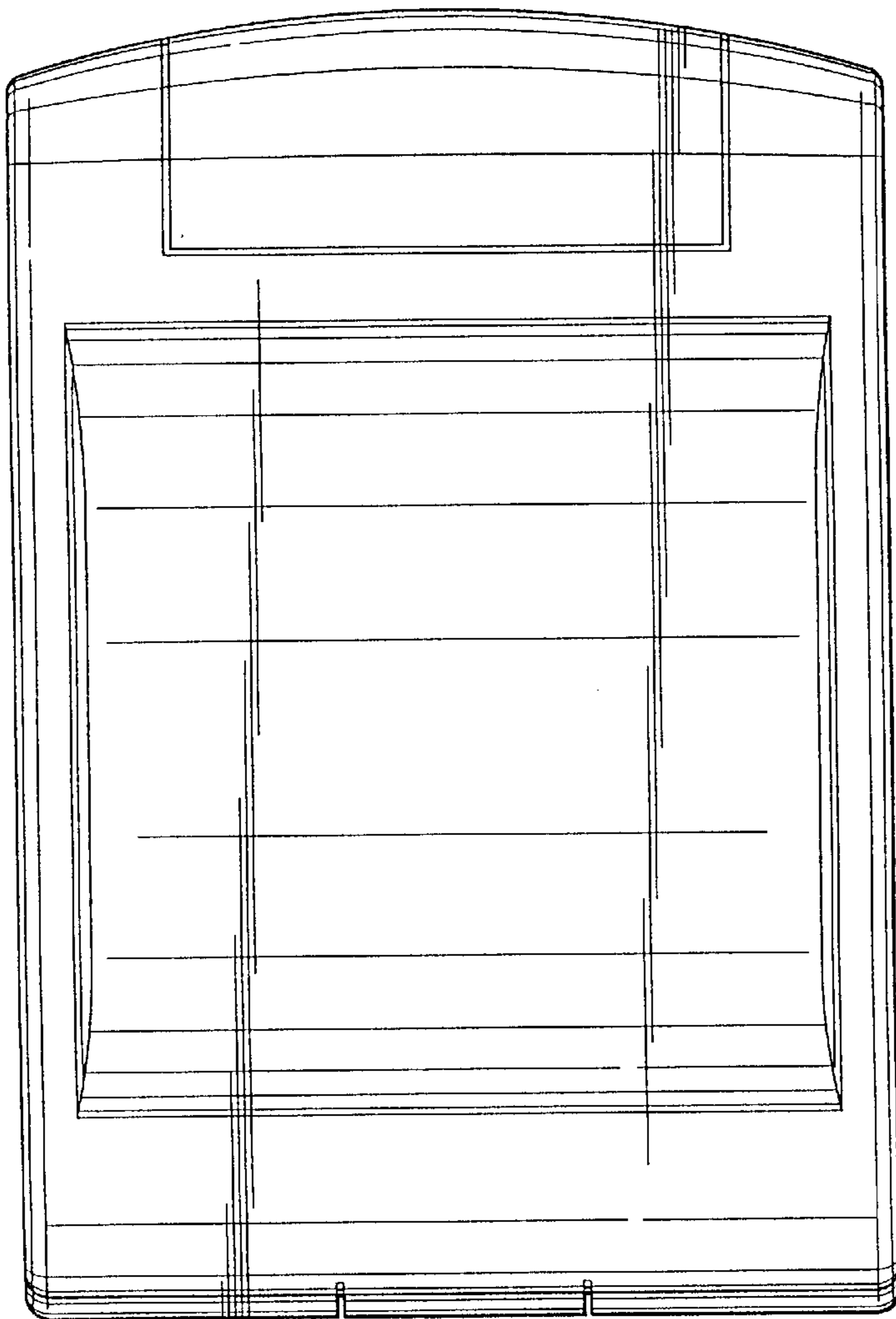


FIG. 8

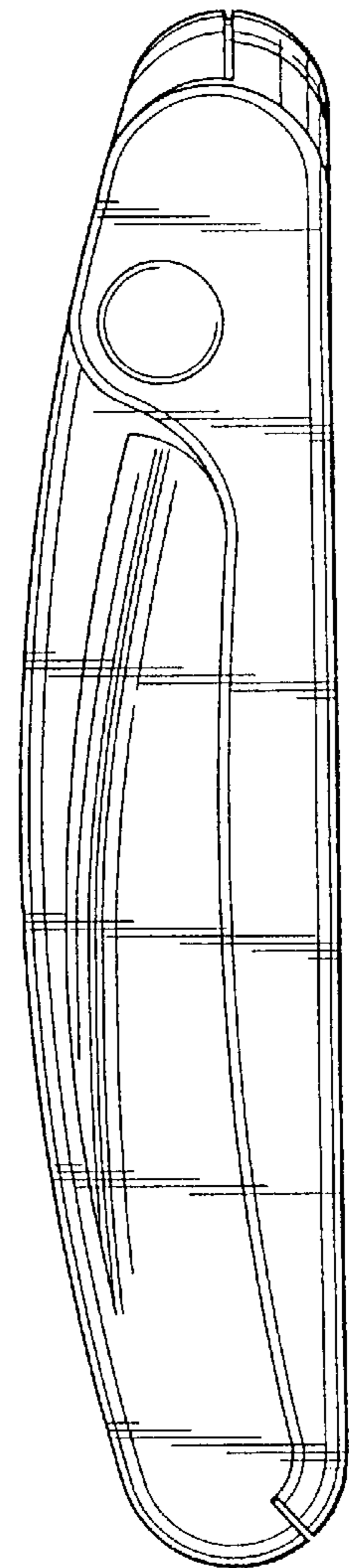


FIG. 7