



US00D444069S

(12) **United States Design Patent**  
**Bansal et al.**

(10) **Patent No.: US D444,069 S**

(45) **Date of Patent: \*\* Jun. 26, 2001**

(54) **CONTAINER**

(75) Inventors: **Vinod Kumar Bansal**, Edison, NJ (US); **Karen Lynn Ortiz-Valero**, Hampton Bays, NY (US); **Bartlett Henderson Goodell**, Glen Rock; **Bert Davis Heinzelman**, Tenafly, both of NJ (US); **Donald Richard Lamond**, Lynbrook, NY (US)

(73) Assignee: **Lipton, division of Conopco, Inc.**, Englewood Cliffs, NJ (US)

(\*\*) Term: **14 Years**

(21) Appl. No.: **29/120,260**

(22) Filed: **Mar. 16, 2000**

(51) **LOC (7) Cl. .... 09-03**

(52) **U.S. Cl. .... D9/543; D9/434; D9/557; D9/559**

(58) **Field of Search** ..... D9/454, 500, 502-505, D9/510, 516, 519-520, 522, 530, 538-540, 537, 543, 544-556, 549-550, 559-560, 564, 570-575, 557; 215/382-384; 220/253-254, 258, 662, 669

(56) **References Cited**

**U.S. PATENT DOCUMENTS**

- D. 294,120 \* 2/1988 Griesing et al. .... D9/570
- D. 354,685 \* 1/1995 Krishnakumar et al. .... D9/543
- D. 379,763 \* 6/1997 Ewing, Jr. .... D9/543
- D. 382,807 \* 8/1997 Silvers et al. .... D9/543
- D. 385,497 \* 10/1997 Krishnakumar .... D9/543
- D. 390,114 \* 2/1998 Young .... D9/540

- D. 393,210 \* 4/1998 Ewing, Jr. .... D9/543
- D. 419,872 \* 2/2000 Lane .... D9/537
- D. 420,587 \* 2/2000 Cheng et al. .... D9/540
- D. 424,446 \* 5/2000 Silvers et al. .... D9/520
- D. 425,425 \* 5/2000 Silvers et al. .... D9/520
- D. 428,815 \* 8/2000 Mooney et al. .... D9/520
- D. 429,152 \* 8/2000 Lane .... D9/434
- D. 431,470 \* 10/2000 Henderson .... D9/520
- 4,993,565 \* 2/1991 Ota et al. .... 215/384
- 5,141,120 \* 8/1992 Brown et al. .... 215/384
- 5,148,930 \* 9/1992 Ota et al. .... 215/384
- 5,222,615 \* 6/1993 Ota et al. .... 215/383
- 5,472,105 \* 12/1995 Krishnakumar et al. .... 215/384
- 5,690,244 \* 11/1997 Darr .... 215/382
- 6,164,474 \* 12/2000 Cheng et al. .... 215/382

\* cited by examiner

*Primary Examiner*—Nanda Bondade

*Assistant Examiner*—Carol Rademaker

(74) *Attorney, Agent, or Firm*—James J. Farrell

(57) **CLAIM**

The ornamental design for a container, as shown and described.

**DESCRIPTION**

FIG. 1 is a perspective view of the new container design. The container outline is in broken lines, the grip portion is in solid lines;

FIG. 2 is a right side elevational view thereof;

FIG. 3 is a rear elevational view thereof; and,

FIG. 4 is a front elevational view thereof.

The portion shown in broken lines is for illustrative purposes only and forms no part of the claimed design.

**1 Claim, 2 Drawing Sheets**

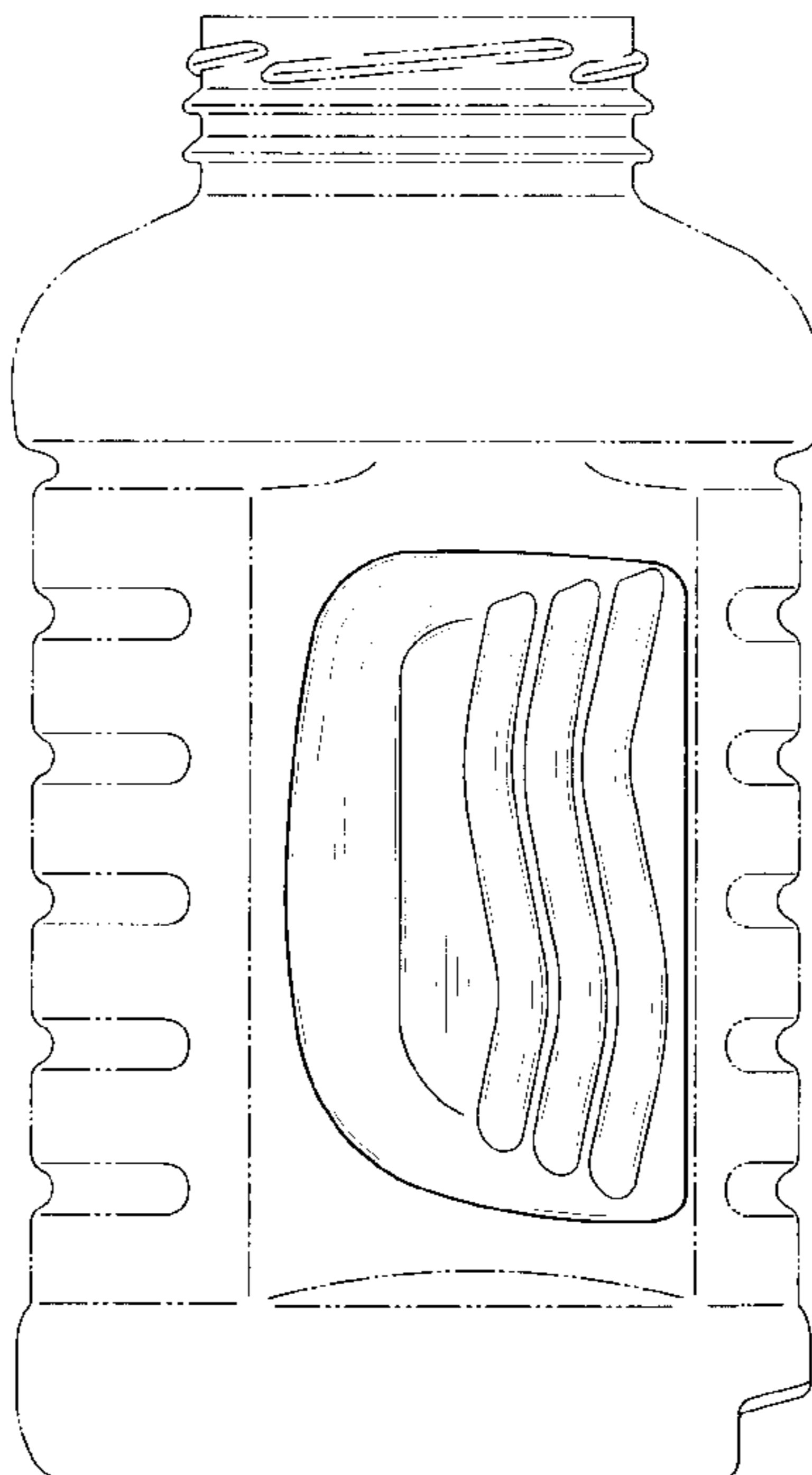


FIG. 2

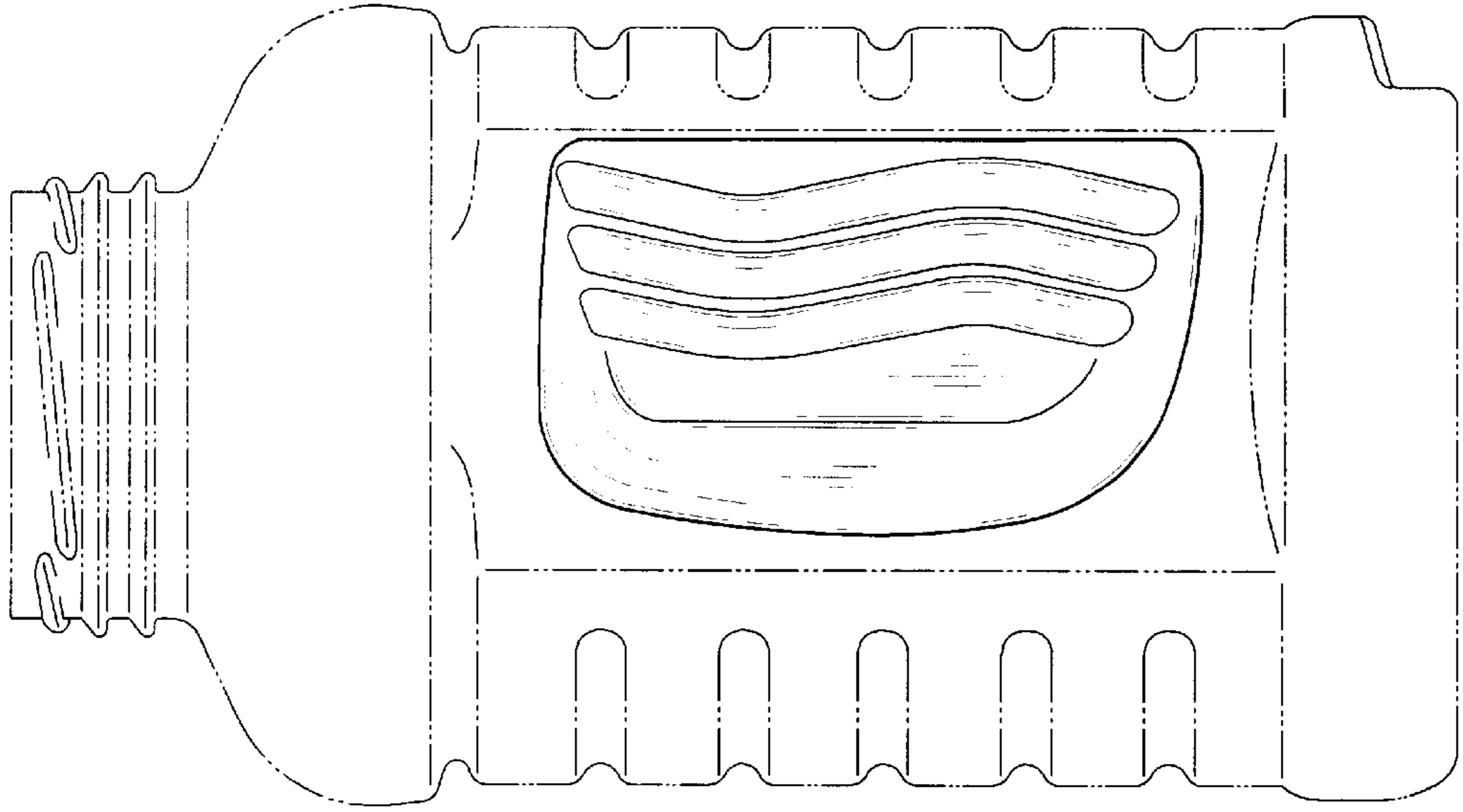


FIG. 1

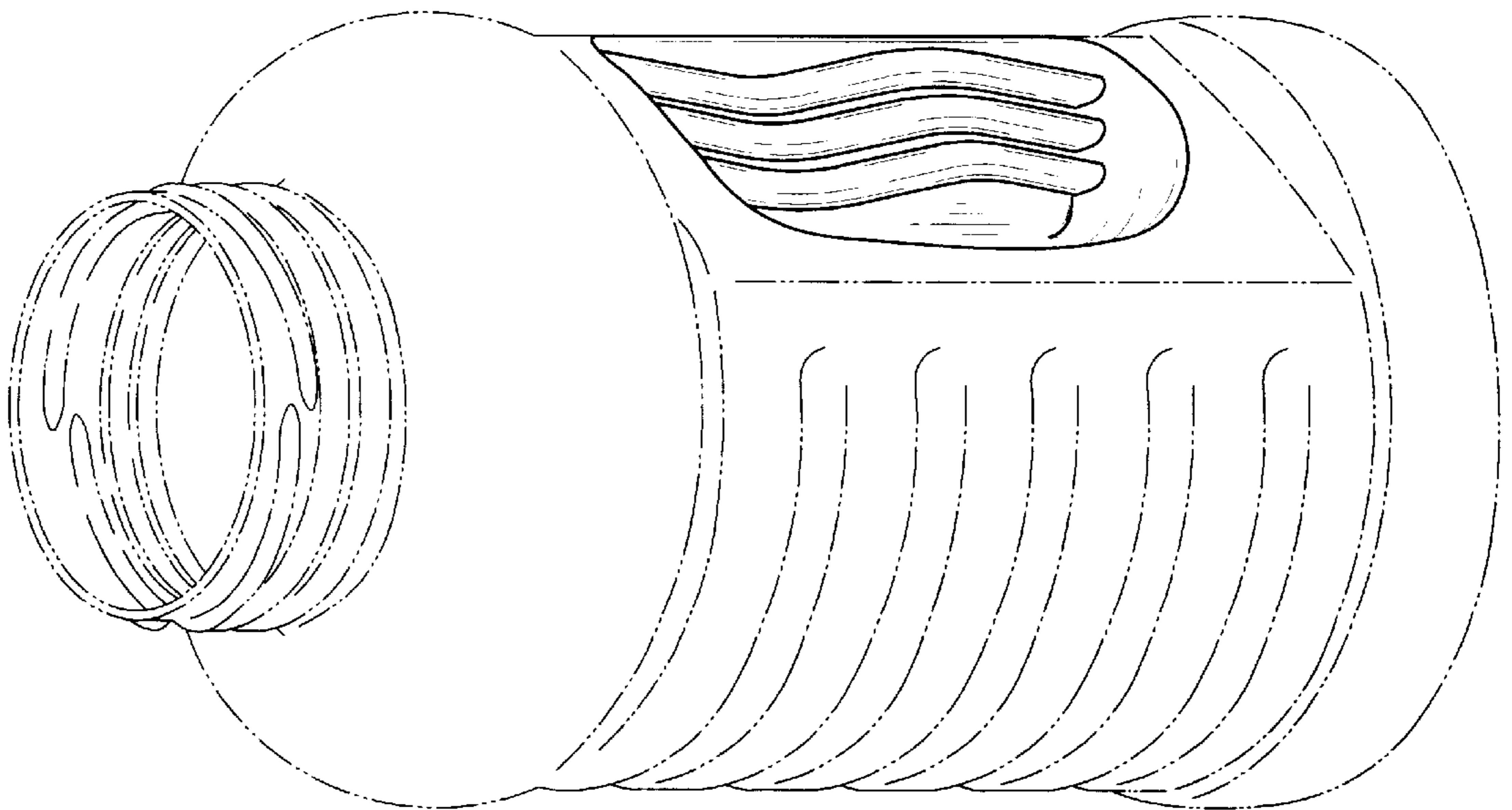


FIG. 4

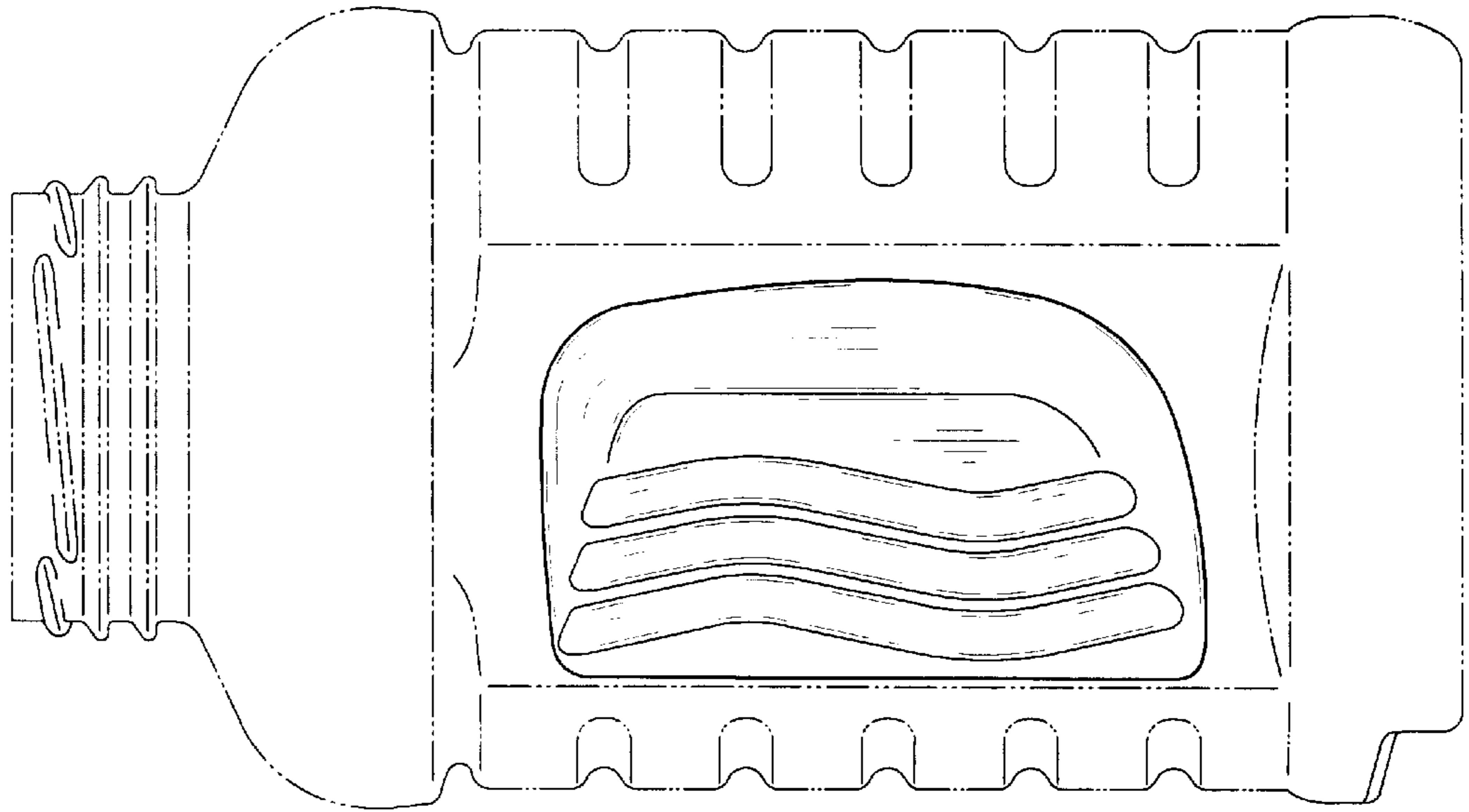


FIG. 3

