



US00D444065S

(12) **United States Design Patent**
Crawford et al.

(10) **Patent No.:** **US D444,065 S**

(45) **Date of Patent:** **** Jun. 26, 2001**

(54) **CLOSURE**

(75) Inventors: **John C. Crawford**, Mahopac, NY
(US); **Patrick Calello**, Roseland, NJ
(US)

(73) Assignee: **Colgate-Palmolive Company**, New
York, NY (US)

(**) Term: **14 Years**

(21) Appl. No.: **29/123,773**

(22) Filed: **May 24, 2000**

(51) **LOC (7) Cl.** **09-07**

(52) **U.S. Cl.** **D9/453; D9/439**

(58) **Field of Search** D9/435, 439, 443,
D9/452, 453, 454; 215/316, 328, 355; 220/288,
376

(56) **References Cited**

U.S. PATENT DOCUMENTS

- H803 * 8/1990 Sherrington D9/453
- D. 240,716 * 7/1976 Hegi D9/440
- D. 247,351 2/1978 Barthropp .
- D. 325,167 * 4/1992 Humfress D9/453
- D. 381,911 * 8/1997 Lathrop et al. D9/453
- D. 382,482 * 8/1997 Lathrop et al. D9/453
- D. 390,466 * 2/1998 Mao D9/454
- D. 398,852 * 9/1998 Gross D9/453
- D. 418,419 * 1/2000 Briere et al. D9/453

- D. 418,756 1/2000 Reidenbach .
- D. 421,223 * 2/2000 Briere et al. D9/453
- D. 421,389 * 3/2000 Briere et al. D9/453
- D. 426,159 * 6/2000 Briere et al. D9/453
- 2,074,830 3/1937 Conner .
- 2,394,135 2/1946 Baar .
- 3,904,062 * 9/1975 Grussen 215/252
- 4,423,821 * 1/1984 McIntosh 215/329
- 5,129,530 * 7/1992 Fuchs 215/252
- 5,443,172 8/1995 Gabriele .
- 5,836,466 * 11/1998 Briere et al. 215/216

FOREIGN PATENT DOCUMENTS

- 2334759 1/1975 (DE) .
- 1246904 10/1960 (FR) .
- WO 89/07682 8/1989 (WO) .

* cited by examiner

Primary Examiner—Cathron Brooks

(74) *Attorney, Agent, or Firm*—Michael J. McGreal

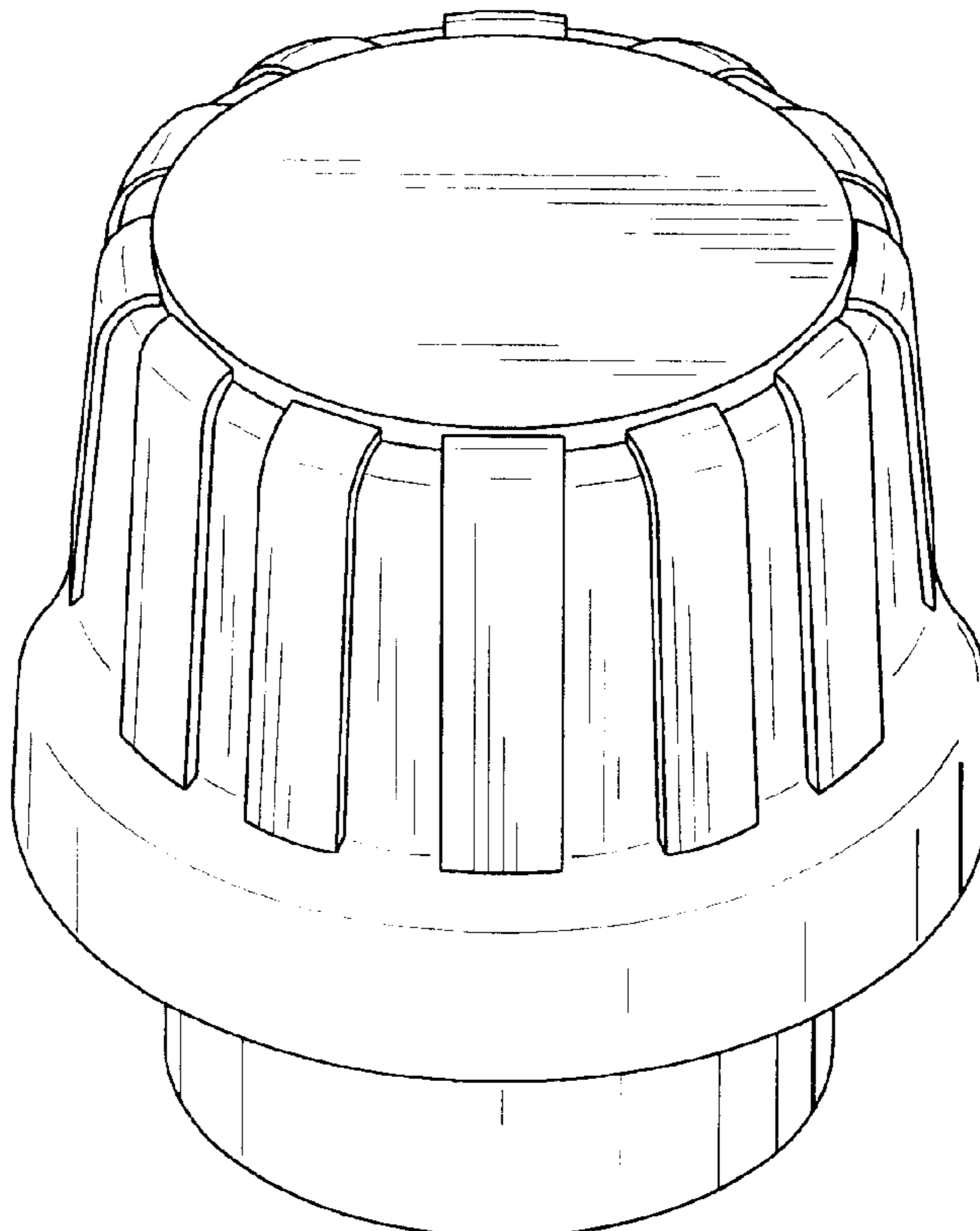
(57) **CLAIM**

The ornamental design for a closure, as shown and described.

DESCRIPTION

FIG. 1 is a perspective view of the closure of our design.
FIG. 2 is a side elevation view thereof.
FIG. 3 is a top plan view thereof; and,
FIG. 4 is a bottom plan view thereof.

1 Claim, 2 Drawing Sheets



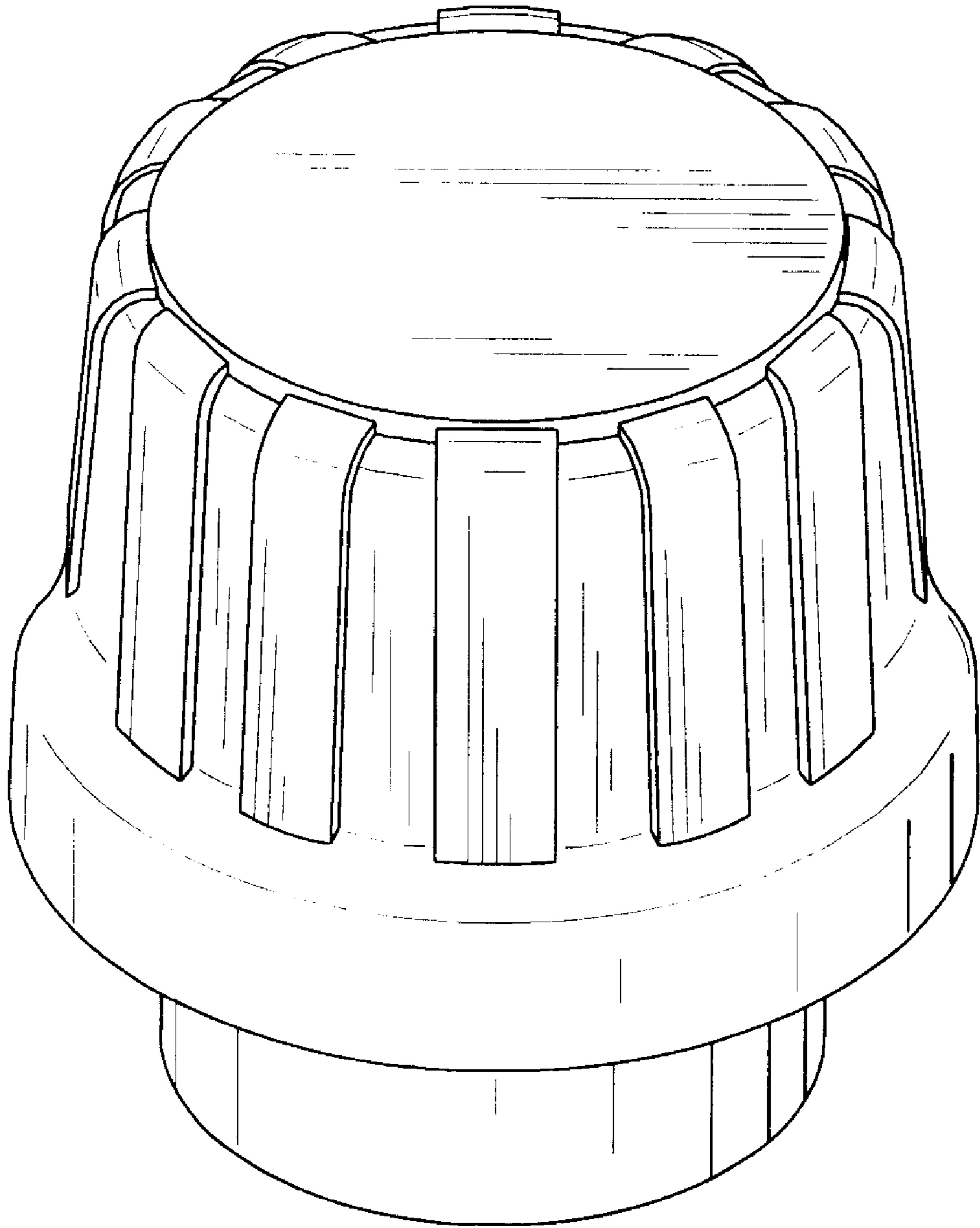


FIG. 1

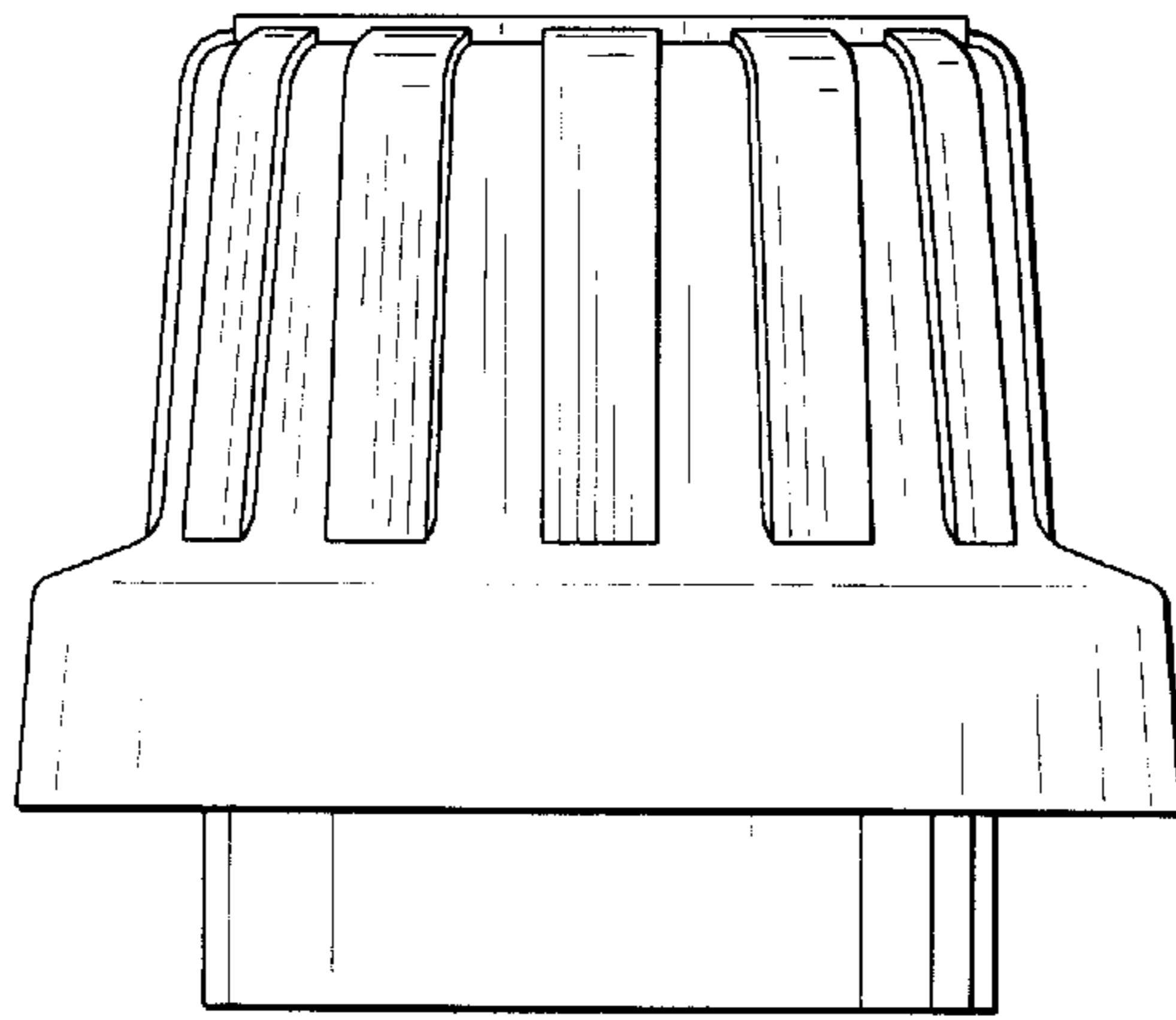


FIG. 2

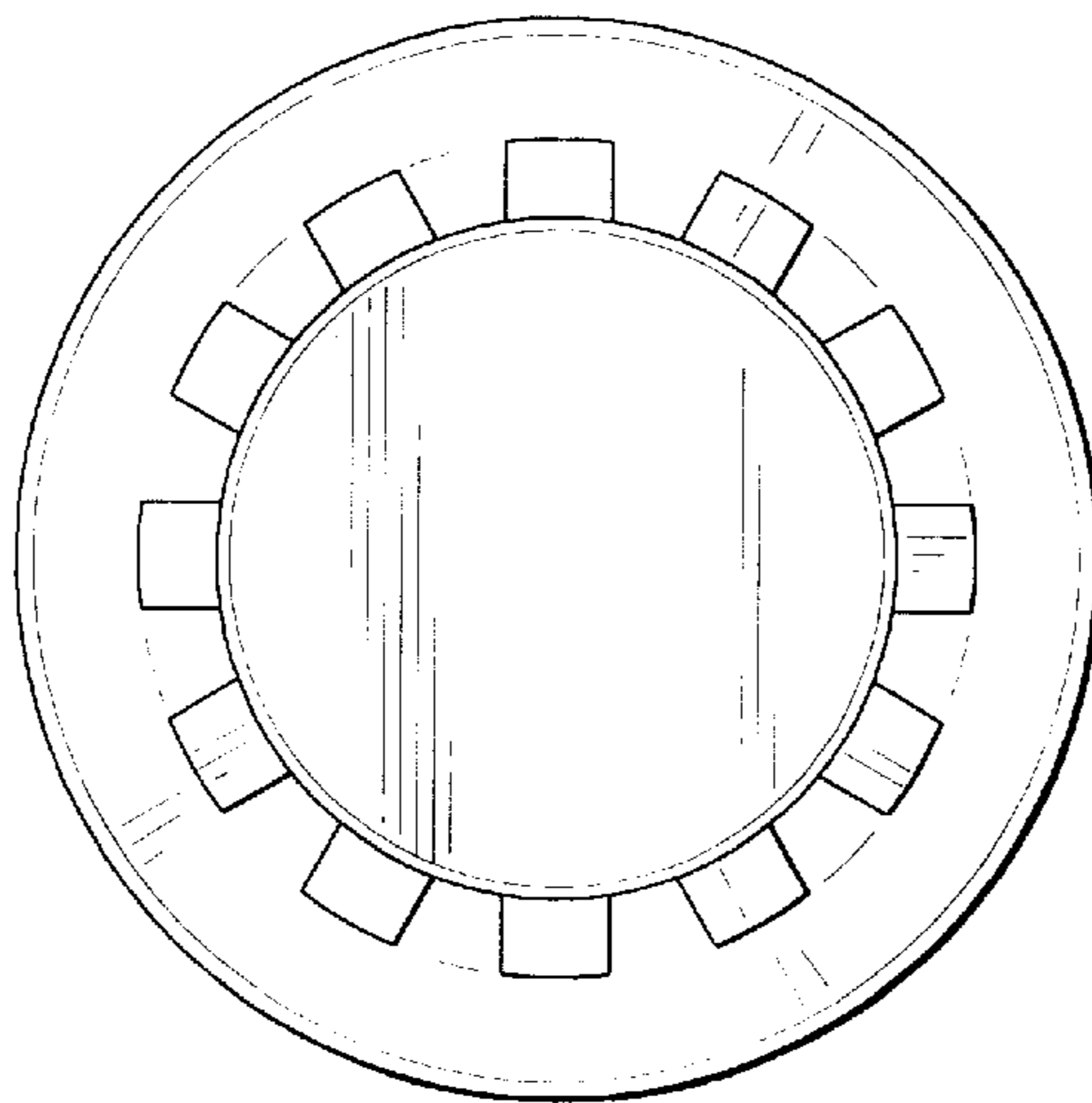


FIG. 3

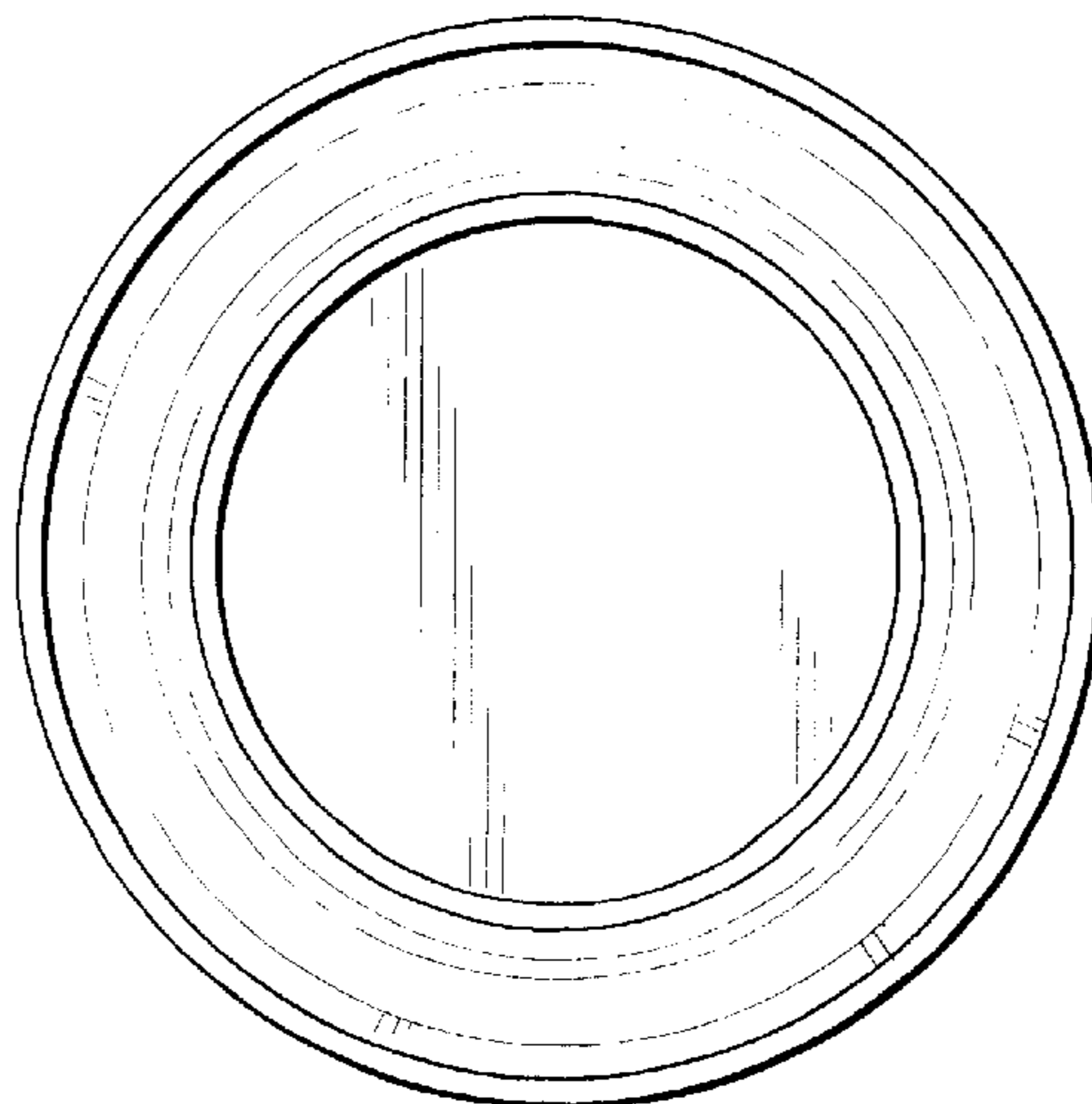


FIG. 4