



US00D444063S

(12) **United States Design Patent**  
**Buck et al.**

(10) **Patent No.: US D444,063 S**

(45) **Date of Patent: \*\* Jun. 26, 2001**

(54) **FLEXIBLE OPENING FOR A CONTAINER**  
(75) Inventors: **Frederick Allan Buck**, Neenah;  
**Andrew Kuo**, Appleton; **Yvette Lynn Hammonds**, Fond du Lac, all of WI (US); **John David Amundson**, Crawley (GB)

4,289,262 9/1981 Finkelstein .  
4,337,876 \* 7/1982 Thompson ..... 221/36  
4,784,290 11/1988 Howard .  
5,704,471 1/1998 Yamada .  
5,740,913 \* 4/1998 McFarland ..... 206/494  
5,785,179 7/1998 Buczwinski et al. .  
6,152,322 \* 11/2000 Marino ..... 221/63

(73) Assignee: **Kimberly-Clark Worldwide, Inc.**,  
Neenah, WI (US)

(\*\*) Term: **14 Years**

(21) Appl. No.: **29/134,387**

(22) Filed: **Dec. 19, 2000**

**Related U.S. Application Data**

(62) Division of application No. 29/121,011, filed on Mar. 30, 2000.

(51) **LOC (7) Cl.** ..... **09-07**

(52) **U.S. Cl.** ..... **D9/447**

(58) **Field of Search** ..... D9/434, 447, 449,  
D9/450, 339; D6/515, 518, 522; 206/205,  
410, 409, 494; 221/33, 40, 50, 63; 222/545,  
546, 570; 225/106

(56) **References Cited**

**U.S. PATENT DOCUMENTS**

- D. 263,283 \* 3/1982 Ronayne ..... D9/449
- D. 296,765 \* 7/1988 Urion ..... D9/434
- D. 395,952 7/1998 Buczwinski et al. .
- D. 397,938 \* 9/1998 Graham et al. .... D9/454
- D. 414,637 10/1999 Amundson et al. .
- D. 430,455 \* 9/2000 Pickens ..... D7/392.1
- 2,004,614 \* 6/1935 Meagher ..... 206/63.5 X
- 3,095,991 \* 7/1963 Paniagua ..... 215/303
- 3,749,296 \* 7/1973 Harrison ..... 225/106
- 3,868,052 \* 2/1975 Rockefeller ..... 225/106
- 3,994,417 11/1976 Boedecker .
- 4,004,687 \* 1/1977 Boone ..... 221/45 X
- 4,017,002 \* 4/1977 Doyle et al. .... 221/63
- 4,133,457 \* 1/1979 Klassen ..... 222/212
- 4,180,160 12/1979 Ogawa et al. .

**FOREIGN PATENT DOCUMENTS**

- 0 068 722 B1 4/1988 (EP) .
- 0 331 027 B1 1/1992 (EP) .
- 0 744 357 A1 11/1996 (EP) .
- 0 644 130 B1 5/1998 (EP) .

**OTHER PUBLICATIONS**

American Society for Testing Materials (ASTM) Designation: D 412-98a "Standard Test Methods for Vulcanized Rubber and Thermoplastic Elastomers—Tension<sup>1</sup>" pp. 43-55, published Aug. 1998.

American Society for Testing Materials (ASTM) Designation: D 790-99 "Standard Test Methods for Flexural Properties of Unreinforced and Reinforced Plastics and Electrical Insulating Materials<sup>1</sup>" pp. 150-158, published Feb. 2000.

American Society for Testing Materials (ASTM) Designation: D 2240-97<sup>e1</sup> "Standard Test Method for Rubber Property—Durometer Hardness<sup>1</sup>" pp. 400-403, published Mar. 1997.

American Society for Testing Materials (ASTM) Designation: D 6125-97 "Standard Test Method for Bending Resistance of Paper and Paperboard (Gurley Type Tester)<sup>1</sup>" pp. 885-889, published Feb. 1998.

\* cited by examiner

*Primary Examiner*—Cathron C. Brooks

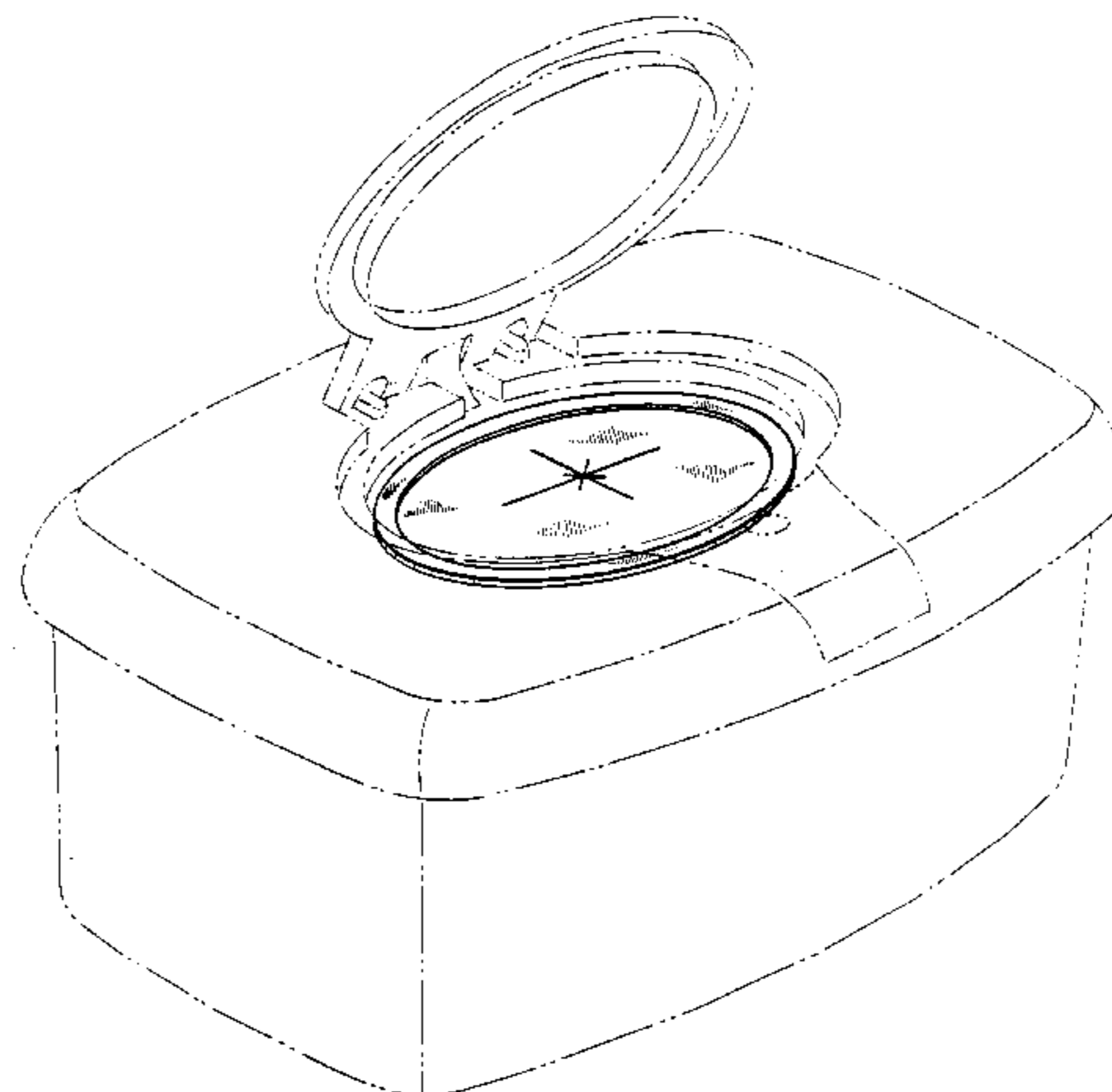
(74) *Attorney, Agent, or Firm*—Michael J. Bendel

(57) **CLAIM**

The ornamental design for a flexible opening for a container, as shown and described.

**DESCRIPTION**

FIG. 1 is a perspective view of the flexible opening for a container. In this Figure and FIGS. 2-7 that follow, the phantom lines depict the environment of the dispensing



opening and form no part of the claimed design.  
FIG. 2 is a top plan view of the container of FIG. 1.  
FIG. 3 is a bottom view of the container of FIG. 1.  
FIG. 4 is a front view of the container of FIG. 1.  
FIG. 5 is a rear view of the container of FIG. 1.

FIG. 6 is a right side view of the container of FIG. 1; and,  
FIG. 7 is a left side view of the container of FIG. 1.

**1 Claim, 5 Drawing Sheets**

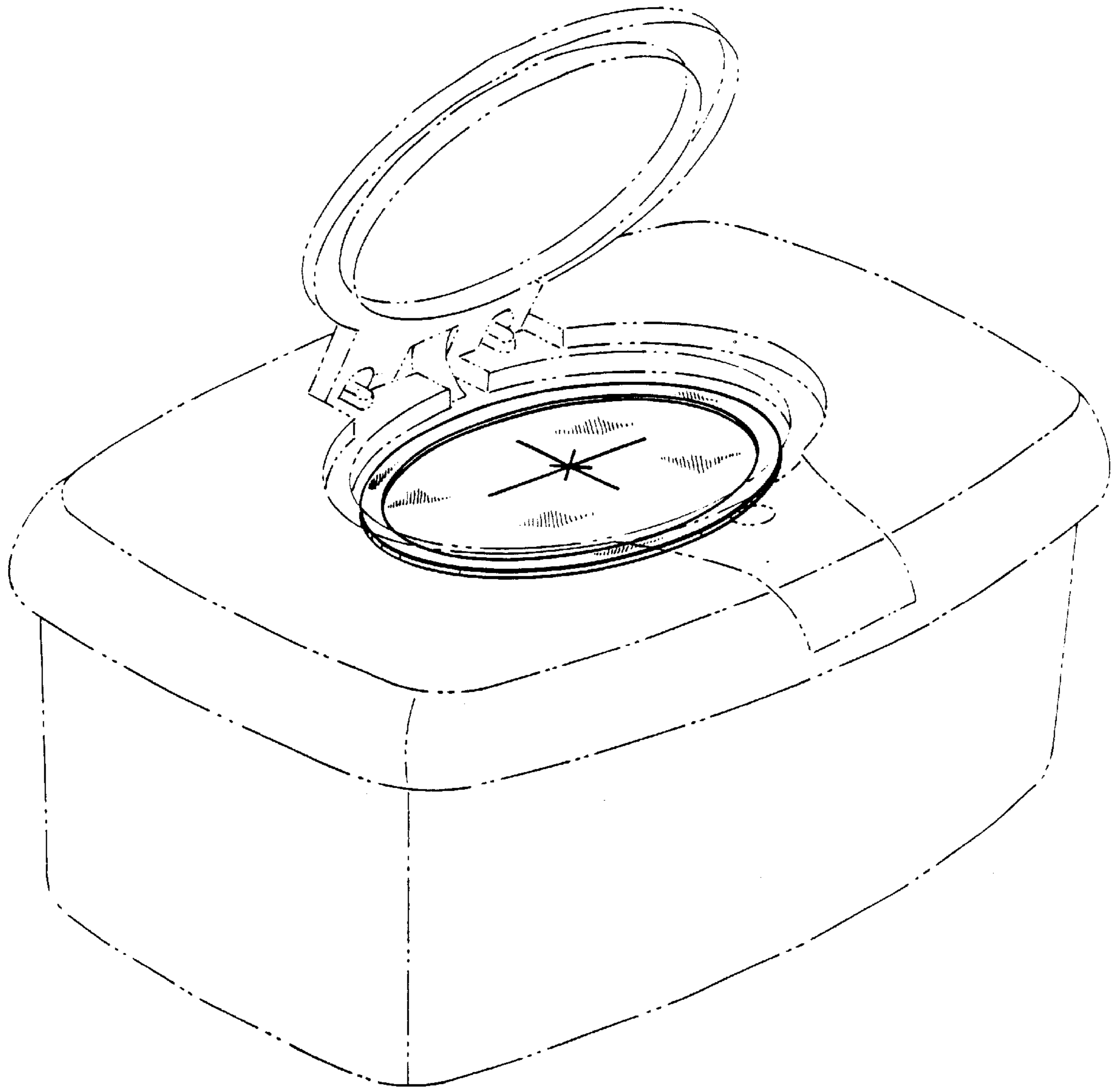


FIG. 1

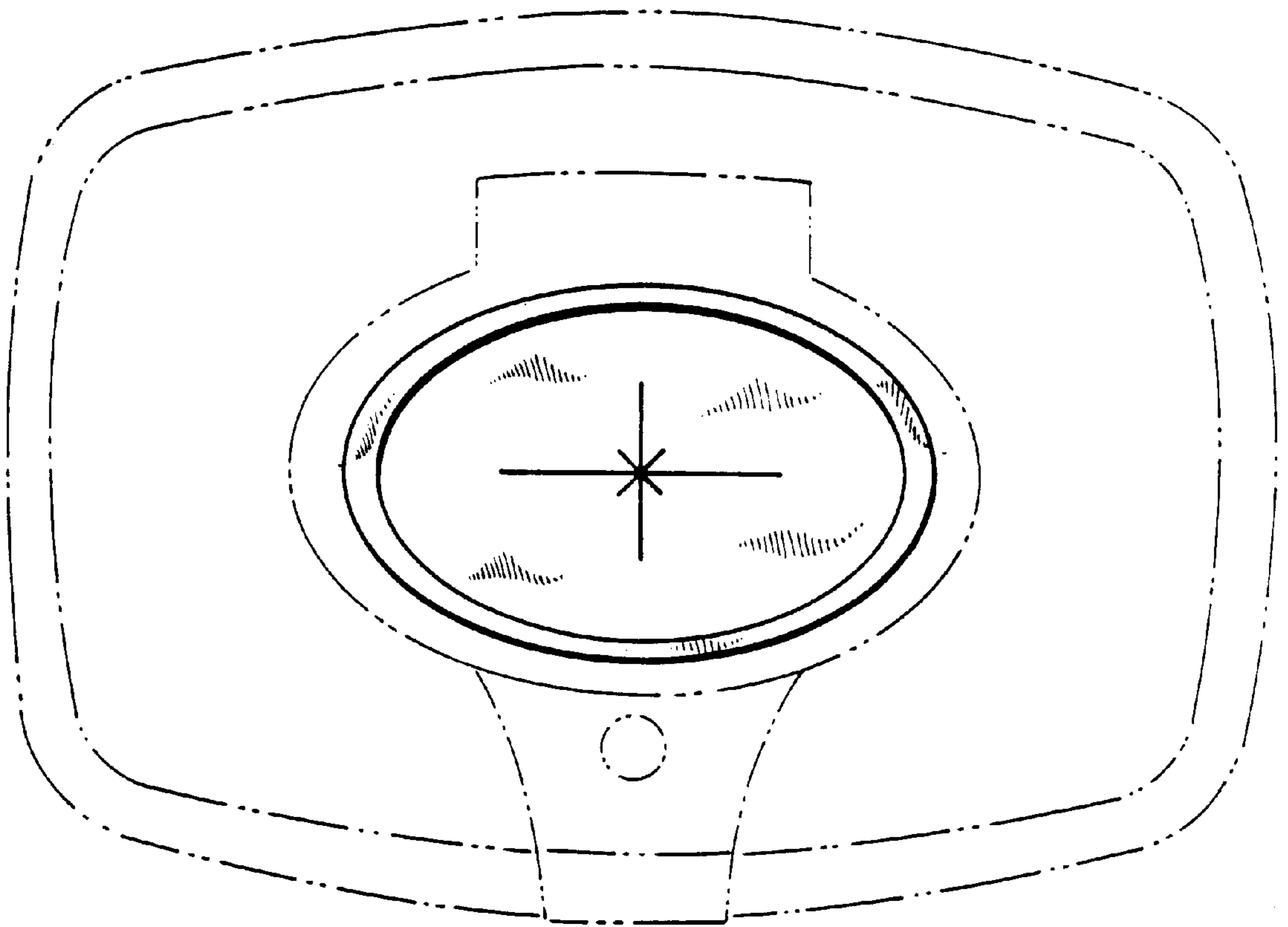


FIG. 2

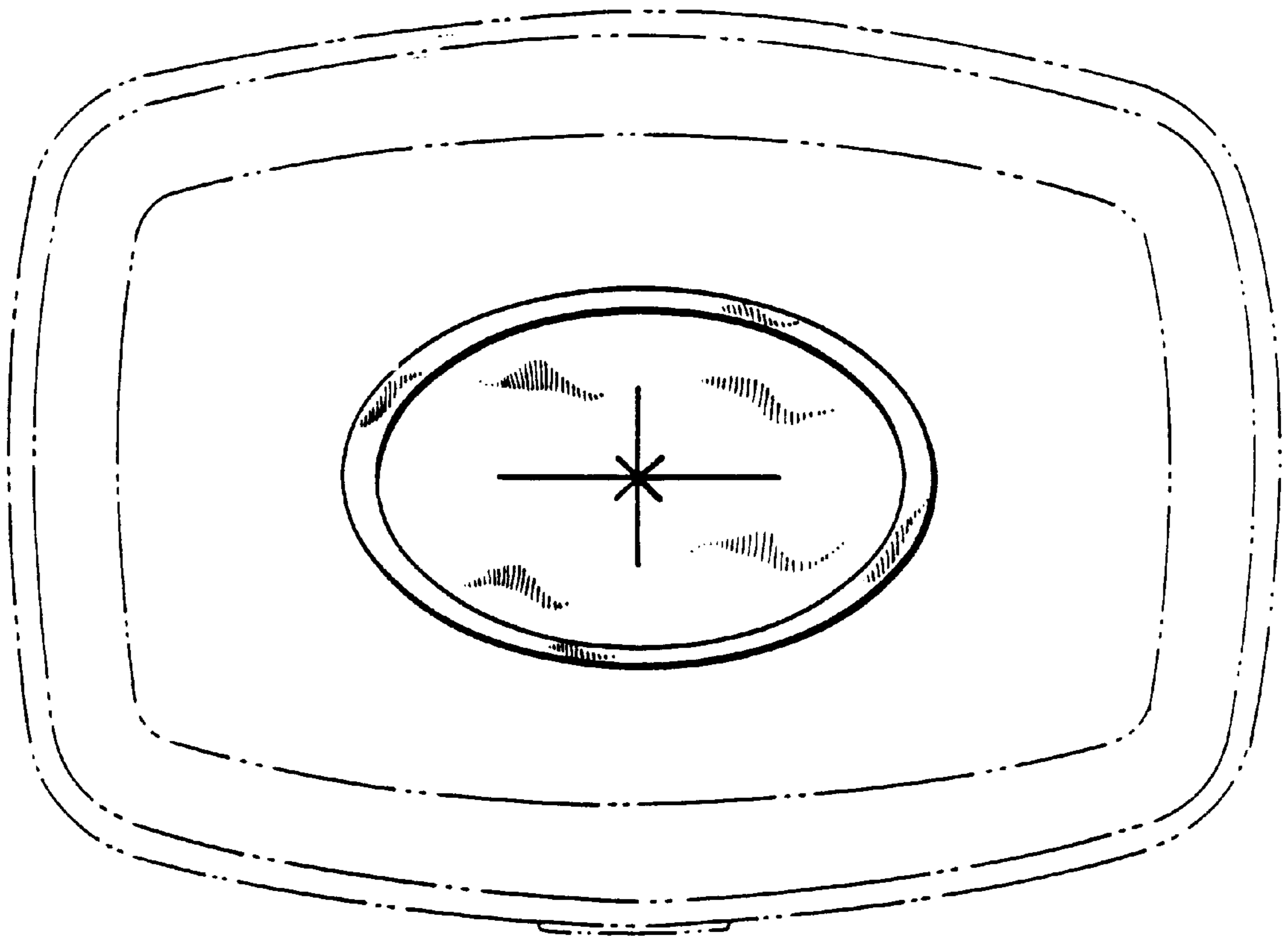


FIG. 3

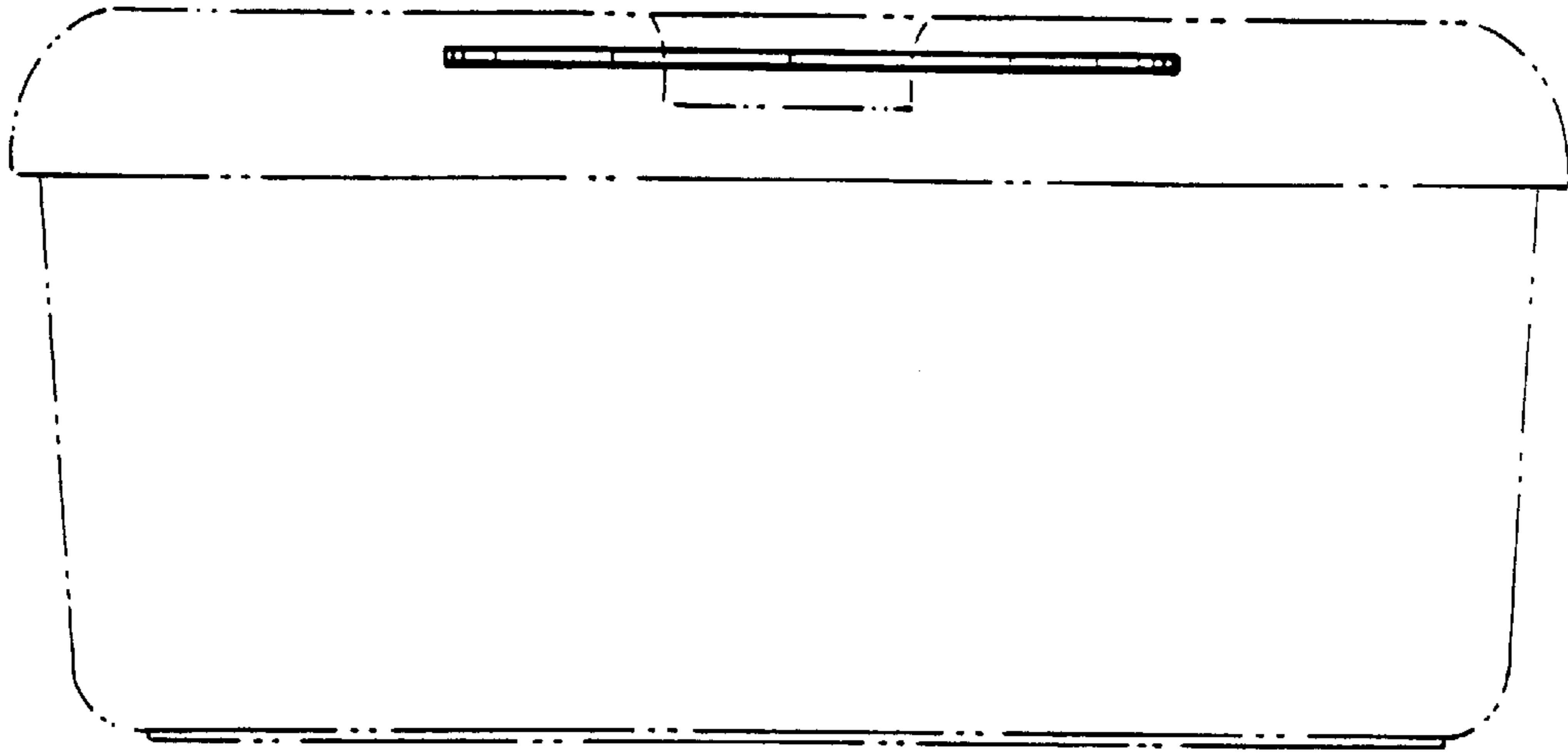


FIG. 4

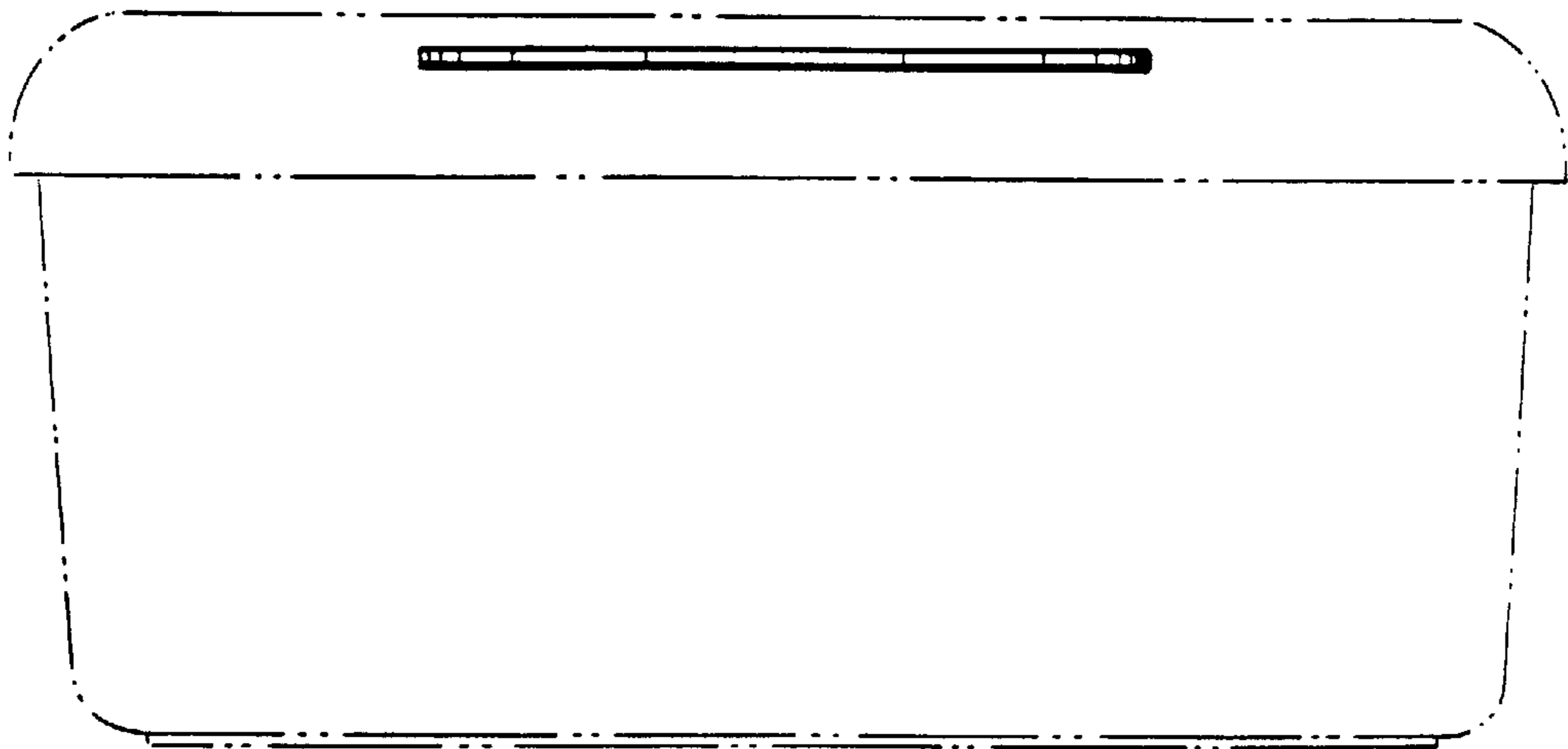
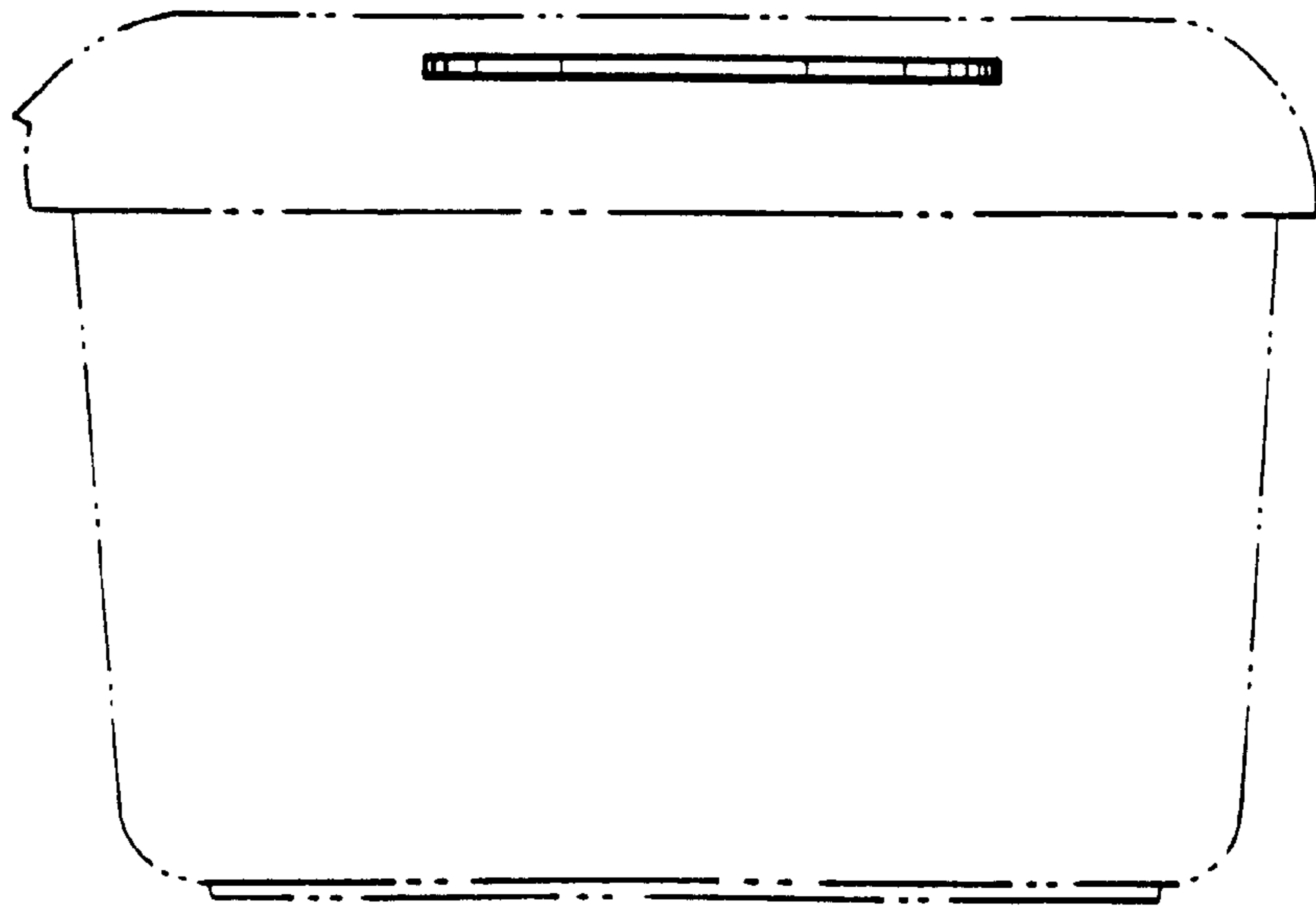
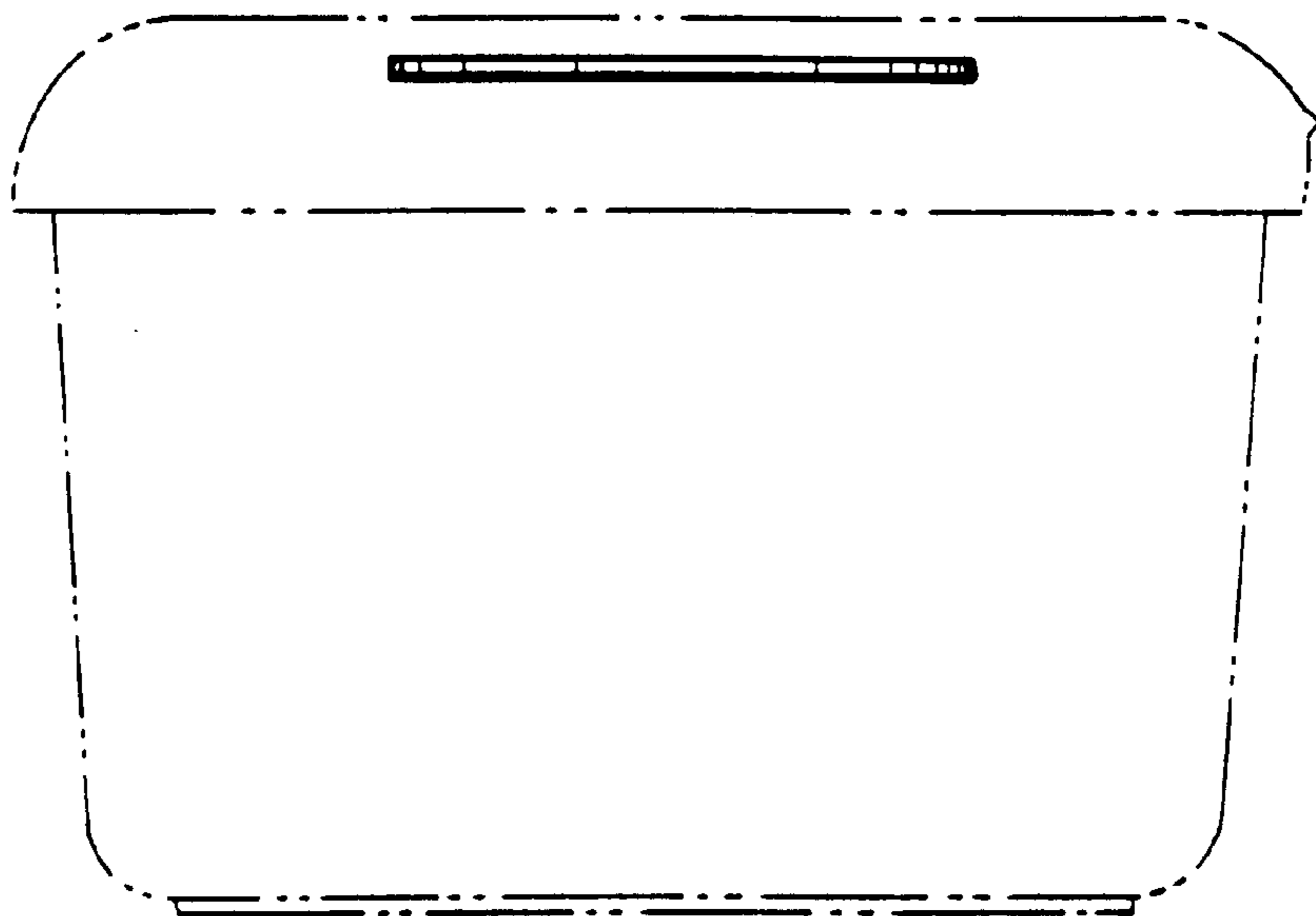


FIG. 5



**FIG. 6**



**FIG. 7**