



US00D444061S

(12) **United States Design Patent**
Dardashti

(10) **Patent No.:** **US D444,061 S**

(45) **Date of Patent:** **** Jun. 26, 2001**

(54) **TRANSPARENT DISPLAY AND STORAGE BOX**

(76) **Inventor:** **Shahriar Dardashti**, c/o Atlantic, Inc.,
P.O. Box 2399, Santa Fe Springs, CA
(US) 90670

(**) **Term:** **14 Years**

(21) **Appl. No.:** **29/115,119**

(22) **Filed:** **Dec. 8, 1999**

(51) **LOC (7) Cl.** **09-03**

(52) **U.S. Cl.** **D9/430; D9/433**

(58) **Field of Search** D9/337, 415, 418,
D9/424, 430, 431; 229/115, 108; 206/551;
D6/407

(56) **References Cited**

U.S. PATENT DOCUMENTS

D. 327,189	*	6/1992	McPherson et al.	D6/474
D. 356,033	*	3/1995	Horvat et al.	D9/430
D. 425,415	*	5/2000	Kumakura et al.	D9/415
D. 429,462	*	8/2000	Kumakura et al.	D9/415
D. 429,637	*	8/2000	Kumakura et al.	D9/415
D. 431,936	*	10/2000	Moen et al.	D6/461
443,397	*	12/1890	Mack	229/115
1,089,593	*	3/1914	Skall	312/114
1,598,235	*	8/1926	Barbieri	229/115
5,358,124	*	10/1994	Mueller	211/41
5,788,088	*	8/1998	Kao	D6/407
6,126,020	*	10/2000	Mok	D6/407

OTHER PUBLICATIONS

Prior Art—FIG. 1, FIG. 2, FIG. 3.

* cited by examiner

Primary Examiner—Ted Shooman

Assistant Examiner—Carol Rademaker

(74) *Attorney, Agent, or Firm*—Oppenheimer Wolff &
Donnelly LLP

(57) **CLAIM**

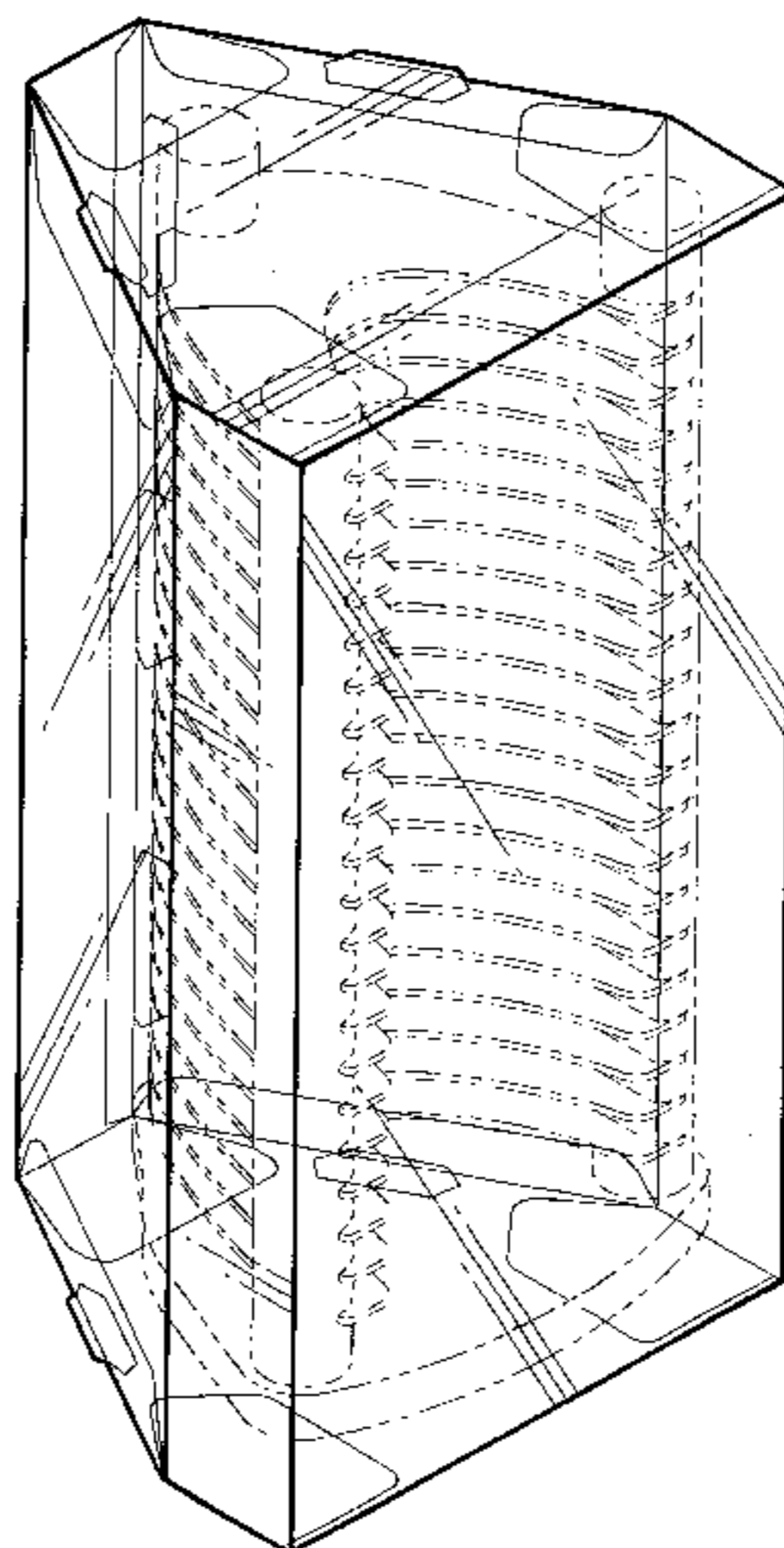
The ornamental design for a transparent display and storage box, as shown and described.

DESCRIPTION

FIG. 1 is a perspective view of a transparent display and storage box of the present invention;
 FIG. 2 is a front elevational view of the box;
 FIG. 3 is an enlarged view taken on circle 3 of FIG. 2;
 FIG. 4 is a cross-sectional view taken on line 4—4 in FIG. 3;
 FIG. 5 is an enlarged view taken on circle 5 of FIG. 2;
 FIG. 6 is a cross-sectional view taken on line 6—6 of FIG. 5;
 FIG. 7 is a left side elevational view of the box, the right side elevational view being a mirror image thereof;
 FIG. 8 is an enlarged view taken on circle 8 of FIG. 7;
 FIG. 9 is a cross-sectional view taken on line 9—9 of FIG. 8;
 FIG. 10 is an enlarged view taken on circle 10 of FIG. 7;
 FIG. 11 is a cross-sectional view taken on line 11—11 of FIG. 10;
 FIG. 12 is a top plan view of the box;
 FIG. 13 is an enlarged view taken on circle 13 of FIG. 12;
 FIG. 14 is a cross-sectional view taken on line 14—14 of FIG. 13;
 FIG. 15 is an enlarged view taken on circle 5 of FIG. 12;
 FIG. 16 is a cross-sectional view taken on line 16—16 of FIG. 15;
 FIG. 17 is a rear elevational view of the box;
 FIG. 18 is an enlarged view taken on circle 18 of FIG. 17;
 FIG. 19 is a cross-sectional view taken on line 19—19 of FIG. 18; and,
 FIG. 20 is a top view of the box shown in an unfolded flat position.

The dotted line showing of a CD rack in FIG. 1 is for environmental purposes only and forms no part of the claimed design. The pattern of ribs on the transparent display and storage box, shown in FIG. 20 in unfolded condition, and in the enlarged views of FIGS. 3—6, 8—11, 13—16, 18 and 19 has been omitted in FIGS. 1, 2, 7, 12, and 17 for clarity of illustration.

1 Claim, 6 Drawing Sheets



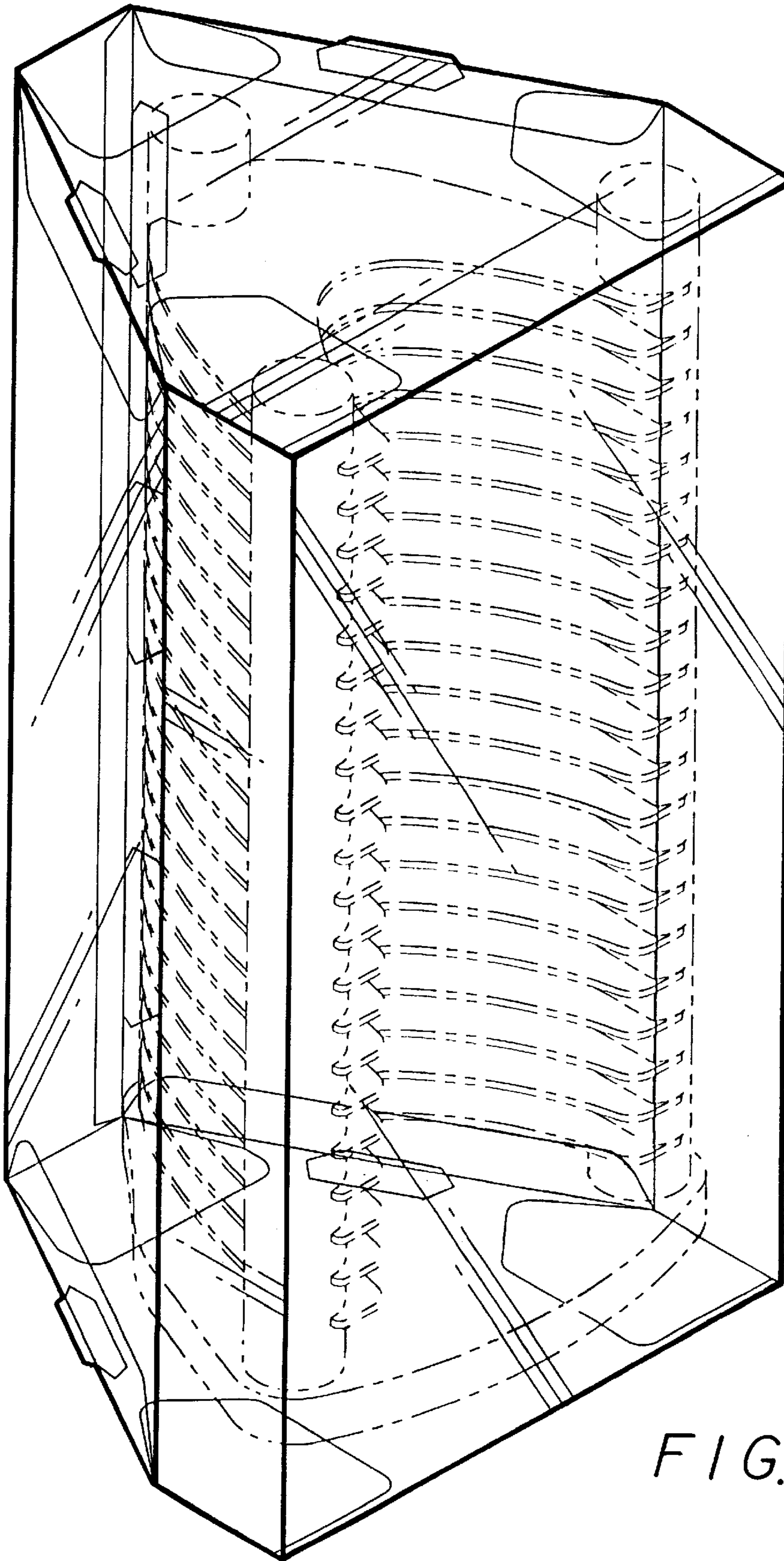


FIG. 1

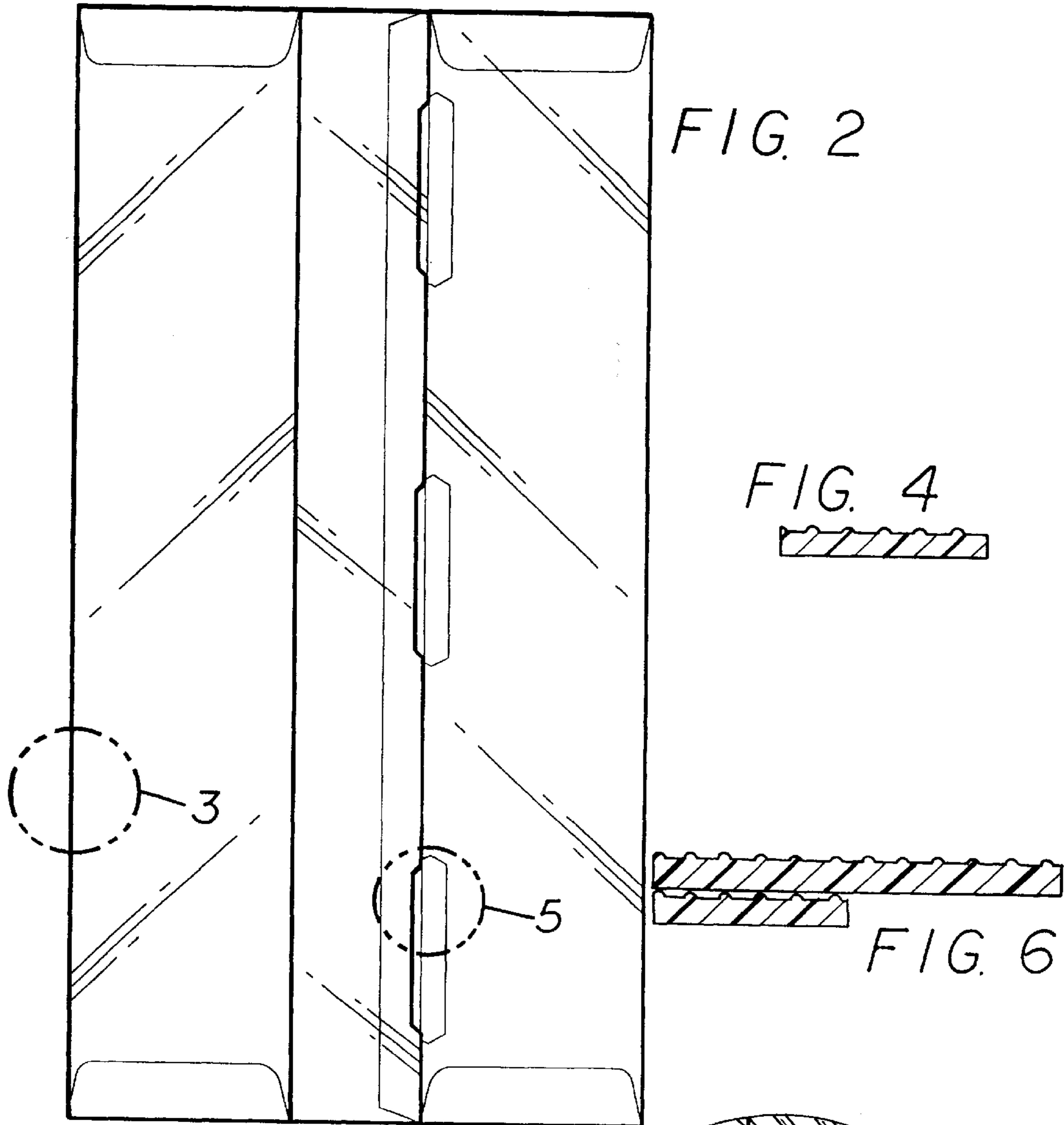


FIG. 2

FIG. 4

FIG. 6

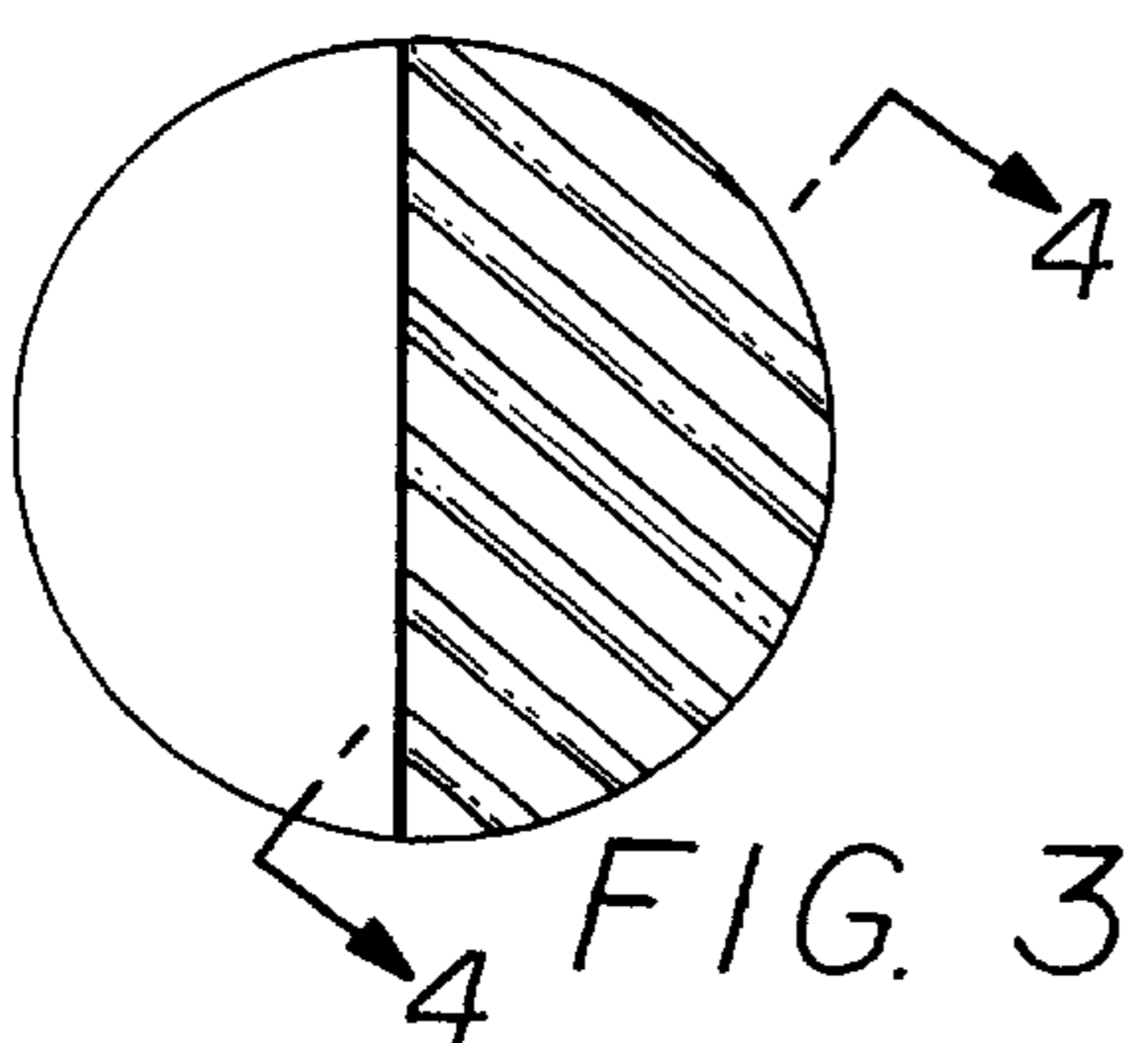


FIG. 3

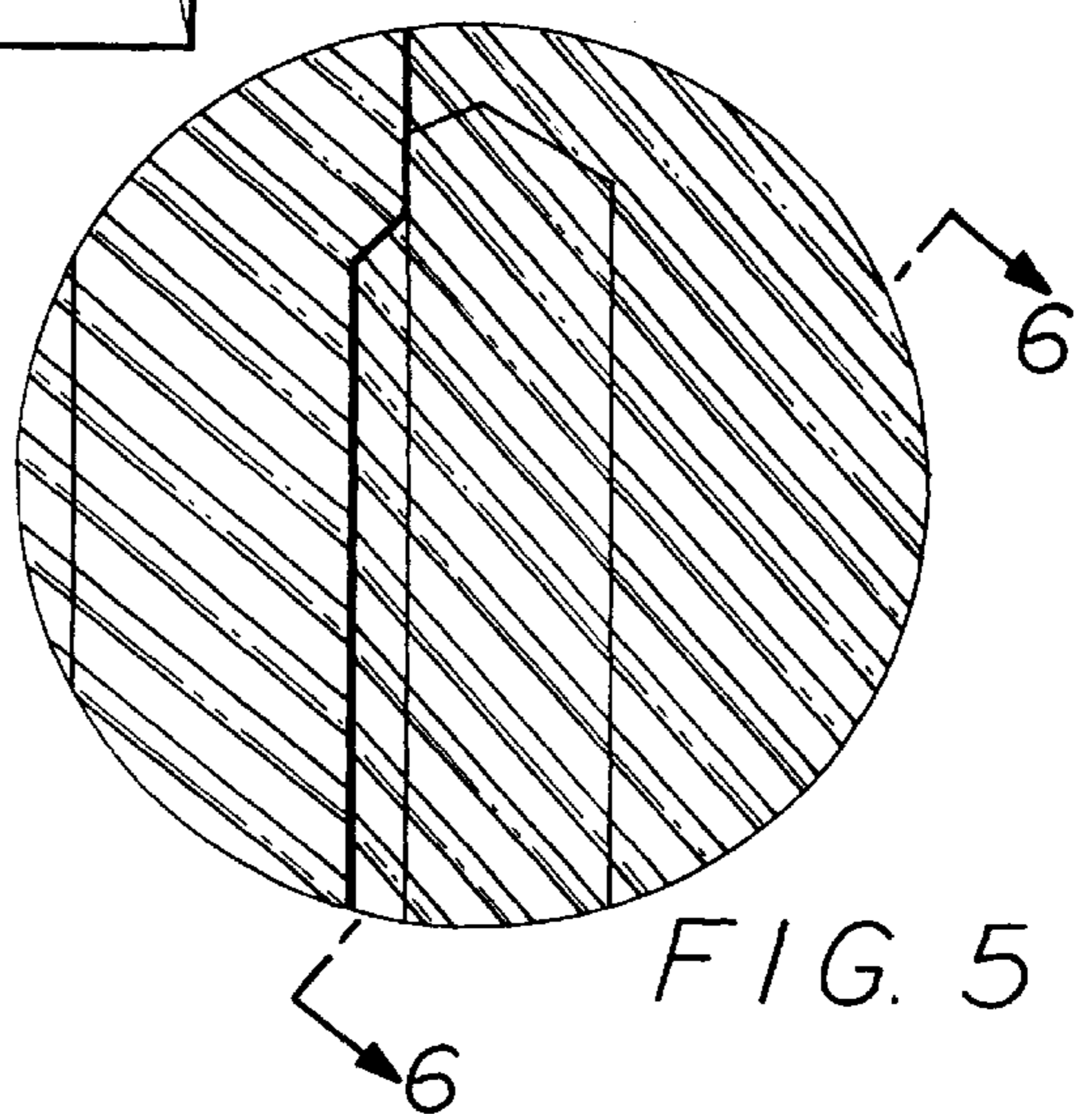


FIG. 5

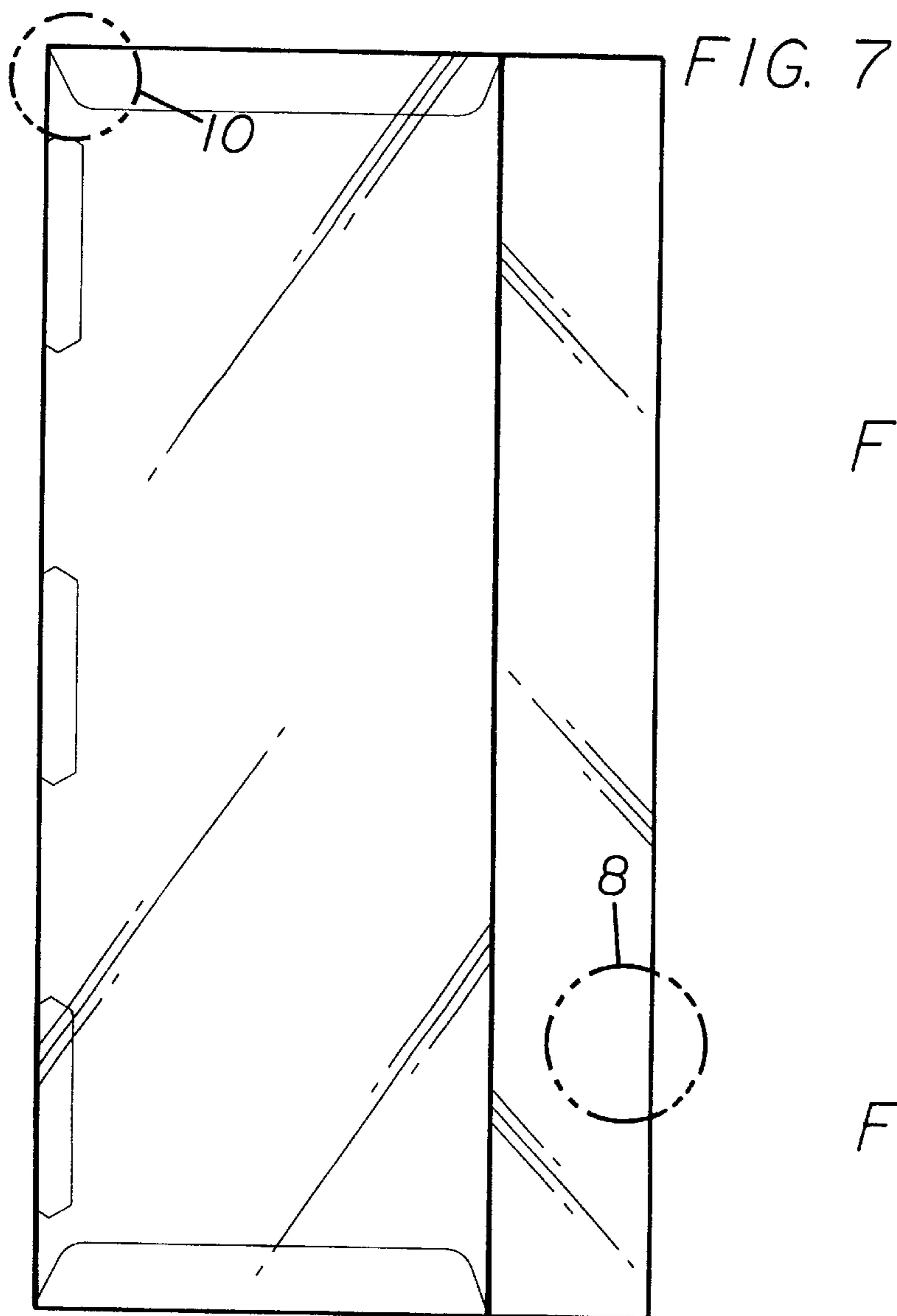


FIG. 7



FIG. 9



FIG. 11

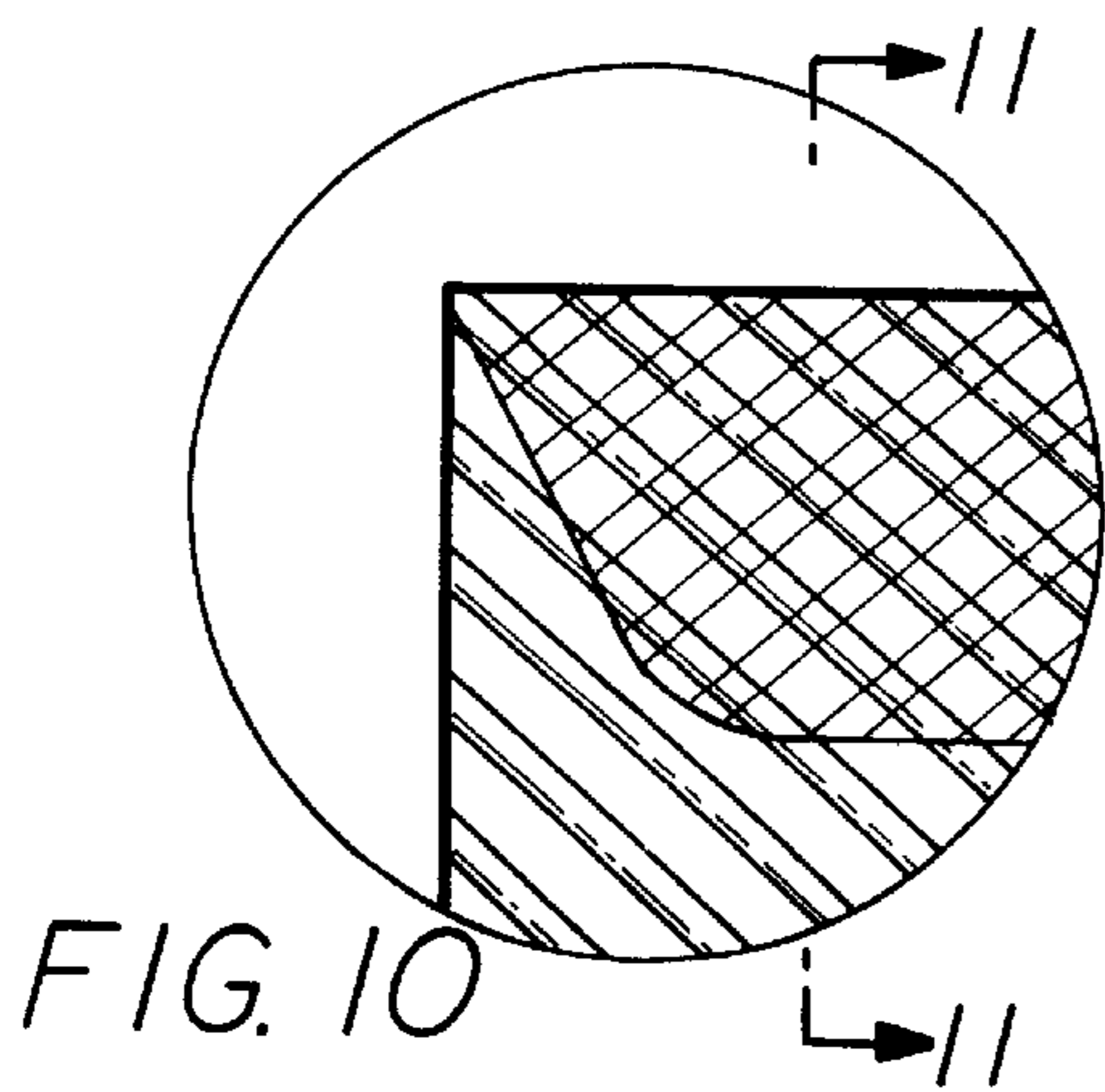


FIG. 10

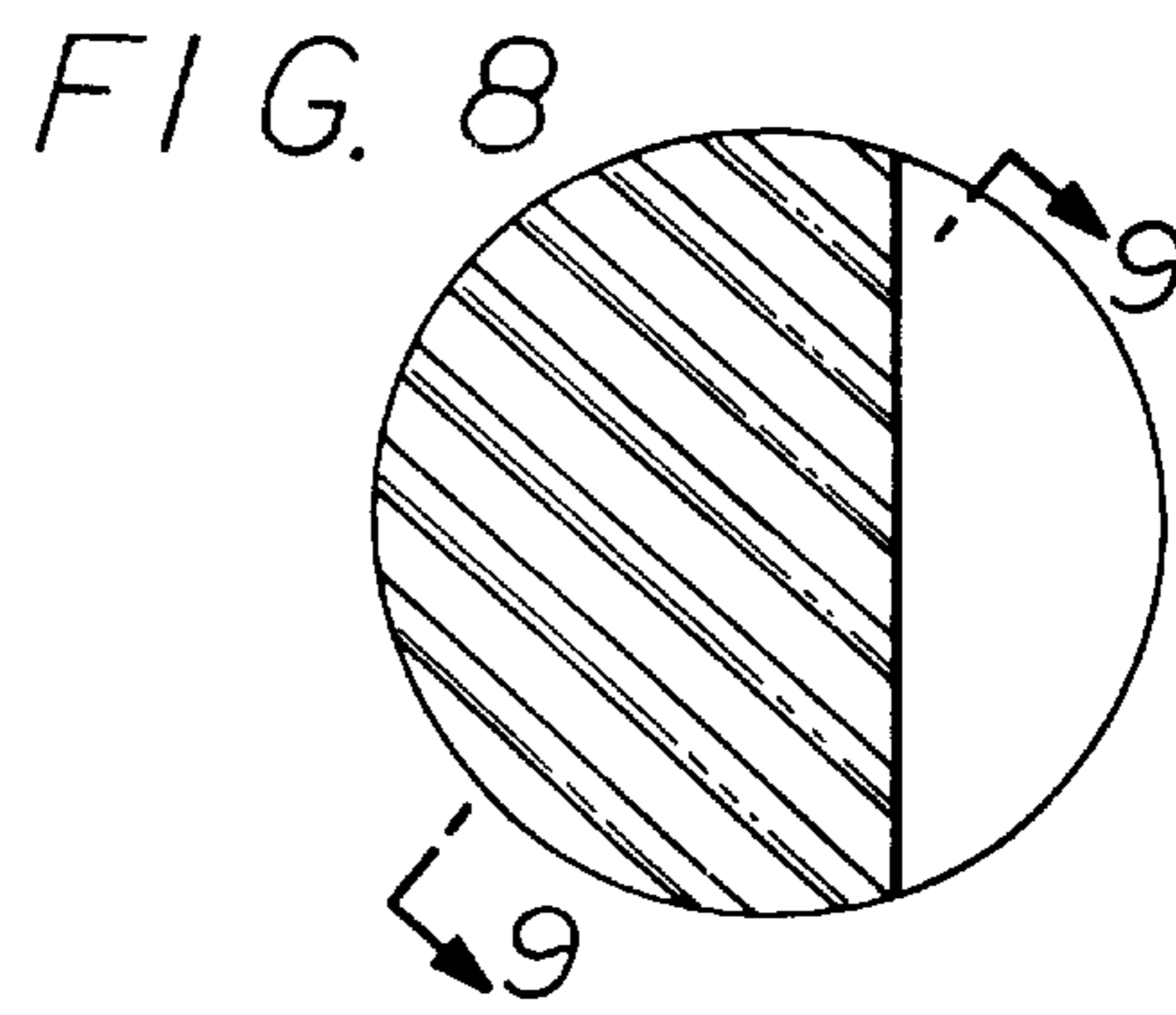
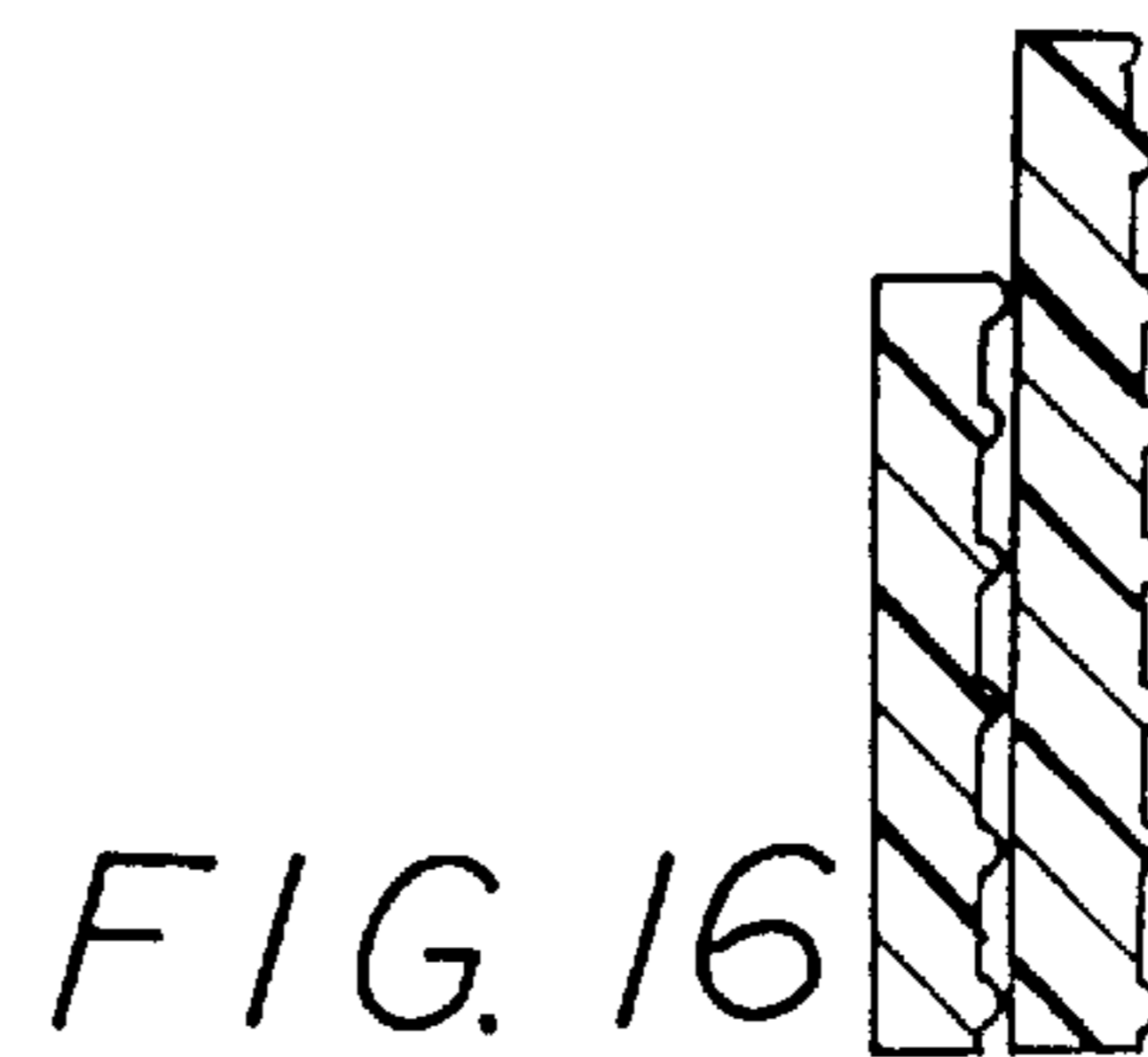
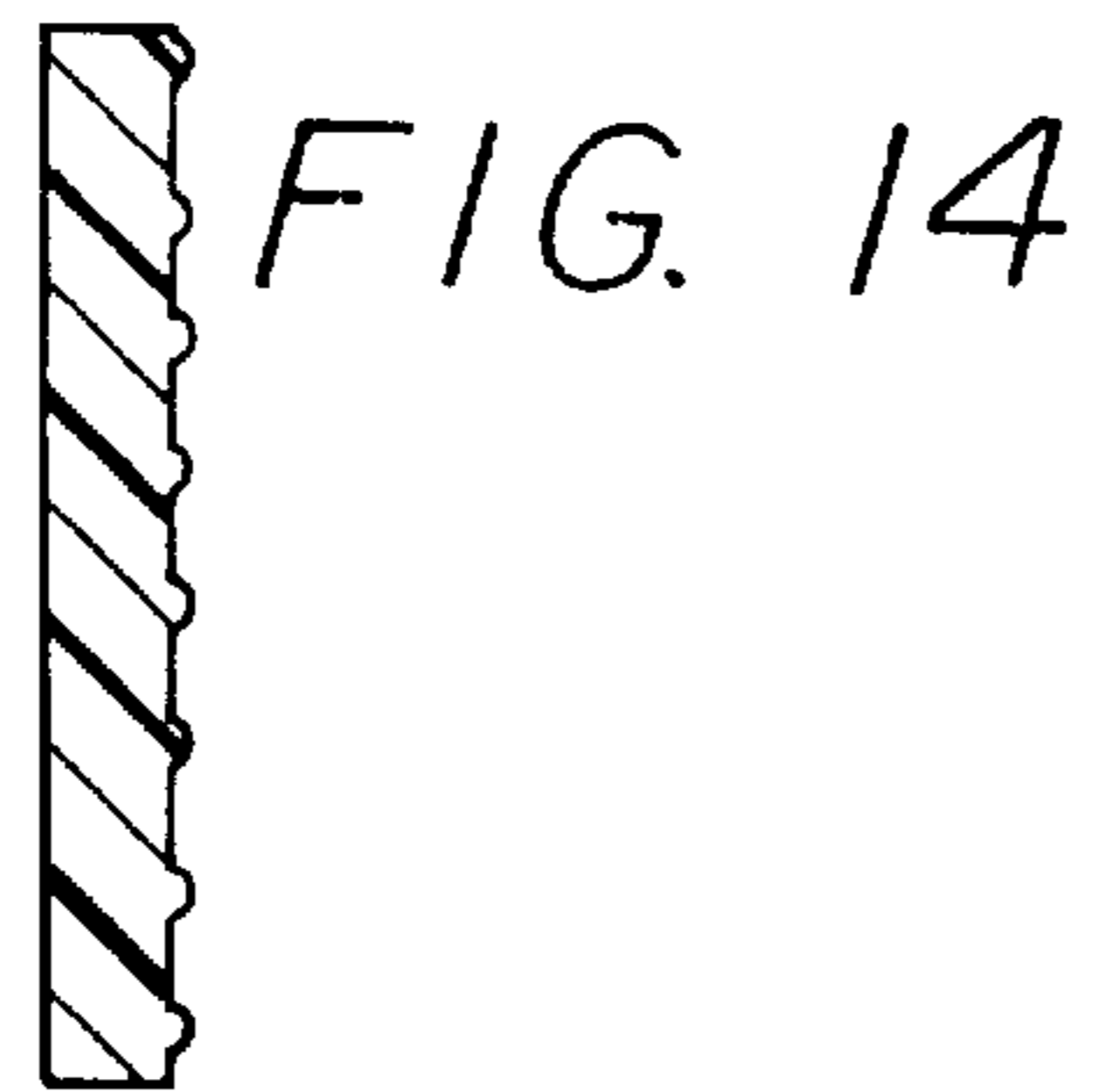
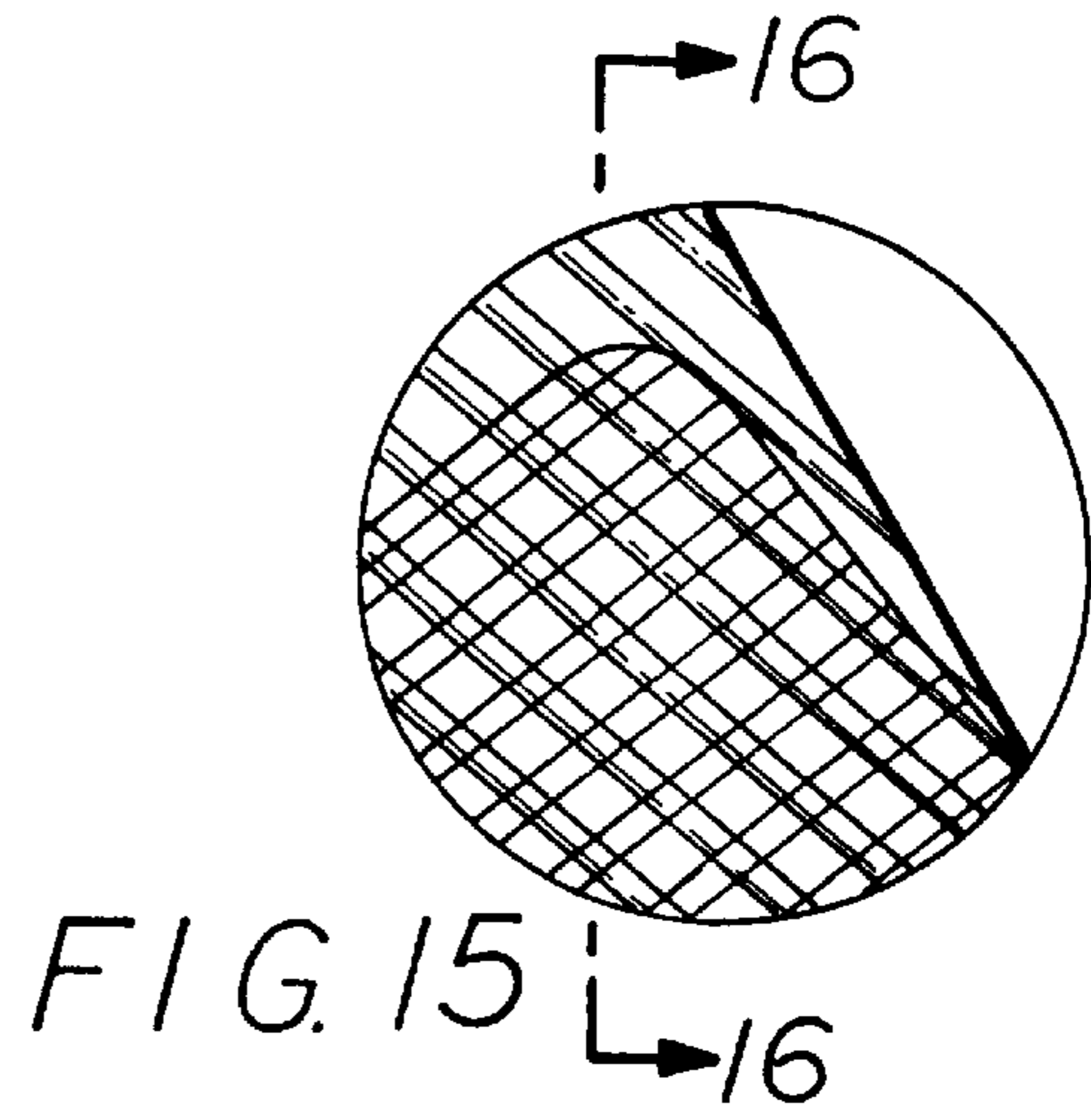
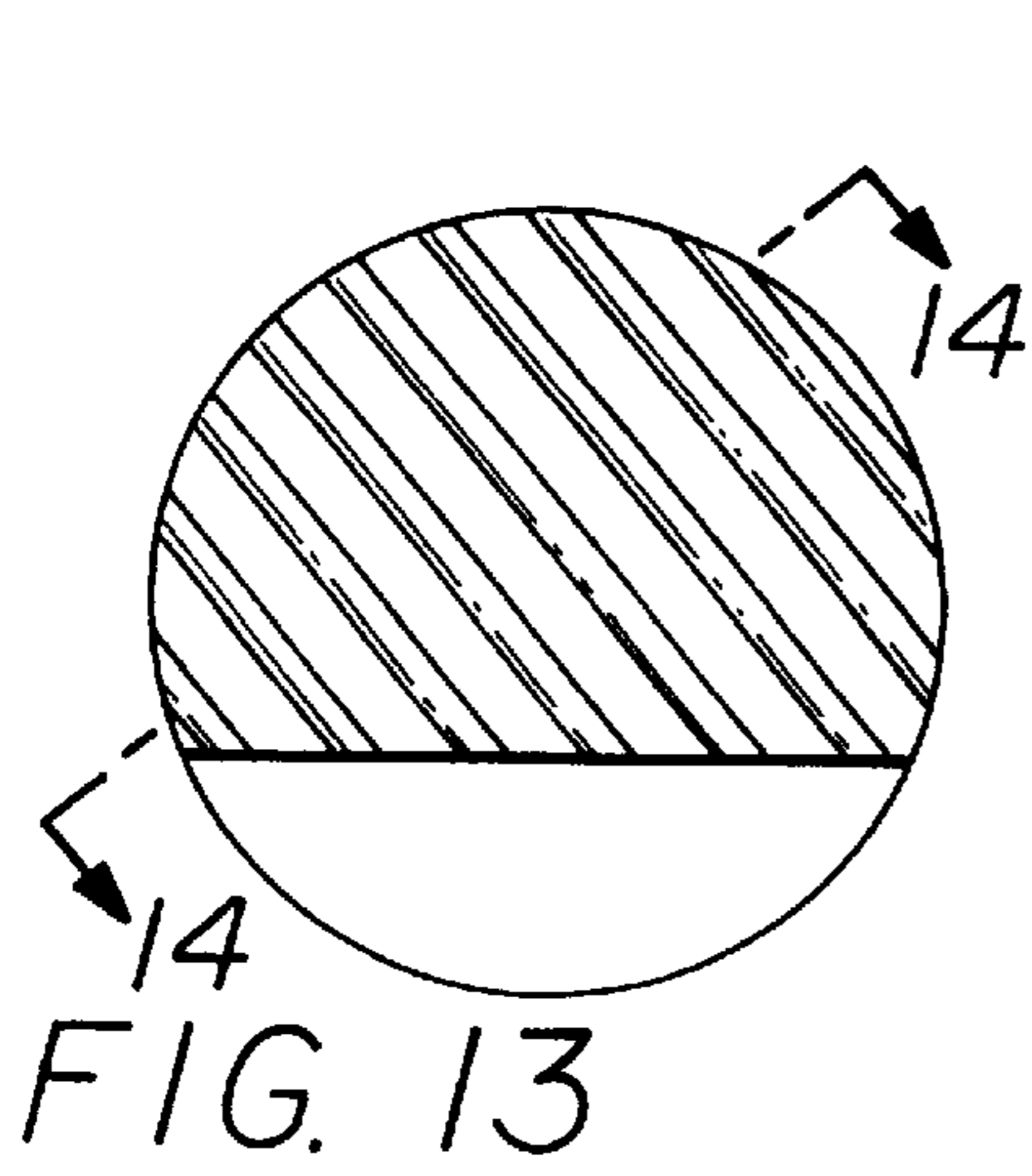
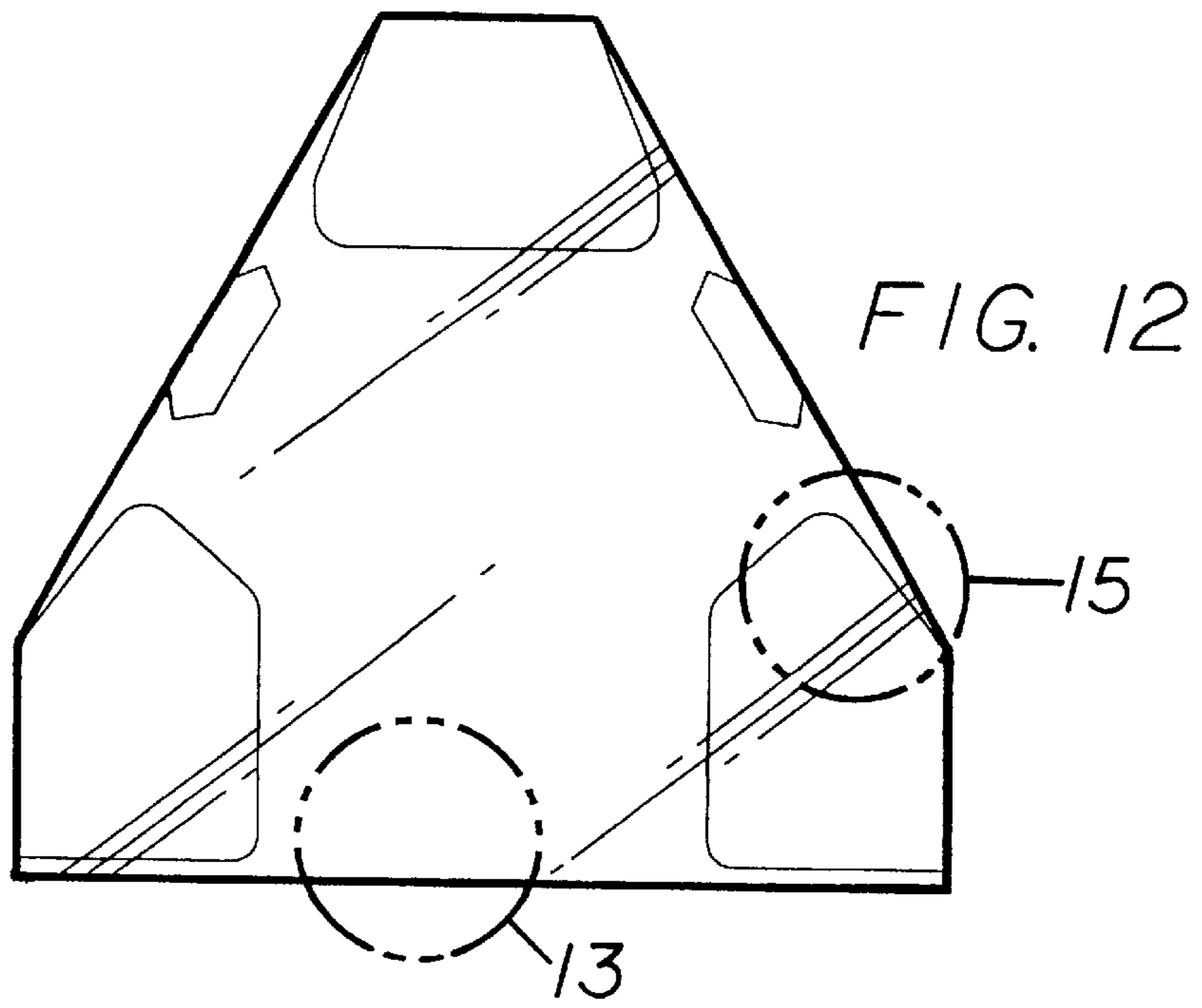
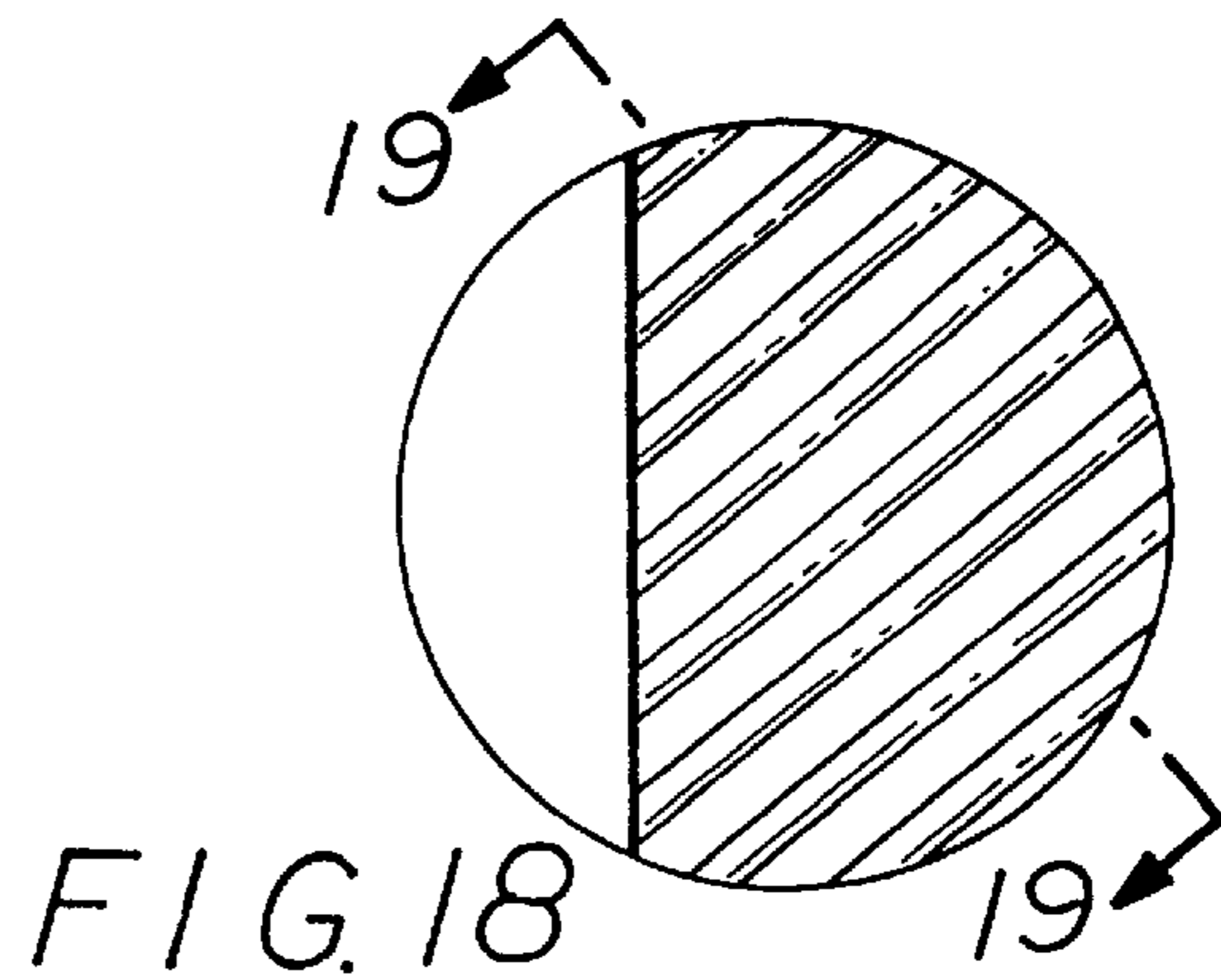
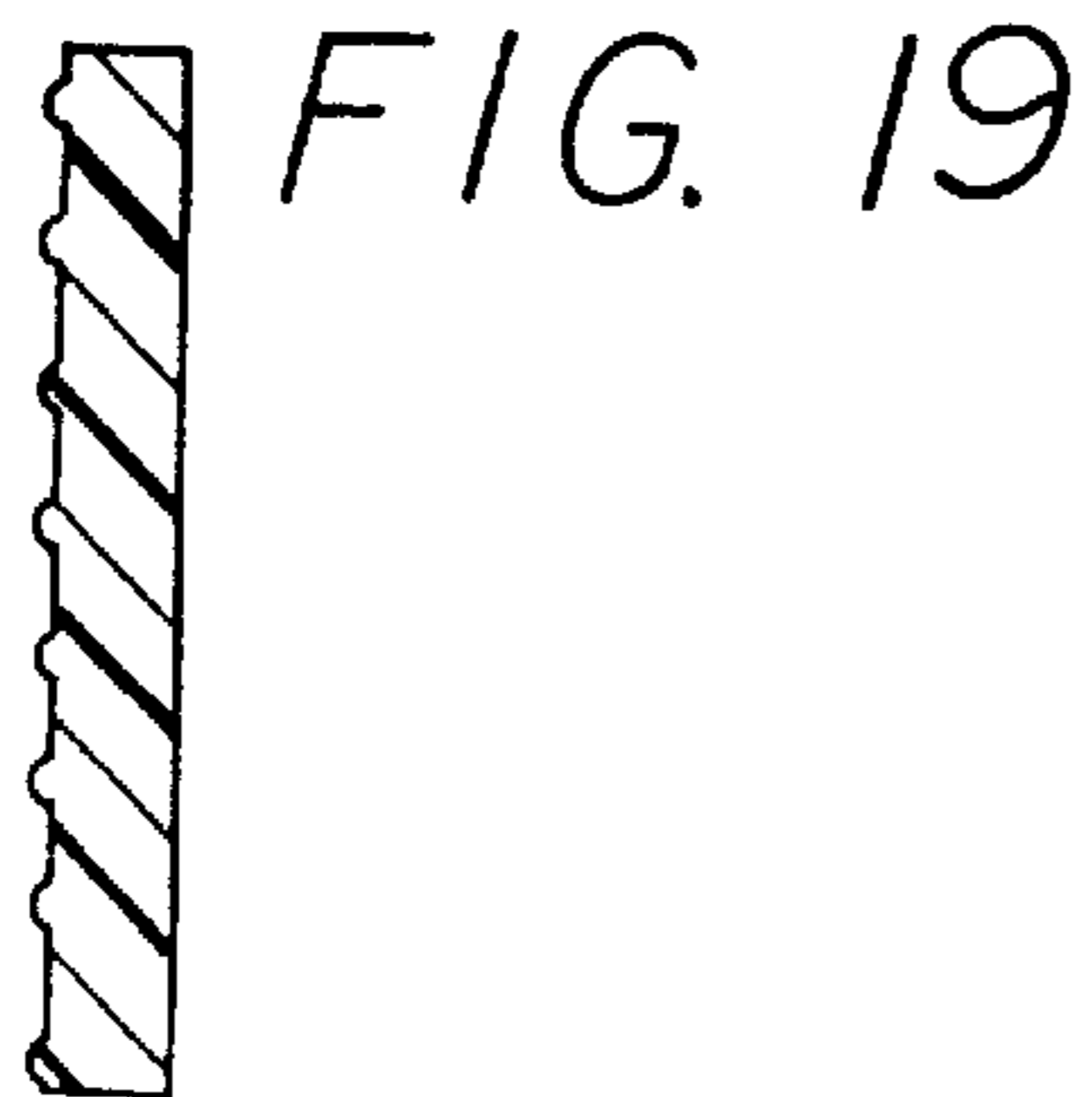
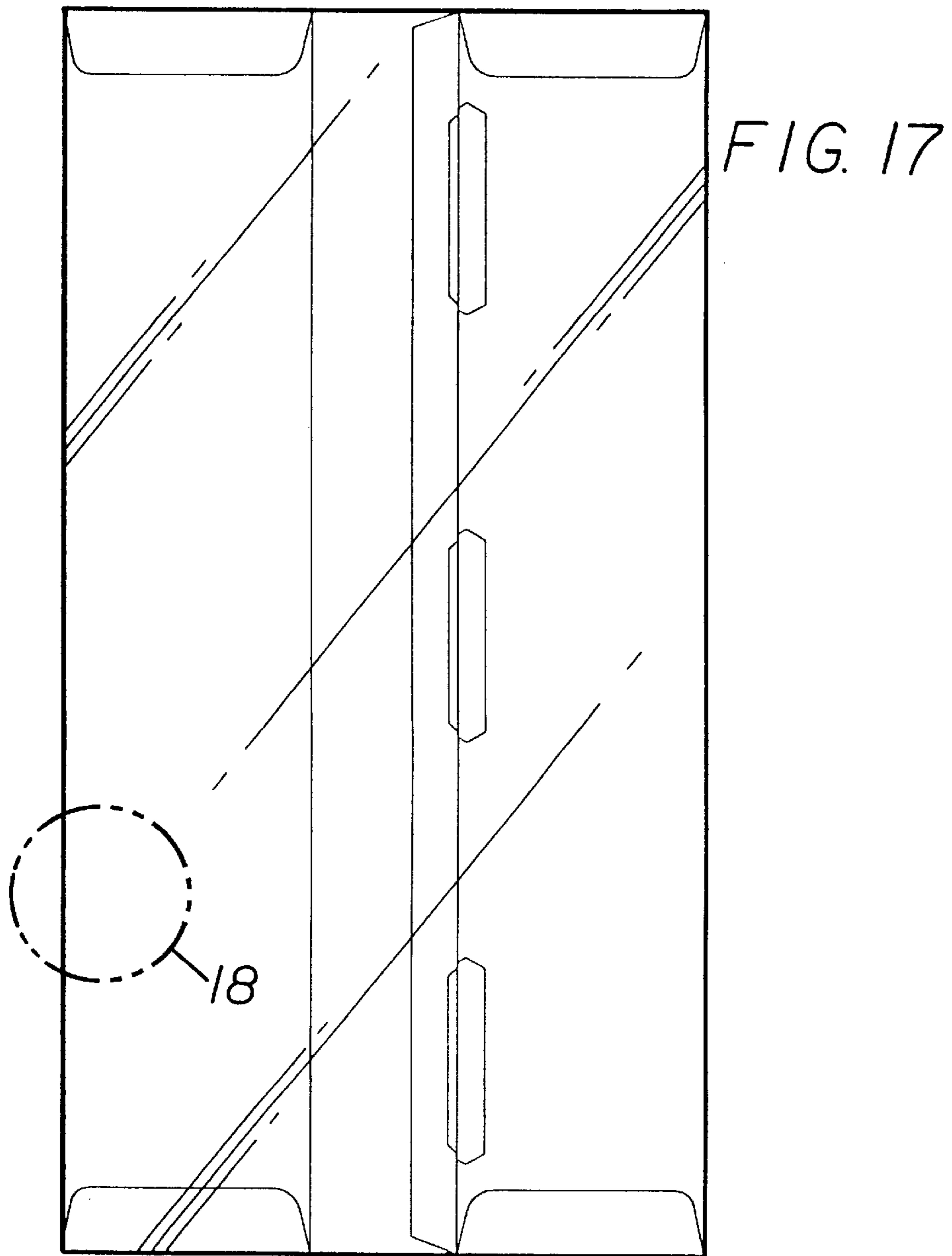


FIG. 8





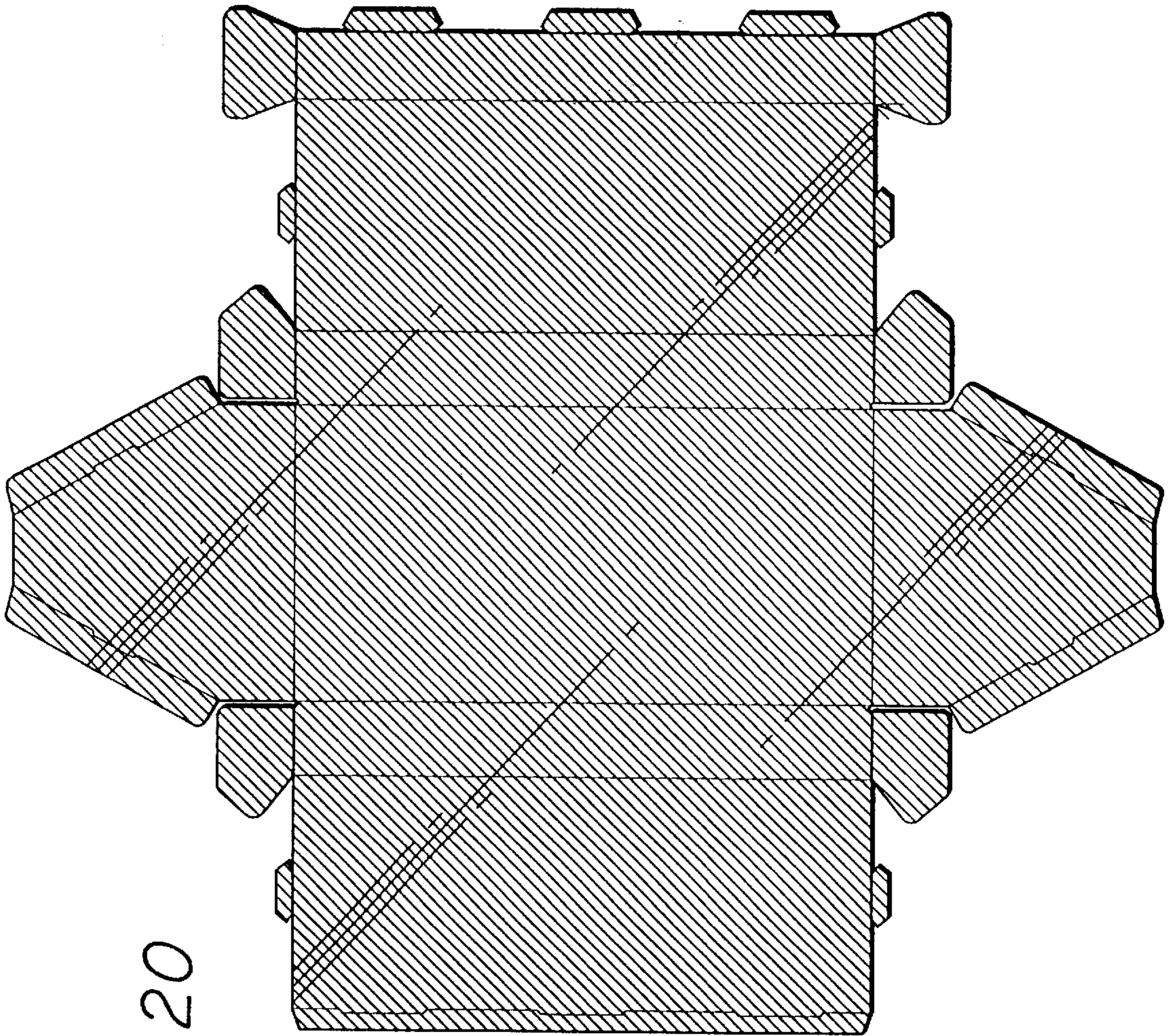


FIG. 20