



US00D444060S

(12) **United States Design Patent**
Elsener, Sr. et al.

(10) **Patent No.:** **US D444,060 S**

(45) **Date of Patent:** **** Jun. 26, 2001**

(54) **TRANSLUCENT TOOL CARD**

6,076,665 * 6/2000 Chuang 206/234

(75) Inventors: **Carl S. Elsener, Sr.**, Ibach-Schwyz
(CH); **Hermann Painsith**, Klagenfurt
(AT)

* cited by examiner

Primary Examiner—Prabhakar Deshmukh
(74) *Attorney, Agent, or Firm*—Pennie & Edmonds LLP

(73) Assignee: **Victorinox AG** (CH)

(57) **CLAIM**

(**) Term: **14 Years**

The ornamental design for a translucent tool card, as shown and described.

(21) Appl. No.: **29/116,451**

DESCRIPTION

(22) Filed: **Jan. 5, 2000**

(51) **LOC (7) Cl.** **09-03**

(52) **U.S. Cl.** **D9/418**

(58) **Field of Search** D9/414, 415, 418,
D9/432, 337, 424; 206/349, 370, 553, 372,
373-379, 775-778, 486, 495, 461, 471,
822; 220/602, 662-665, 376, 377; 229/162

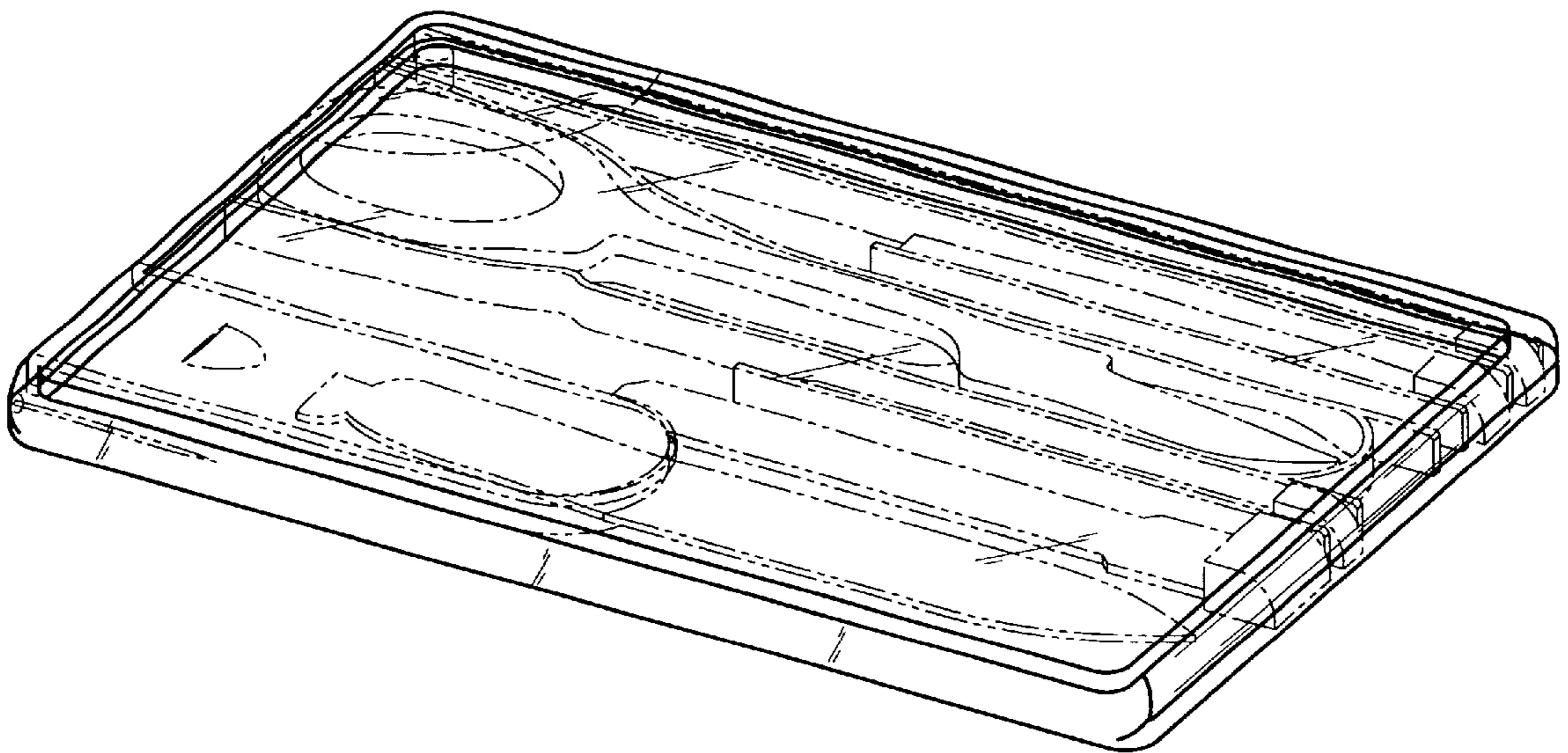
FIG. 1 is a top perspective view from the front of the translucent tool card of the present invention;
FIG. 2 is a top view thereof;
FIG. 3 is a bottom view thereof;
FIG. 4 is a right side view thereof;
FIG. 5 is a left side view thereof;
FIG. 6 is a front end view thereof;
FIG. 7 is a rear end view thereof;
FIG. 8 is a top view of a second embodiment of the translucent tool card of the present invention;
FIG. 9 is a bottom view thereof;
FIG. 10 is a left side view thereof;
FIG. 11 is rear end view thereof, all other views thereof being identical to FIGS. 4, and 6;
FIG. 12 is a top view of a third embodiment of the translucent tool card of the present invention; and,
FIG. 13 is a left side view thereof, all other views thereof being identical to FIGS. 3, 4, 6, and 7.
The broken lines are for illustrative purpose only and forms no part of the claimed design.

(56) **References Cited**

U.S. PATENT DOCUMENTS

D. 305,478	*	1/1990	Lahm et al.	D9/418
D. 314,335	*	2/1991	Newell et al.	D9/418
D. 342,892	*	1/1994	Teerds	D9/418
3,029,969	*	4/1962	Buchel	206/553
4,691,456	*	9/1987	Ackeret	206/776
5,147,038	*	9/1992	Pergeau	206/373
5,562,208	*	10/1996	Hasler et al.	206/373
5,813,531	*	9/1998	Kao	206/373

1 Claim, 6 Drawing Sheets



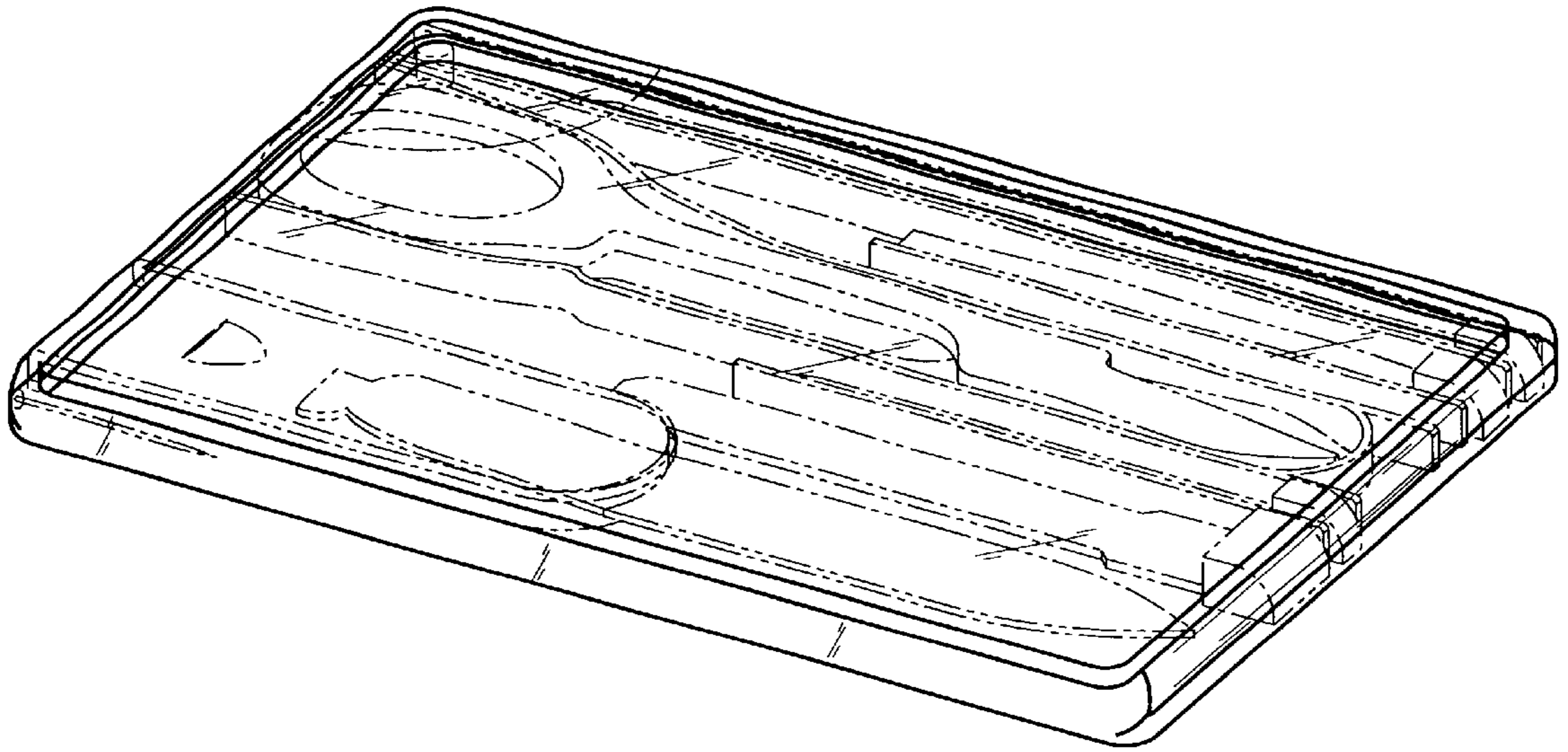


Fig. 1

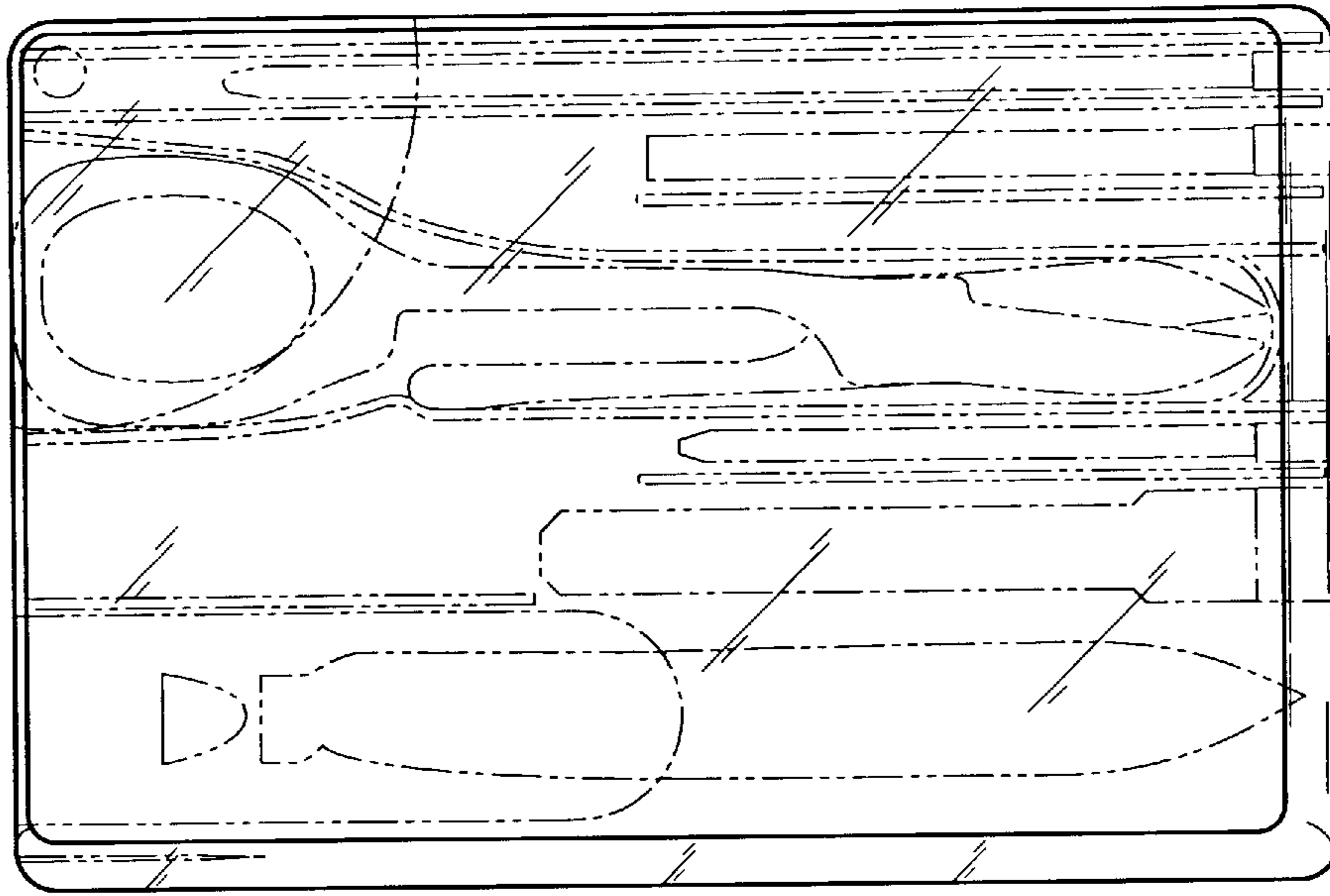


Fig. 2

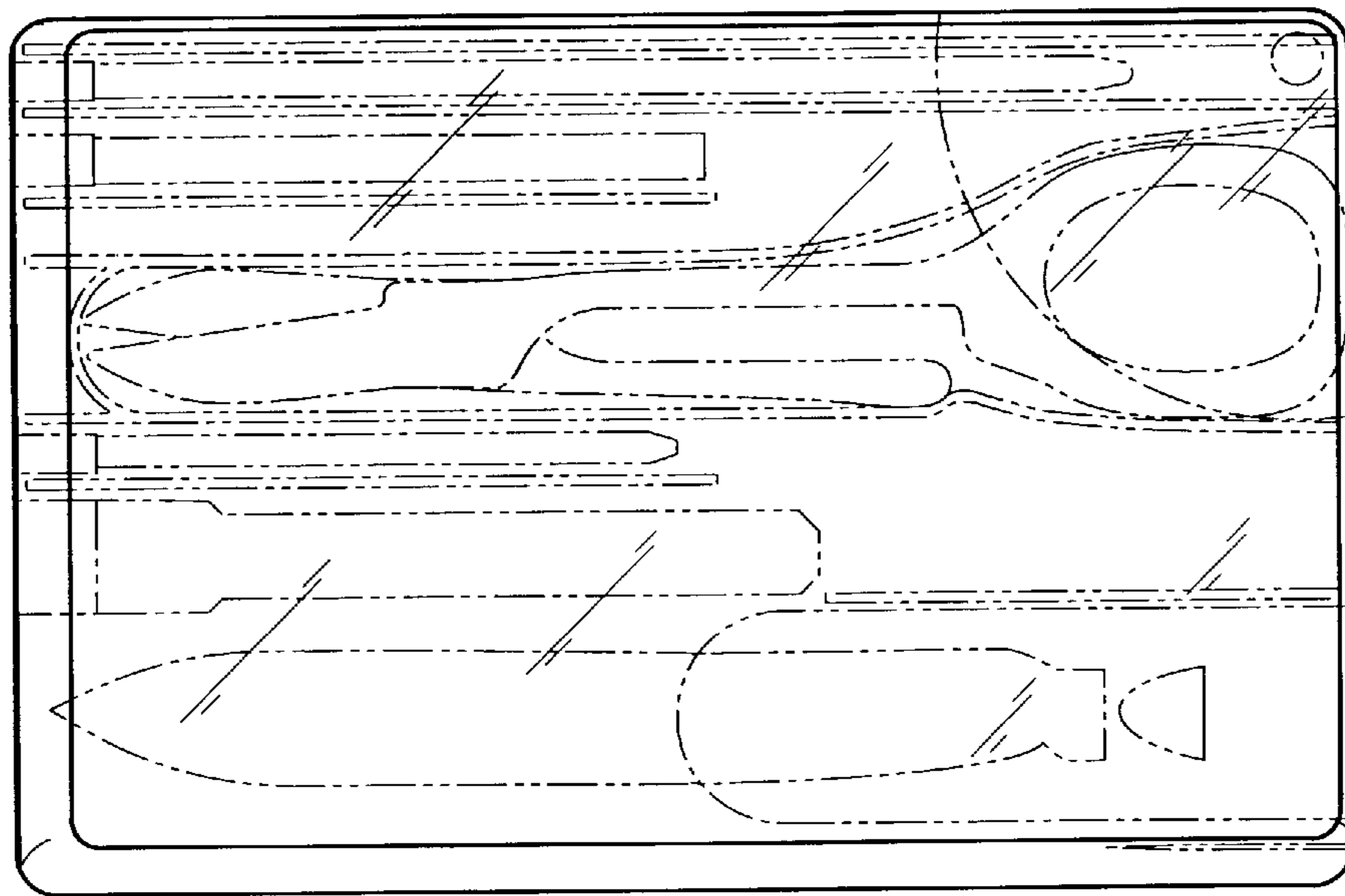


Fig. 3



Fig. 4



Fig. 5

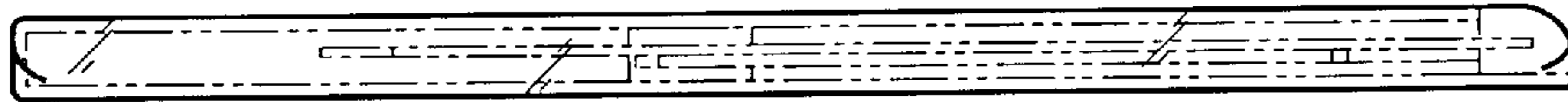


Fig. 6

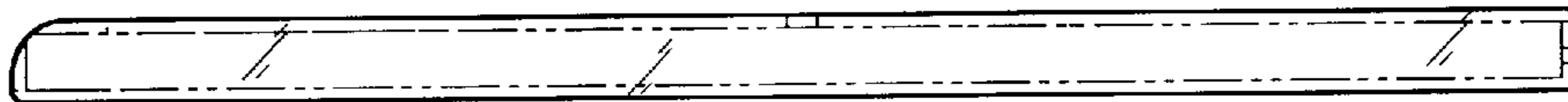


Fig. 7

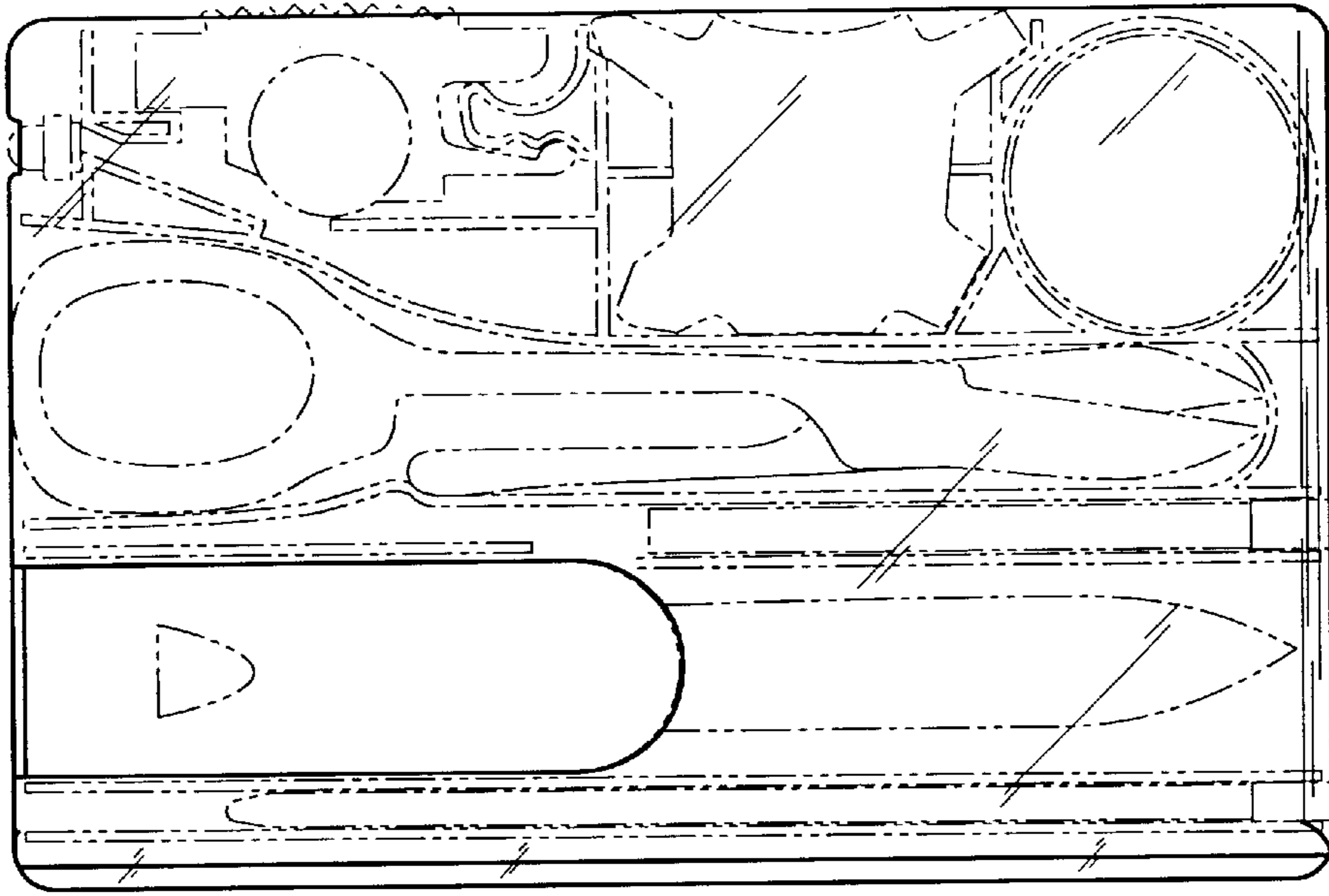


Fig. 8

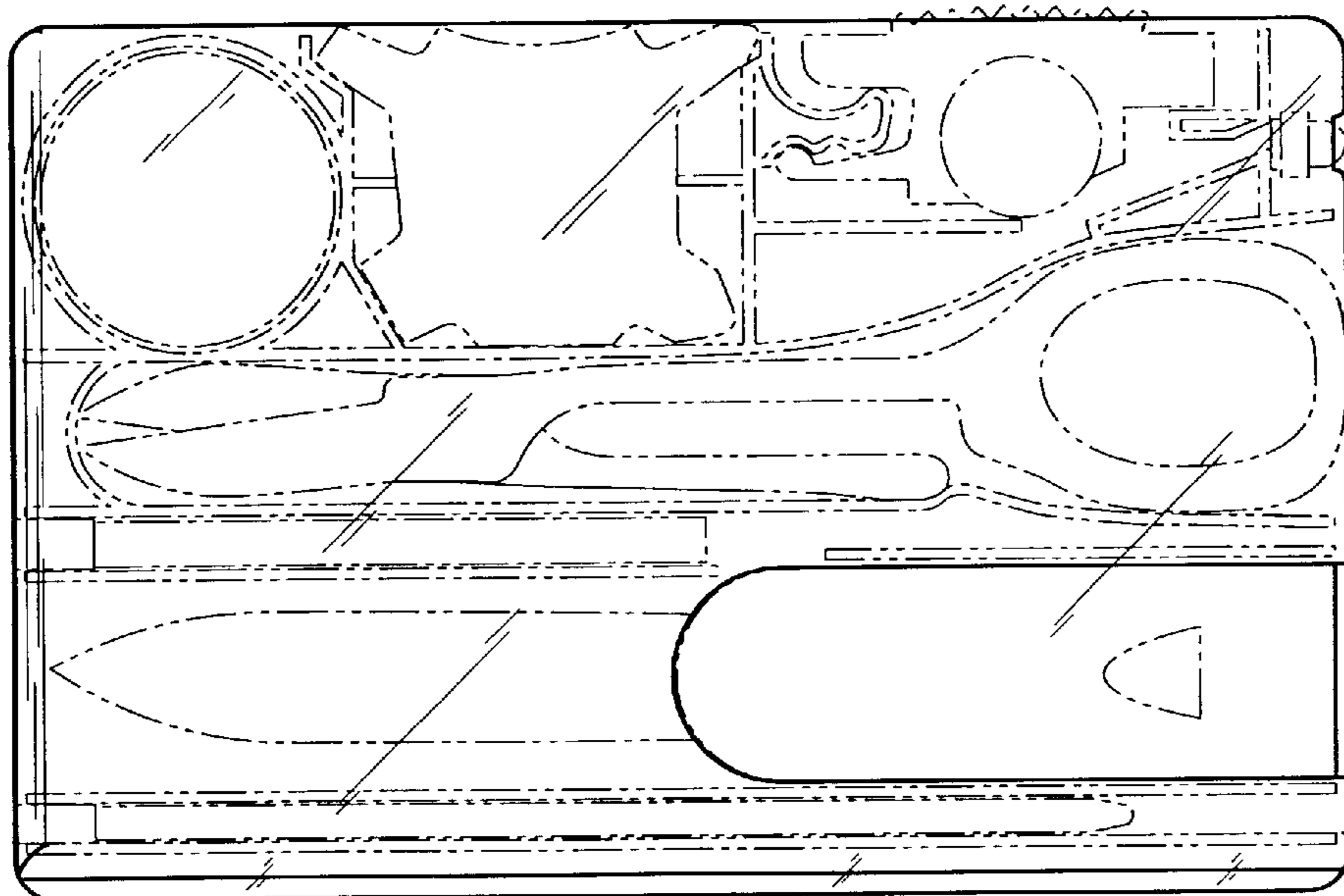


Fig. 9

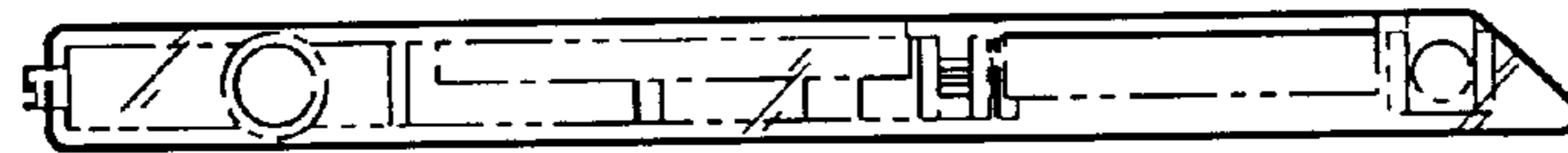


Fig. 10

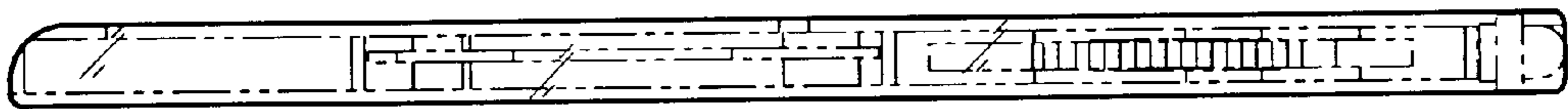


Fig. 11

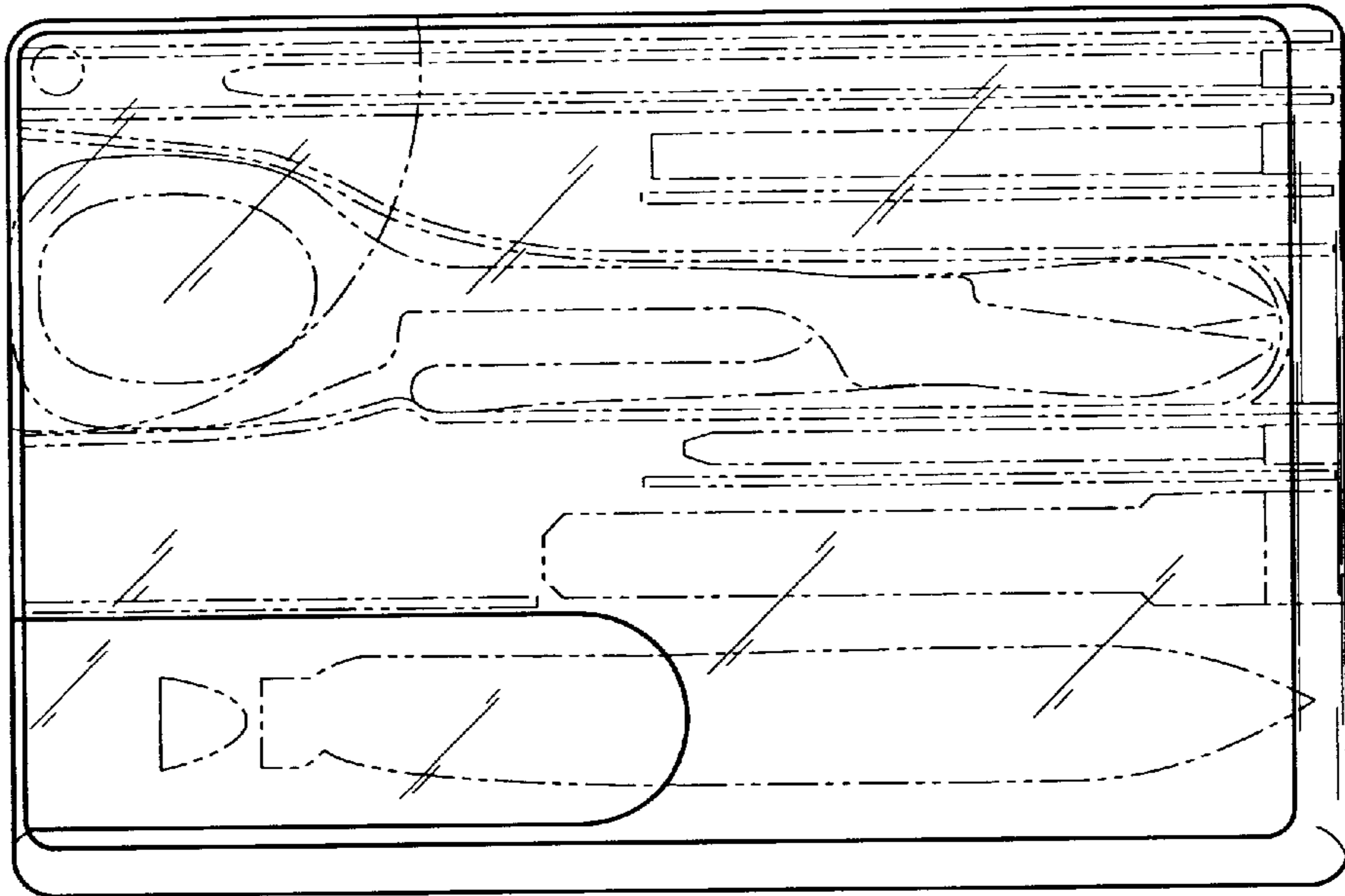


Fig. 12



Fig. 13