



US00D444056S

(12) **United States Design Patent**
Lo

(10) **Patent No.:** **US D444,056 S**

(45) **Date of Patent:** **** Jun. 26, 2001**

(54) **BLISTER PACKAGE DISPENSER**

5,775,536 * 7/1998 Lambelet, Jr. et al. 206/531
6,021,901 * 2/2000 Wolfe 206/531

(75) Inventor: **Julian B. Lo**, Old Lyme, CT (US)

* cited by examiner

(73) Assignee: **Pfizer Inc.**, New York, NY (US)

Primary Examiner—Raphael Barkai
(74) *Attorney, Agent, or Firm*—Peter C. Richardson; Gregg C. Benson; Carl J. Goddard

(**) Term: **14 Years**

(21) Appl. No.: **29/117,364**

(57) **CLAIM**

(22) Filed: **Jan. 21, 2000**

The ornamental design for a blister package dispenser, as shown and described.

(51) **LOC (7) Cl.** **09-03**

(52) **U.S. Cl.** **D9/341**

(58) **Field of Search** D9/341; 206/531,
206/564, 562, 563, 530, 533, 534

DESCRIPTION

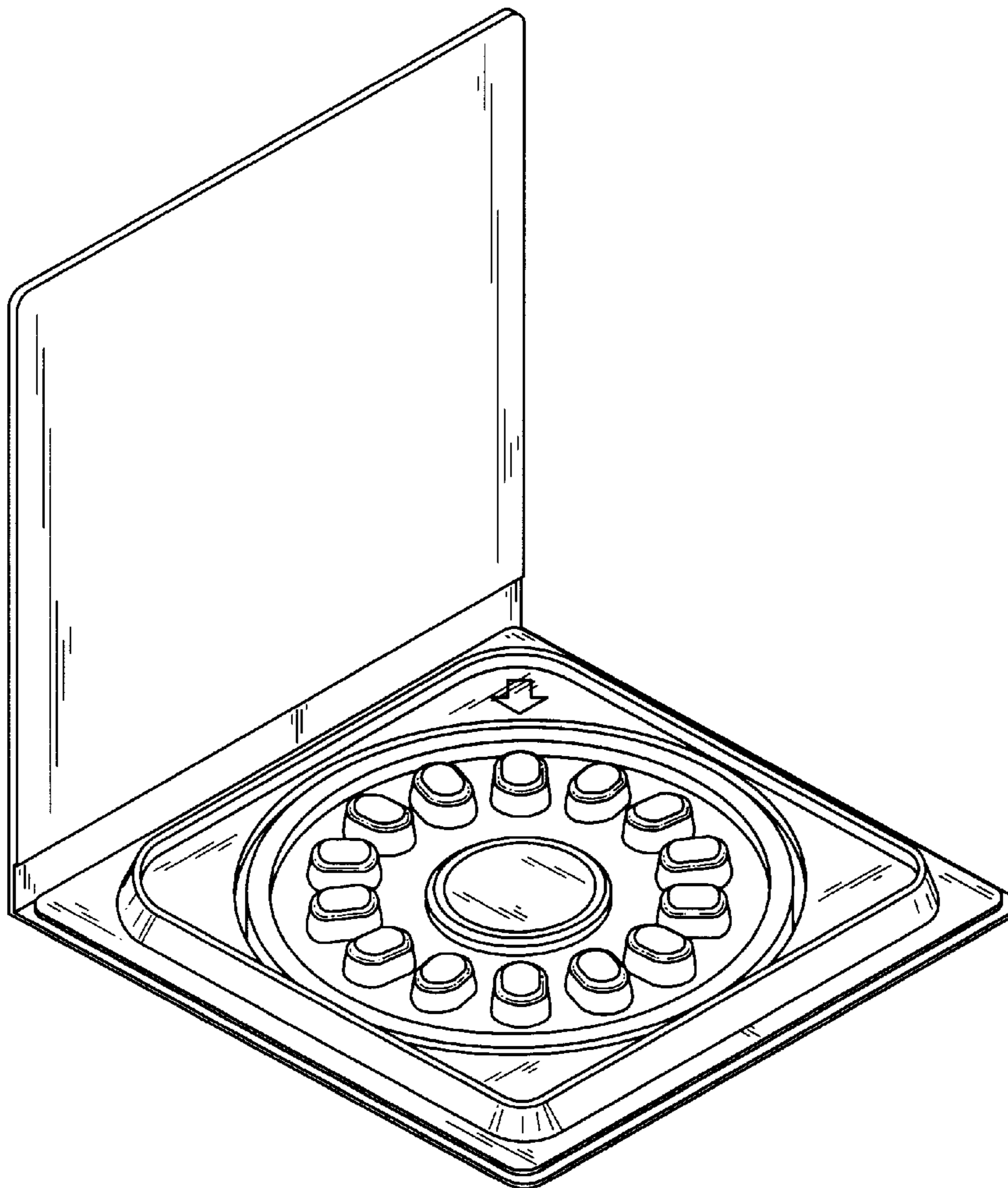
FIG. 1 is a top side perspective view of a blister package dispenser showing my new design;
FIG. 2 is a bottom, left side perspective view of the blister package dispenser shown in FIG. 1; and,
FIG. 3 is a further bottom side perspective view of the blister package dispenser of FIG. 2.

(56) **References Cited**

U.S. PATENT DOCUMENTS

- D. 380,378 * 7/1997 Wood D9/341
- D. 382,474 * 8/1997 Malmberg D9/341
- 4,015,717 * 4/1977 Richardson et al. 206/531

1 Claim, 2 Drawing Sheets



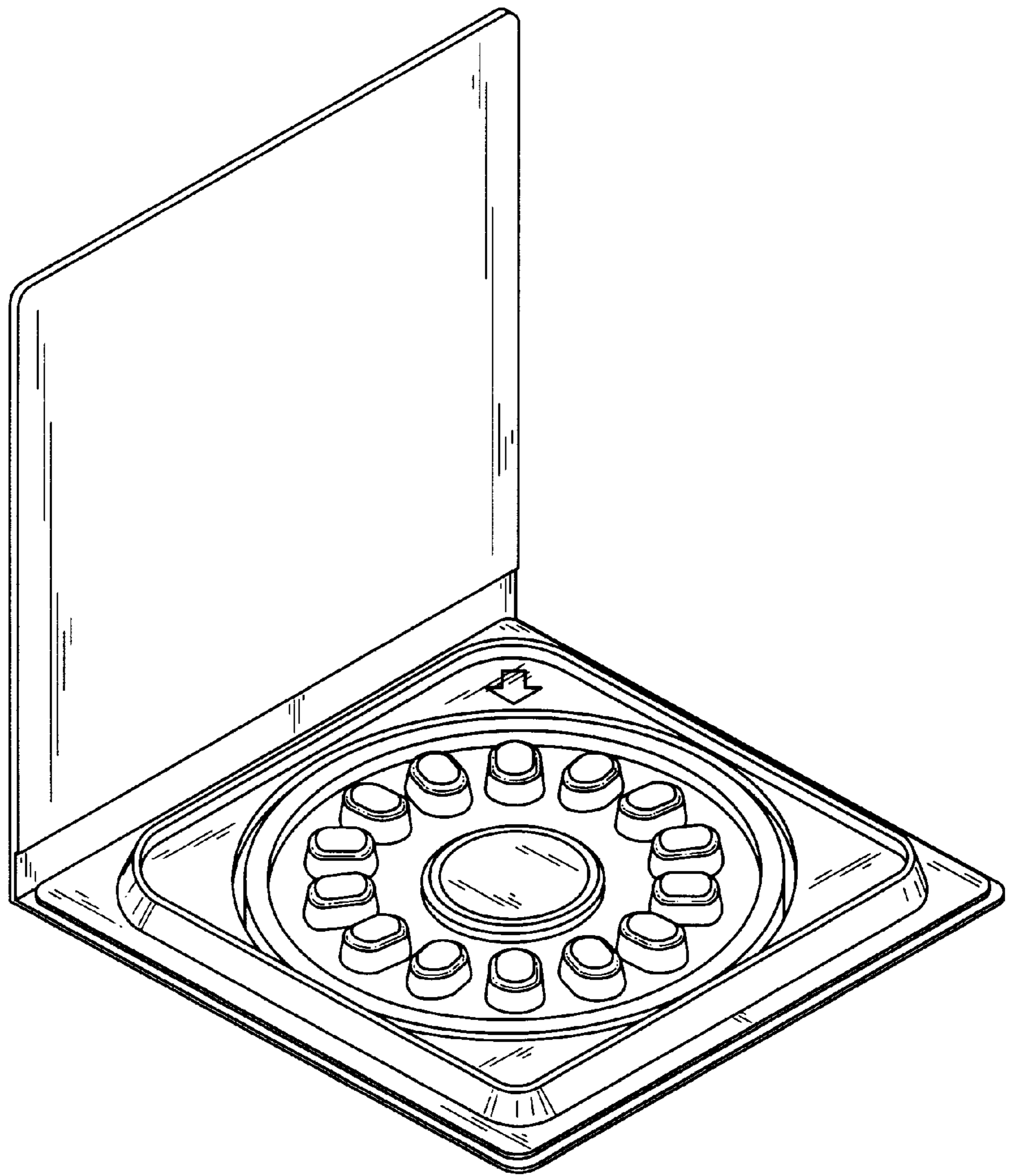


FIG. 1

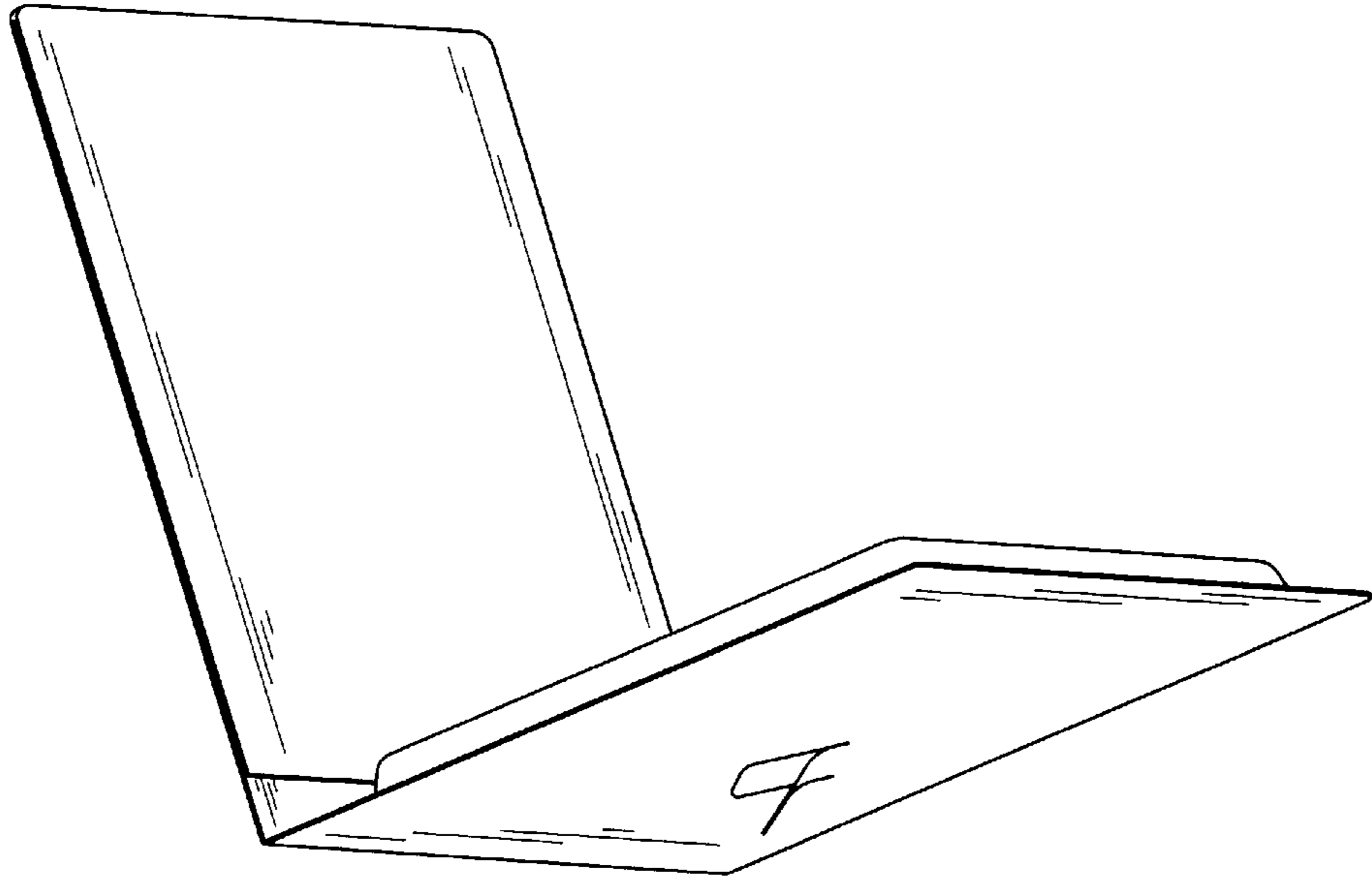


FIG. 2

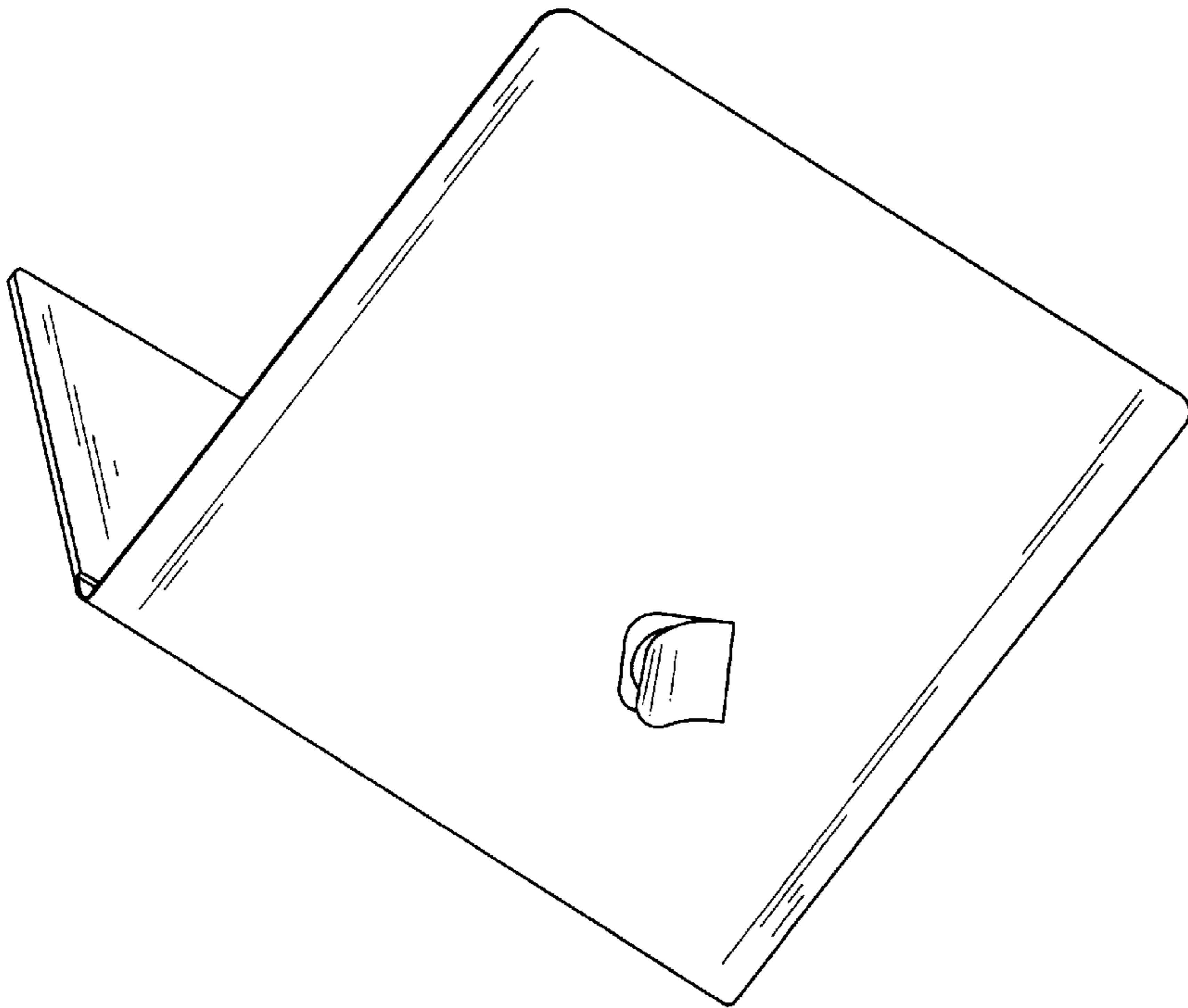


FIG. 3