



US00D444054S

(12) **United States Design Patent**
Bernard et al.

(10) **Patent No.:** **US D444,054 S**

(45) **Date of Patent:** **** Jun. 26, 2001**

(54) **LOW PROFILE CABLE TIE**

(75) Inventors: **William A. Bernard**, Darien; **Robert J. Krisel**, Oak Forest, both of IL (US)

(73) Assignee: **Panduit Corp.**, Tinley Park, IL (US)

(**) Term: **14 Years**

(21) Appl. No.: **29/123,011**

(22) Filed: **May 8, 2000**

(51) **LOC (7) Cl.** **08-08**

(52) **U.S. Cl.** **D8/396; D8/394**

(58) **Field of Search** **D8/383, 356, 394, D8/396; D9/434; 24/16 PB, 30.5 P, 30.5 W, 30.5 S, 17 AP**

(56) **References Cited**

U.S. PATENT DOCUMENTS

- D. 224,960 * 10/1972 Wilson .
- D. 273,361 * 4/1984 Suzuki .
- D. 419,861 * 2/2000 Khokhar .
- 3,887,965 * 6/1975 Schuplin 24/16 PB
- 3,967,345 * 7/1976 Sumimoto 24/16 PB
- 4,236,280 * 12/1980 Kreiseder 24/16 PB
- 5,414,904 * 5/1995 Sampson 24/16 PB

* cited by examiner

Primary Examiner—B. J. Bullock

(74) *Attorney, Agent, or Firm*—Robert A. McCann

(57) **CLAIM**

The ornamental design for a low profile cable tie, as shown and described.

DESCRIPTION

FIG. 1 is a top left perspective view of a low profile cable tie;

FIG. 2 is a top right perspective view of the low profile cable tie of FIG. 1;

FIG. 3 is a bottom right perspective view of the low profile cable tie of FIG. 1;

FIG. 4 is a left side view of the low profile cable tie of FIG. 1;

FIG. 5 is a right side view of the low profile cable tie of FIG. 1;

FIG. 6 is a front view of the low profile cable tie of FIG. 1;

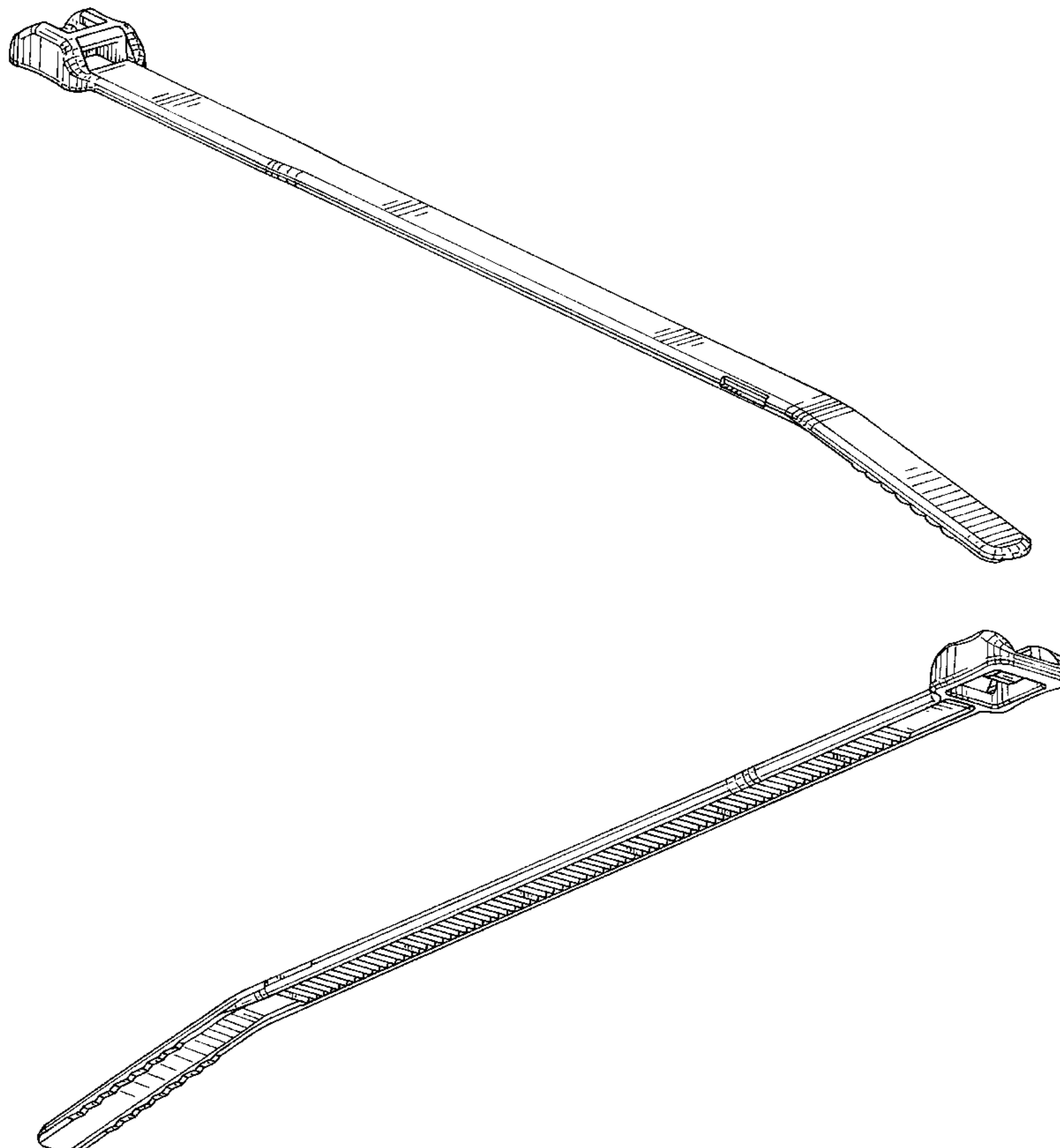
FIG. 7 is a rear view of the low profile cable tie of FIG. 1;

FIG. 8 is a top view of the low profile cable tie of FIG. 1;

FIG. 9 is a bottom view of the low profile cable tie of FIG. 1; and,

FIG. 10 is a perspective view of the low profile cable tie of FIG. 1 shown surrounding a bundle of wires which are shown in broken lines for illustrative purposes only and form no part of the claimed design.

1 Claim, 4 Drawing Sheets



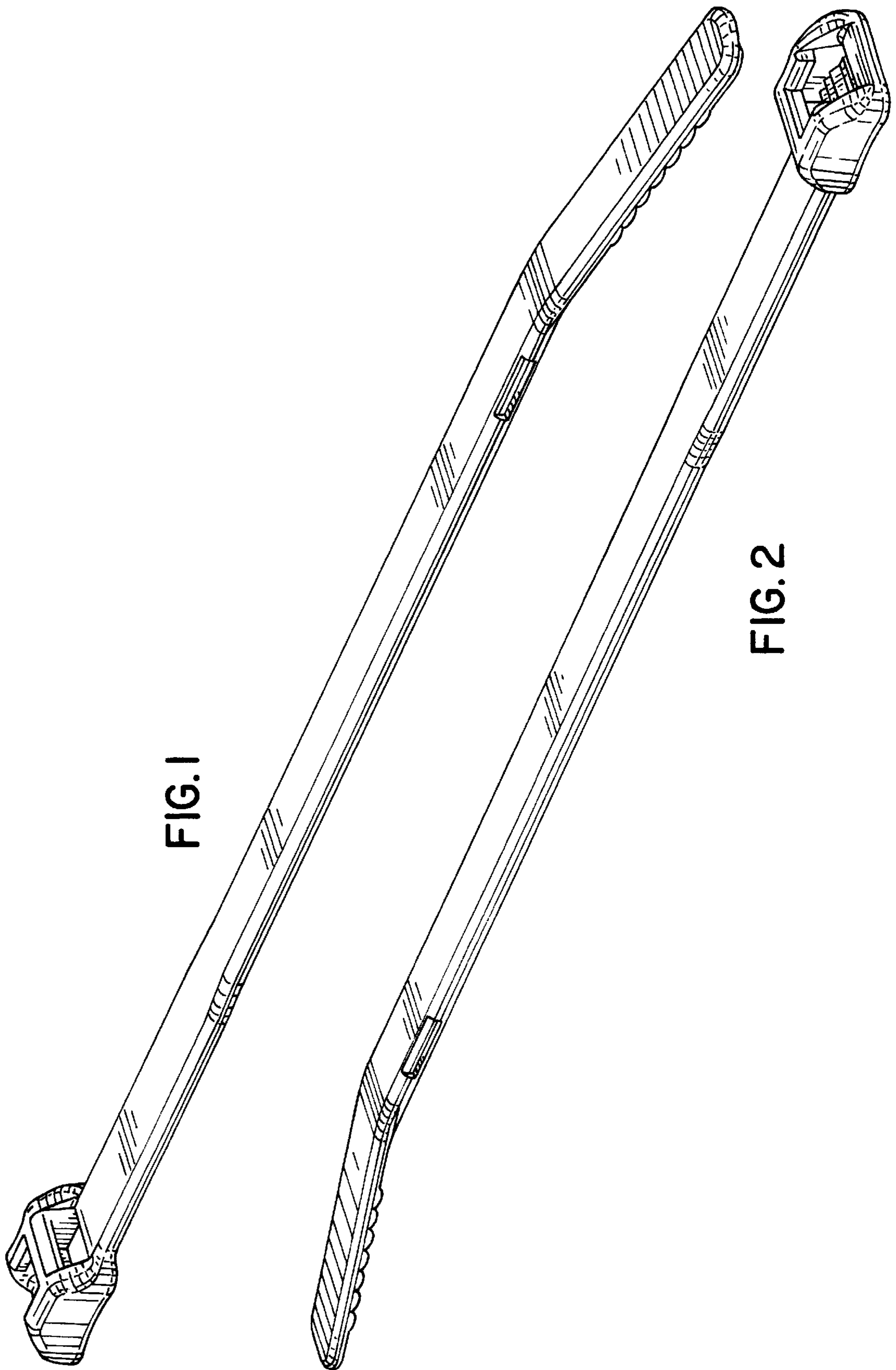
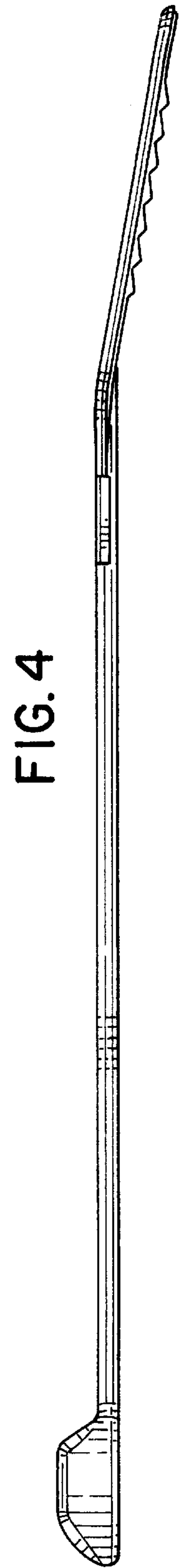
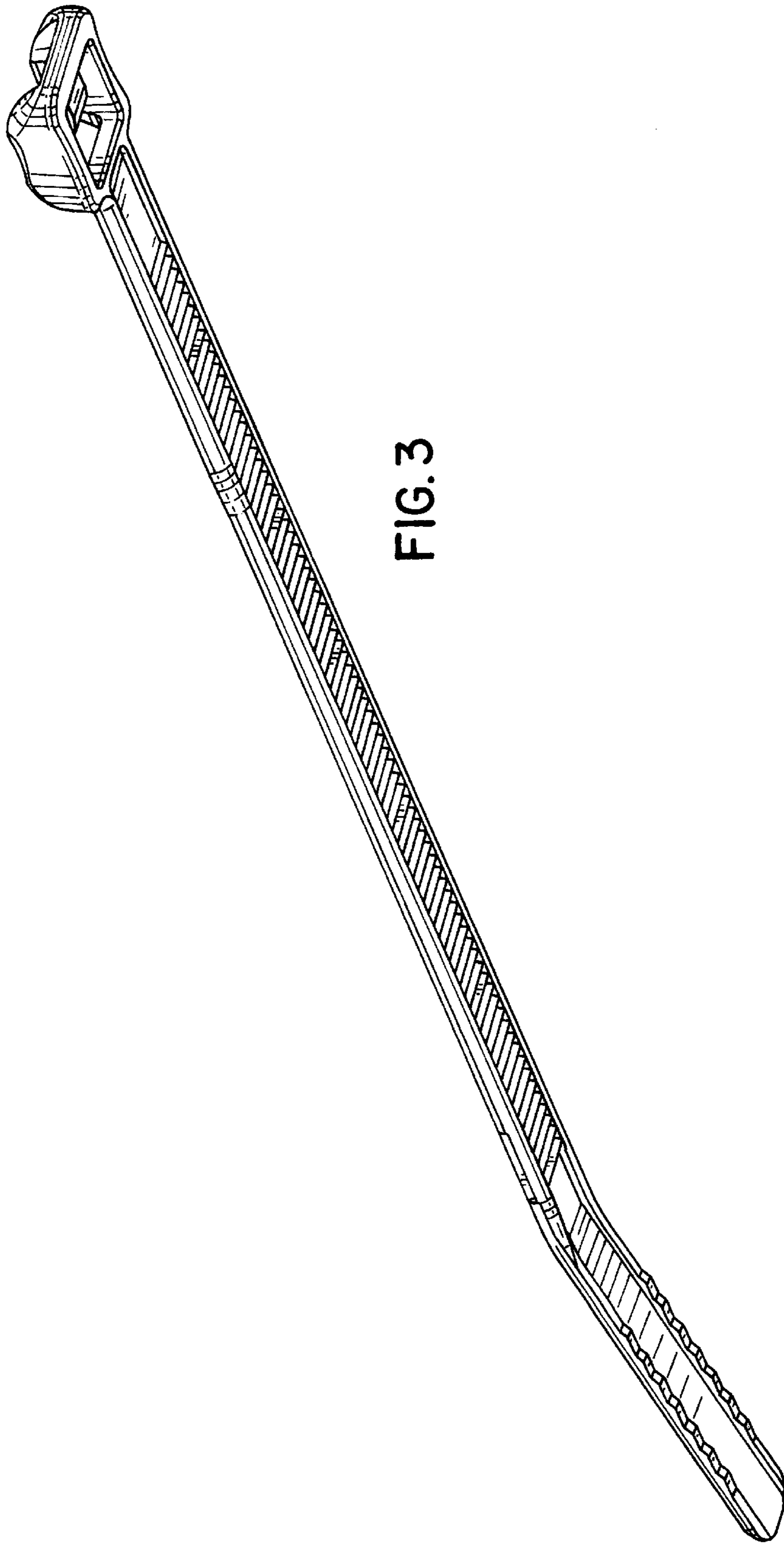


FIG. 1

FIG. 2



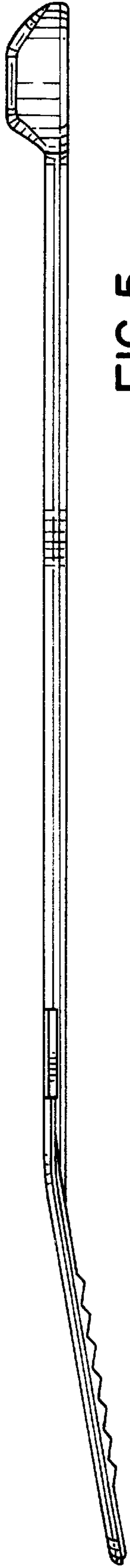


FIG. 5

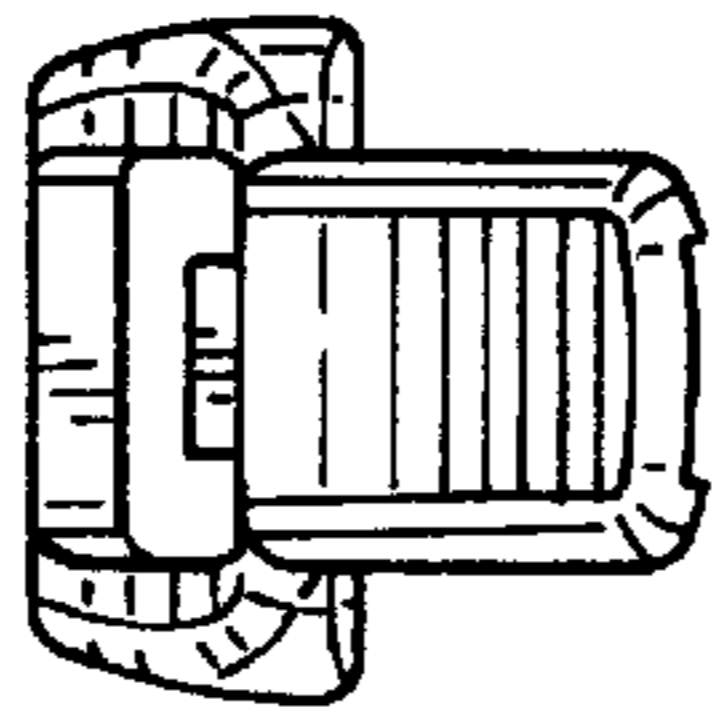


FIG. 7

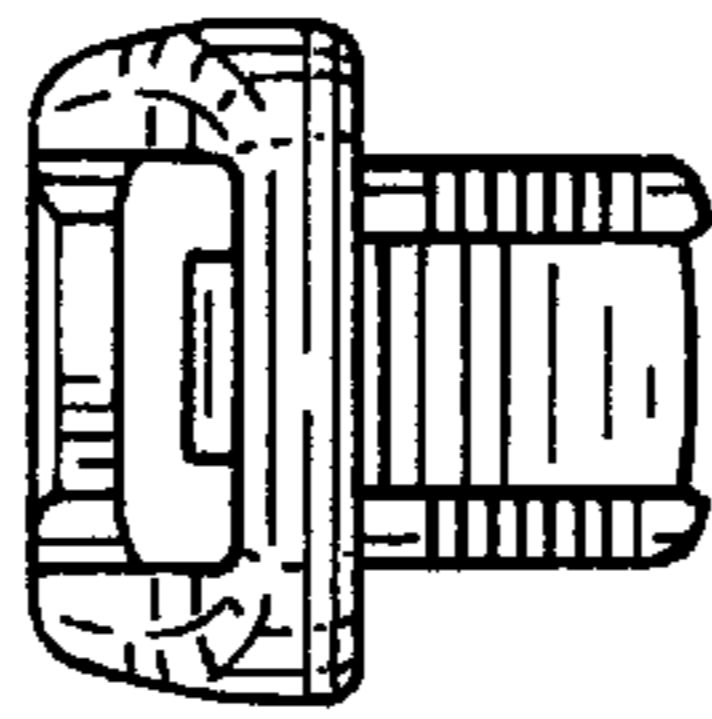


FIG. 6

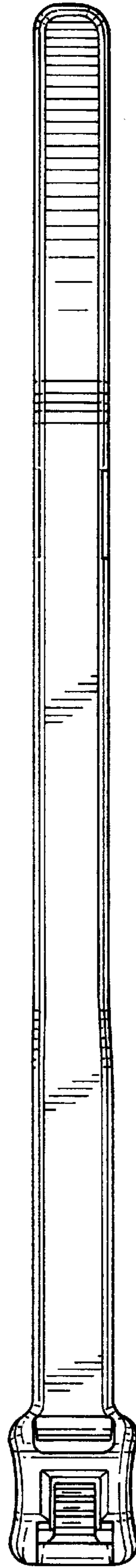


FIG. 8

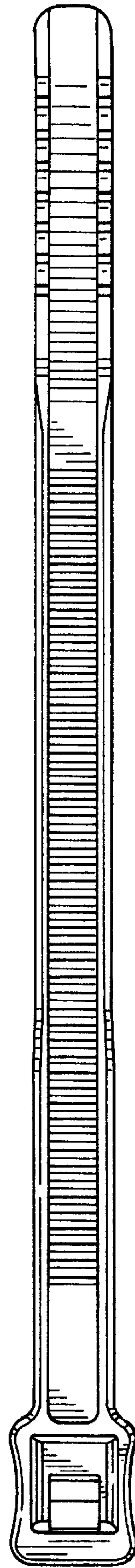


FIG. 9

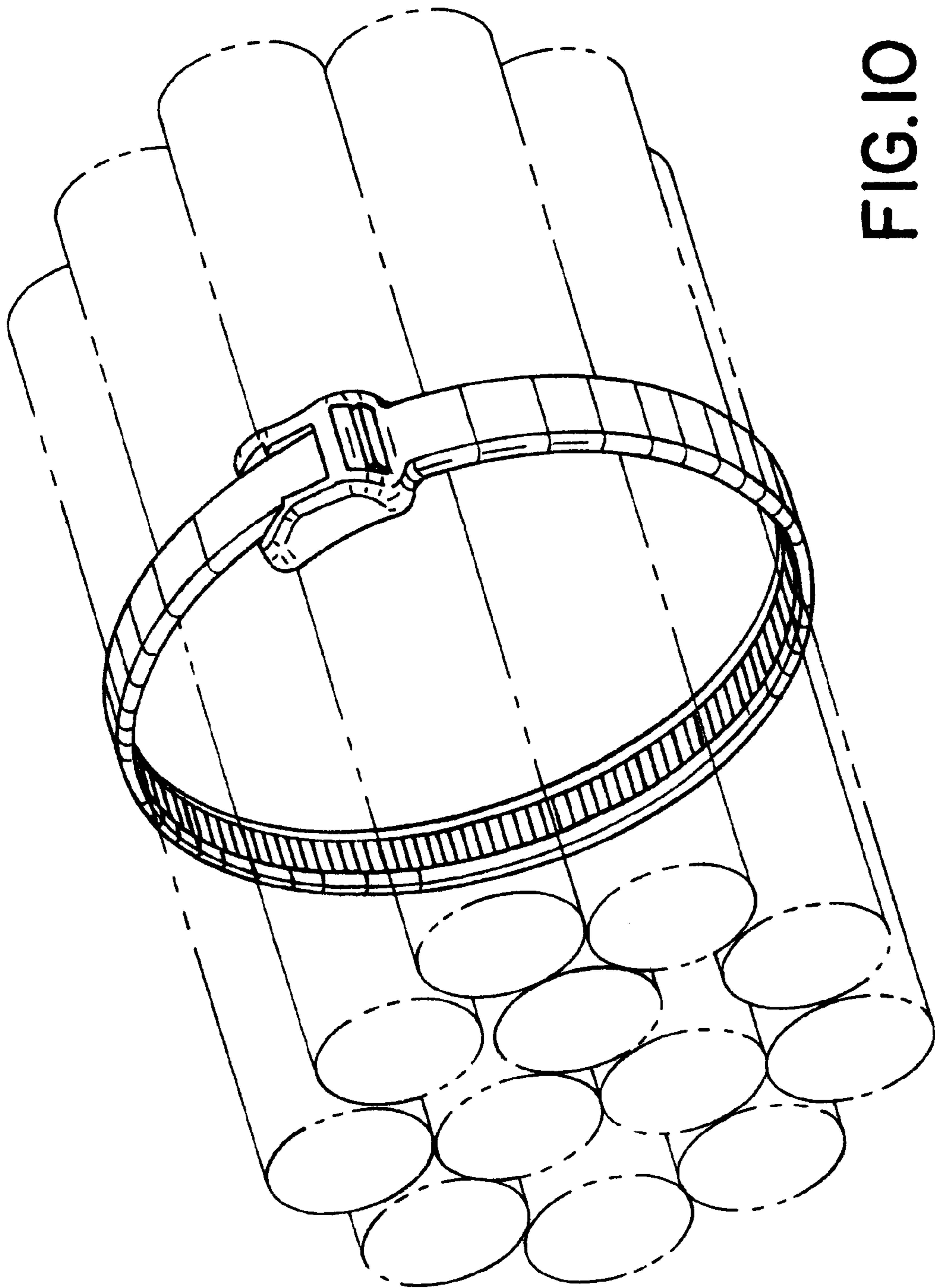


FIG.10