



US00D444052S

(12) **United States Design Patent**  
**Catlett**

(10) **Patent No.: US D444,052 S**

(45) **Date of Patent: \*\* \*Jun. 26, 2001**

- (54) **LATCHING S HOOK**
- (75) Inventor: **Timothy J. Catlett**, Maryville, MO (US)
- (73) Assignee: **Laclede Chain Manufacturing Company**, St. Louis, MO (US)
- (\*) Notice: This patent is subject to a terminal disclaimer.
- (\*\*) Term: **14 Years**
- (21) Appl. No.: **29/089,838**
- (22) Filed: **Jun. 24, 1998**
- (51) **LOC (7) Cl. .... 08-05**
- (52) **U.S. Cl. .... D8/367**
- (58) **Field of Search ..... D8/382, 367; 24/599.4, 24/599.5, 598.4; 294/82.19, 82.2, 82.21**

- 4,546,523 10/1985 Bailey, Jr. .
- 4,955,651 9/1990 Barber .
- 5,020,843 6/1991 Lucas .
- 5,257,441 11/1993 Barlow .
- 5,579,564 12/1996 Rullo et al. .
- 5,664,304 9/1997 Tambornino .
- 5,694,668 12/1997 Rohlf .

**OTHER PUBLICATIONS**

Yoke Catalog, p. 3, S-hook, item ART. S-745 located in middle of page, Aug. 1995.\*

\* cited by examiner

*Primary Examiner*—Holly Baynham  
(74) *Attorney, Agent, or Firm*—Blackwell Sanders Peper Martin

(57) **CLAIM**

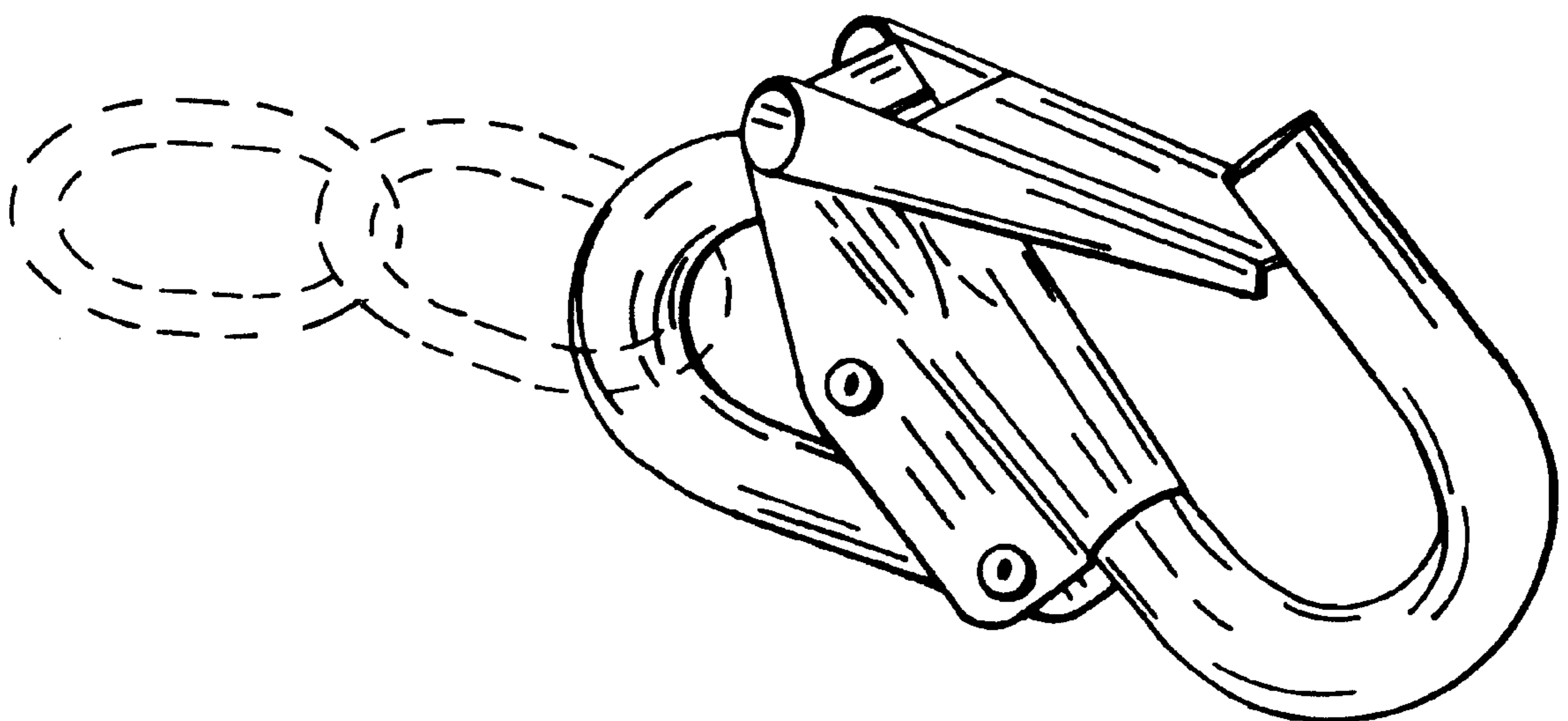
The ornamental design for a latching S hook, as shown and described.

**DESCRIPTION**

FIG. 1 is a perspective view of a latching S hook, showing my new design;  
 FIG. 2 is a perspective view of the design of FIG. 1, from the opposite direction;  
 FIG. 3 is a side elevational view thereof, the opposite side being a mirror image thereof;  
 FIG. 4 is a top elevational view thereof;  
 FIG. 5 is a bottom elevational view thereof;  
 FIG. 6 is a front end elevational view thereof; and,  
 FIG. 7 is a back end elevational view thereof.  
 Throughout the drawings, broken lines are for purposes of illustration only and form no part of the claimed design.

**1 Claim, 5 Drawing Sheets**

- (56) **References Cited**
- U.S. PATENT DOCUMENTS**
- D. 26,356 \* 12/1896 Smith ..... D8/382
- D. 33,410 10/1900 Covert .
- 646,519 4/1900 Covert .
- 959,744 5/1910 Hubbard .
- 1,240,810 9/1917 Baxter .
- 1,256,101 2/1918 Baxter .
- 1,879,168 9/1932 Freysinger .
- 3,797,229 3/1974 Rueff et al. .
- 3,831,229 8/1974 Craven .
- 3,968,988 7/1976 Carfagno .
- 4,013,314 3/1977 Archer .
- 4,122,585 10/1978 Sharp et al. .
- 4,440,432 4/1984 Goris .



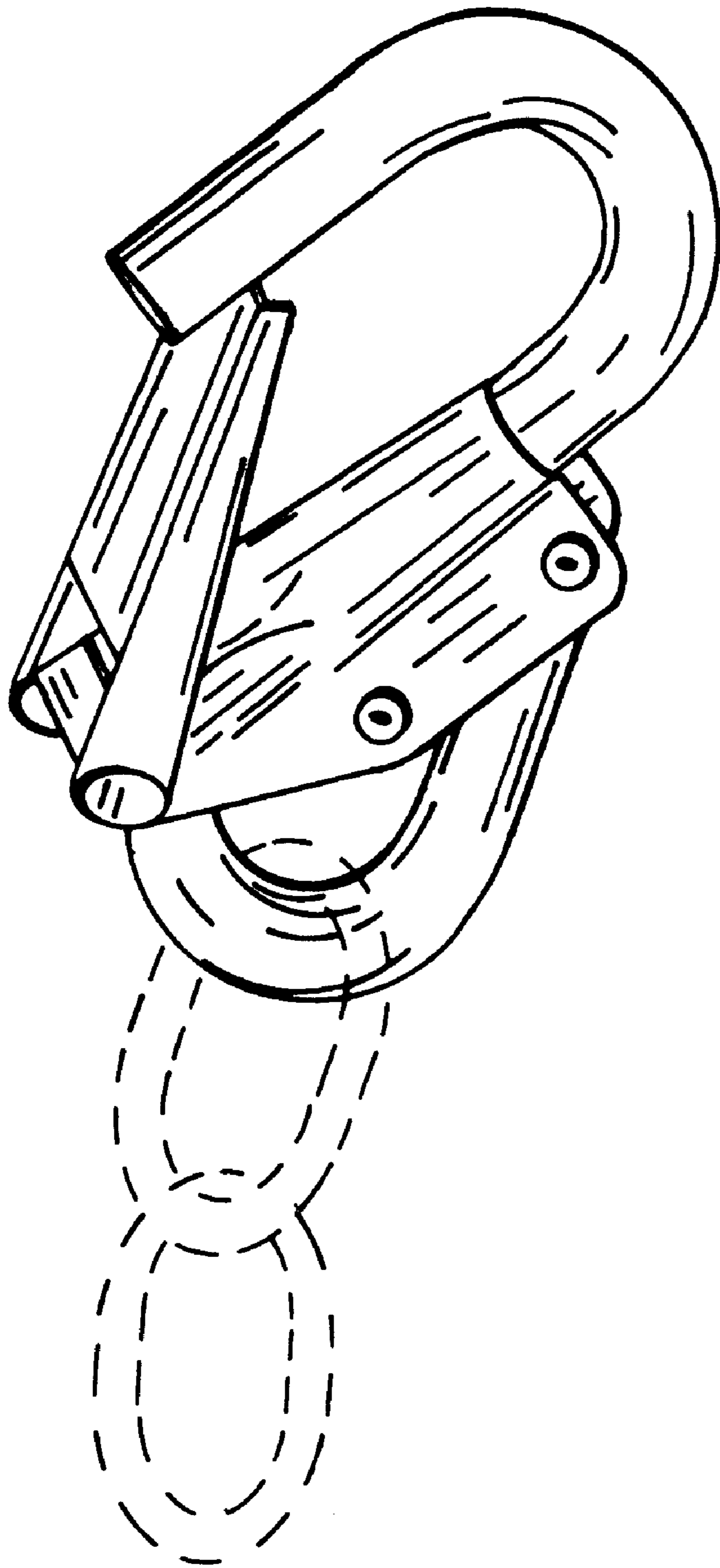


FIG. 1

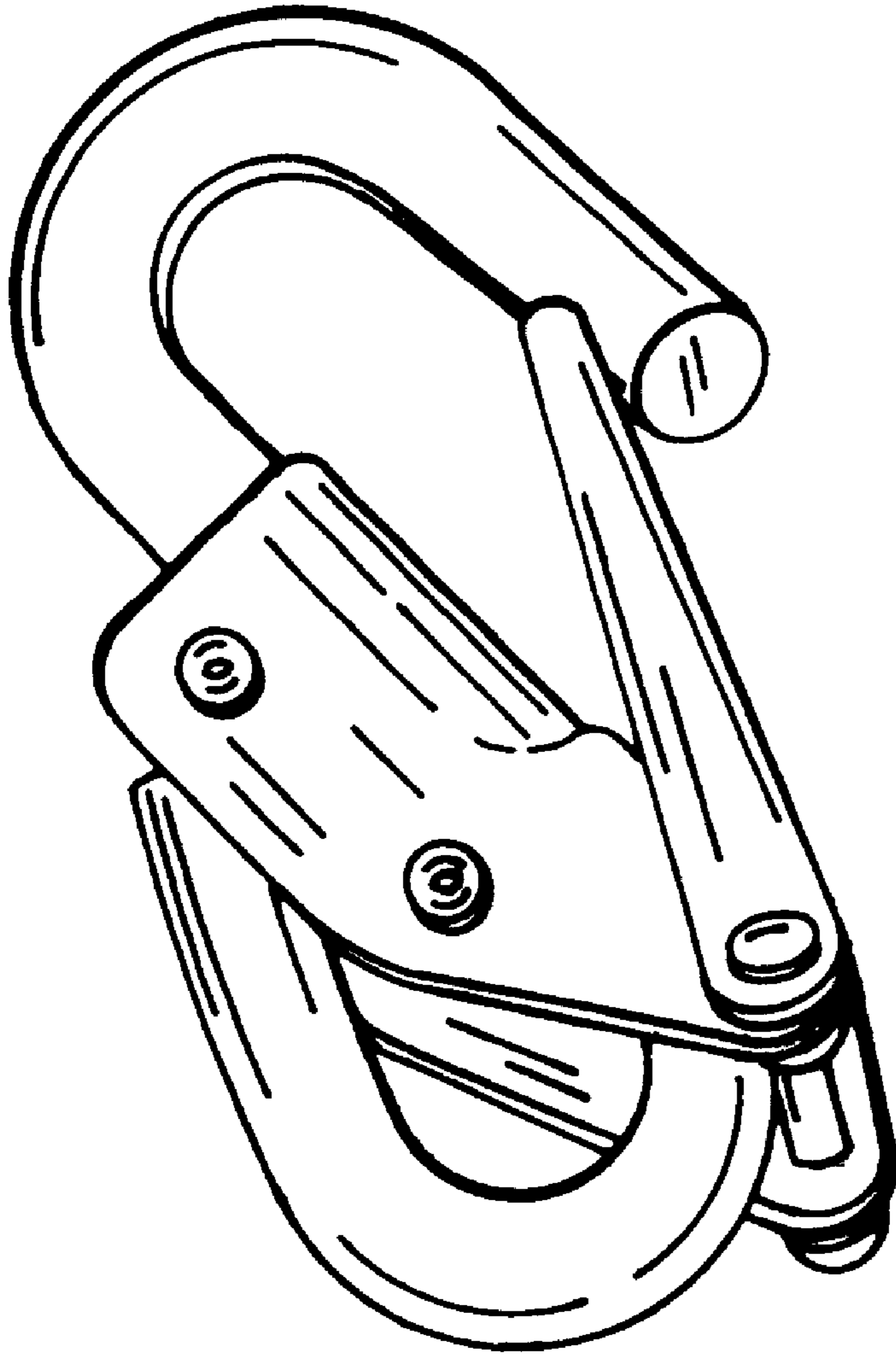


FIG. 2

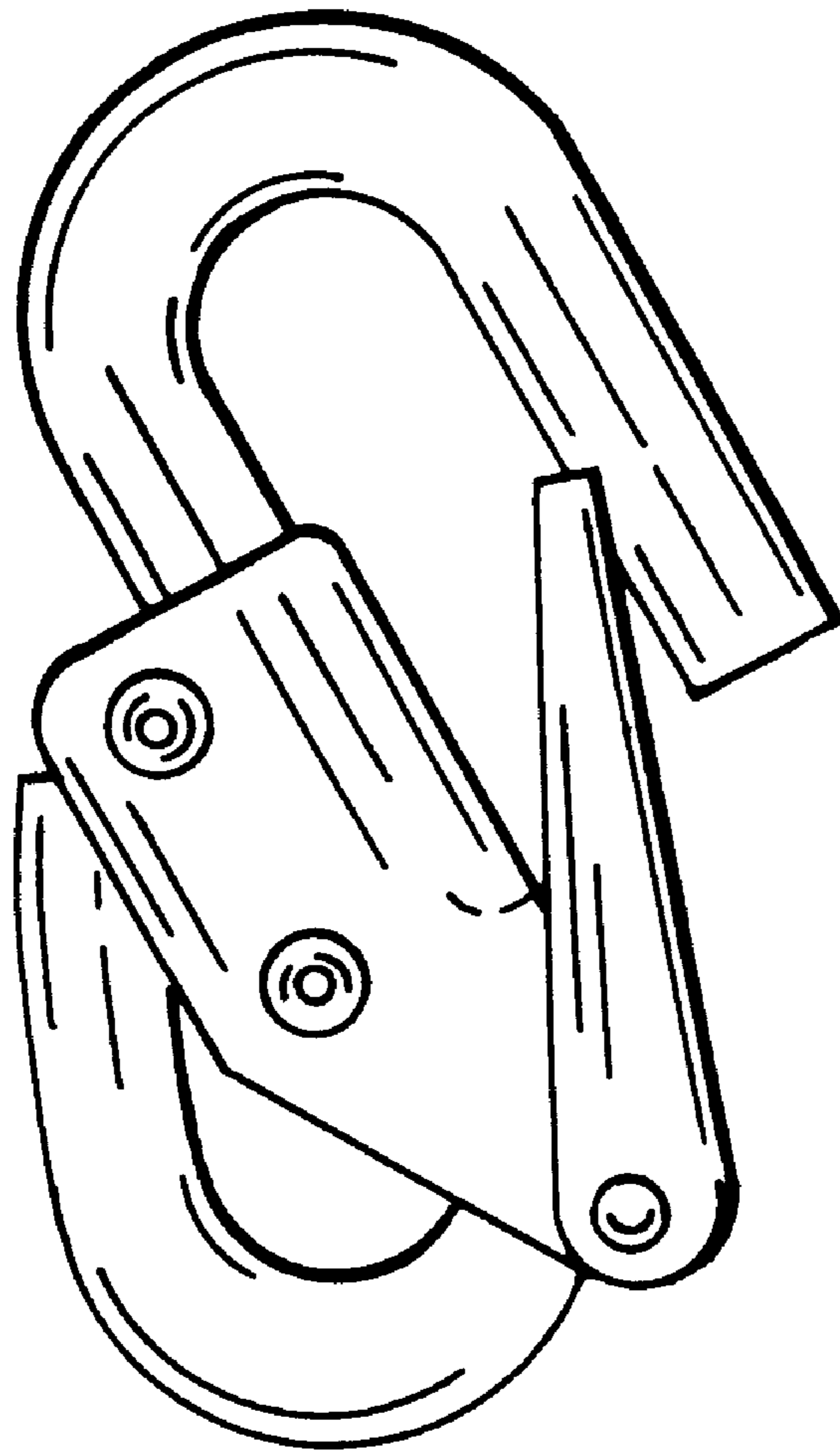


FIG. 3

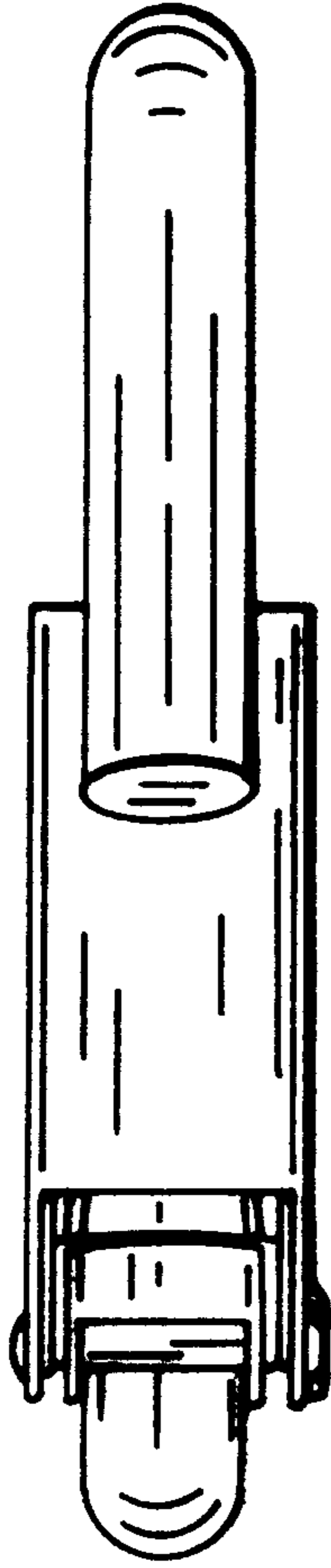


FIG. 4

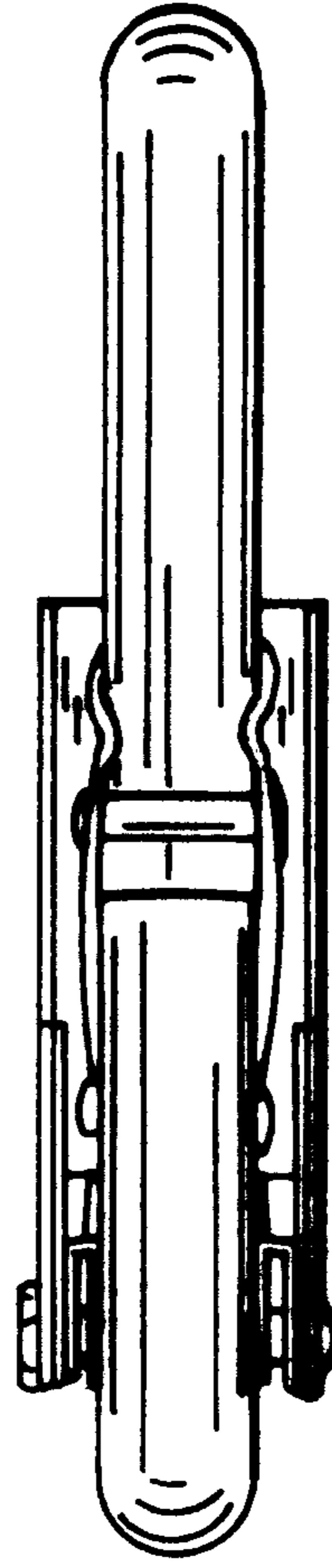


FIG. 5

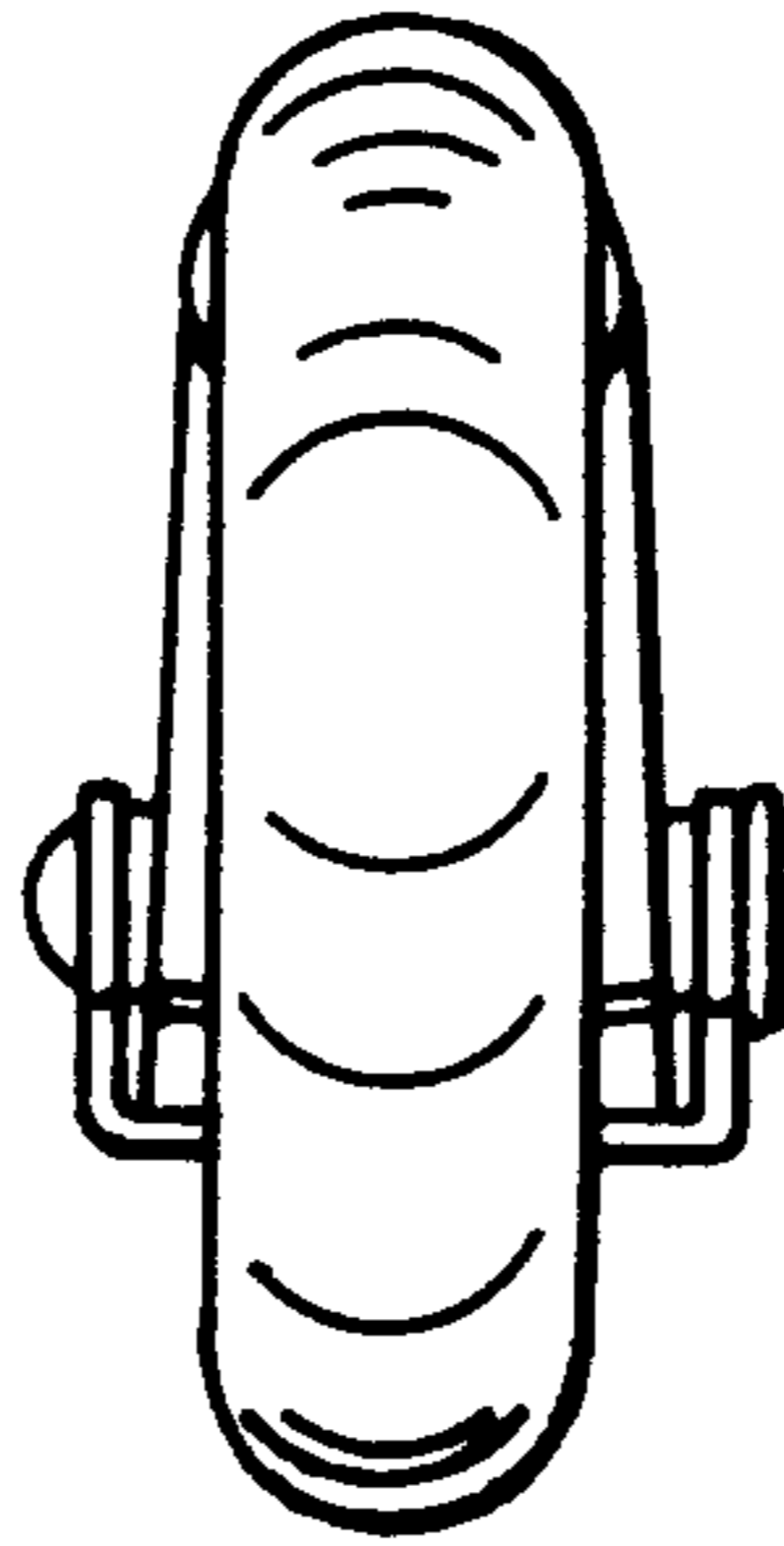


FIG. 6

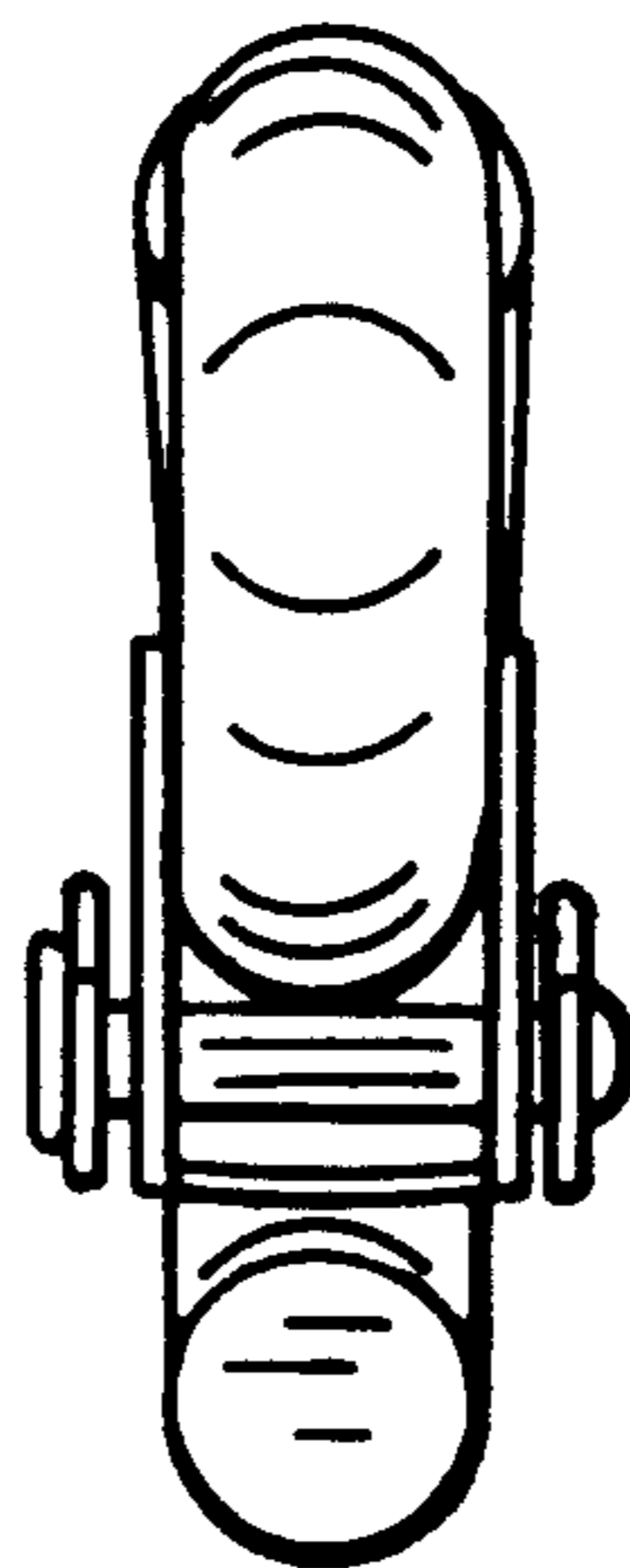


FIG. 7