



US00D444050S

(12) **United States Design Patent**
Wyers

(10) **Patent No.:** **US D444,050 S**

(45) **Date of Patent:** **** Jun. 26, 2001**

(54) **LOCKING ROD DEVICE**

5,664,445 * 9/1997 Chang 70/34
6,055,832 * 5/2000 Wyers 70/34

(76) Inventor: **Philip W. Wyers**, 6476 S. Ivy Ct.,
Englewood, CO (US) 80111

* cited by examiner

(**) Term: **14 Years**

Primary Examiner—Susan J. Lucas
Assistant Examiner—Jennifer Rivard

(21) Appl. No.: **29/126,125**

(57) **CLAIM**

(22) Filed: **Jul. 6, 2000**

The ornamental design for a locking rod device, as shown.

(51) **LOC (7) Cl.** **08-07**

(52) **U.S. Cl.** **D8/341**

(58) **Field of Search** D8/330, 331, 339,
D8/341; 70/14, 34, 258, 232

DESCRIPTION

FIG. 1 is a perspective view showing dual head configura-
tion.

FIG. 2 is a side view.

FIG. 3 is a side view with the device rotated 45 degrees

FIG. 4 is a front view; and,

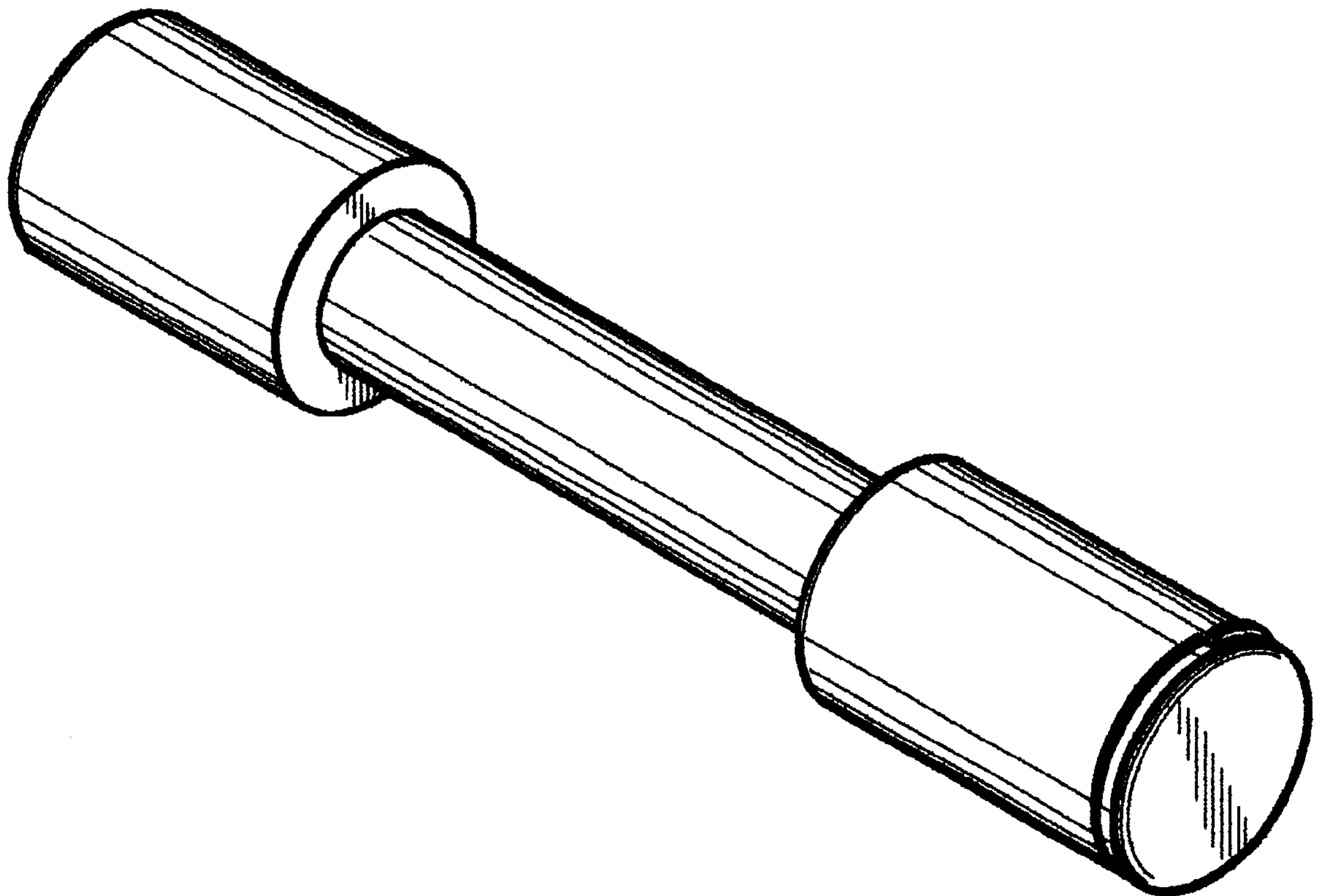
FIG. 5 is a back view.

(56) **References Cited**

U.S. PATENT DOCUMENTS

D. 428,795 * 8/2000 Wyers D8/341
4,711,106 * 12/1987 Johnson 70/34

1 Claim, 1 Drawing Sheet



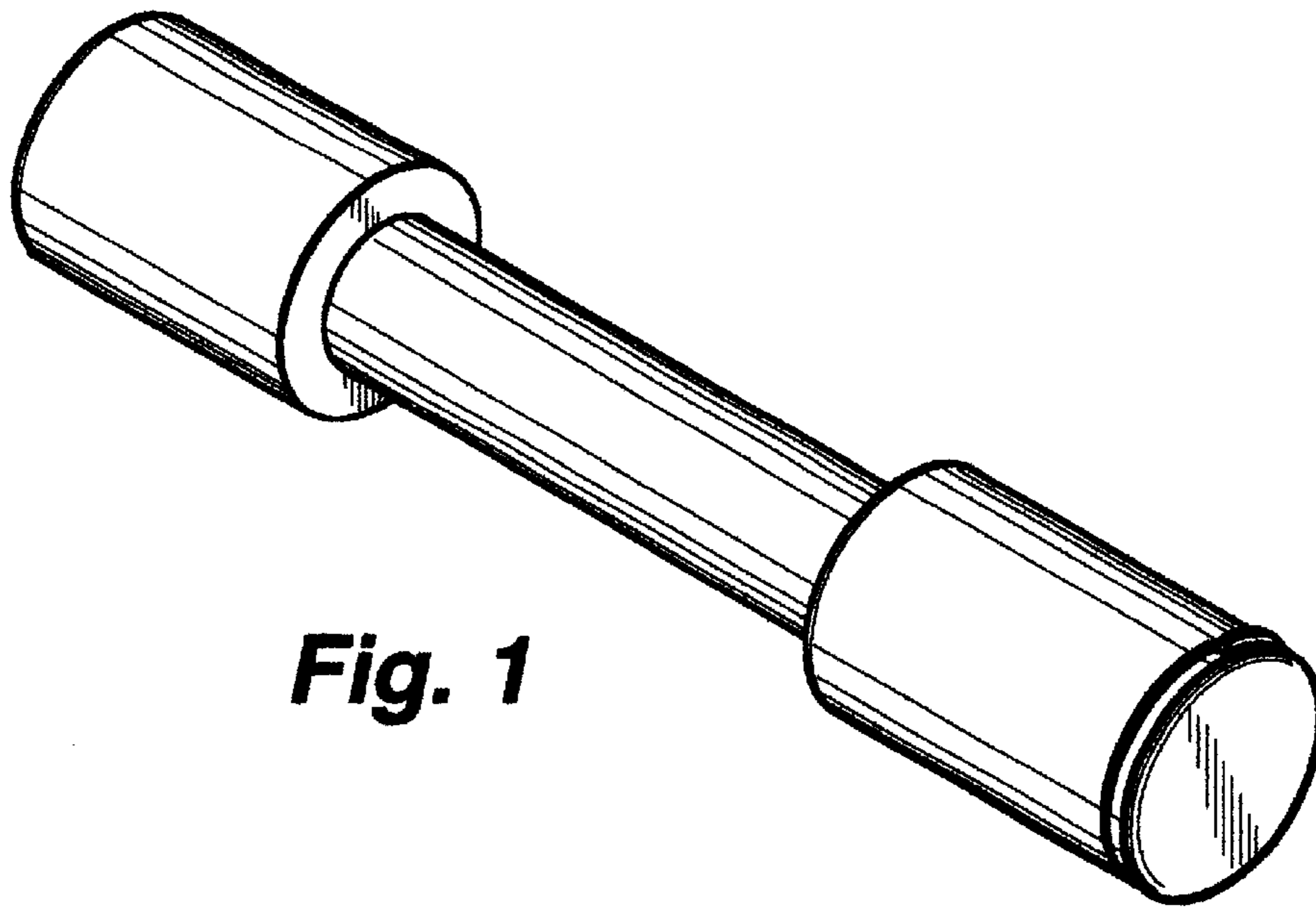


Fig. 1

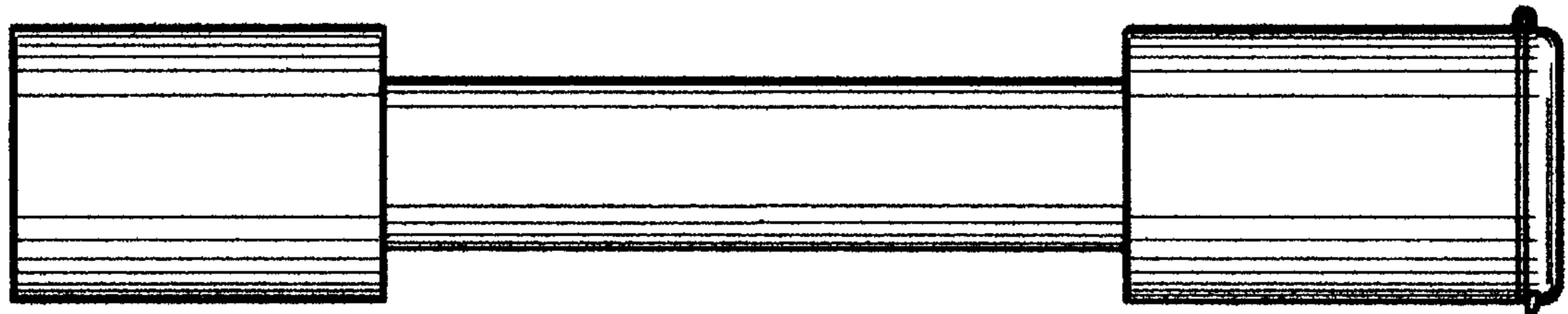


Fig. 2

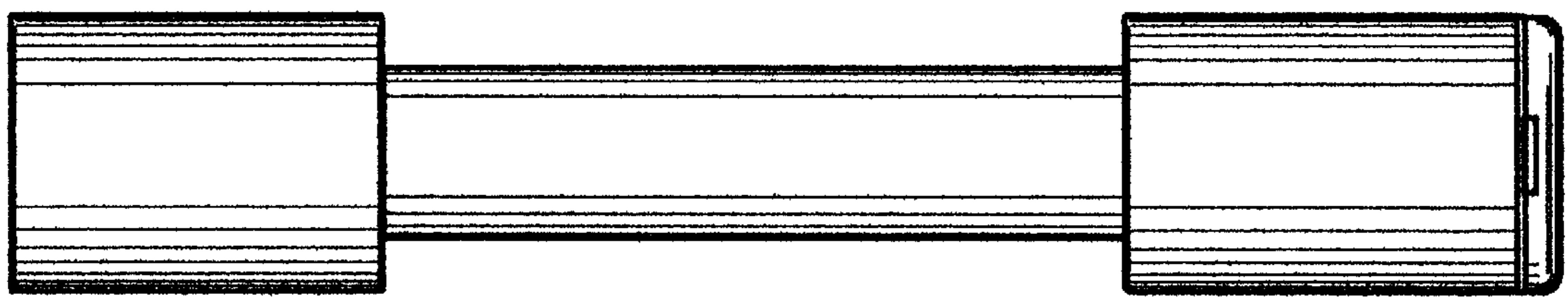


Fig. 3

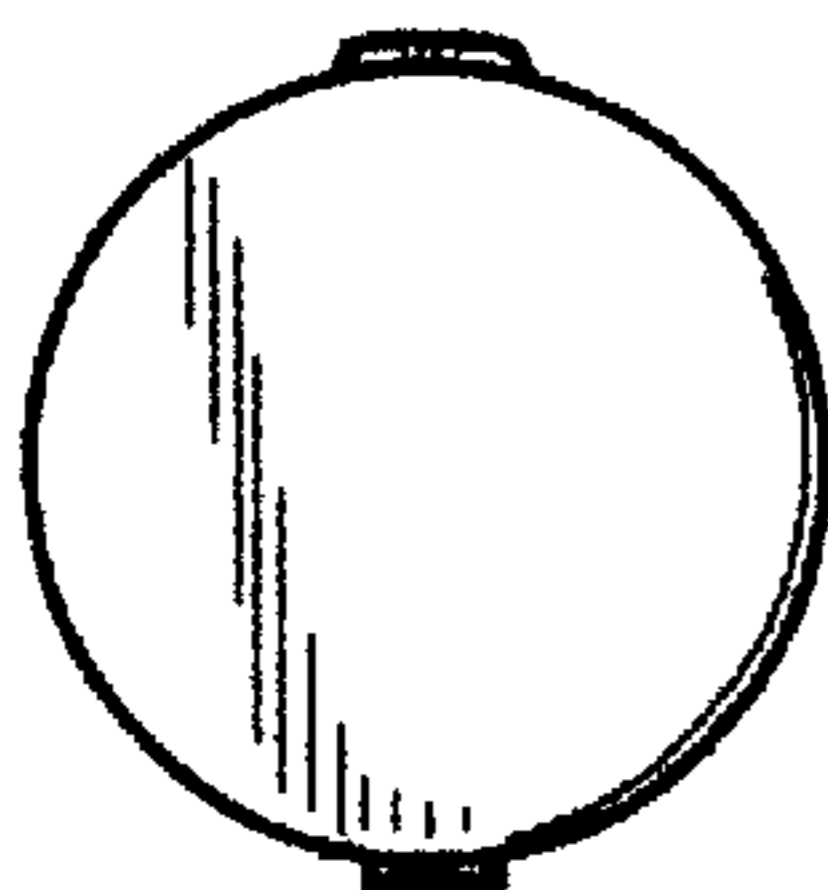


Fig. 4

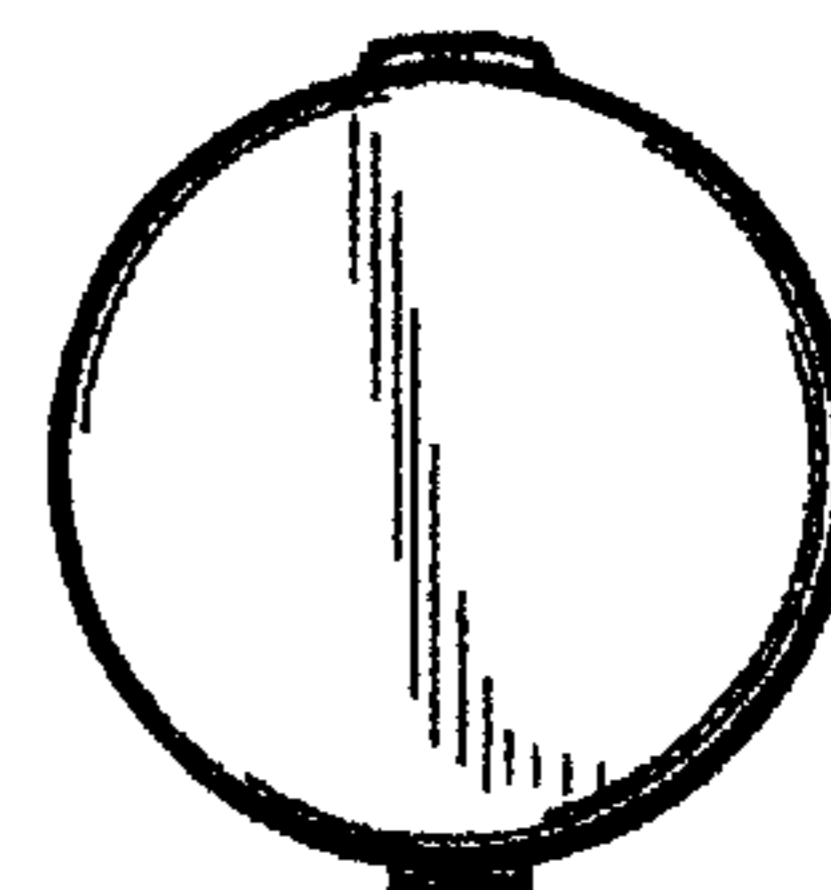


Fig. 5