



US00D444045S

(12) **United States Design Patent**
Kay

(10) **Patent No.:** **US D444,045 S**

(45) **Date of Patent:** **** Jun. 26, 2001**

(54) **CORK EXTRACTOR**

(75) Inventor: **Neil J. Kay**, Rolling Hills Estates, CA (US)

(73) Assignee: **Cisco Sales Corp.**, Torrance, CA (US)

(**) Term: **14 Years**

(21) Appl. No.: **29/132,697**

(22) Filed: **Nov. 14, 2000**

(51) **LOC (7) Cl.** **07-99**

(52) **U.S. Cl.** **D8/39; D8/42**

(58) **Field of Search** D8/33-43, 18;
30/400-443; 81/3.07-3.49; 7/151-156

(56) **References Cited**

U.S. PATENT DOCUMENTS

D. 408,697	*	4/1999	Bergen	D8/42
D. 415,667	*	10/1999	de Bergen	D8/42
D. 420,558	*	2/2000	Lee	D8/39
D. 430,994	*	9/2000	Kilduff	D8/39
593,698	*	11/1897	Stoll	81/3.37
4,253,351	*	3/1981	Allen	81/3.29

OTHER PUBLICATIONS

Winter 1995 Chefs Catalog, p. 58, item B.*

* cited by examiner

Primary Examiner—Jeffrey Asch

(74) *Attorney, Agent, or Firm*—Irving Keschner

(57) **CLAIM**

The ornamental design for cork extractor, as shown.

DESCRIPTION

FIG. 1 is a perspective view of the ornamental design of the present invention;

FIG. 2 is a top view of the ornamental design of the present invention;

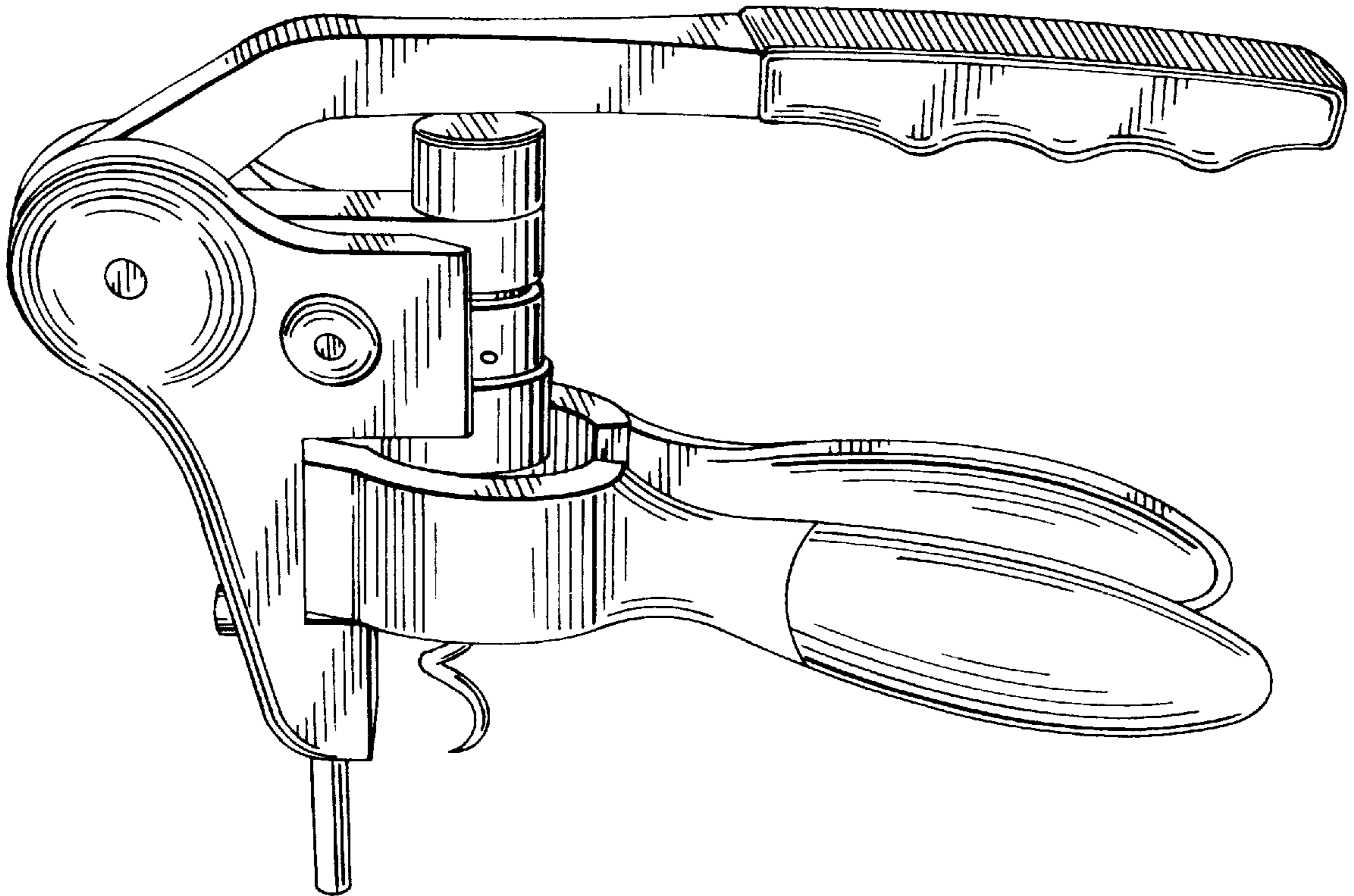
FIG. 3 is a bottom view of the ornamental design of the present invention;

FIG. 4 is a right side elevation view of the ornamental design of the present invention;

FIG. 5 is a front elevation view of the ornamental design of the present invention; and,

FIG. 6 is a rear elevation view of the ornamental design of the present invention.

1 Claim, 3 Drawing Sheets



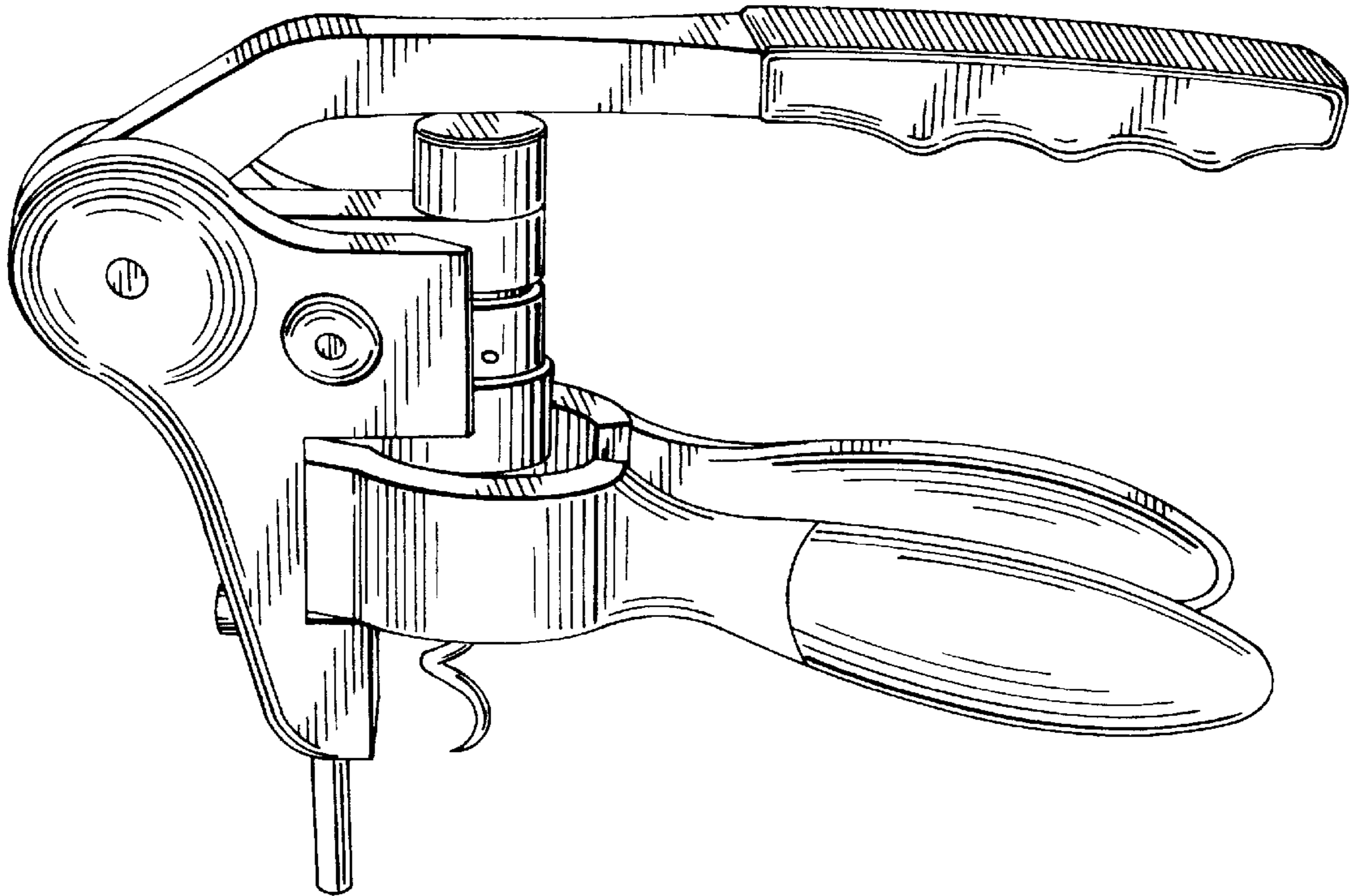


FIG. 1

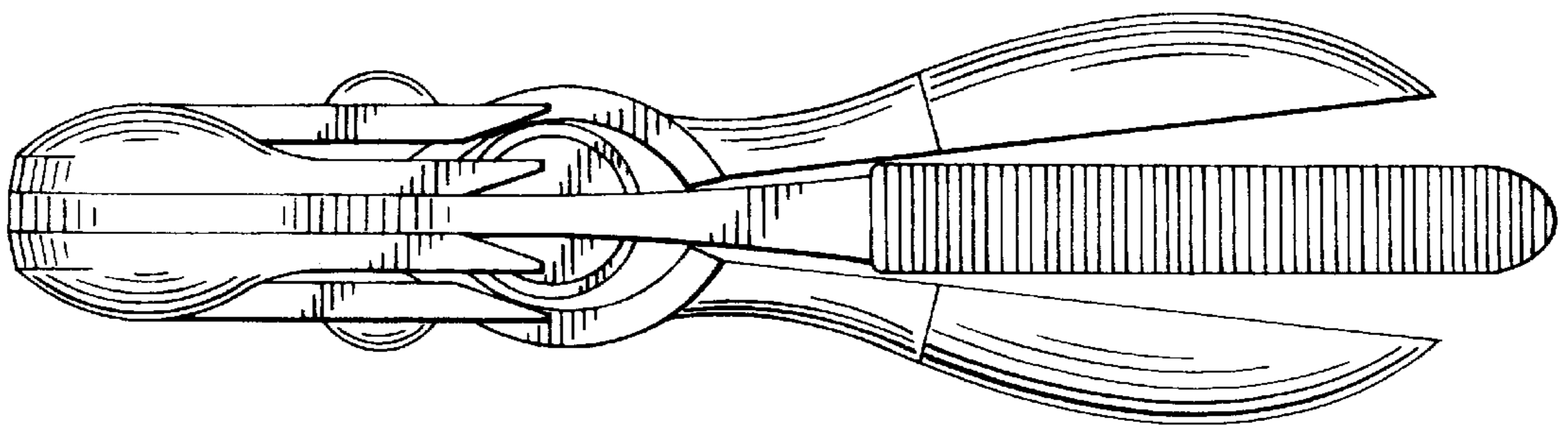


FIG. 2

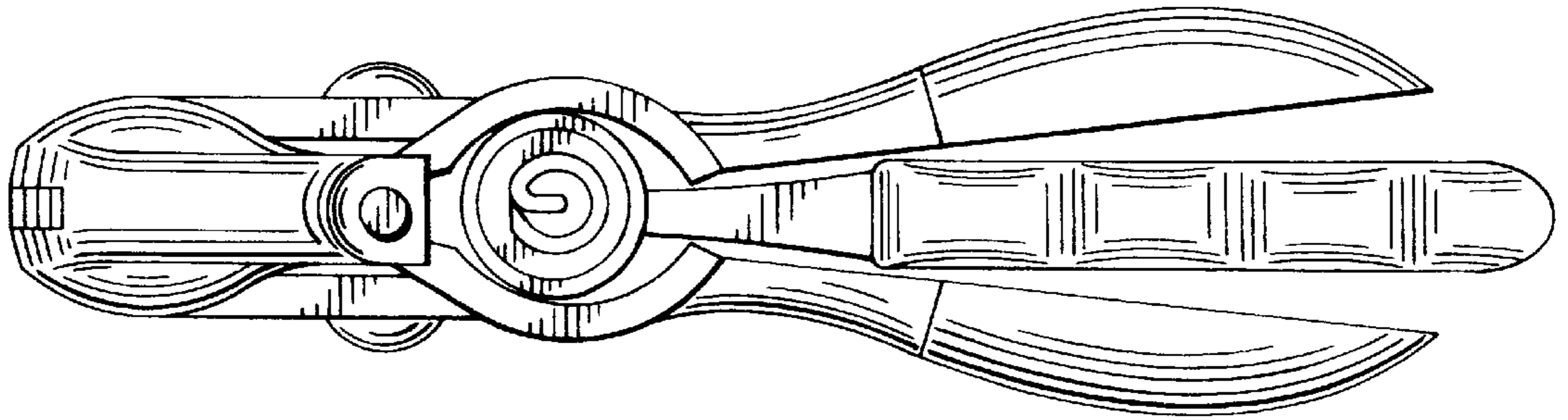


FIG. 3

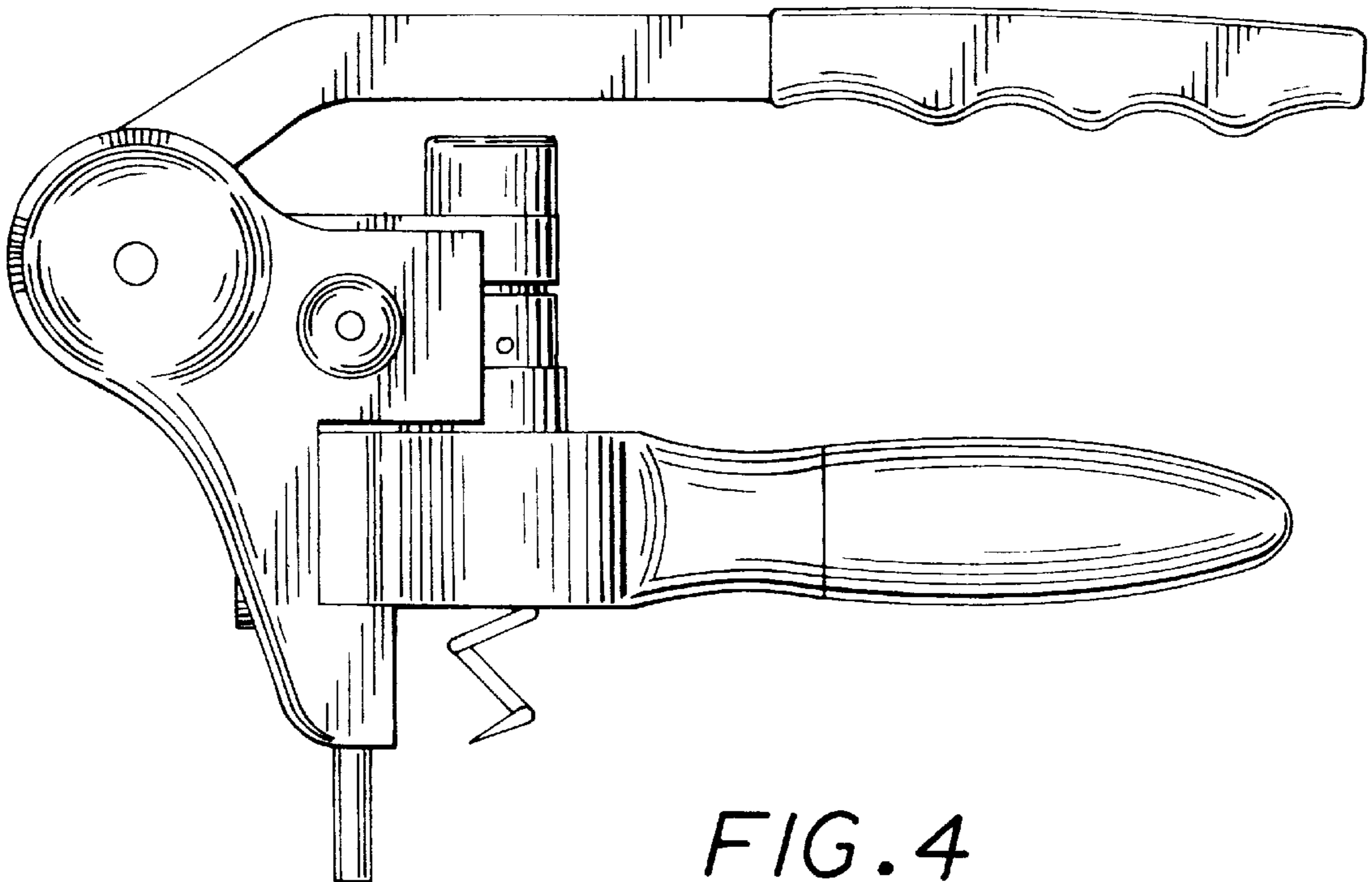


FIG. 4

FIG. 5

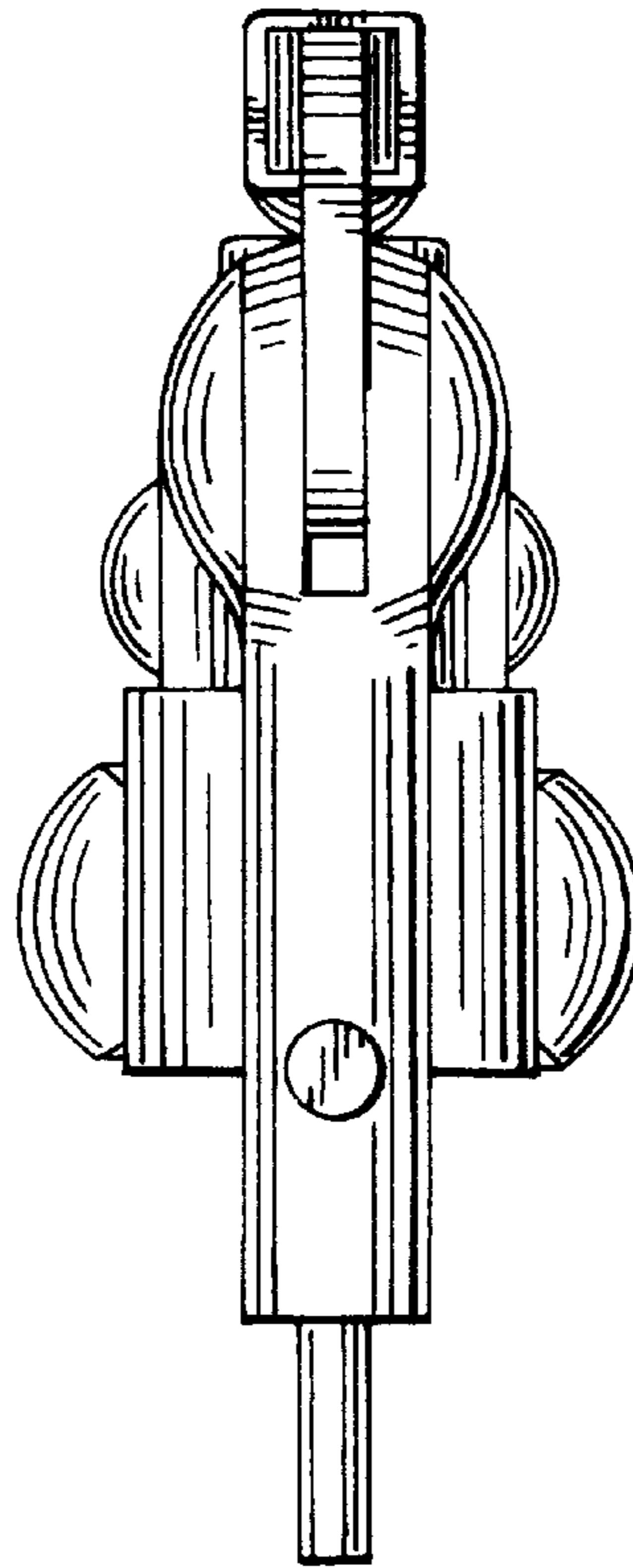


FIG. 6

