



US00D444043S

(12) **United States Design Patent**
Choi

(10) **Patent No.:** **US D444,043 S**

(45) **Date of Patent:** **** Jun. 26, 2001**

(54) **RATCHETING LOPPING SHEARS**

D. 413,052 * 8/1999 Staton D8/5

(75) Inventor: **Seung-Geun Choi**, Chungcheongbuk-do (KR)

* cited by examiner

(73) Assignee: **Bando Industrial Co., Ltd.** (KR)

Primary Examiner—Robin V. Taylor

(**) Term: **14 Years**

(74) *Attorney, Agent, or Firm*—Blakely Sokoloff Taylor & Zafman

(21) Appl. No.: **29/112,782**

(22) Filed: **Oct. 21, 1999**

(57) **CLAIM**

The ornamental design for a ratcheting lopping shears, as shown and described.

(30) **Foreign Application Priority Data**

DESCRIPTION

Jul. 2, 1999 (KR) 99-15126

FIG. 1 is a front elevational view of the design for a pruner; FIG. 2 is a rear elevational view of the design of FIG. 1; FIG. 3 is a left side elevational view of the design of FIG. 1; FIG. 4 is a right side elevational view of the design of FIG. 1; FIG. 5 is a top plan view of the design of FIG. 1; FIG. 6 is a bottom plan view of the design of FIG. 1; and, FIG. 7 is a top, front, left side perspective view of the design of FIG. 1.

(51) **LOC (7) Cl.** **08-01**

(52) **U.S. Cl.** **D8/5**

(58) **Field of Search** D8/1, 4, 5; 30/287, 30/262, 252

(56) **References Cited**

U.S. PATENT DOCUMENTS

D. 386,369 * 11/1997 Lin D8/5

D. 405,663 * 2/1999 Deville D8/5

1 Claim, 4 Drawing Sheets

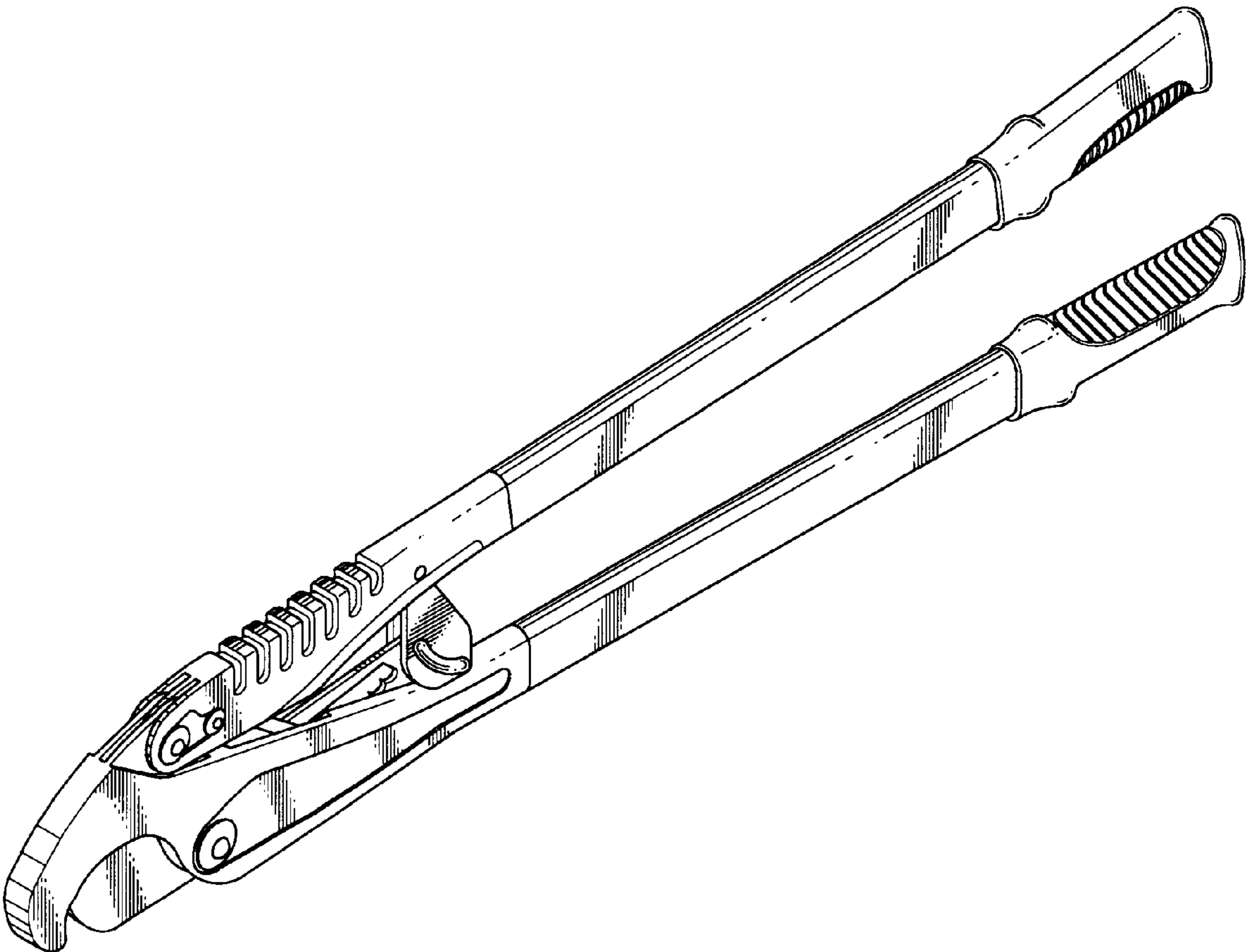


FIG. 1

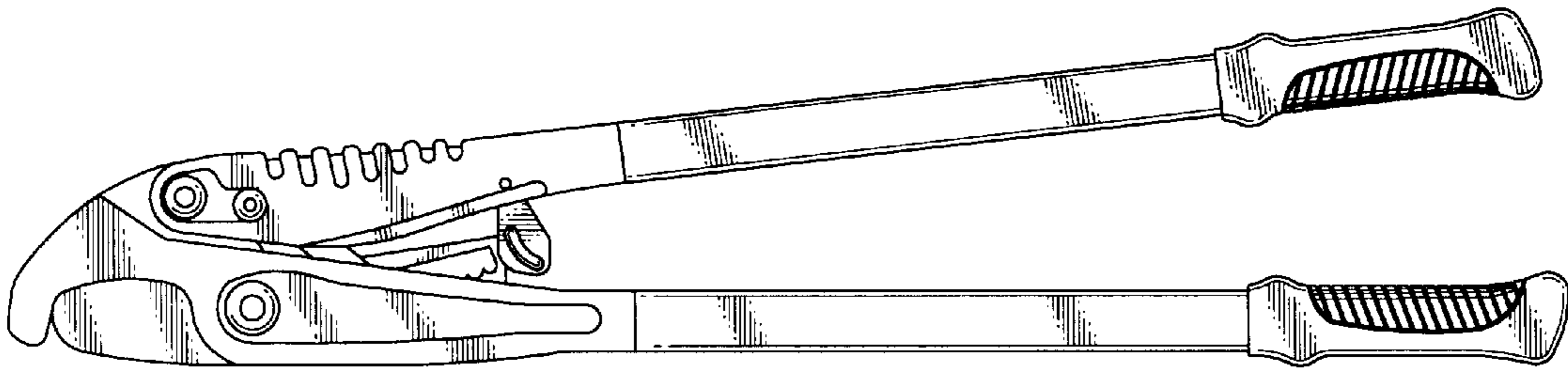


FIG. 2

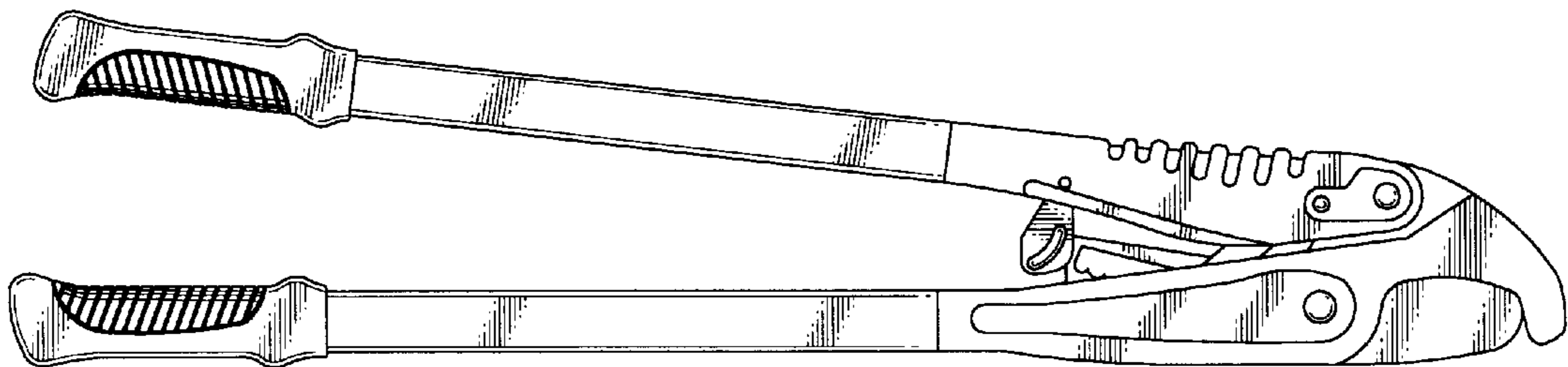


FIG. 3



FIG. 4



FIG.5

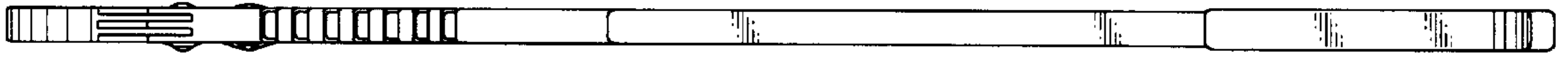


FIG.6

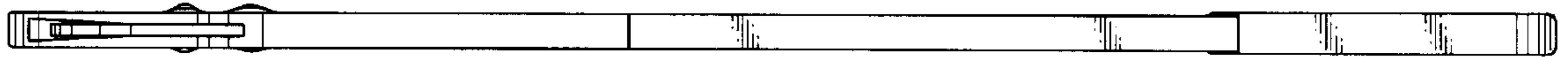
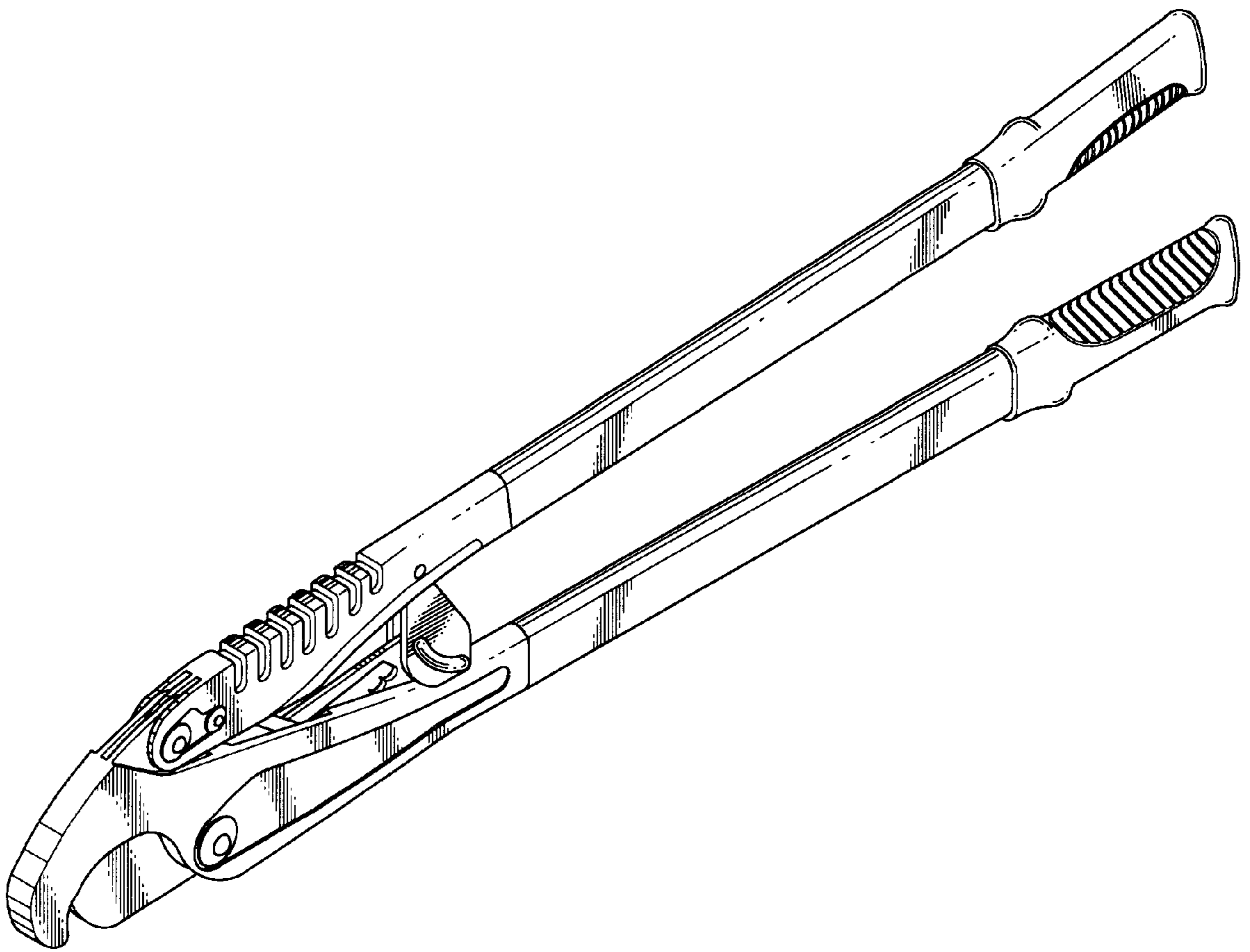


FIG. 7



UNITED STATES PATENT AND TRADEMARK OFFICE
CERTIFICATE OF CORRECTION

PATENT NO. : Des. 444,043 S
DATED : June 26, 2001
INVENTOR(S) : Choi

Page 1 of 1

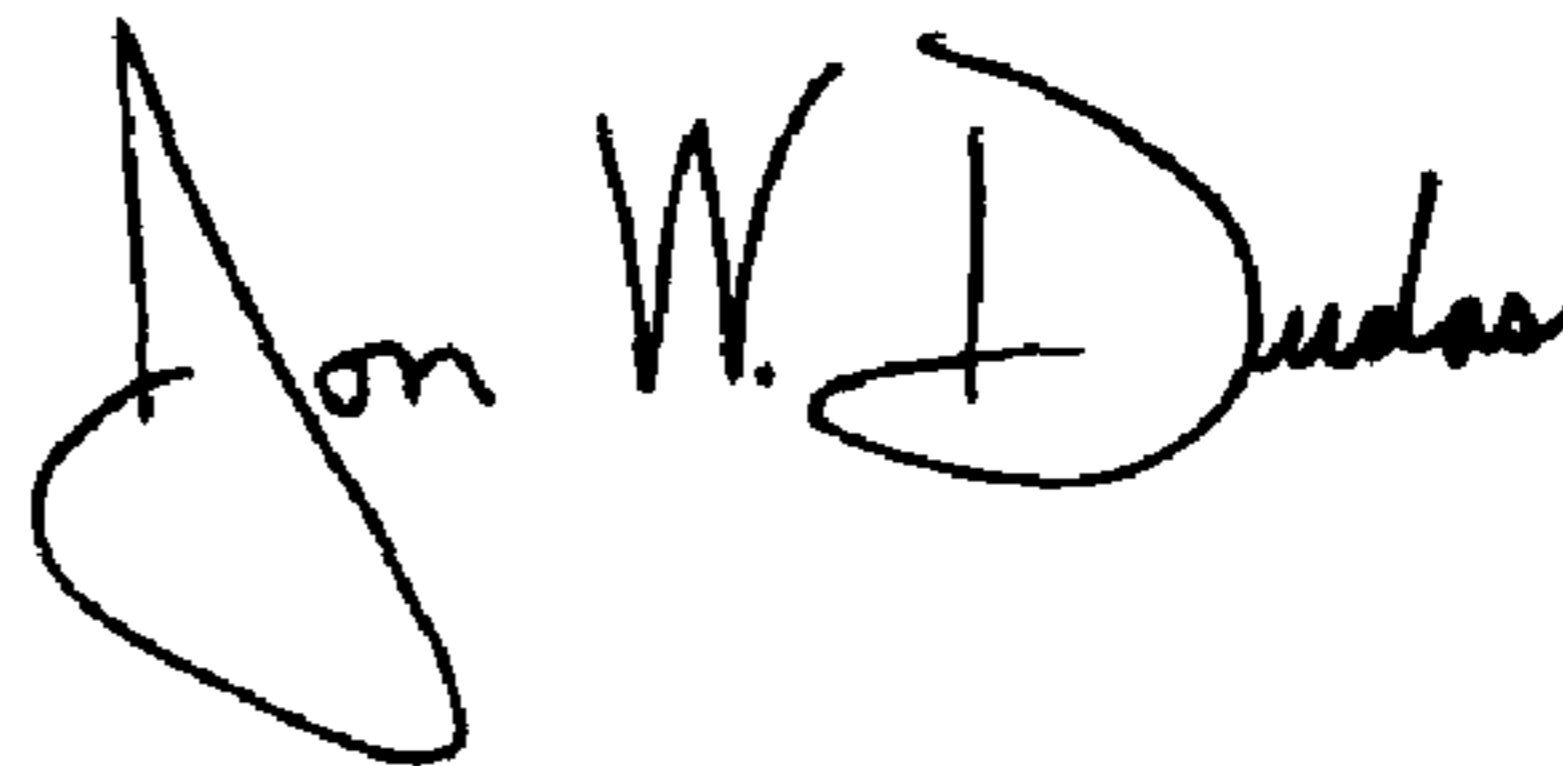
It is certified that error appears in the above-identified patent and that said Letters Patent is hereby corrected as shown below:

Title page.

Item [75], Inventor, please delete "**Seung-Geun**" and insert -- **Seung-Keun** --.

Signed and Sealed this

Fourteenth Day of December, 2004

A handwritten signature in black ink that reads "Jon W. Dudas". The signature is written in a cursive style with a large, looped initial "J" and a stylized "D".

JON W. DUDAS

Director of the United States Patent and Trademark Office