



US00D444037S

(12) **United States Design Patent**
Moffett, III et al.

(10) **Patent No.:** **US D444,037 S**

(45) **Date of Patent:** **** Jun. 26, 2001**

(54) **LUNCH MULTI ENTERTAINMENT COOLER**

D. 334,868 * 4/1993 Lau Woon D7/605

(76) Inventors: **Noah Moffett, III**, 1250 Dundale Ave.,
Norfolk, VA (US) 23513; **Andrew**
Moore, 2502 Rice St., Chesapeake, VA
(US) 23324

* cited by examiner

Primary Examiner—Terry A. Wallace

(**) Term: **14 Years**

(57) **CLAIM**

The ornamental design for a lunch multi entertainment cooler, as shown and described.

(21) Appl. No.: **29/116,675**

DESCRIPTION

(22) Filed: **Jan. 7, 2000**

(51) **LOC (7) Cl.** **07-07**

(52) **U.S. Cl.** **D7/605**

(58) **Field of Search** D7/605; D14/168;
62/371, 372, 457.1, 457.7; 220/592.2, 592.24-592.27,
915.1, 915.2

FIG. 1 is a top, front perspective view of a lunch multi entertainment cooler showing our new design, shown in an open position, the remaining views shown in a closed position;

FIG. 2 is a bottom plan view thereof;

FIG. 3 is a top plan view thereof;

FIG. 4 is a left side elevation view thereof;

FIG. 5 is a right side elevation view thereof;

FIG. 6 is a rear elevation view thereof; and,

FIG. 7 is a front elevation view thereof.

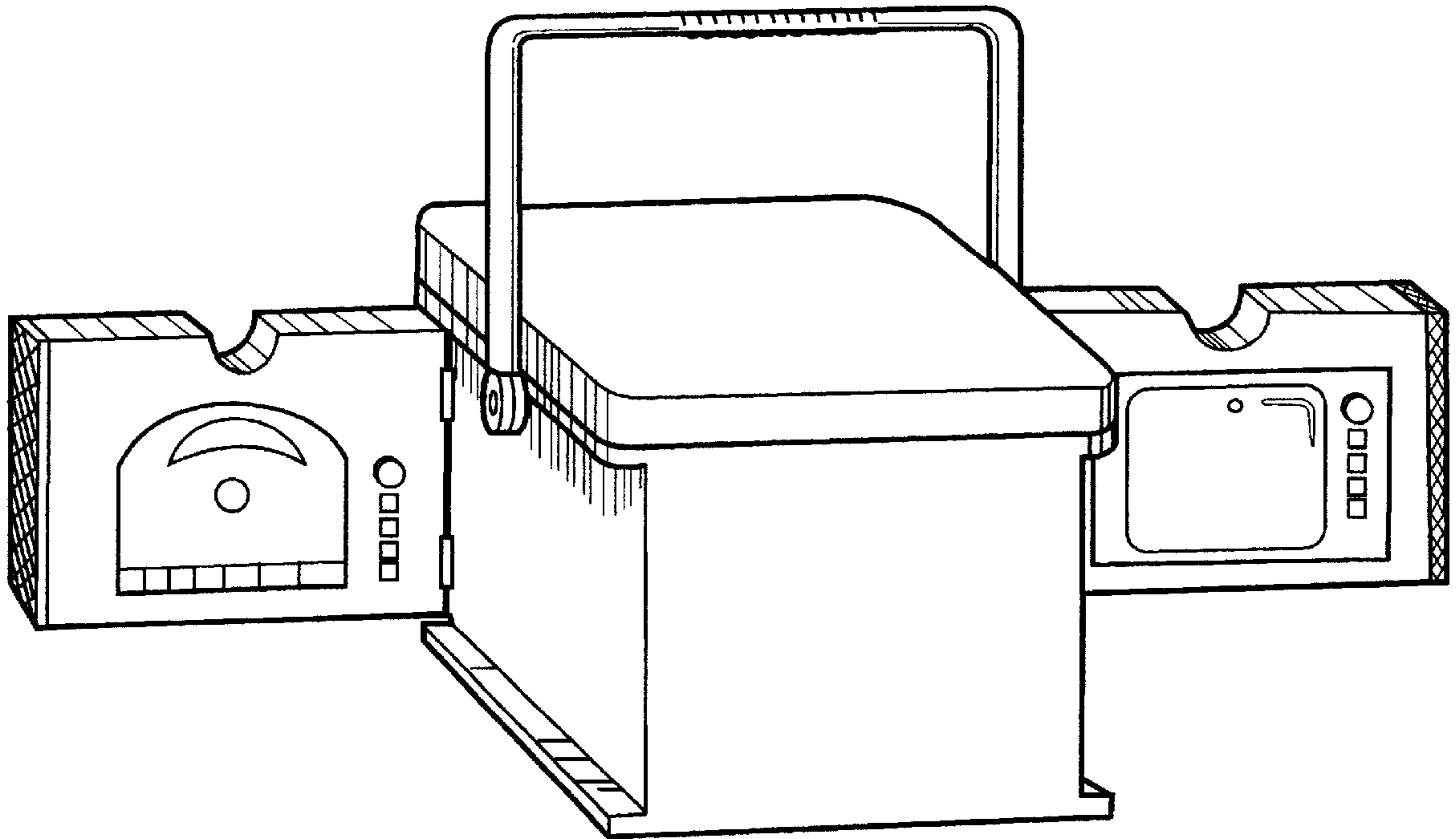
(56) **References Cited**

U.S. PATENT DOCUMENTS

D. 286,252 * 10/1986 Goodwin D7/605

D. 327,607 * 7/1992 Leonovich, Jr. D7/605

1 Claim, 4 Drawing Sheets



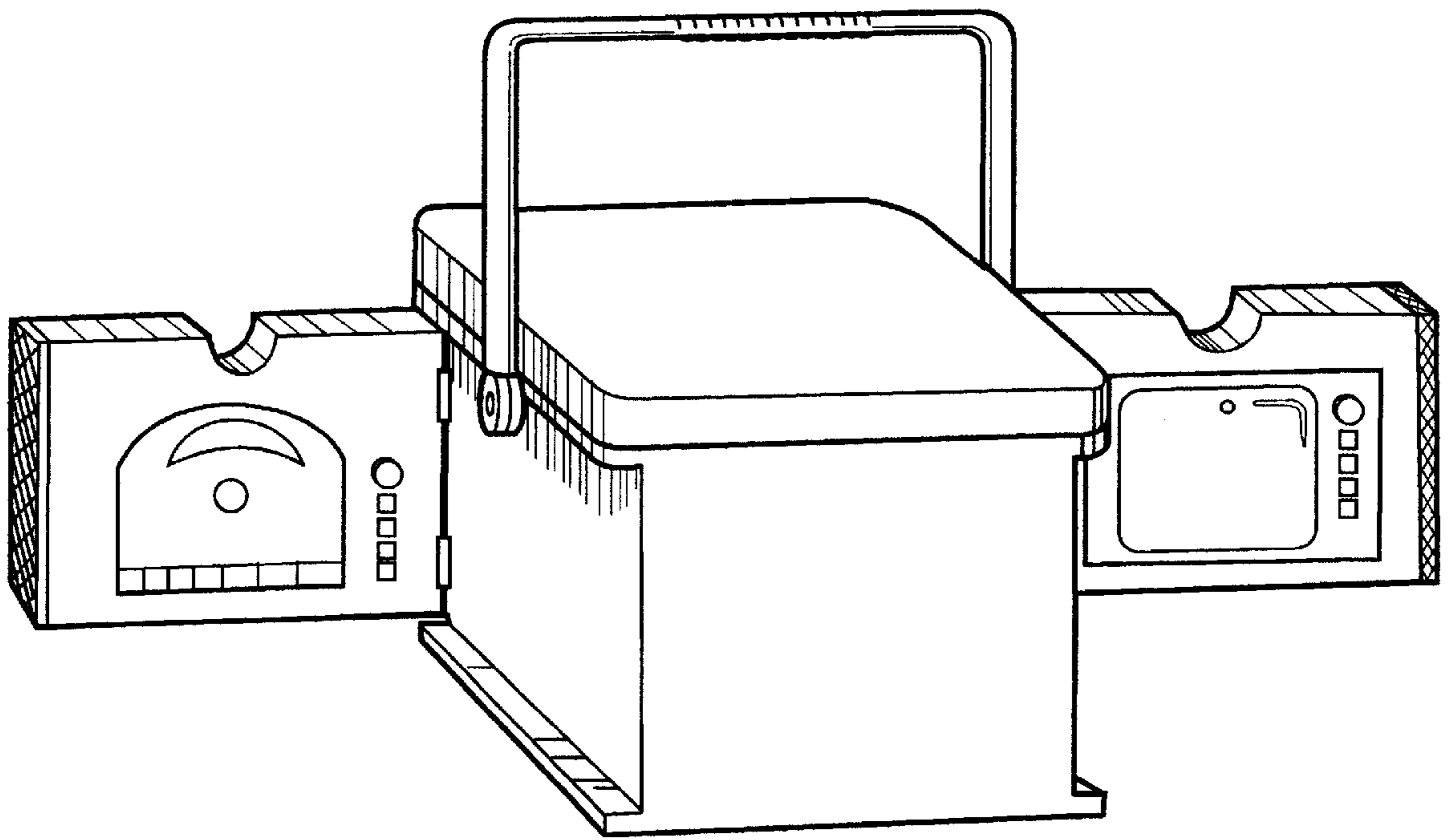


FIG. 1

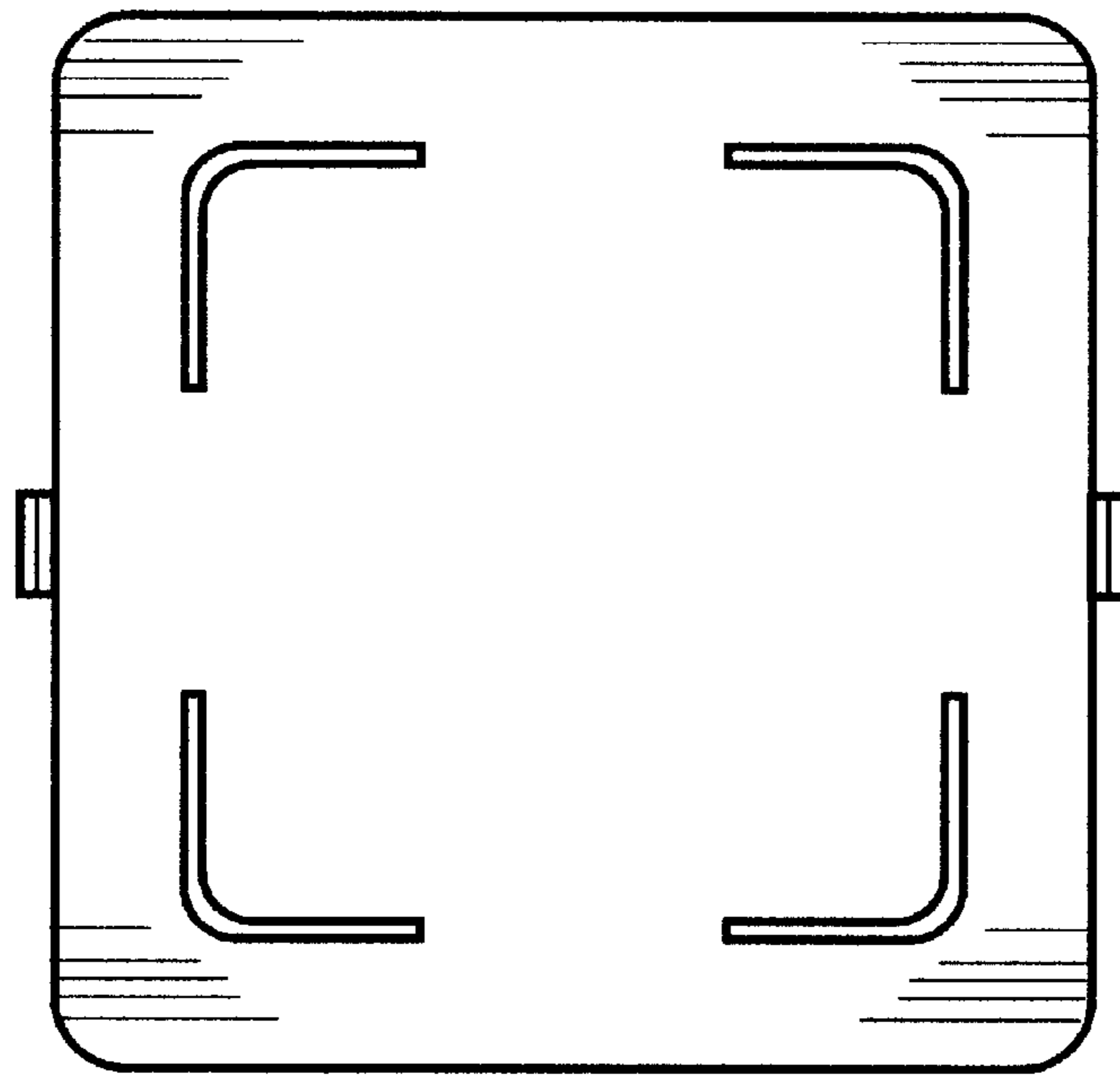


FIG. 2

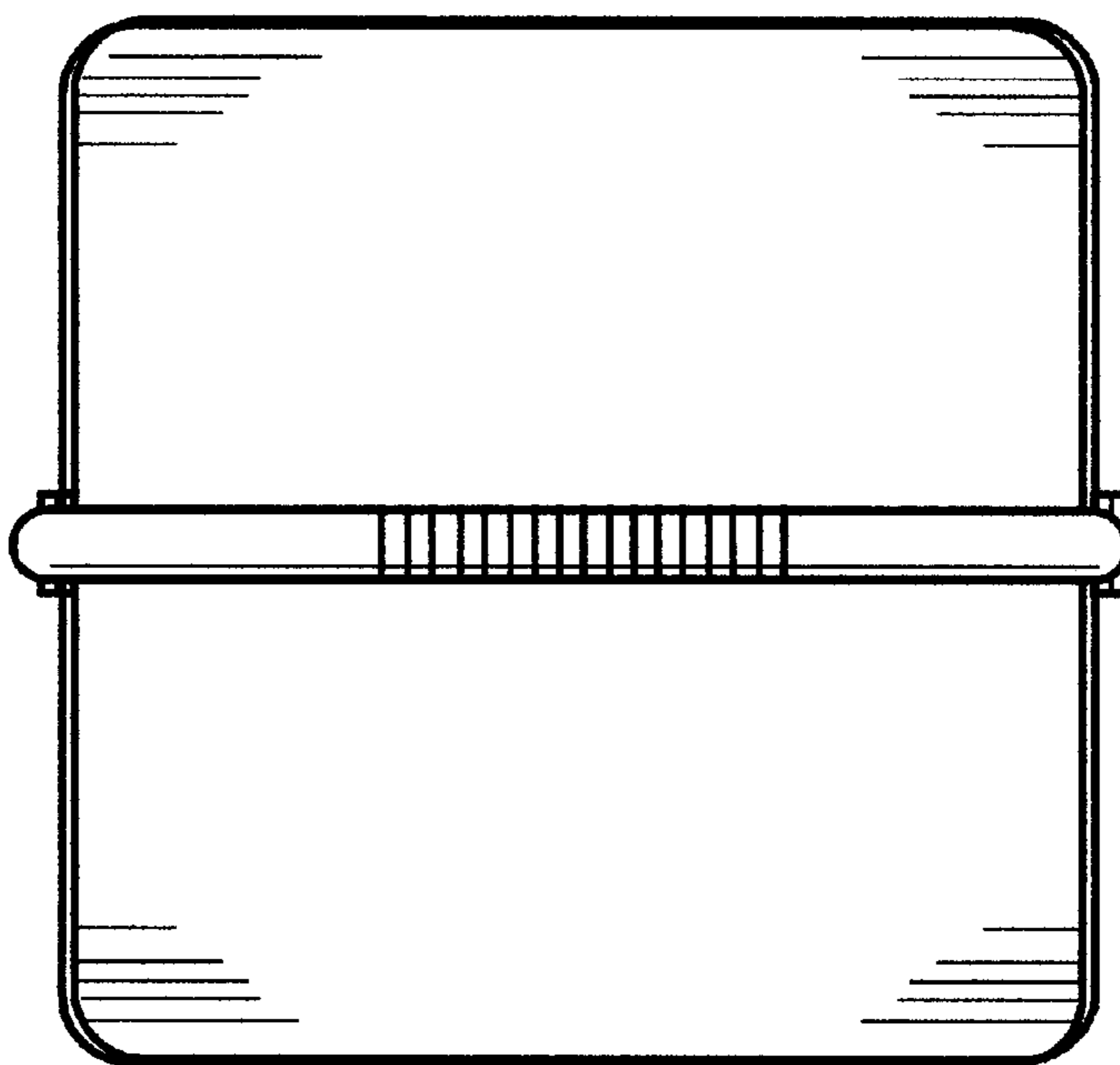


FIG. 3

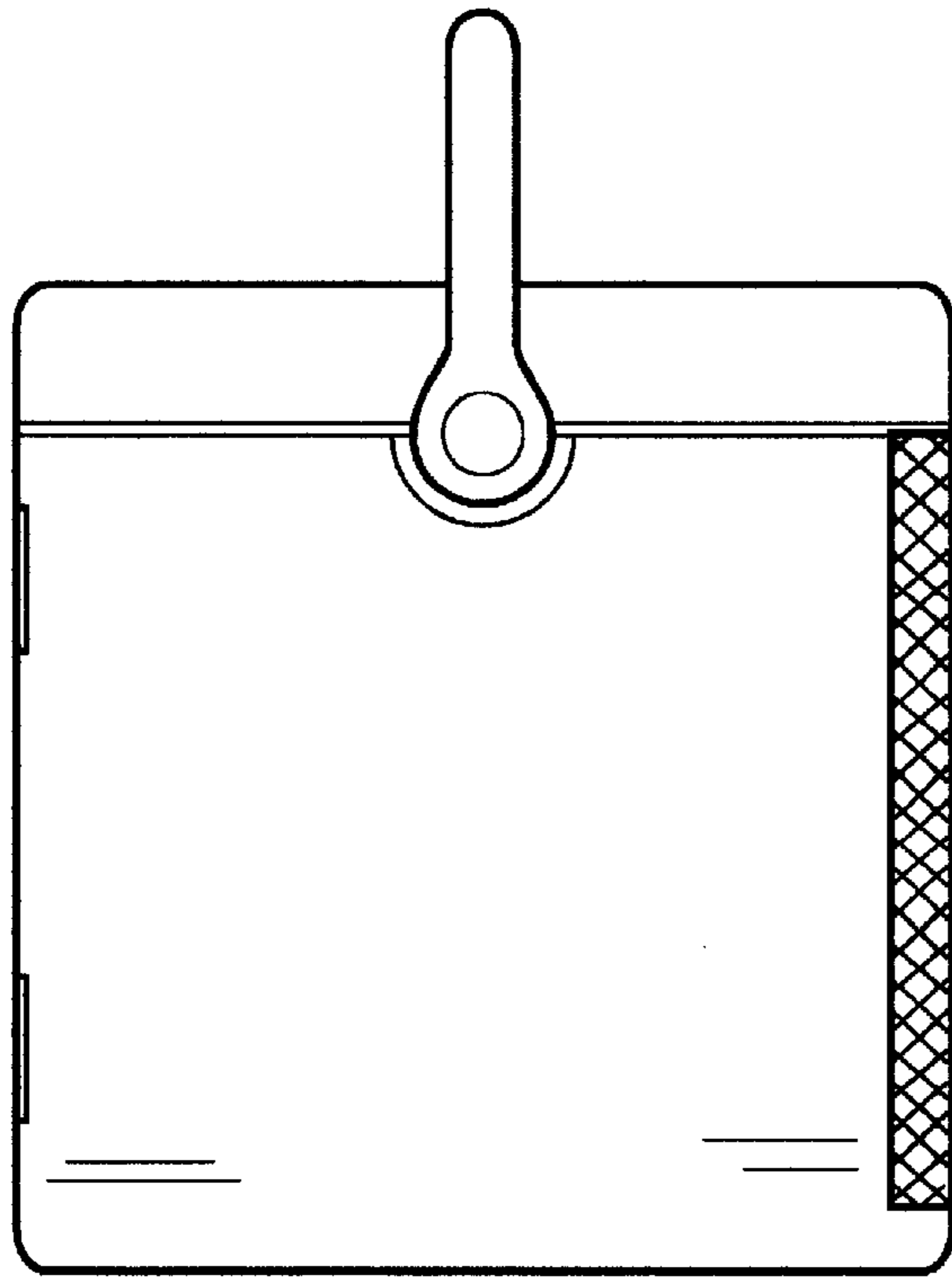


FIG. 4

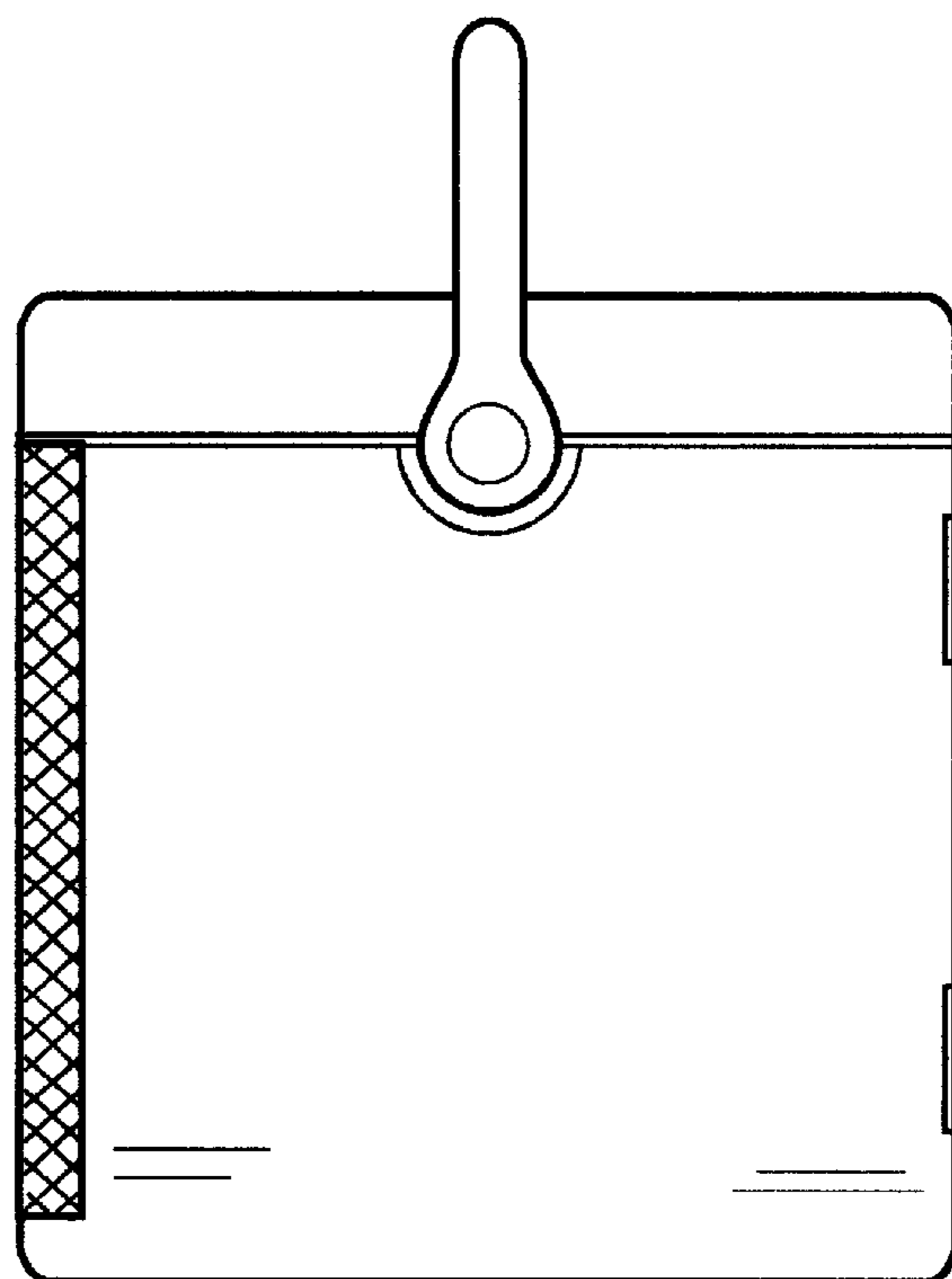


FIG. 5

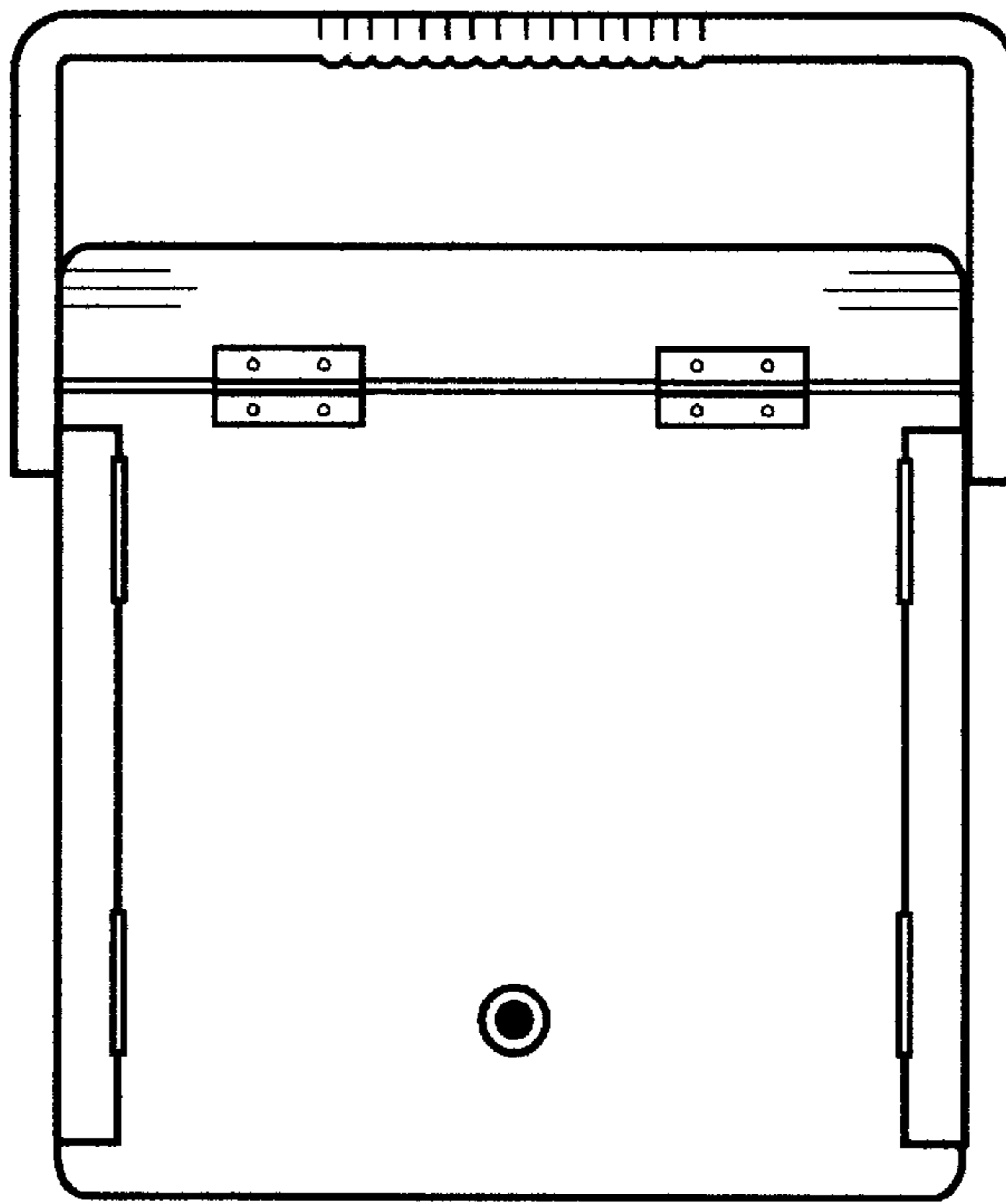


FIG. 6

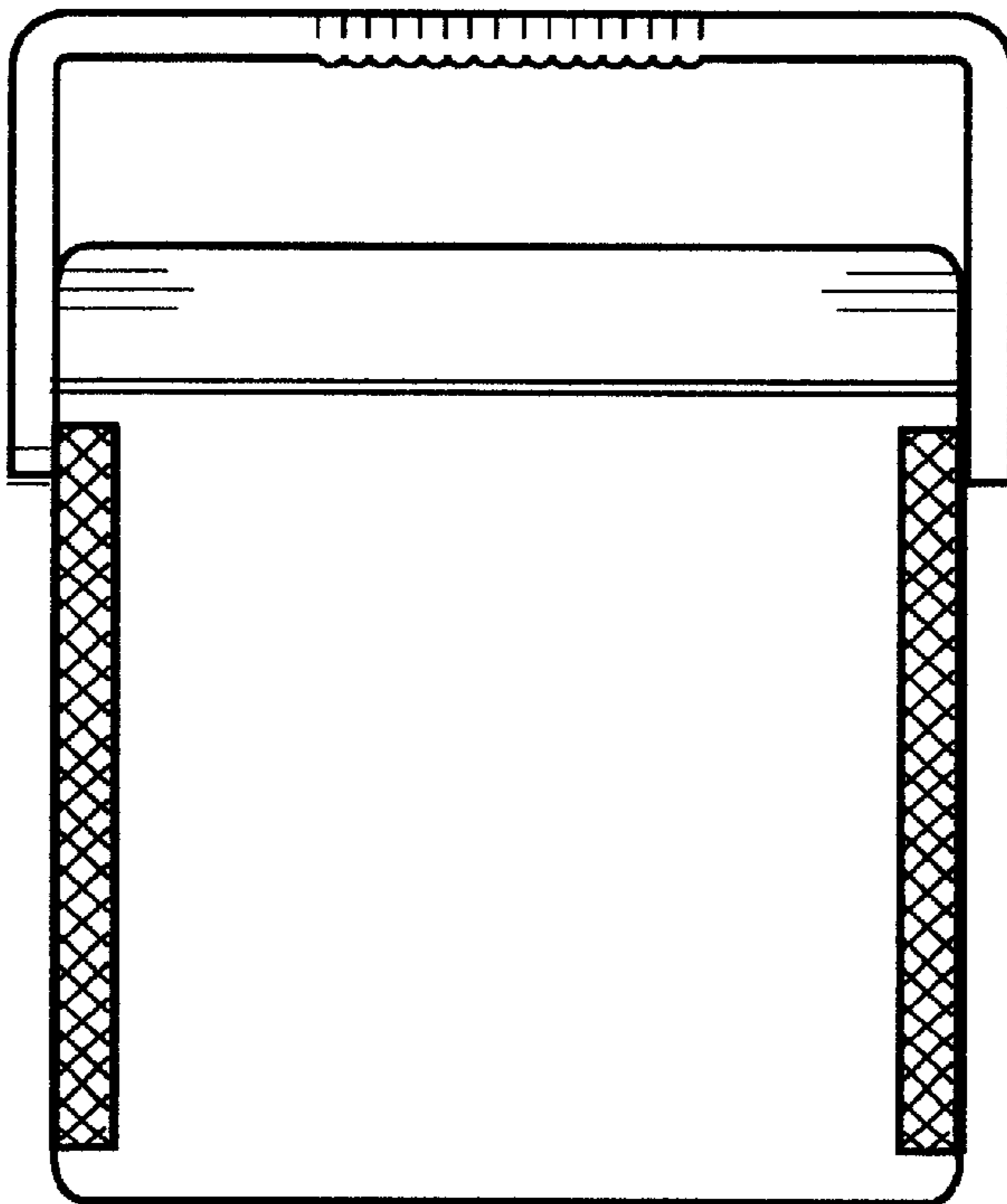


FIG. 7