



US00D444036S

(12) **United States Design Patent**  
**Hans**

(10) **Patent No.:** **US D444,036 S**

(45) **Date of Patent:** **\*\* Jun. 26, 2001**

(54) **BEVERAGE COOLER**

551,797 \* 12/1895 Stafford ..... 222/130

(76) Inventor: **Stephan Hans**, 9742 Cathay Cir.,  
Huntingdon Beach, CA (US) 92646

\* cited by examiner

*Primary Examiner*—Terry A. Wallace

(\*\*) Term: **14 Years**

(74) *Attorney, Agent, or Firm*—Marcia Devon; Chan Law  
Group LC

(21) Appl. No.: **29/119,743**

(57) **CLAIM**

(22) Filed: **Mar. 8, 2000**

The ornamental design for the beverage cooler, as shown  
and described.

(51) **LOC (7) Cl.** ..... **07-01**

(52) **U.S. Cl.** ..... **D7/603**

(58) **Field of Search** ..... D7/603–605, 539–548;  
62/371, 457.1, 457.8

**DESCRIPTION**

(56) **References Cited**

**U.S. PATENT DOCUMENTS**

D. 202,994 \* 11/1965 Taylor ..... D7/604

D. 290,572 \* 6/1987 Verduyn ..... D7/603

FIG. 1 is a perspective view of the invention;  
FIG. 2 is a top view of the invention;  
FIG. 3 is a bottom view of the invention;  
FIG. 4 is a rear view of the invention;  
FIG. 5 is a right side view of the invention; and,  
FIG. 6 is a left side view of the invention.  
The broken lines are for illustrative purposes only and form  
no part of the claimed design.

**1 Claim, 3 Drawing Sheets**

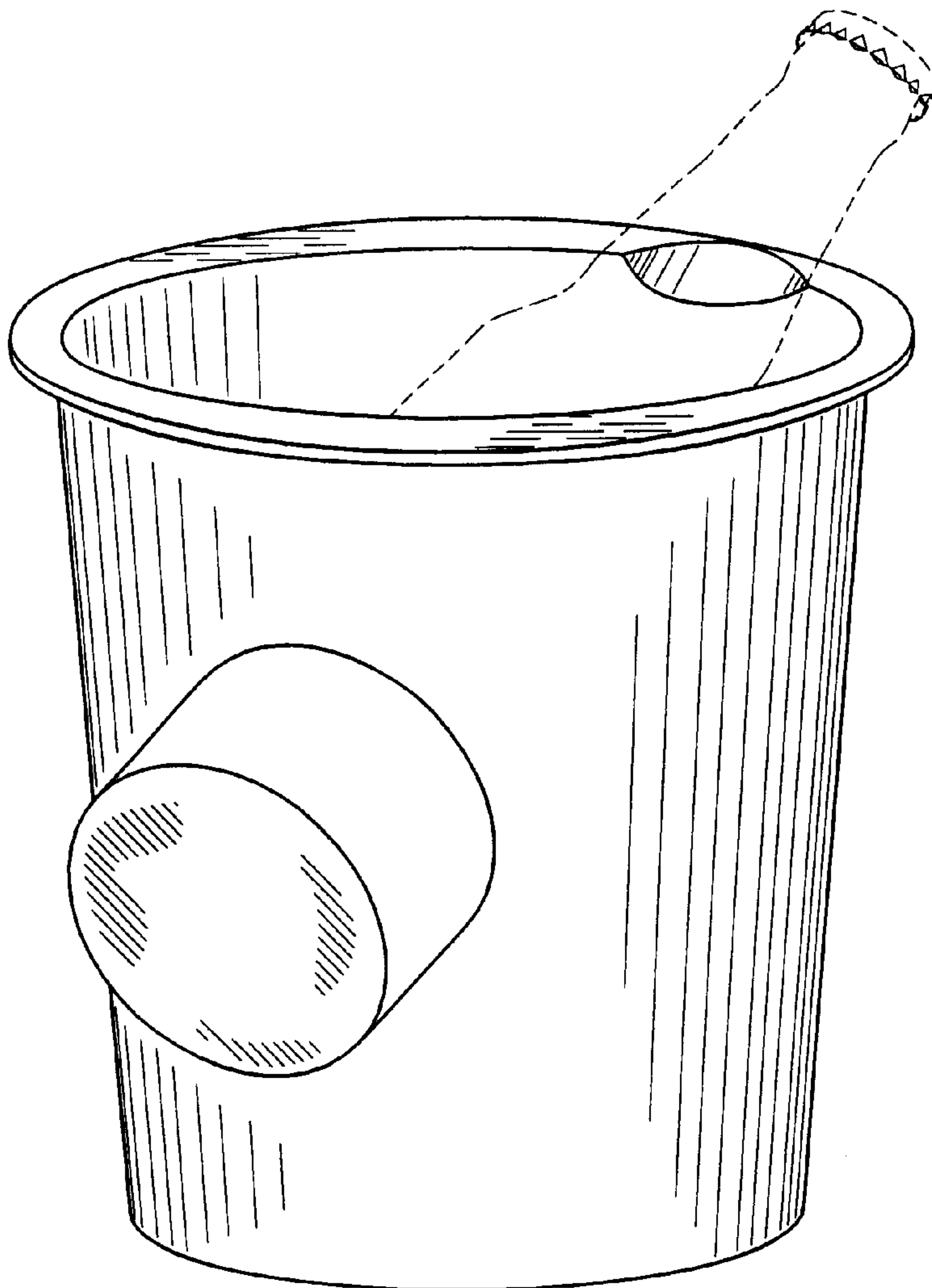


FIG. 1

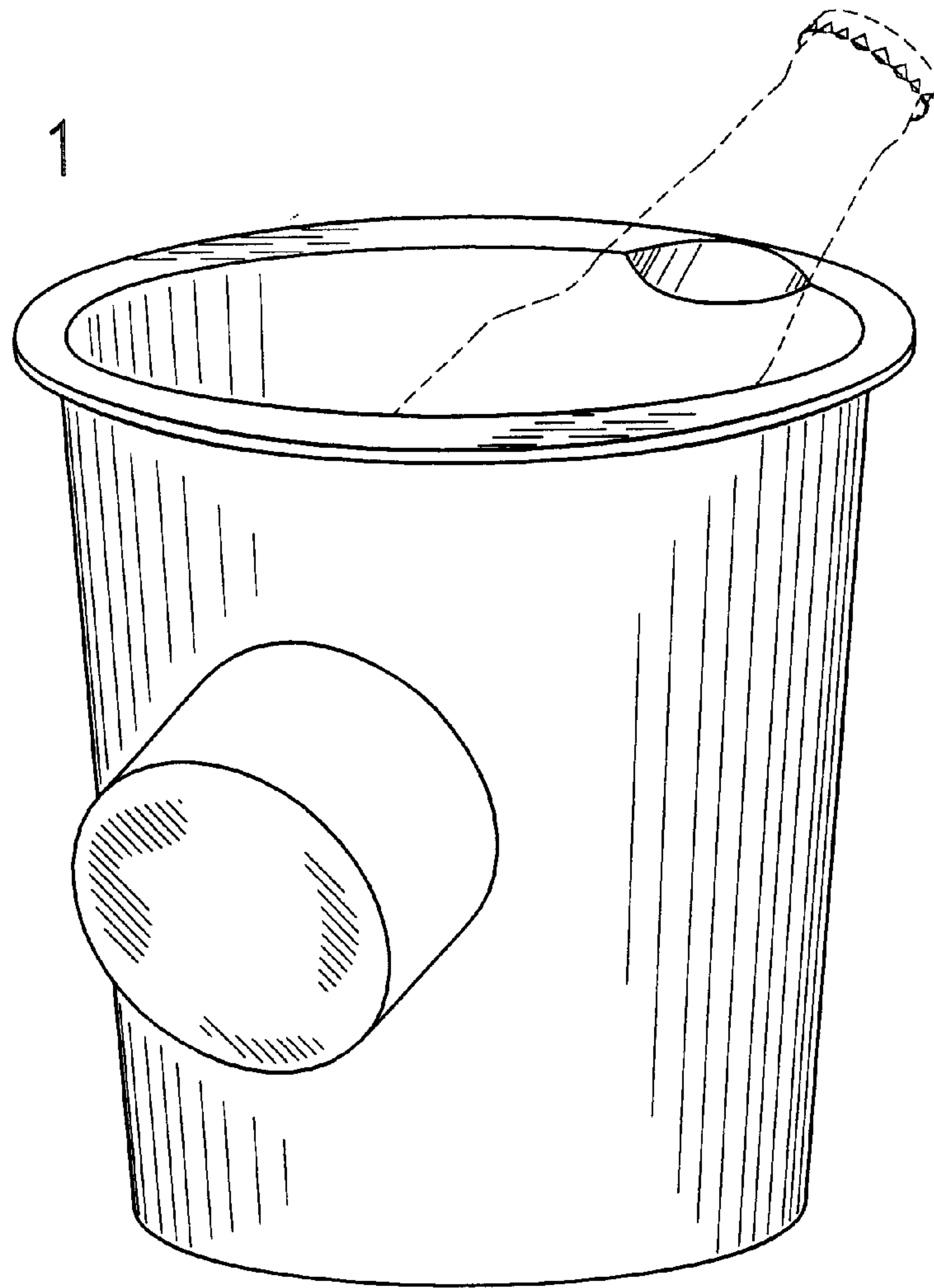


FIG. 2

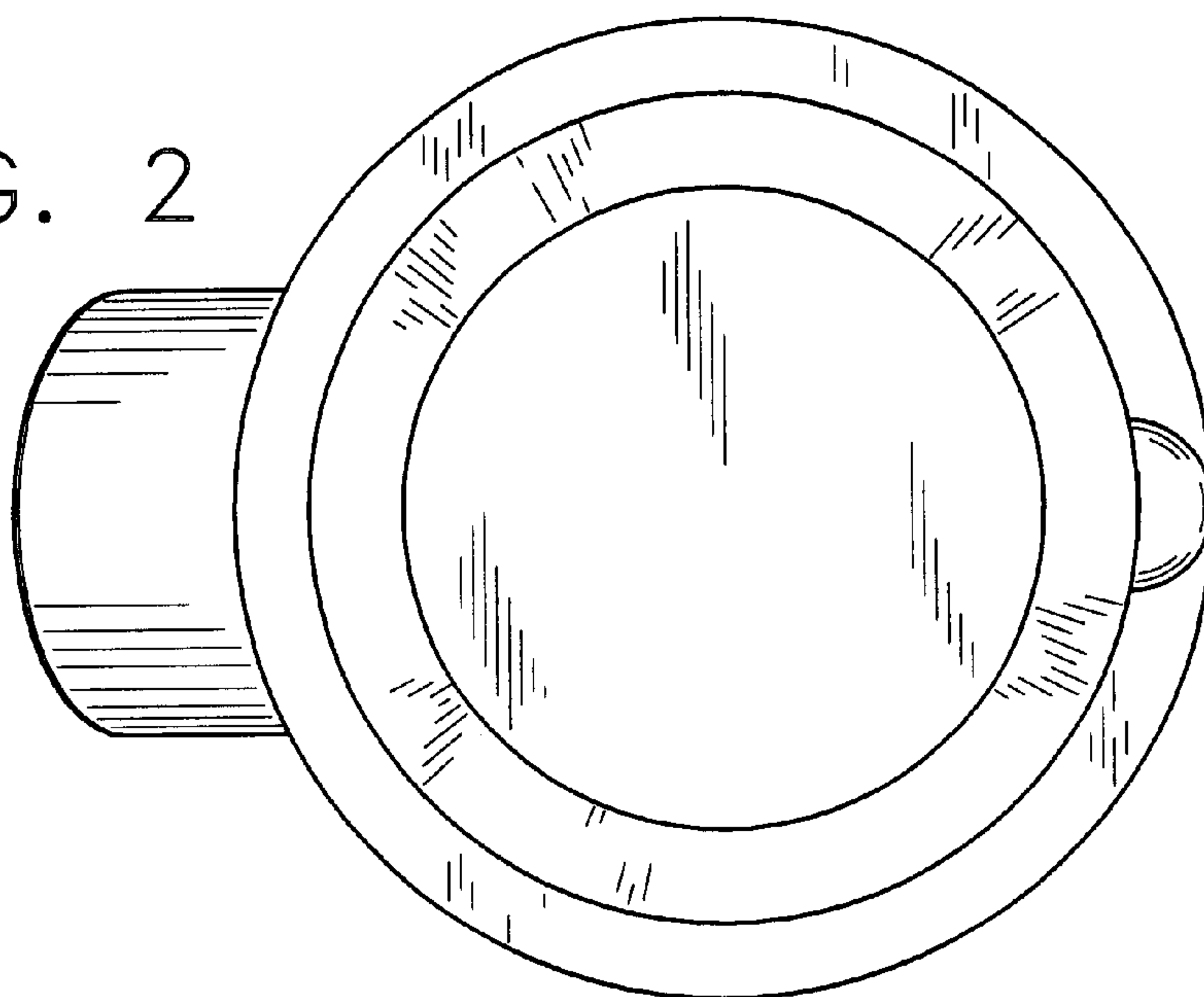


FIG. 3

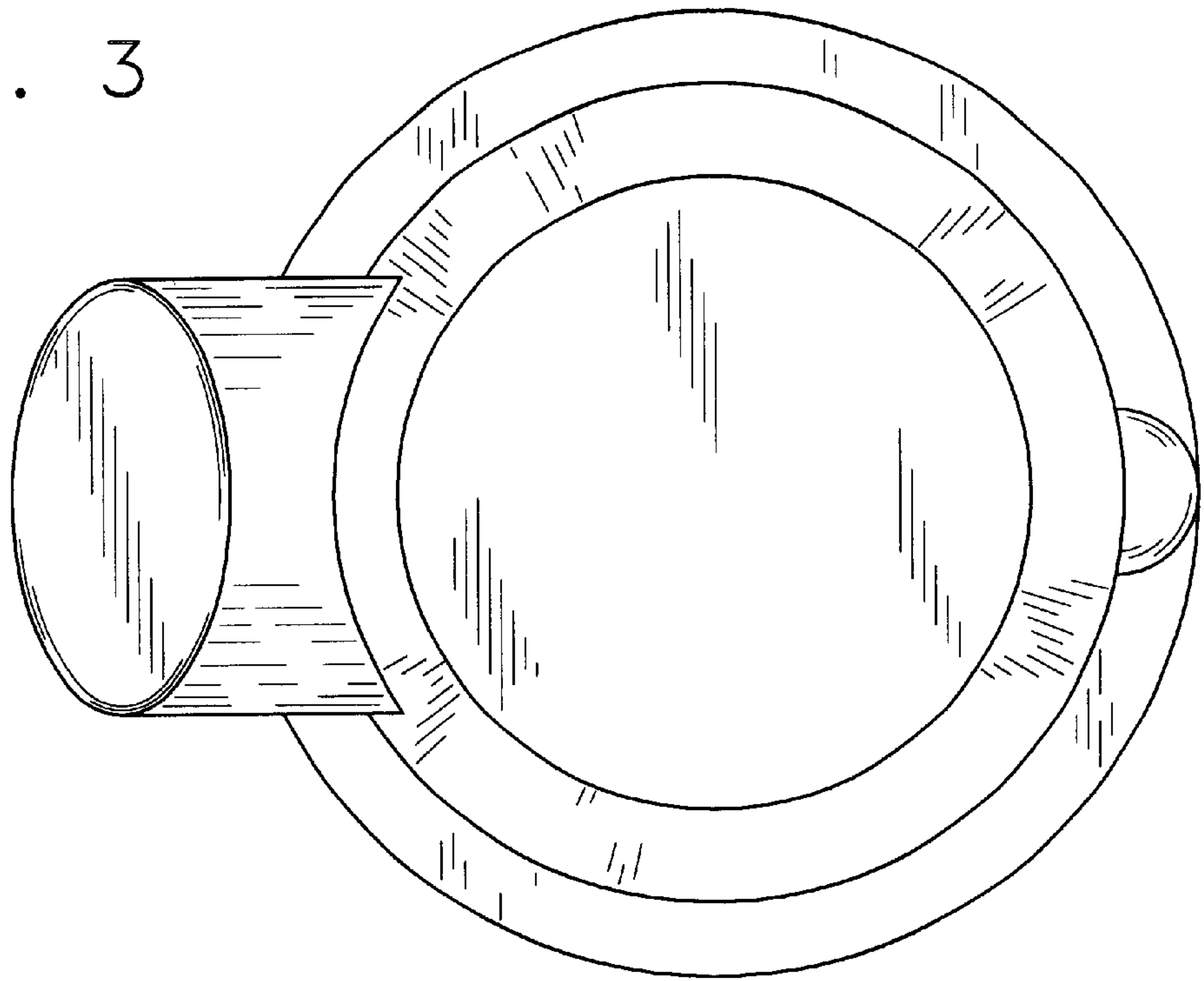


FIG. 4

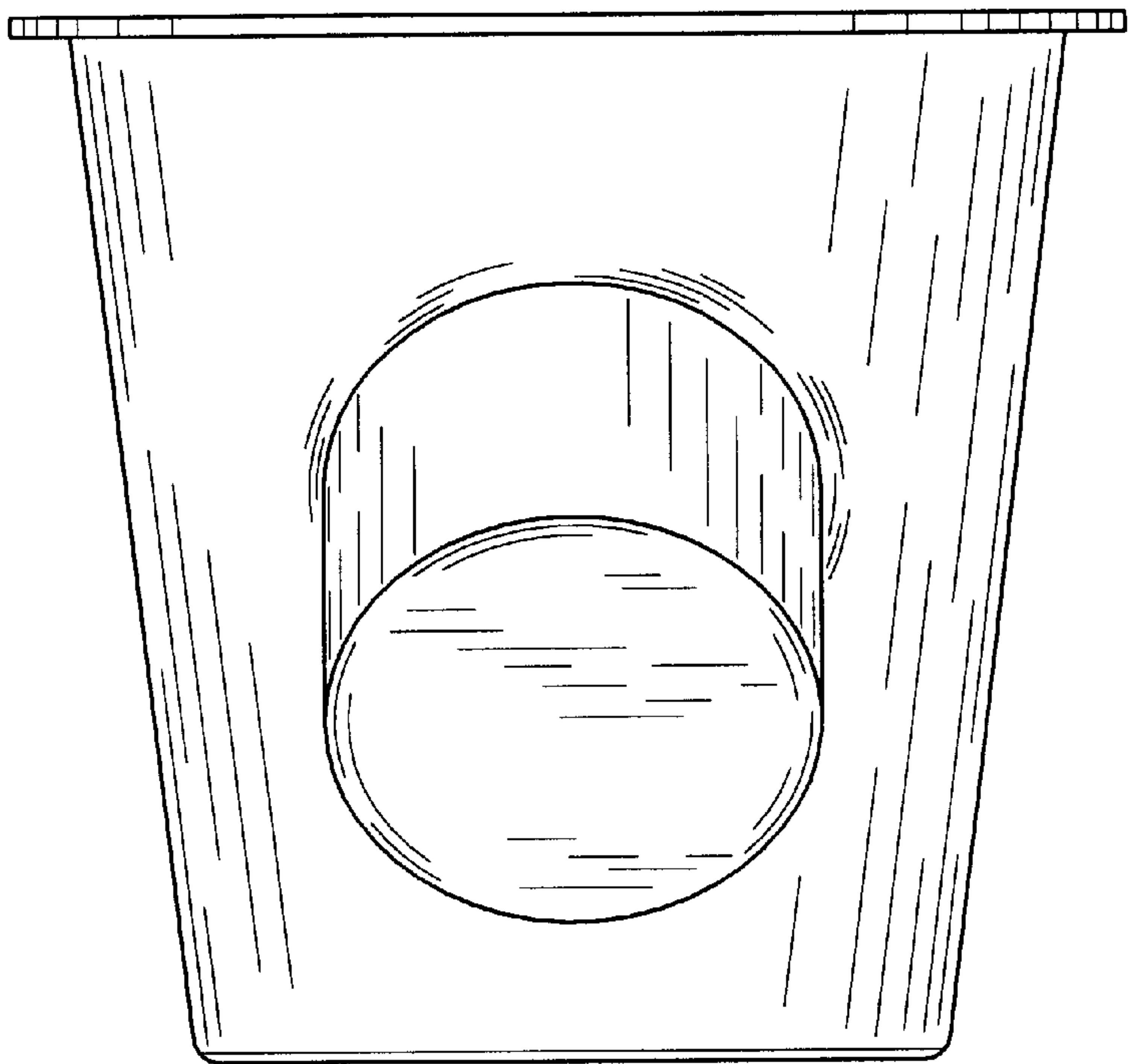


FIG. 5

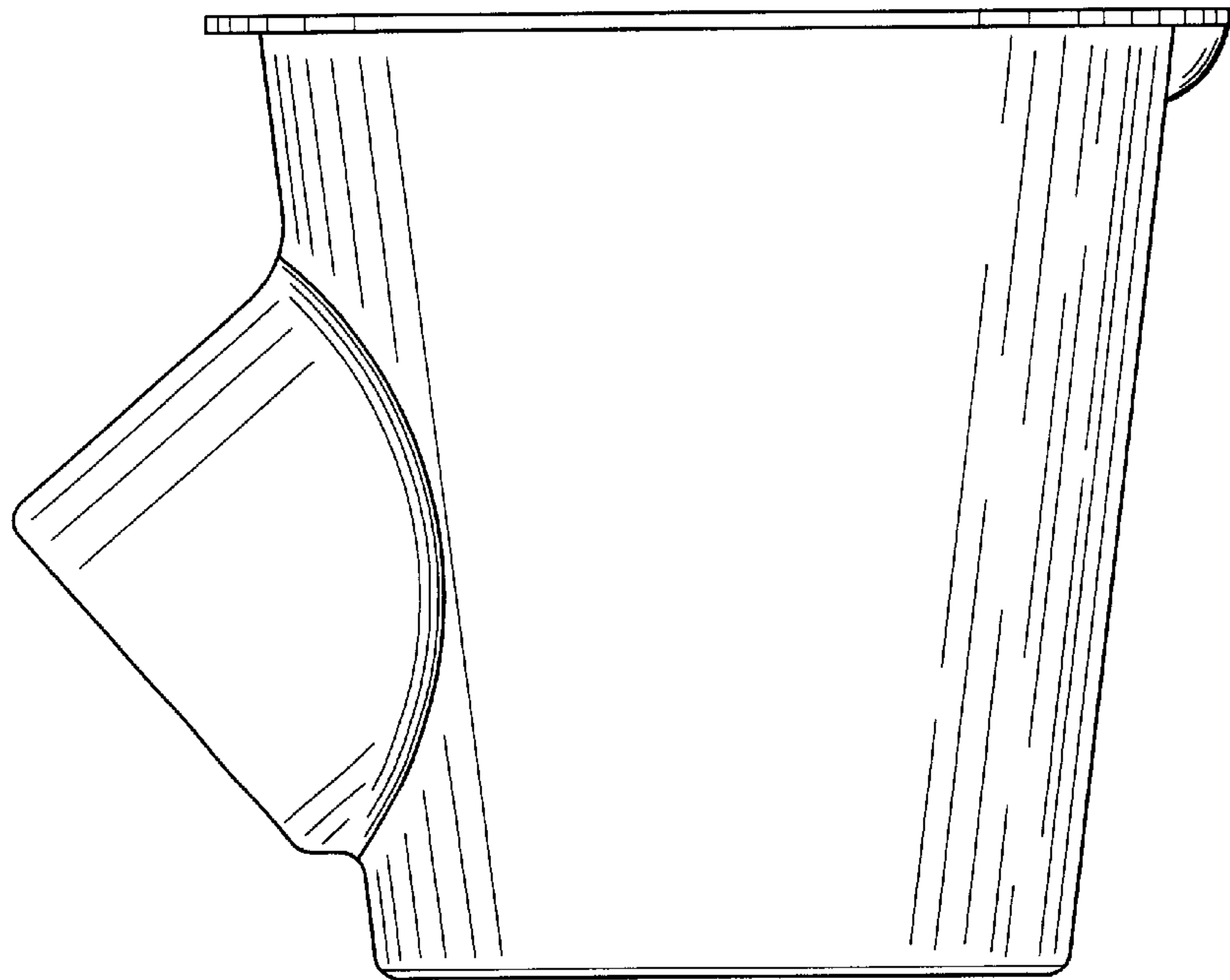


FIG. 6

