



US00D444034S

(12) **United States Design Patent**  
**Miller et al.**

(10) **Patent No.:** **US D444,034 S**

(45) **Date of Patent:** **\*\* Jun. 26, 2001**

(54) **DIVIDED FOOD BOWL**

(75) Inventors: **D. Scott Miller**, Orlando, FL (US);  
**Victor J. J. Cautereels**, Ranst (BE)

(73) Assignee: **Dart Industries Inc.**, Orlando, FL (US)

(\*\*) Term: **14 Years**

(21) Appl. No.: **29/130,640**

(22) Filed: **Oct. 5, 2000**

(51) **LOC (7) Cl.** ..... **07-01**

(52) **U.S. Cl.** ..... **D7/546**

(58) **Field of Search** ..... D7/550.1, 546,  
D7/586, 554.3, 540, 558, 554.4, 500, 587,  
554.2, 555, 566, 601, 602, 641; 206/561,  
562, 564, 538, 511, 508; 220/574, 575,  
212, 605, 23.8, 23.83, 556, 628, 675

(56) **References Cited**

**U.S. PATENT DOCUMENTS**

- D. 185,067 \* 5/1959 Clark, Jr. .... D7/546
- D. 206,547 12/1966 Swett .
- D. 217,490 \* 5/1970 Sweit ..... D7/555
- D. 244,065 4/1977 Daenen .
- D. 269,313 6/1983 Swett et al. .
- D. 283,096 \* 3/1986 Uhrik ..... D7/555

- D. 291,042 7/1987 Fahey et al. .
- D. 367,172 2/1996 Brightbill .
- D. 370,598 \* 6/1996 Koch ..... D7/543
- D. 386,358 \* 11/1997 Pfellsticker ..... D7/555
- 3,391,816 7/1968 Swett .
- 3,545,642 12/1970 Swett .
- 4,346,813 8/1982 Sho et al. .
- 5,065,889 11/1991 Conti .

\* cited by examiner

*Primary Examiner*—Antoine Duval Davis

(74) *Attorney, Agent, or Firm*—Taylor J. Ross

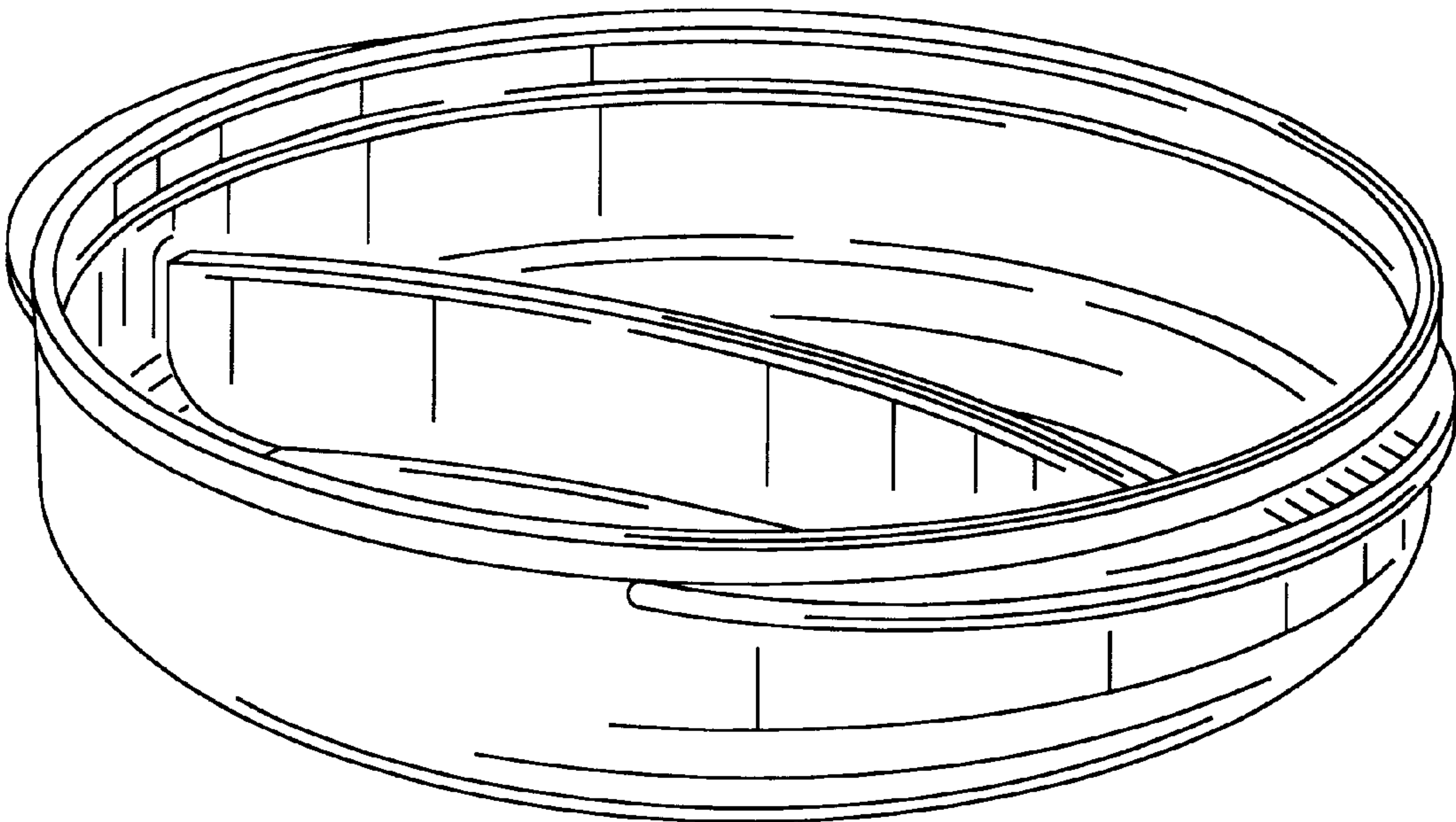
(57) **CLAIM**

The ornamental design for a divided food bowl, as shown and described.

**DESCRIPTION**

FIG. 1 is a top, side and front perspective view of a divided food bowl showing the new design;  
 FIG. 2 is a front elevation view thereof;  
 FIG. 3 is a rear elevation view thereof;  
 FIG. 4 is a right side elevation view thereof;  
 FIG. 5 is a left side elevation view thereof;  
 FIG. 6 is a top plan view thereof; and,  
 FIG. 7 is a bottom plan view thereof.

**1 Claim, 3 Drawing Sheets**



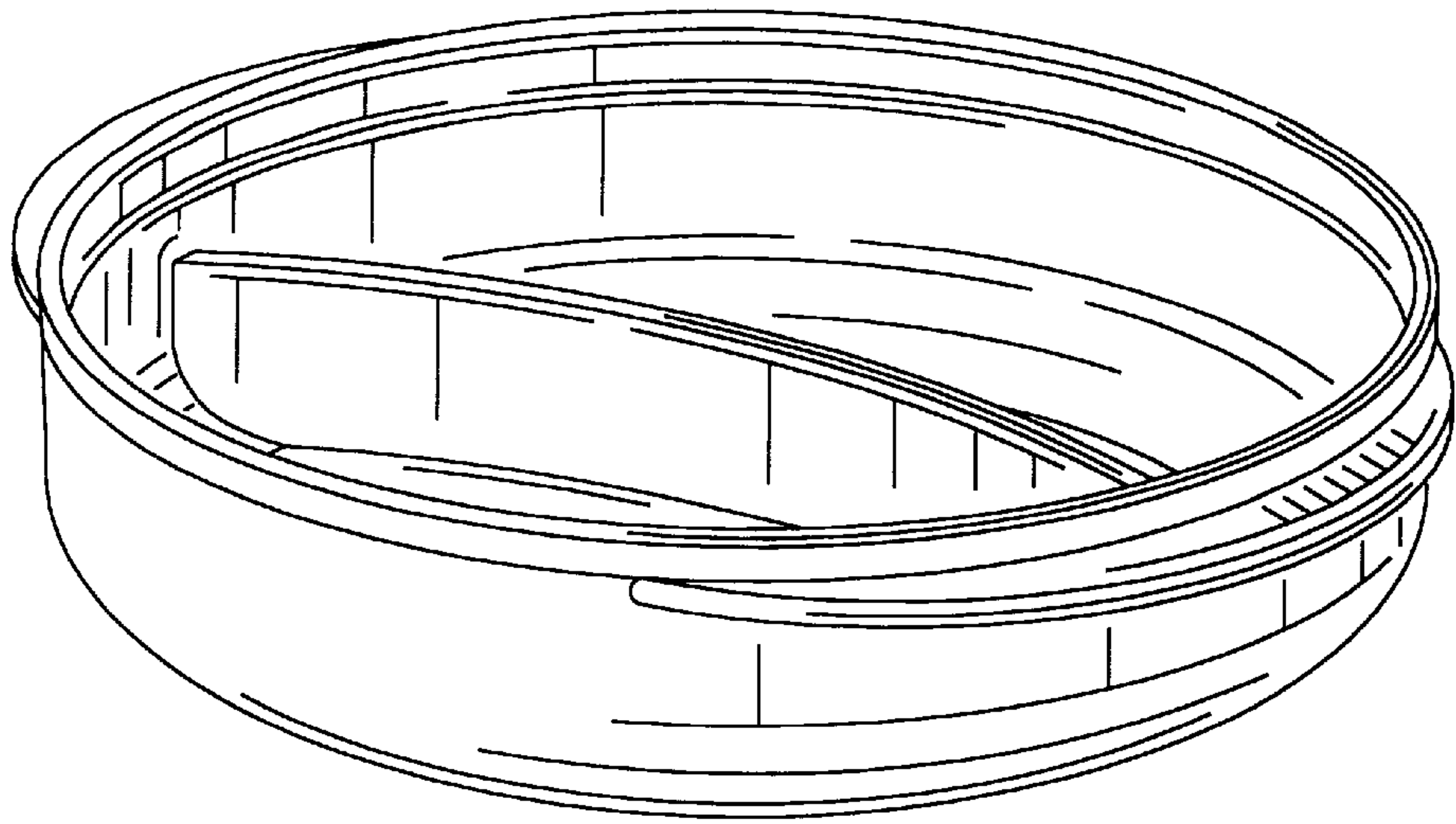


FIG. 1

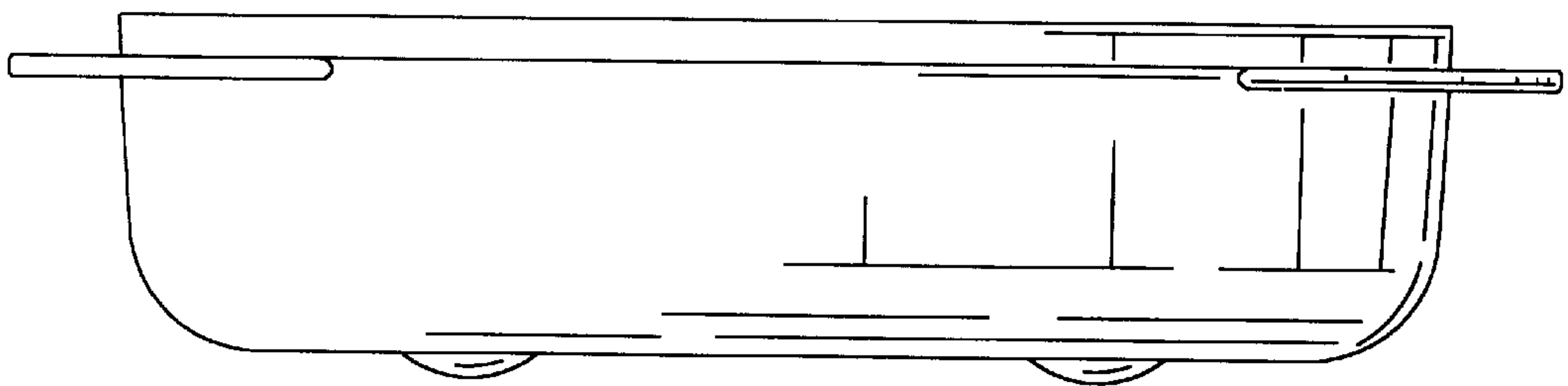


FIG. 2

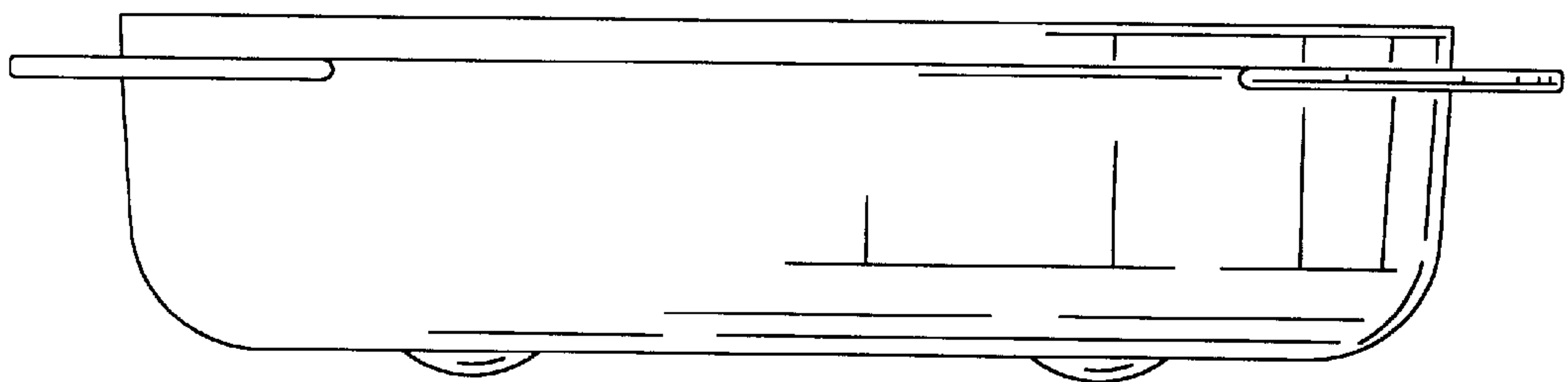


FIG. 3

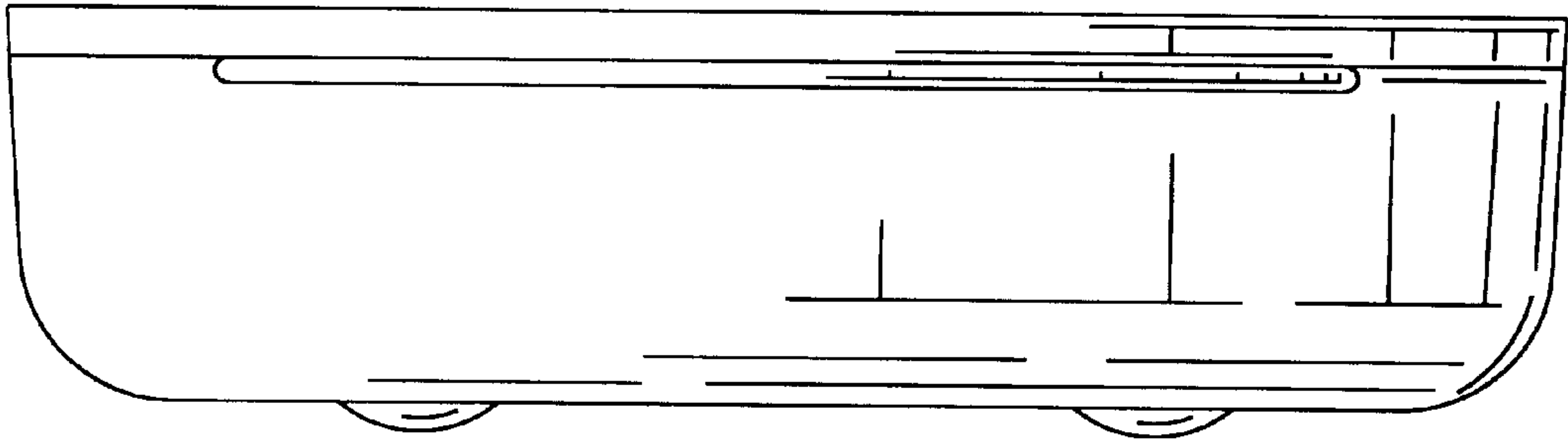


FIG. 4

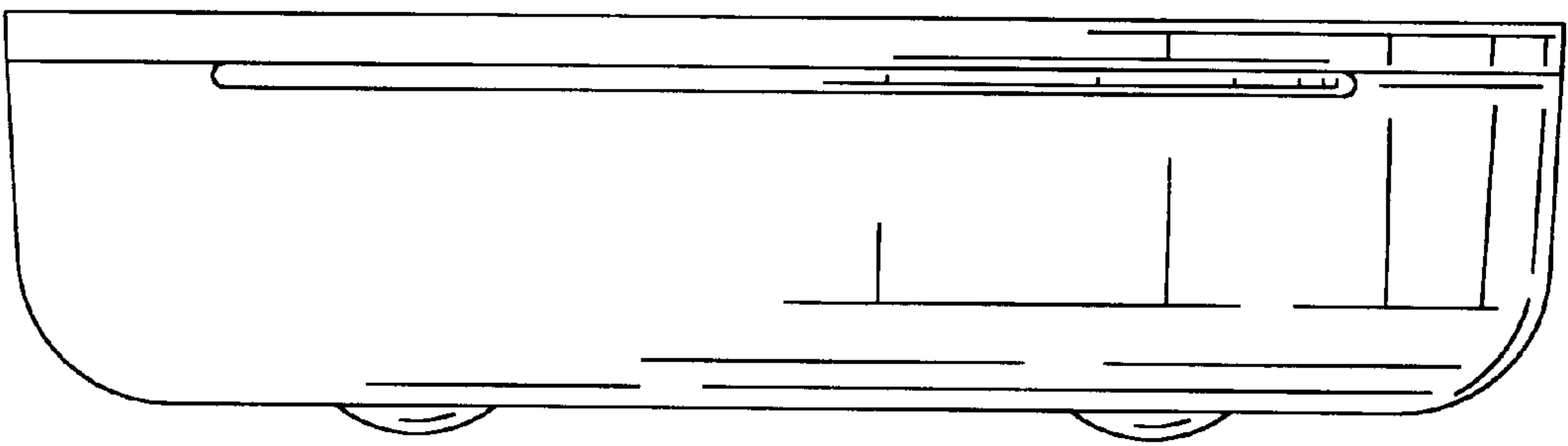


FIG. 5

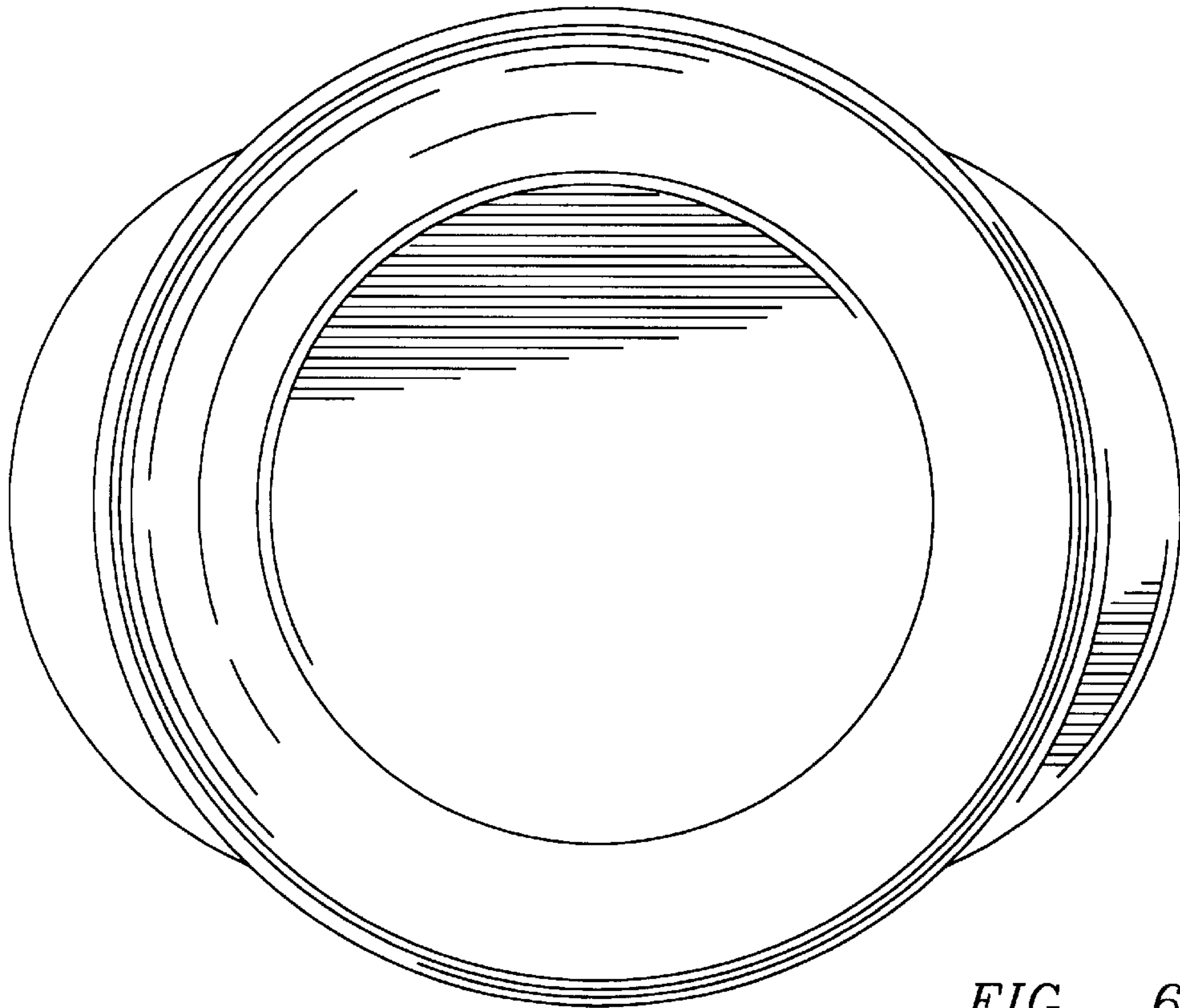


FIG. 6

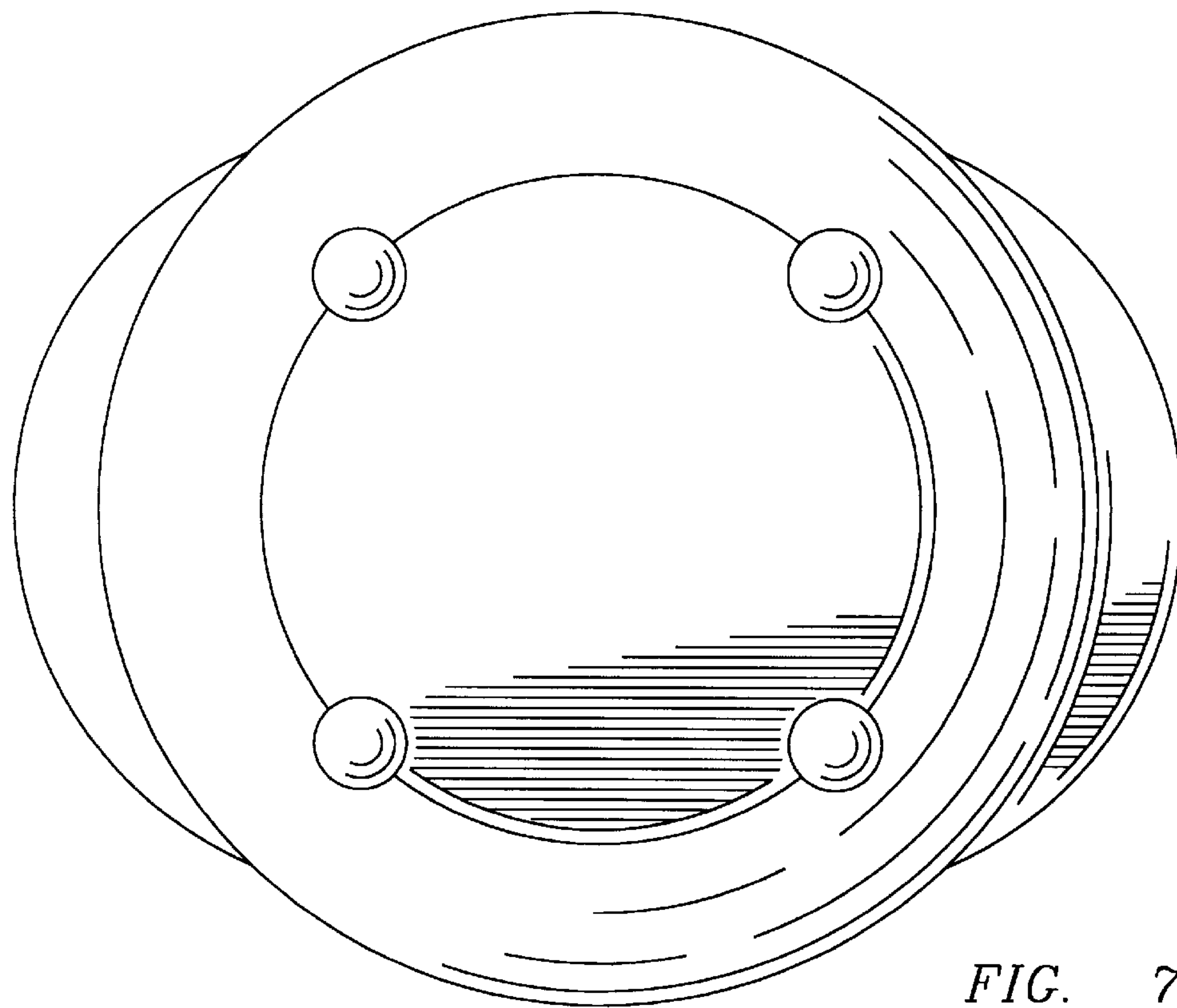


FIG. 7