



US00D444031S

(12) **United States Design Patent**
Levie

(10) **Patent No.:** **US D444,031 S**

(45) **Date of Patent:** **** Jun. 26, 2001**

(54) **HANDLE NECK**

6,006,393 12/1999 Lynch et al. 15/144

(75) Inventor: **Mark W. Levie**, Elmira, NY (US)

* cited by examiner

(73) Assignee: **World Kitchen, Inc.**, Elmira, NY (US)

Primary Examiner—Caron D. Veynar

(**) Term: **14 Years**

(74) *Attorney, Agent, or Firm*—Wolf, Greenfield & Sacks P.C.

(21) Appl. No.: **29/122,171**

(57) **CLAIM**

(22) Filed: **Apr. 20, 2000**

The ornamental design for a handle neck, as shown and described.

(51) **LOC (7) Cl.** **07-03**

(52) **U.S. Cl.** **D7/401.2; D7/393**

(58) **Field of Search** D7/653, 669, 688,
D7/691, 401.2, 393, 395; D8/107; 16/110.1,
430, 434; 30/147–150, 322, 324

DESCRIPTION

(56) **References Cited**

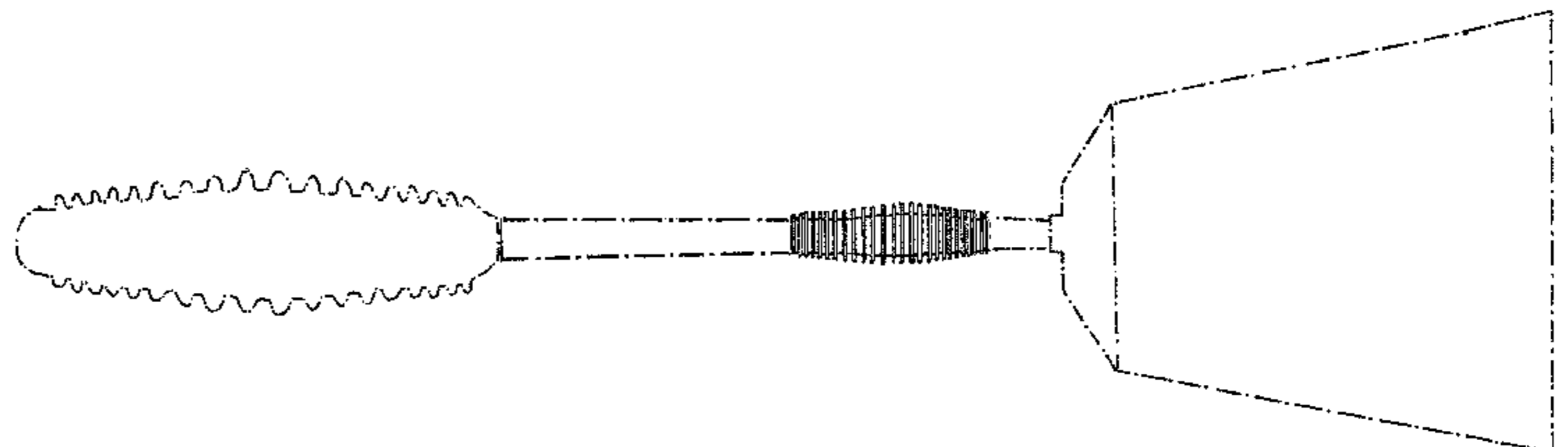
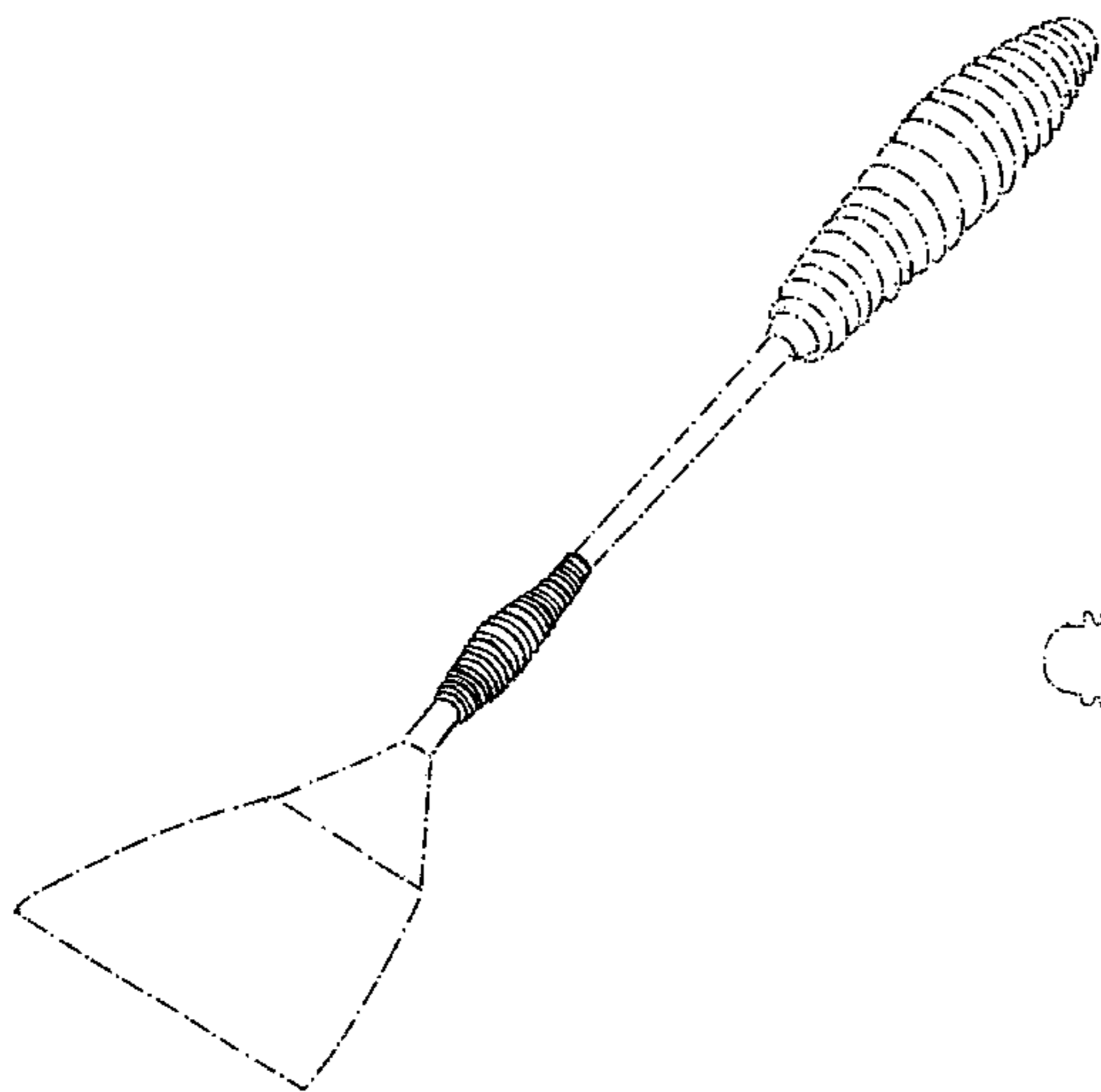
U.S. PATENT DOCUMENTS

561,100	*	6/1896	Fanner et al.	16/434
1,389,102	*	8/1921	Romo, Jr.	294/33
1,627,005	*	5/1927	Allen	220/203.29
2,022,449	*	11/1935	Wolkow	16/434
2,126,201	*	8/1938	McCall	16/434
4,594,816		6/1986	Goldstein	51/393

FIG. 1 is a side, top perspective view of the handle neck showing my new design;
FIG. 2 is a top view thereof;
FIG. 3 is a bottom view thereof;
FIG. 4 is a left side view thereof;
FIG. 5 is a right side view thereof;
FIG. 6 is a rear view thereof; and,
FIG. 7 is a front view thereof.

The broken line showing of a shaft, grip and utensil head in FIGS. 1–7 is for illustrative purposes only and forms no part of the claimed design.

1 Claim, 3 Drawing Sheets



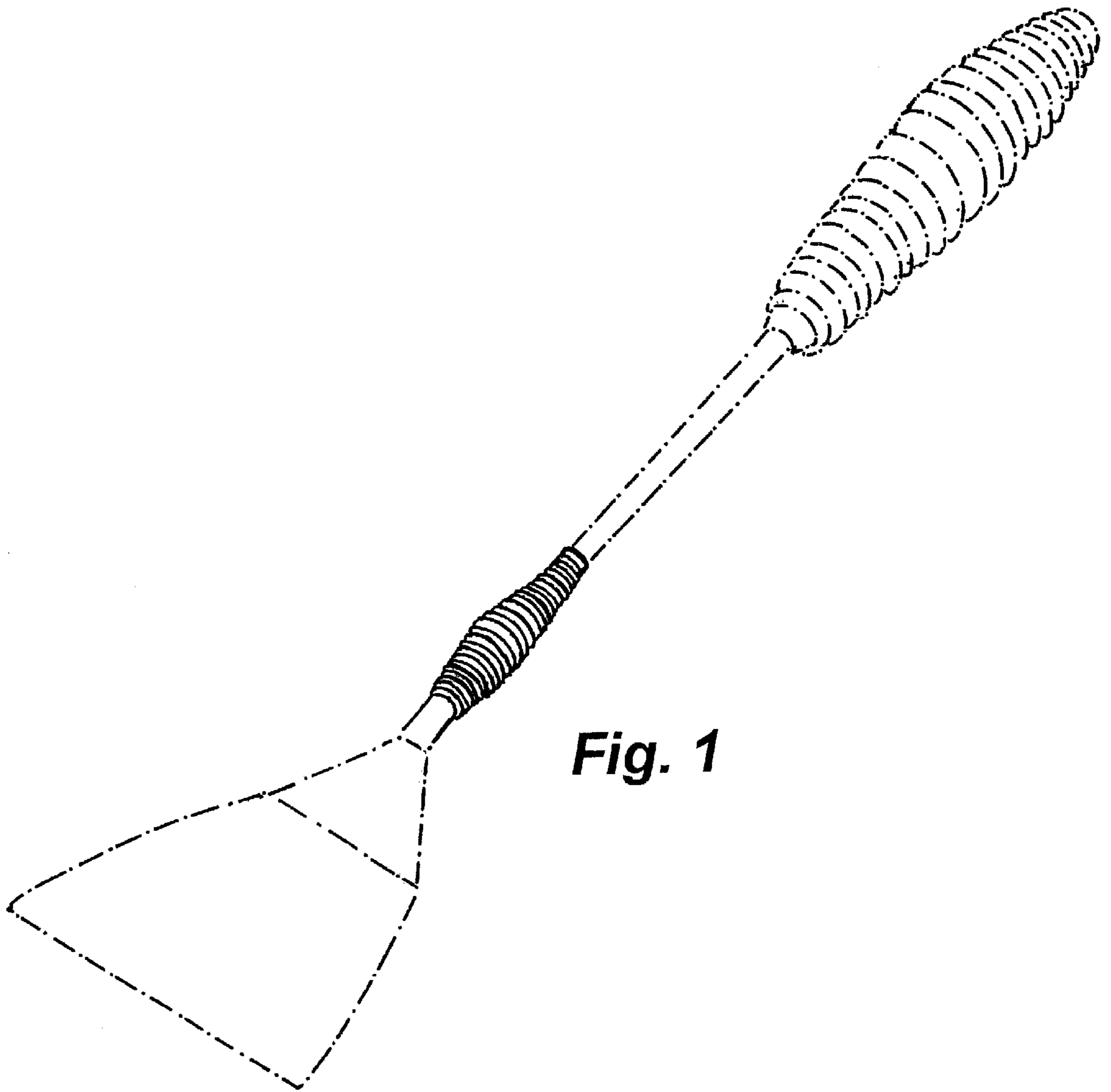


Fig. 1

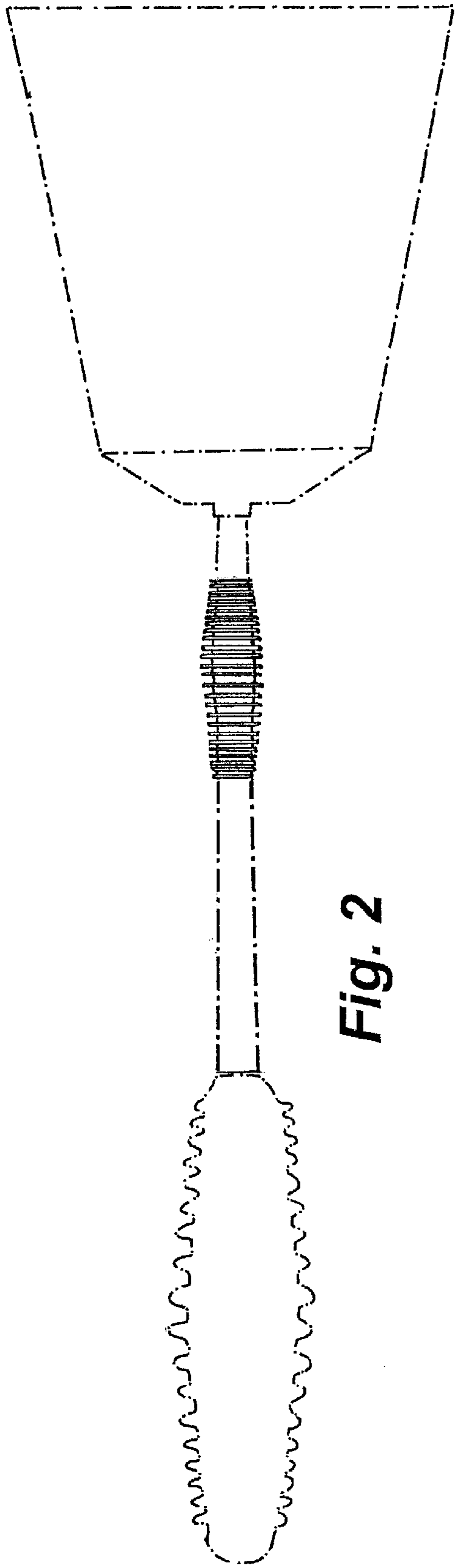


Fig. 2

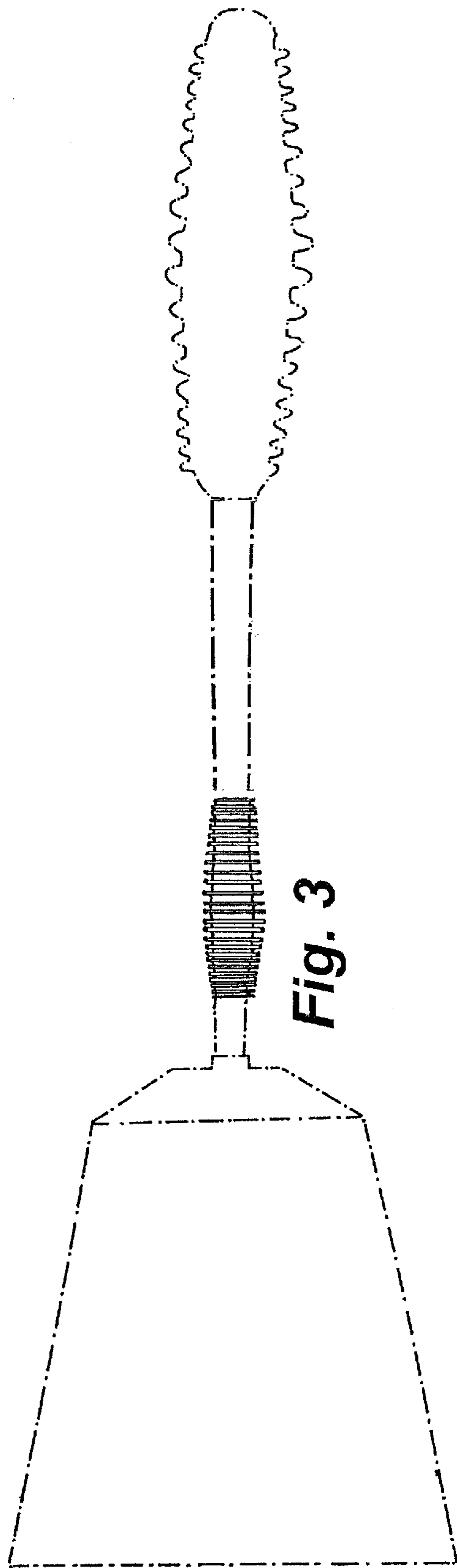


Fig. 3

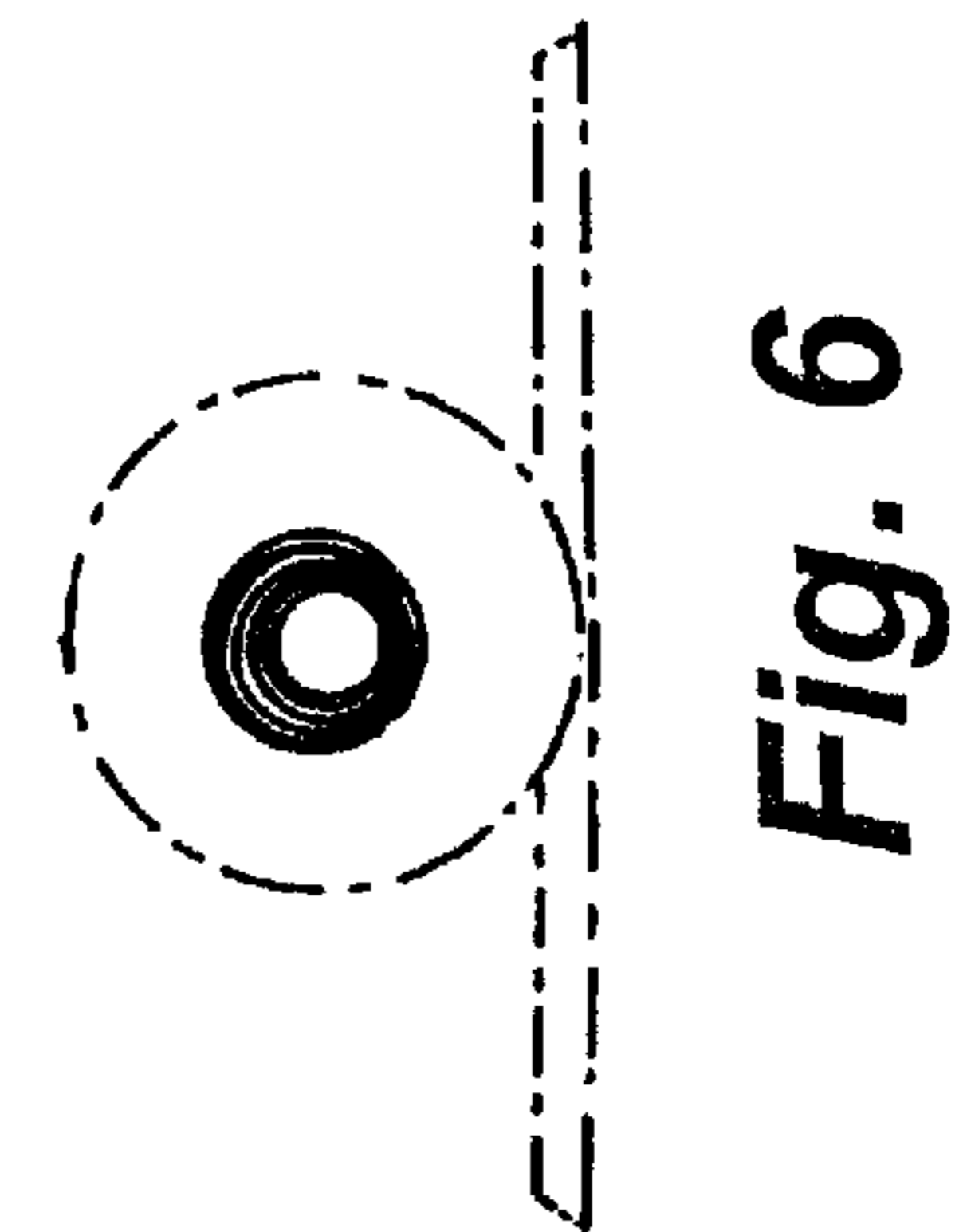
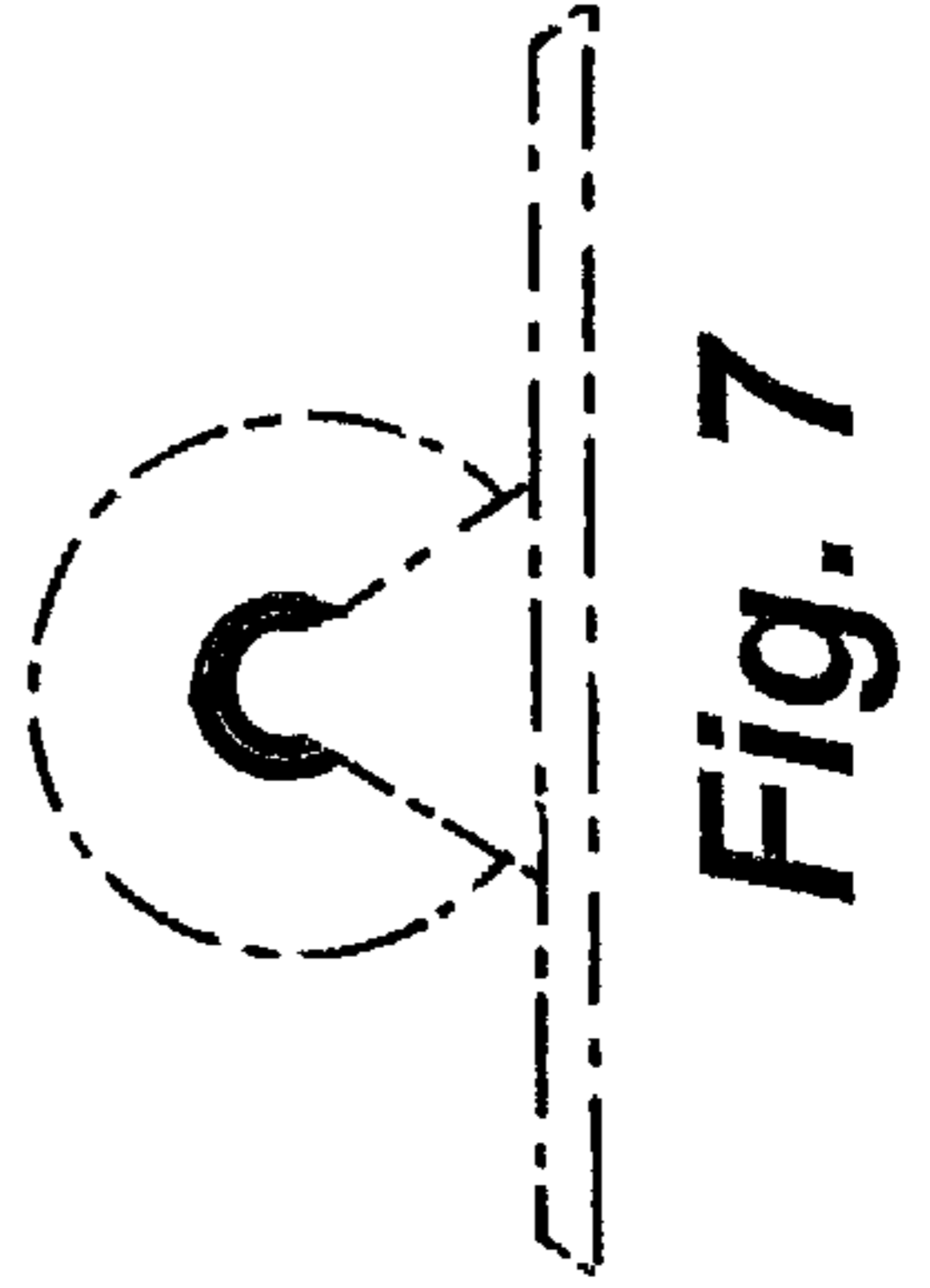
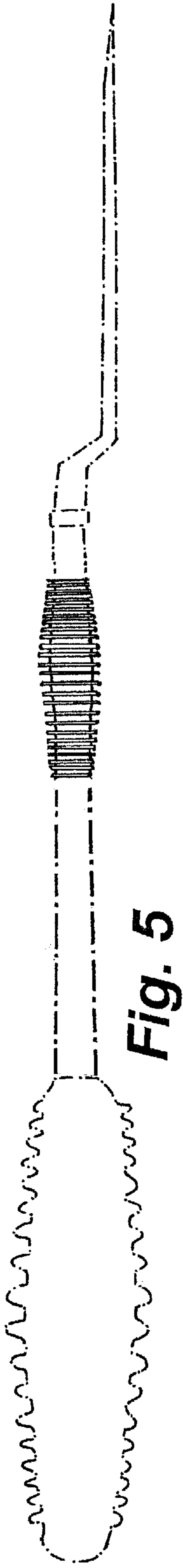
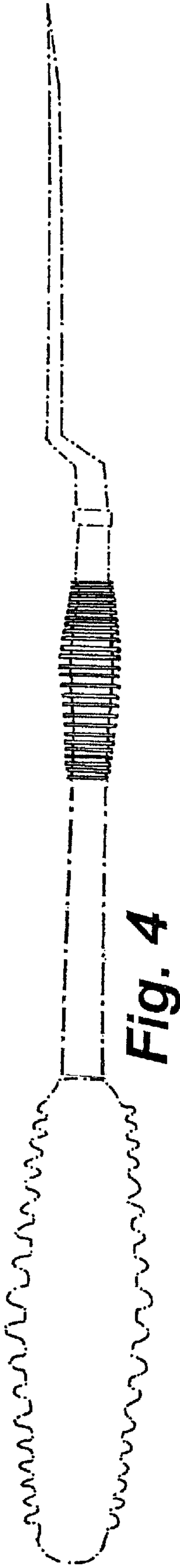


Fig. 4

Fig. 5

Fig. 7

Fig. 6