



US00D444030S

(12) **United States Design Patent**
Backstrom et al.

(10) **Patent No.:** **US D444,030 S**

(45) **Date of Patent:** **** Jun. 26, 2001**

(54) **UTENSIL HANDLE**

D. 399,699 * 10/1998 Stokes D7/401.2

(75) Inventors: **Mikael Backstrom**, Chicago; **Jeffrey Bull**, Naperville, both of IL (US)

* cited by examiner

(73) Assignee: **Wilton Industries, Inc.**, Woodridge, IL (US)

Primary Examiner—Caron D. Veynar

(74) *Attorney, Agent, or Firm*—Piper Marbury Rudnick & Wolfe

(**) Term: **14 Years**

(57) **CLAIM**

The ornamental design for a utensil handle, as shown.

(21) Appl. No.: **29/116,101**

DESCRIPTION

(22) Filed: **Dec. 28, 1999**

(51) **LOC (7) Cl.** **07-02**

(52) **U.S. Cl.** **D7/401.2; D7/393**

(58) **Field of Search** D7/642, 645, 649,
D7/650, 653, 662-664, 401.2, 393, 395,
688; D8/107; 16/110.1, 430, 431; 30/147-150,
322, 324, 340, 345

FIG. 1 is a perspective view of the utensil handle of the invention;

FIG. 2 is a side elevational view thereof, the opposite side of which is an identical mirror image;

FIG. 3 is a top plan view thereof;

FIG. 4 is a bottom plan view thereof; and,

FIG. 5 is a front elevational view thereof.

The broken line showings of a spatula head and shaft portion in FIG. 1 are for illustrative purposes only and form no part of the claimed design.

(56) **References Cited**

U.S. PATENT DOCUMENTS

D. 318,208 * 7/1991 Cosio D7/693

1 Claim, 1 Drawing Sheet

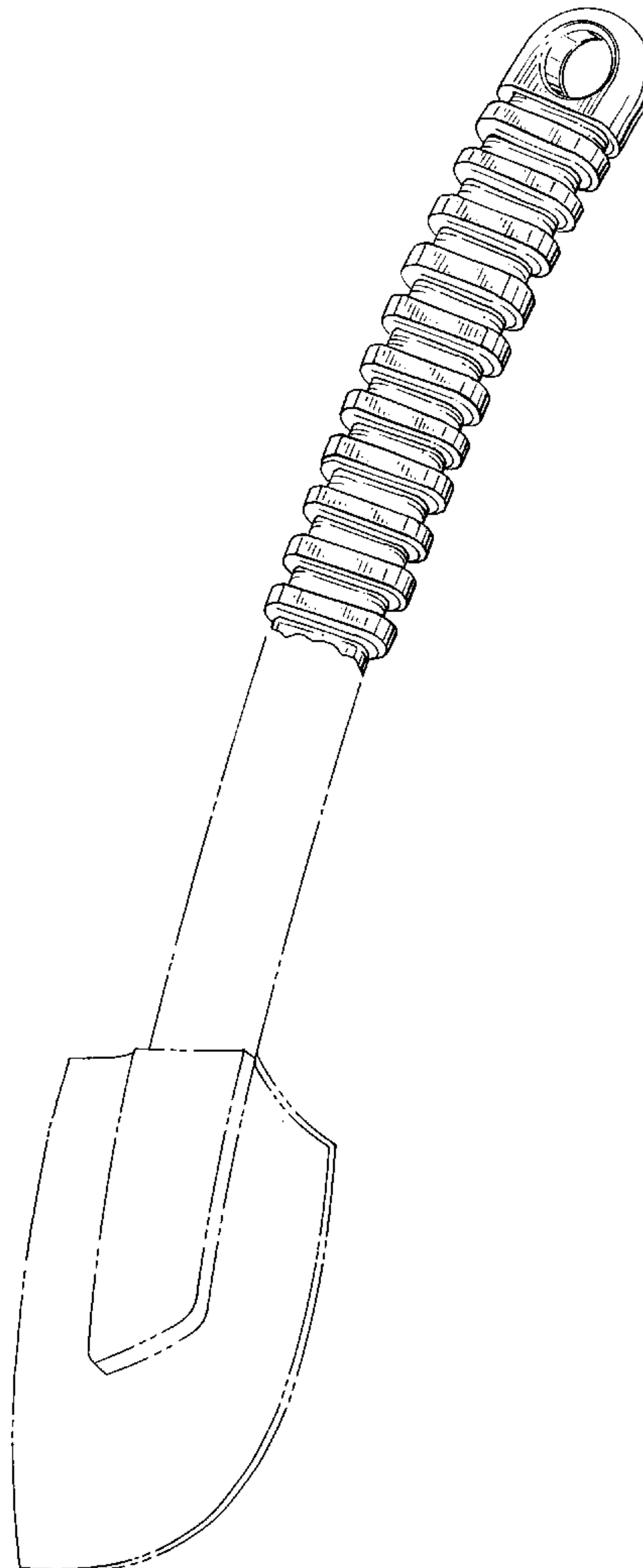


FIG. 1

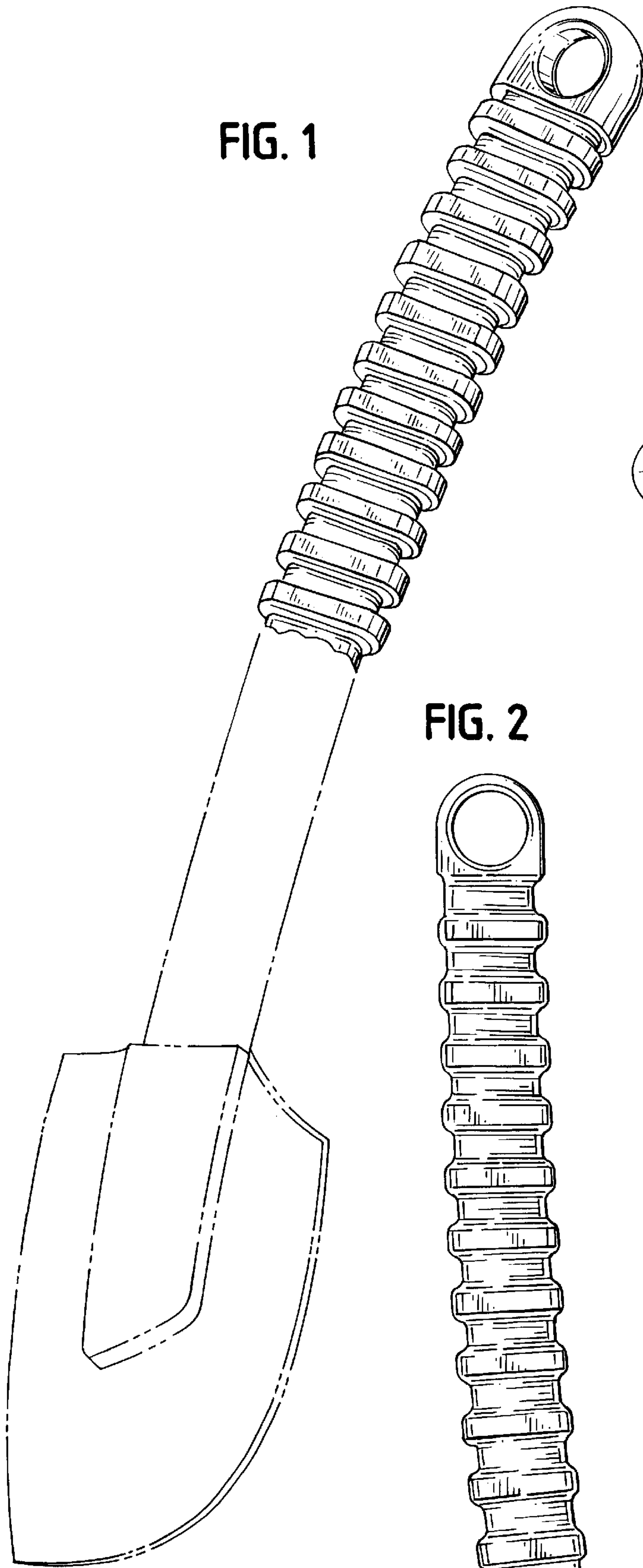


FIG. 5

FIG. 2

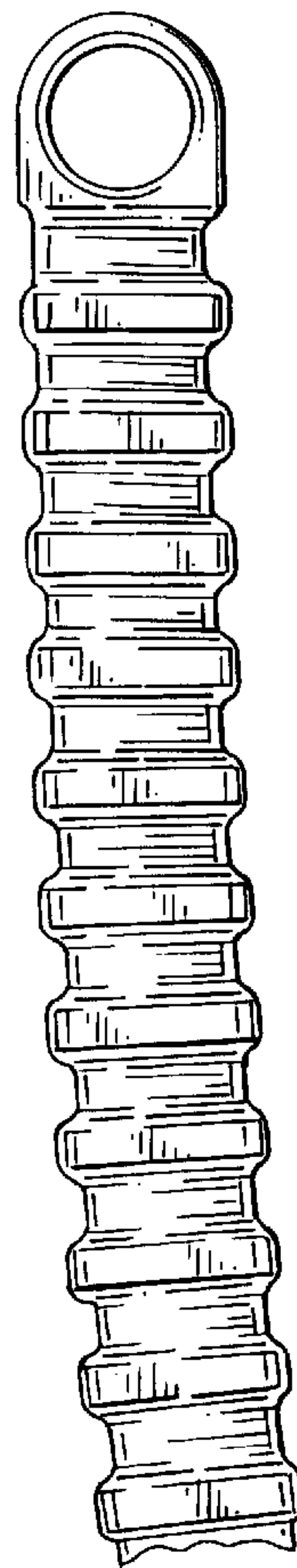


FIG. 3



FIG. 4

