



US00D444027S

(12) **United States Design Patent**
Gilliam et al.

(10) **Patent No.:** **US D444,027 S**

(45) **Date of Patent:** **** Jun. 26, 2001**

(54) **FOOD PRODUCT CONTAINER WITH CLOSURE**

(75) Inventors: **Cheryl M. Gilliam**, Grayslake; **Anne Bucher**, Palatine, both of IL (US)

(73) Assignee: **Kraft Foods Holdings, Inc.**, Northfield, IL (US)

(**) Term: **14 Years**

(21) Appl. No.: **29/123,924**

(22) Filed: **May 26, 2000**

(51) **LOC (7) Cl.** **07-01**

(52) **U.S. Cl.** **D7/392.1**

(58) **Field of Search** D7/392.1, 392, D7/629, 612-615, 538-542; D9/449, 450; 220/780-795, 796-806

(56) **References Cited**

U.S. PATENT DOCUMENTS

D. 219,958	2/1971	Clark .	
D. 276,400	11/1984	Daenen et al. .	
D. 322,219	12/1991	Falco	D9/414
D. 346,720	5/1994	Onneweer	D7/538
D. 351,969	11/1994	Daenen et al.	D7/603
D. 366,418	* 1/1996	Lown et al.	D9/449
D. 381,560	7/1997	Indekeu	D7/538
D. 383,671	9/1997	Phillips	D9/429
D. 395,204	6/1998	Wood	D7/615
D. 407,974	4/1999	Zimmer et al.	D9/428
D. 411,744	* 6/1999	Brach et al.	D9/449 X
D. 416,797	11/1999	Rabe et al.	D9/431
4,898,292	2/1990	VerWeyst et al.	215/237
4,925,041	5/1990	Pehr	215/216

5,133,470	7/1992	Abrams et al.	215/250
5,180,072	1/1993	Oehlert	215/209
5,211,301	5/1993	Groya et al.	215/245
5,358,130	10/1994	Mengeu et al.	215/238
5,582,314	12/1996	Quinn et al.	220/326
5,893,489	4/1999	Giarrante	222/482

* cited by examiner

Primary Examiner—Terry A. Wallace

(74) *Attorney, Agent, or Firm*—Fitch, Even, Tabin & Flannery

(57) **CLAIM**

The ornamental design for a food product container with closure, as shown and described.

DESCRIPTION

FIG. 1 is a perspective view of a food product container with closure showing our new design, the broken lines of the container are for illustrative purposes only and form no part of the claimed design;

FIG. 2 is a top plan view of the embodiment illustrated in FIG. 1;

FIG. 3 is a bottom plan view of the embodiment illustrated in FIG. 1;

FIG. 4 is a front elevational view of the embodiment illustrated in FIG. 1;

FIG. 5 is a rear elevational view of the embodiment illustrated in FIG. 1;

FIG. 6 is a side elevational view of the right side of the embodiment illustrated in FIG. 1; and,

FIG. 7 is a side elevational view of the left side of the embodiment illustrated in FIG. 1.

1 Claim, 3 Drawing Sheets

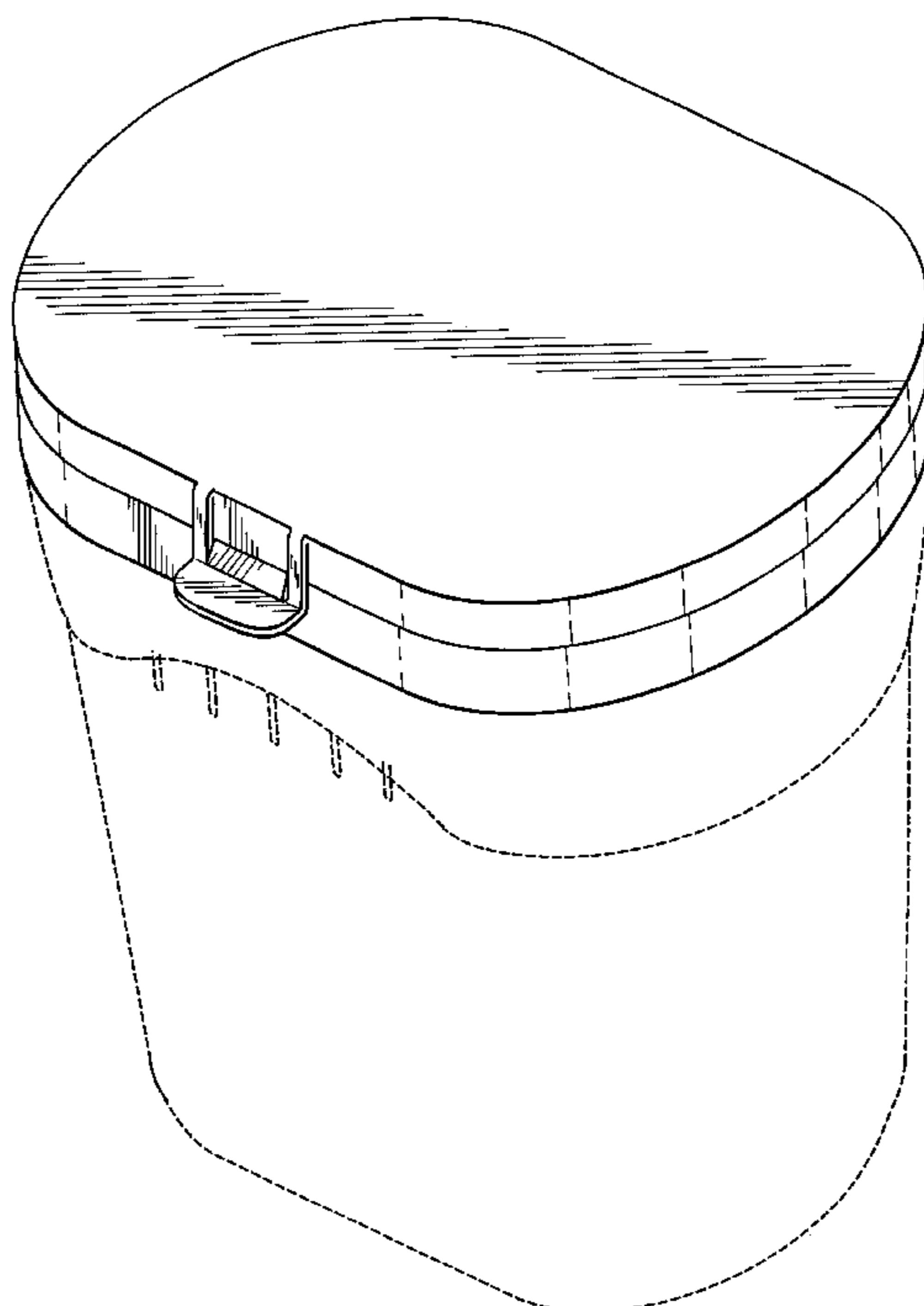


Fig. 1

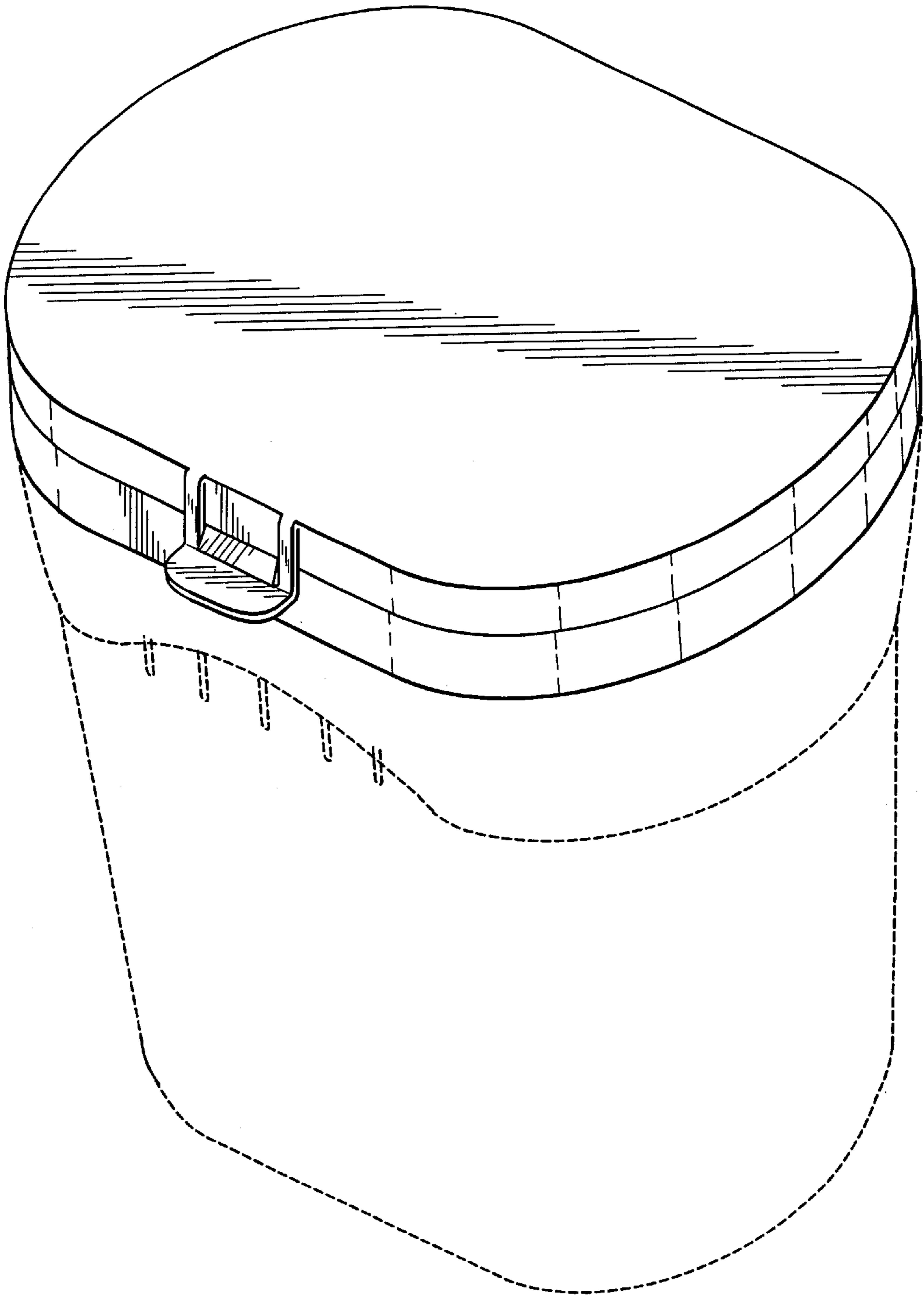


Fig. 2

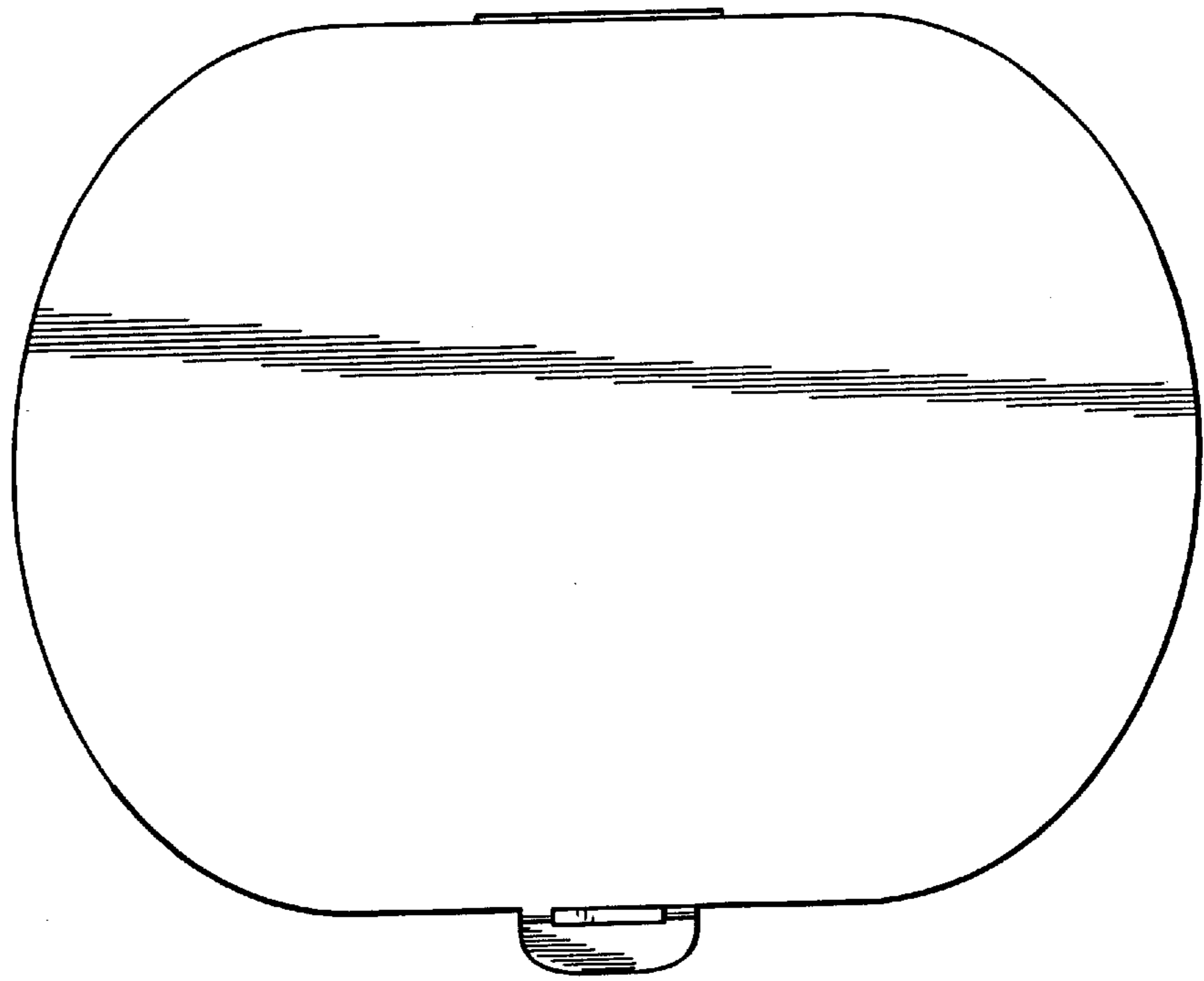


Fig. 3

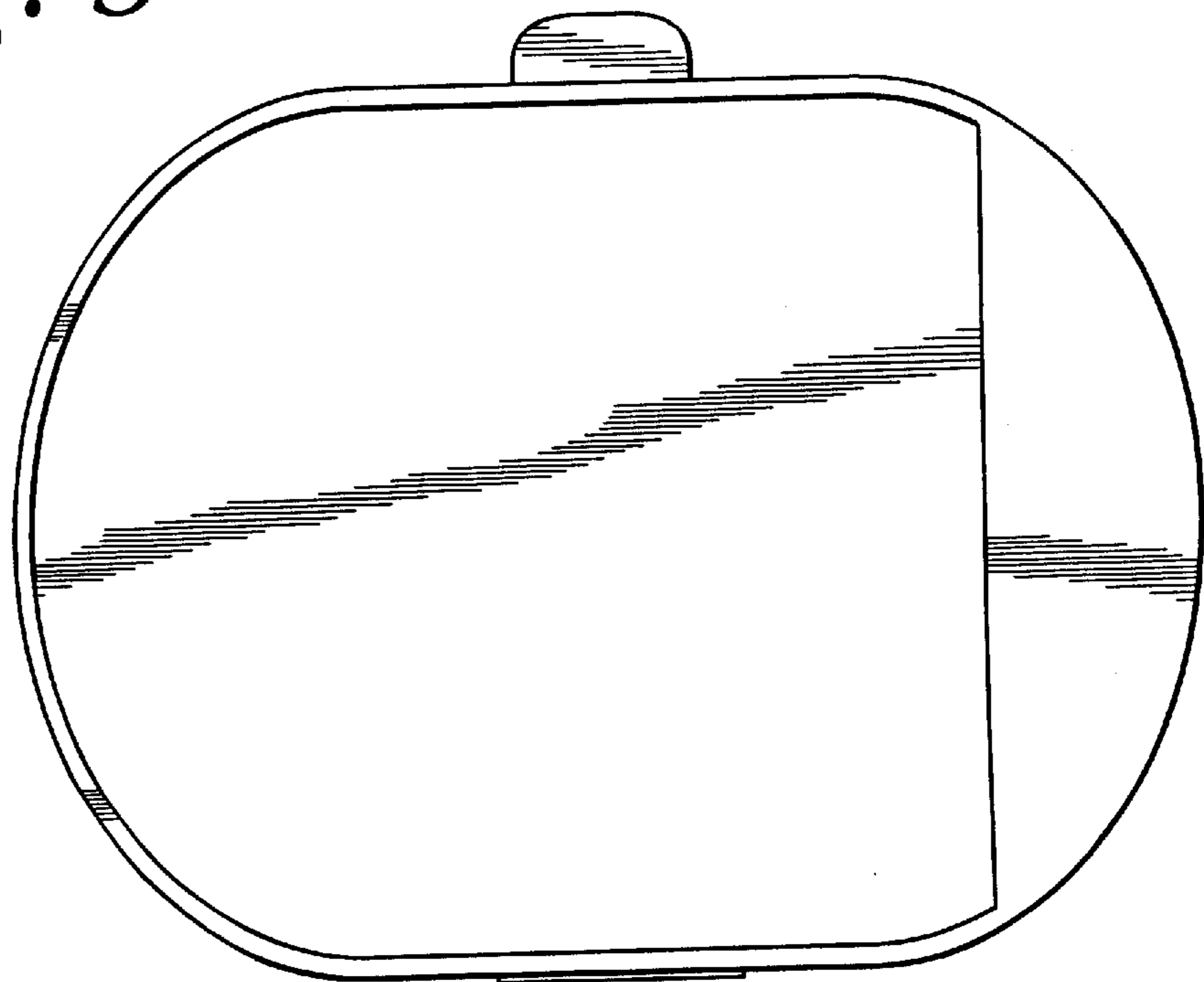


Fig. 4

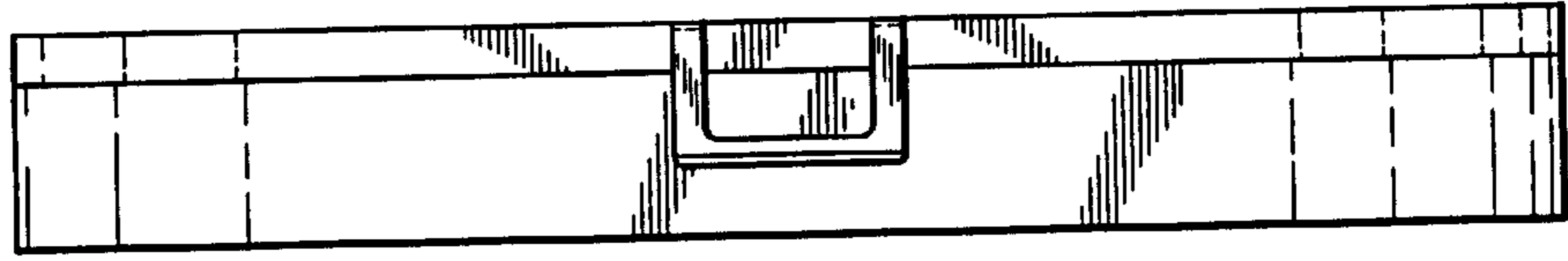


Fig. 5

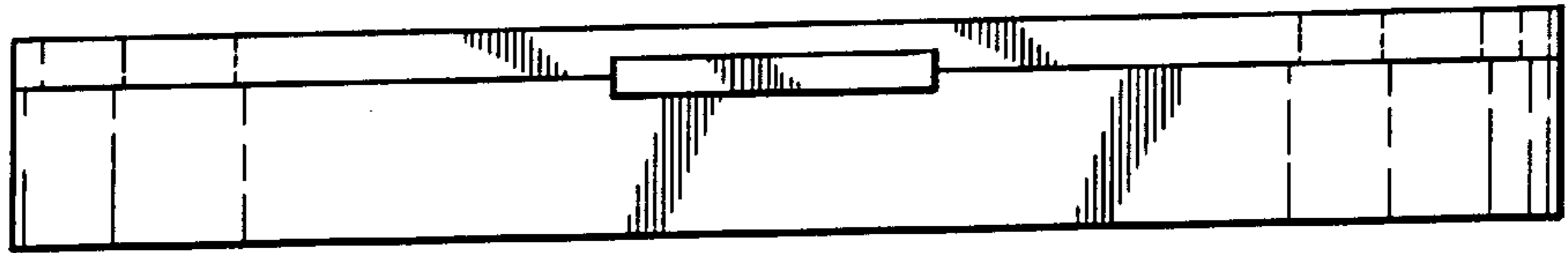


Fig. 6

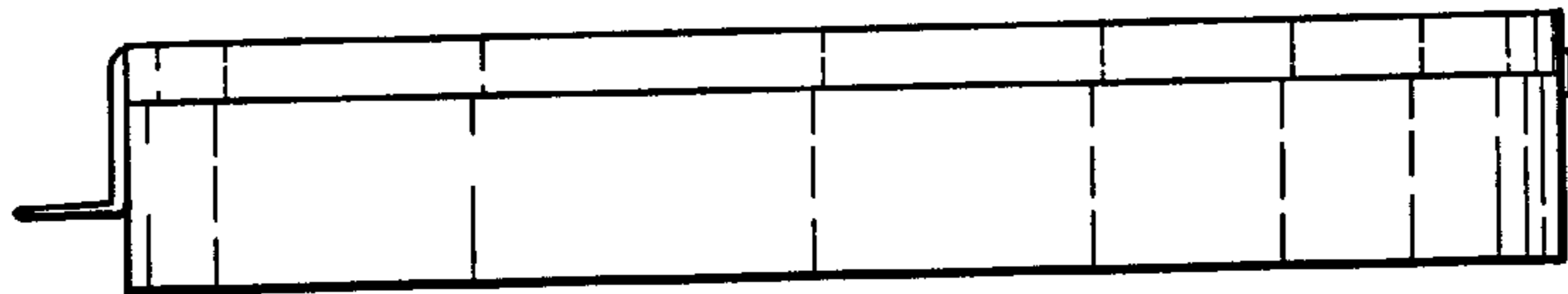


Fig. 7

