



US00D444023S

(12) **United States Design Patent**
Pai

(10) **Patent No.:** **US D444,023 S**

(45) **Date of Patent:** **** Jun. 26, 2001**

(54) **GRILL**

(76) Inventor: **Lucas Pai**, No. 124, Ying-Hua Rd.,
Hsitun Dist., Taichung (TW)

(**) Term: **14 Years**

(21) Appl. No.: **29/125,150**

(22) Filed: **Jun. 19, 2000**

(30) **Foreign Application Priority Data**

Apr. 20, 2000 (TW) 089302635

(51) **LOC (7) Cl.** **07-02**

(52) **U.S. Cl.** **D7/337**

(58) **Field of Search** D7/332-337, 402,
D7/407; 126/25 R, 25 B, 41 R, 39 R, 9 R,
38, 44; 99/481-482, 446, 444, 340

(56) **References Cited**

U.S. PATENT DOCUMENTS

D. 284,929 * 8/1986 Schlosser et al. D7/332
D. 376,510 * 12/1996 Ting D7/332

D. 385,147 * 10/1997 Fielding et al. D7/332
D. 414,980 * 10/1999 Pai D7/337
D. 420,242 * 2/2000 Chiang D7/332
D. 420,546 * 2/2000 Pai D7/332
D. 427,840 * 7/2000 Pai D7/332

* cited by examiner

Primary Examiner—Ruth McInroy

(74) *Attorney, Agent, or Firm*—Varndell & Varndell, PLLC

(57) **CLAIM**

The ornamental design for a grill, as shown.

DESCRIPTION

FIG. 1 is a perspective view of a grill showing my new design;

FIG. 2 is a front elevational view thereof;

FIG. 3 is a rear elevational view thereof;

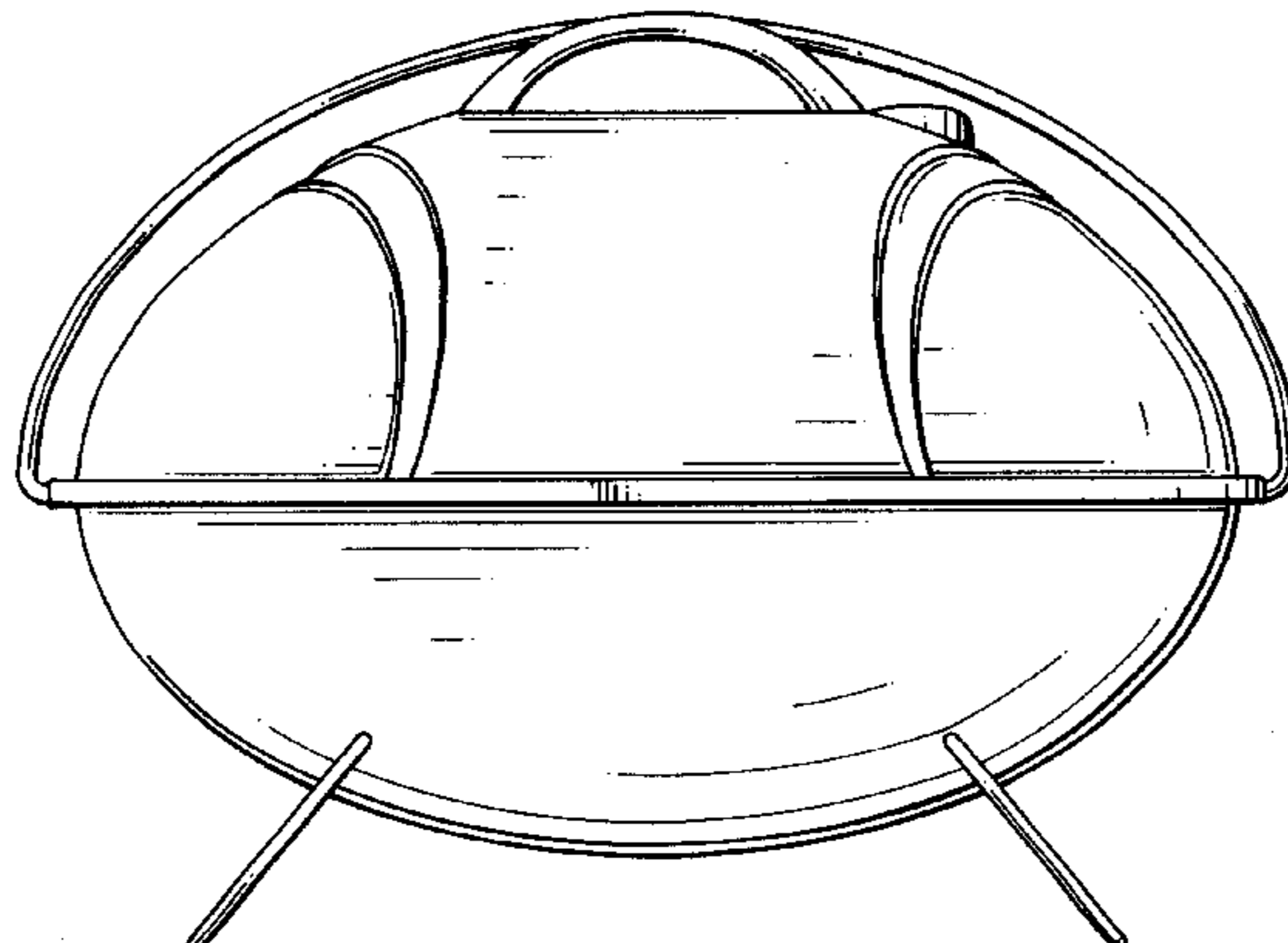
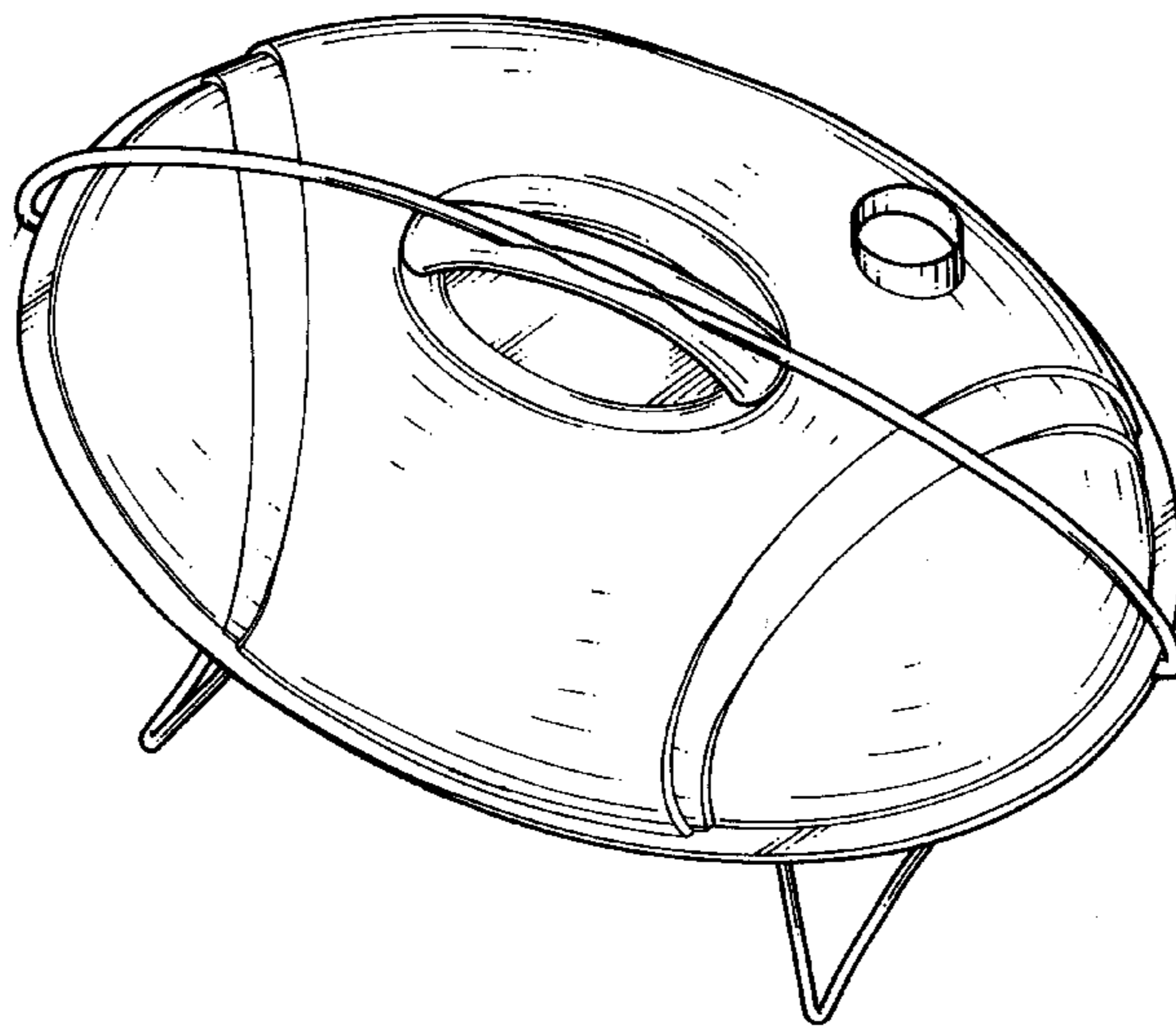
FIG. 4 is a left side view thereof;

FIG. 5 is a right side view thereof;

FIG. 6 is a top plain view thereof; and,

FIG. 7 is a bottom plain view thereof.

1 Claim, 4 Drawing Sheets



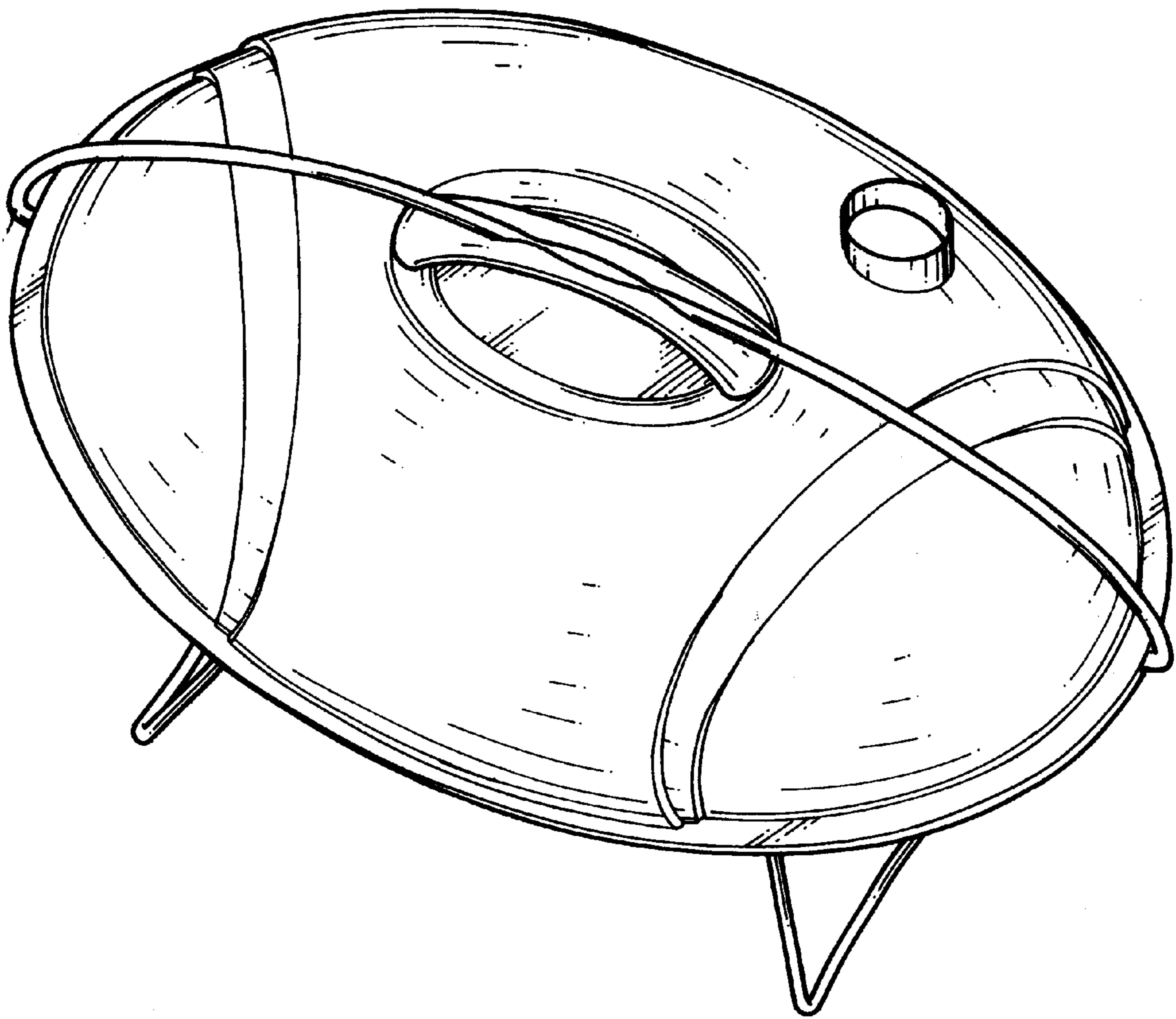


FIG. 1

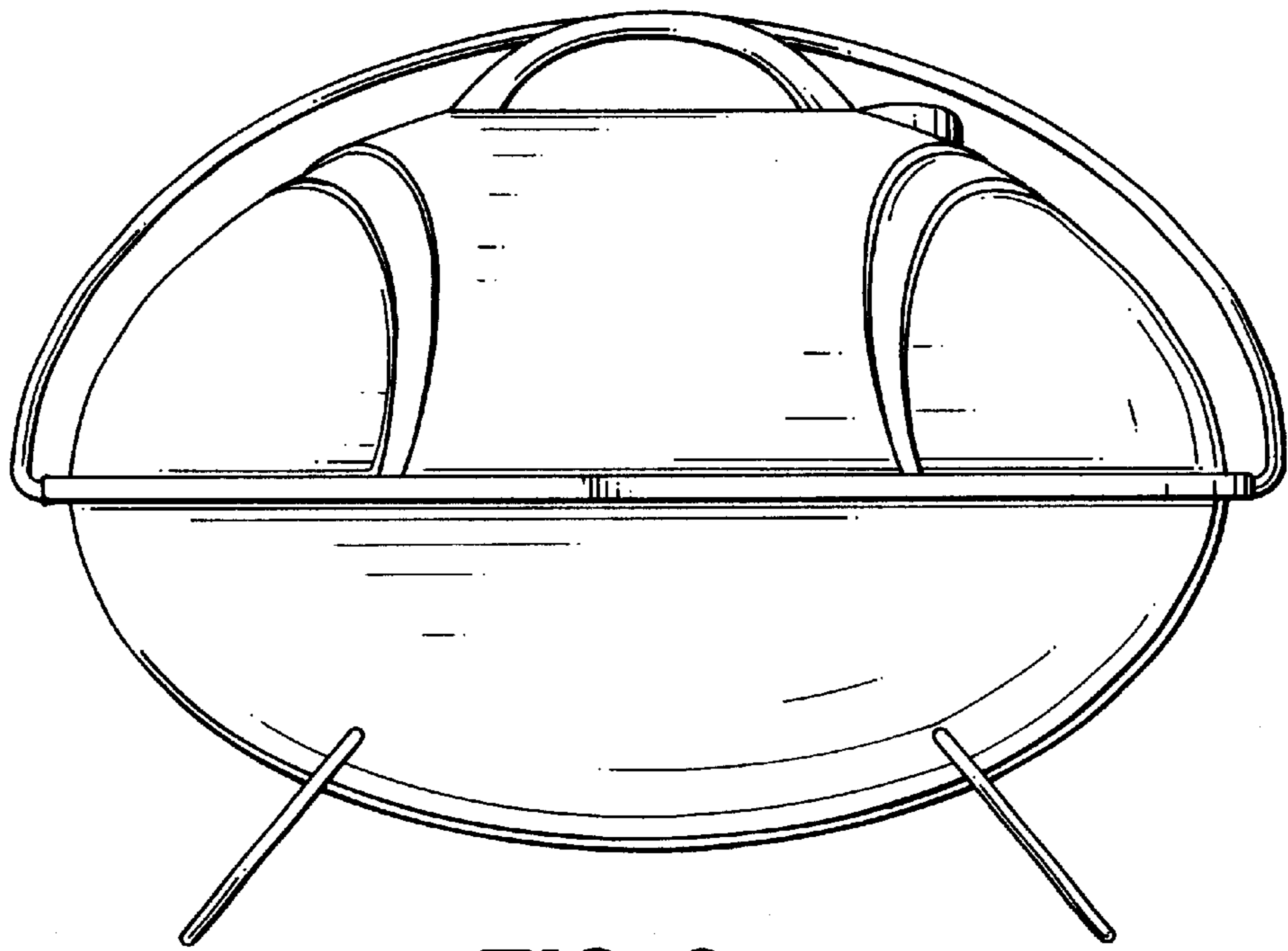


FIG. 2

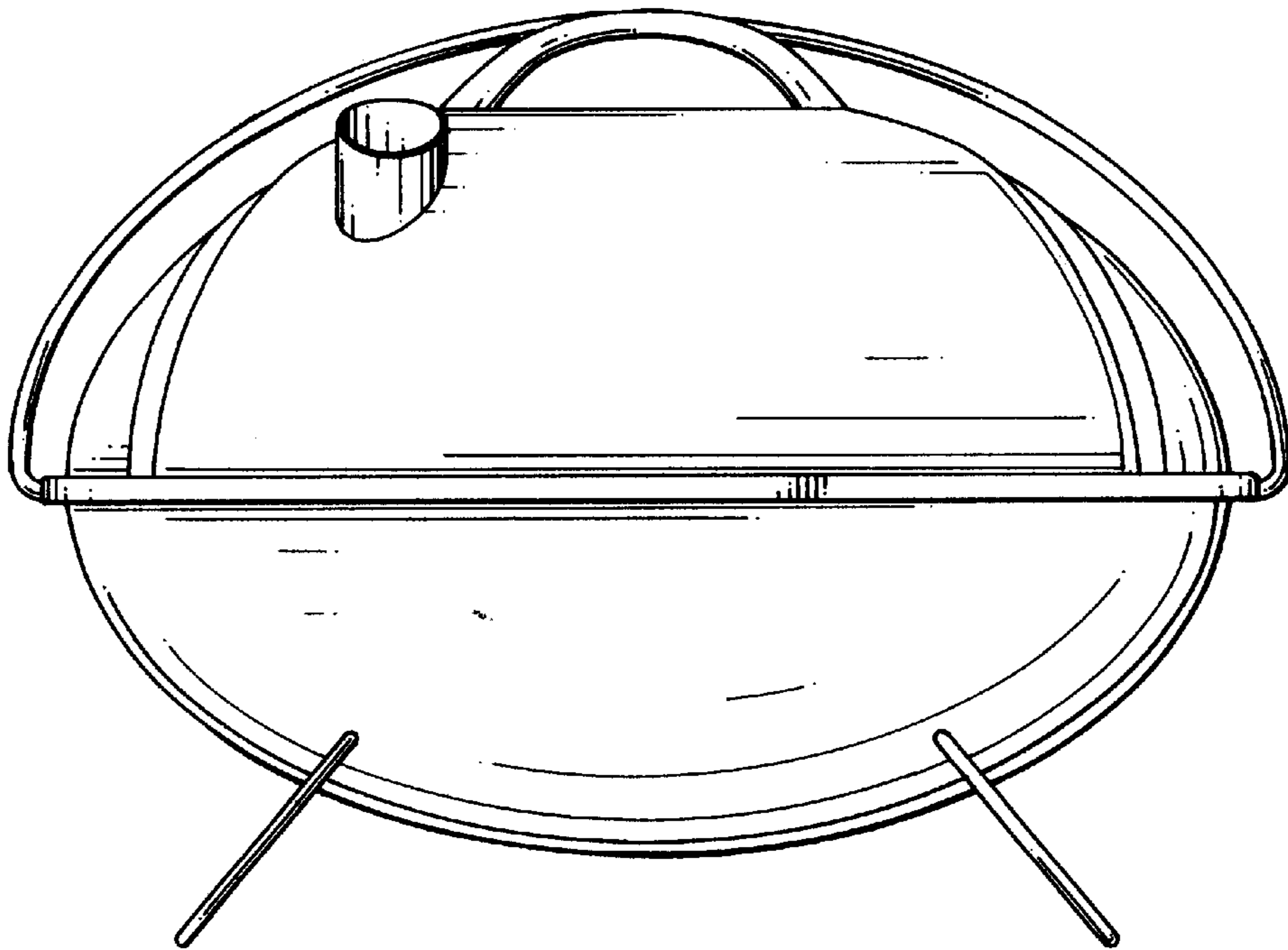


FIG. 3

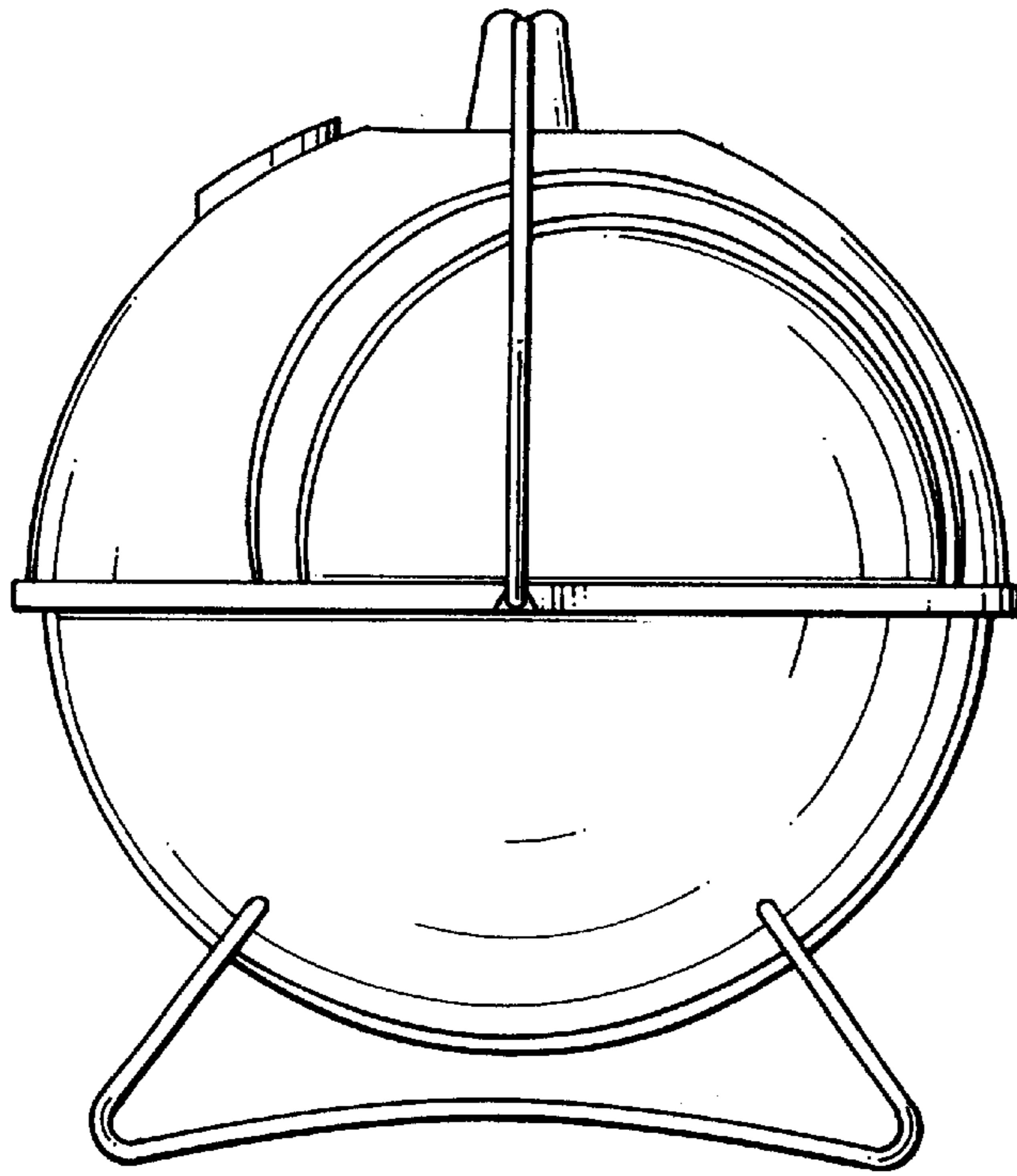


FIG. 4

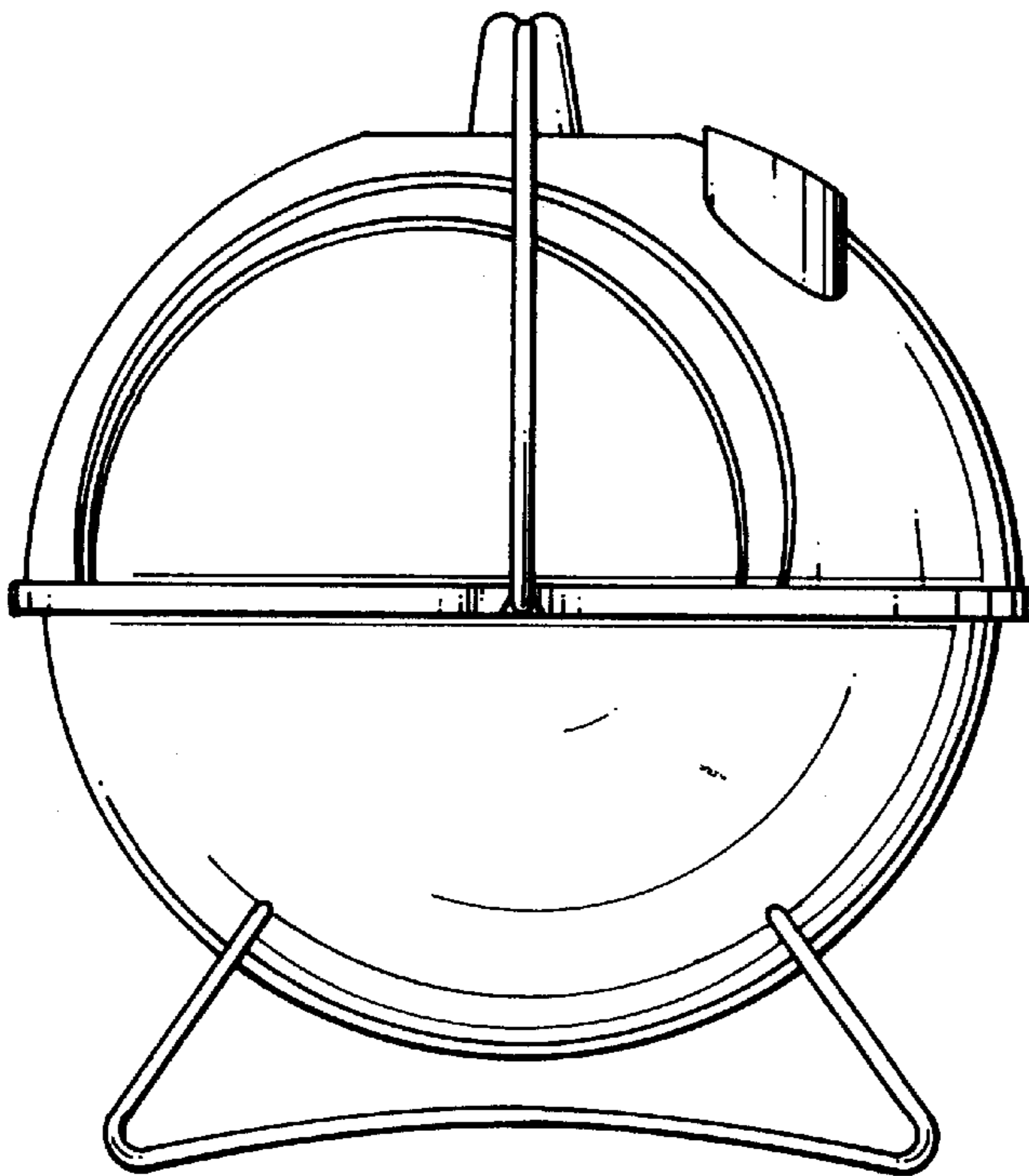


FIG. 5

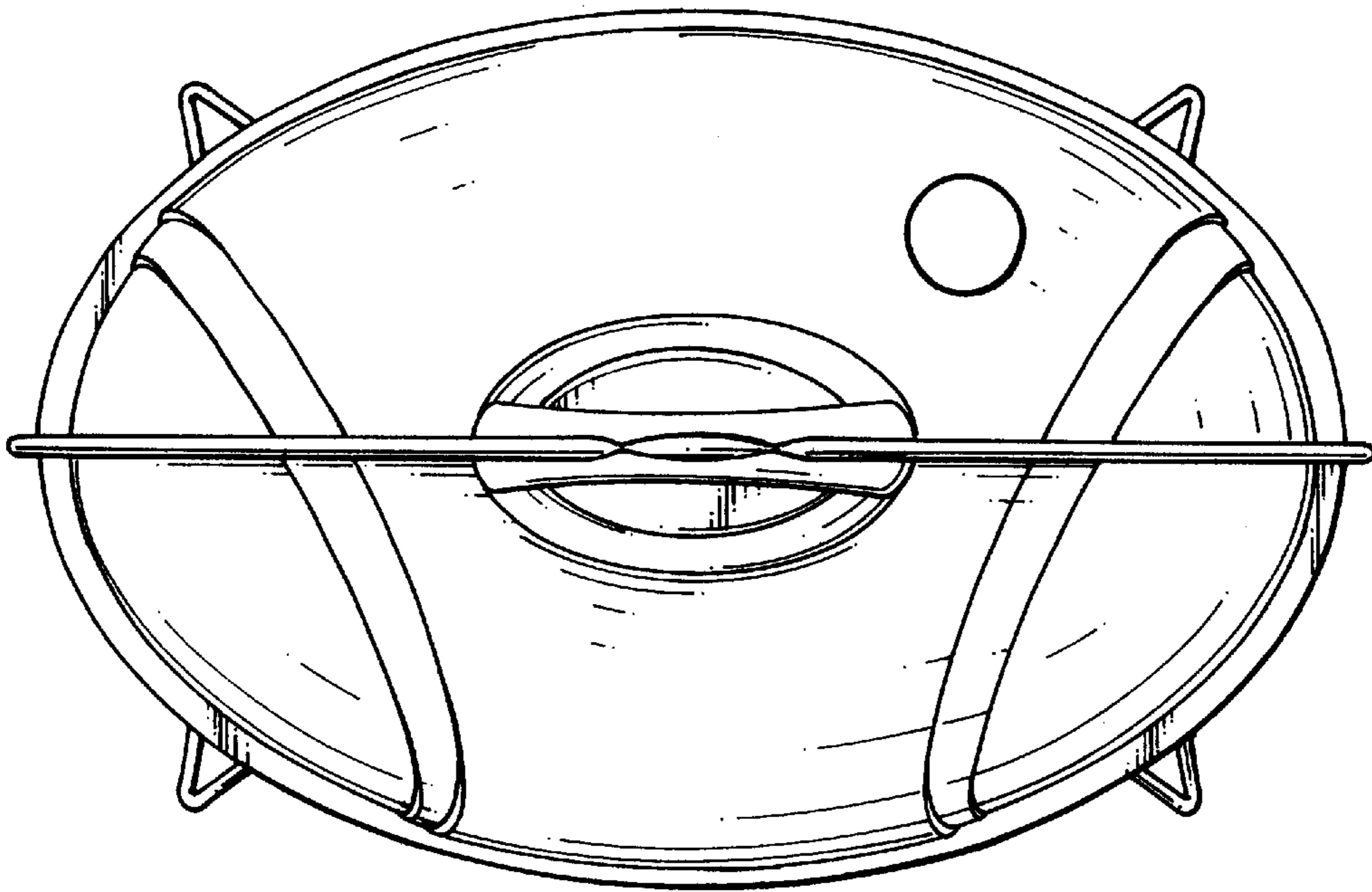


FIG. 6

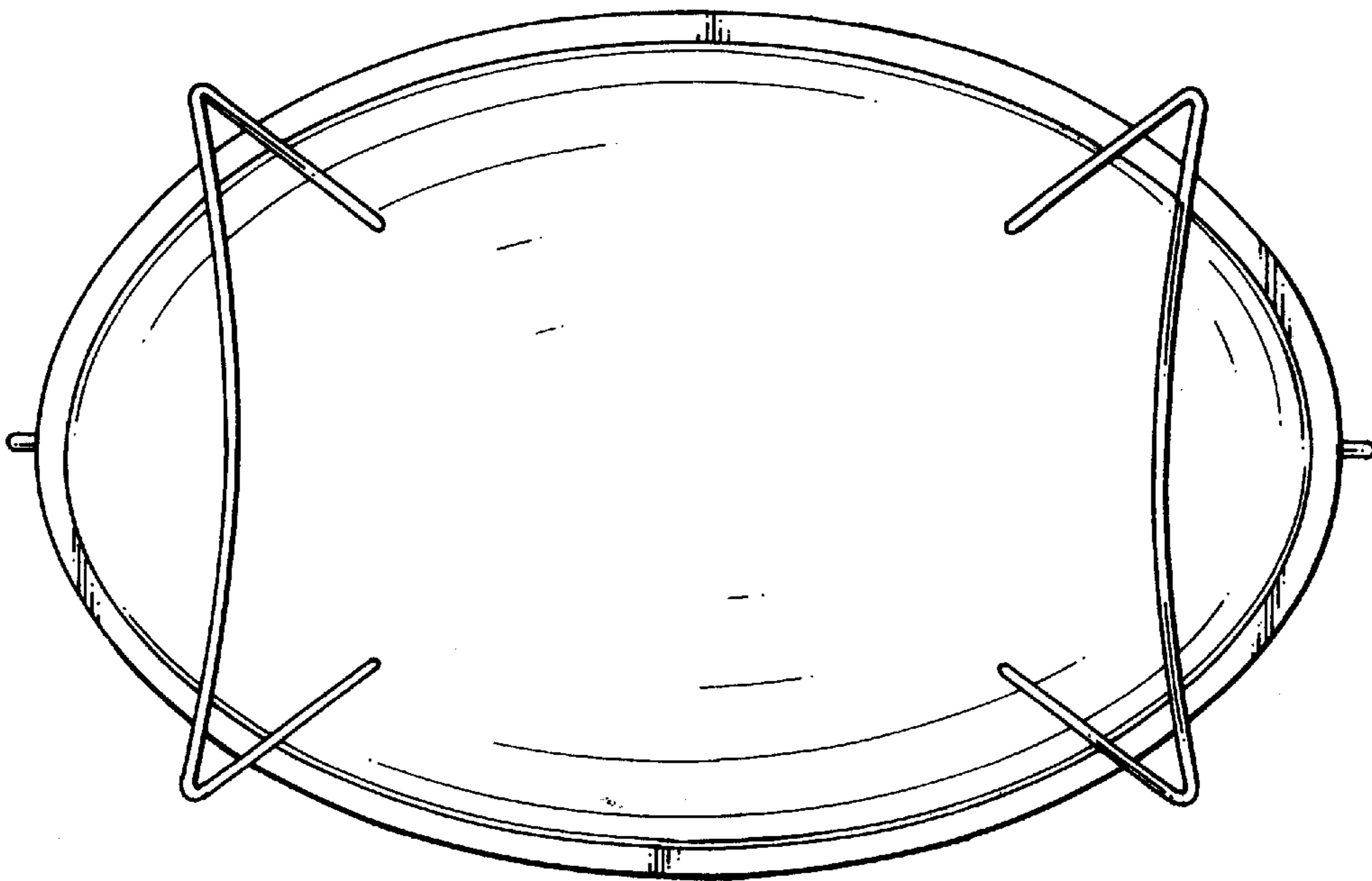


FIG. 7