



US00D444021S

(12) **United States Design Patent**  
**Chan**

(10) **Patent No.:** **US D444,021 S**

(45) **Date of Patent:** **\*\* Jun. 26, 2001**

(54) **COMPACT DISC HOLDER**

(75) Inventor: **Sik-Leung Chan, Tsuen Wan (CN)**

(73) Assignee: **C. C. & L Company Limited, Hong Kong (CN)**

(\*\*) Term: **14 Years**

(21) Appl. No.: **29/127,619**

(22) Filed: **Aug. 8, 2000**

(51) **LOC (7) Cl.** ..... **06-04**

(52) **U.S. Cl.** ..... **D6/634**

(58) **Field of Search** ..... D6/407, 626-630, D6/462-468, 450, 457, 473-476, 556-567, 570-572, 553; 312/9.1-9.64; D19/75, 76; D32/55, 58; 211/40, 41.1, 41.2, 41.3, 41.4, 42, 41.12, 44, 41.18, 48, 181.1; 206/307.1, 307, 308.1, 445, 387.15, 454, 387.1, 425

(56) **References Cited**

**U.S. PATENT DOCUMENTS**

- D. 266,526 \* 10/1982 Raine ..... D19/76
- D. 281,464 \* 11/1985 Drake ..... D6/634
- D. 303,873 \* 10/1989 Brussing ..... D6/630
- D. 312,839 \* 12/1990 Nemeth ..... D19/75
- D. 332,281 \* 1/1993 Silverman ..... D3/206
- D. 341,713 \* 11/1993 Tse ..... D6/631
- D. 357,844 \* 5/1995 Ho ..... D6/634

- D. 359,762 \* 6/1995 Snell ..... D19/76
- D. 372,161 \* 7/1996 Goekler ..... D6/634
- D. 396,575 \* 8/1998 Boyd ..... D6/407
- D. 416,583 \* 11/1999 Eddy et al. .... D19/76
- D. 427,476 \* 7/2000 Chan ..... D6/634
- 1,134,742 \* 4/1915 Hoffman ..... 194/250
- 5,069,361 \* 12/1991 Jeffway, Jr. et al. .... 206/371 X
- 5,350,068 \* 9/1994 Chieng ..... 206/308.1
- 5,586,650 \* 12/1996 Yeh ..... 206/308.1
- 5,590,770 \* 1/1997 Yeh ..... 206/308.1

\* cited by examiner

*Primary Examiner*—Jeffrey Asch

(74) *Attorney, Agent, or Firm*—Alix, Yale & Ristas, LLP

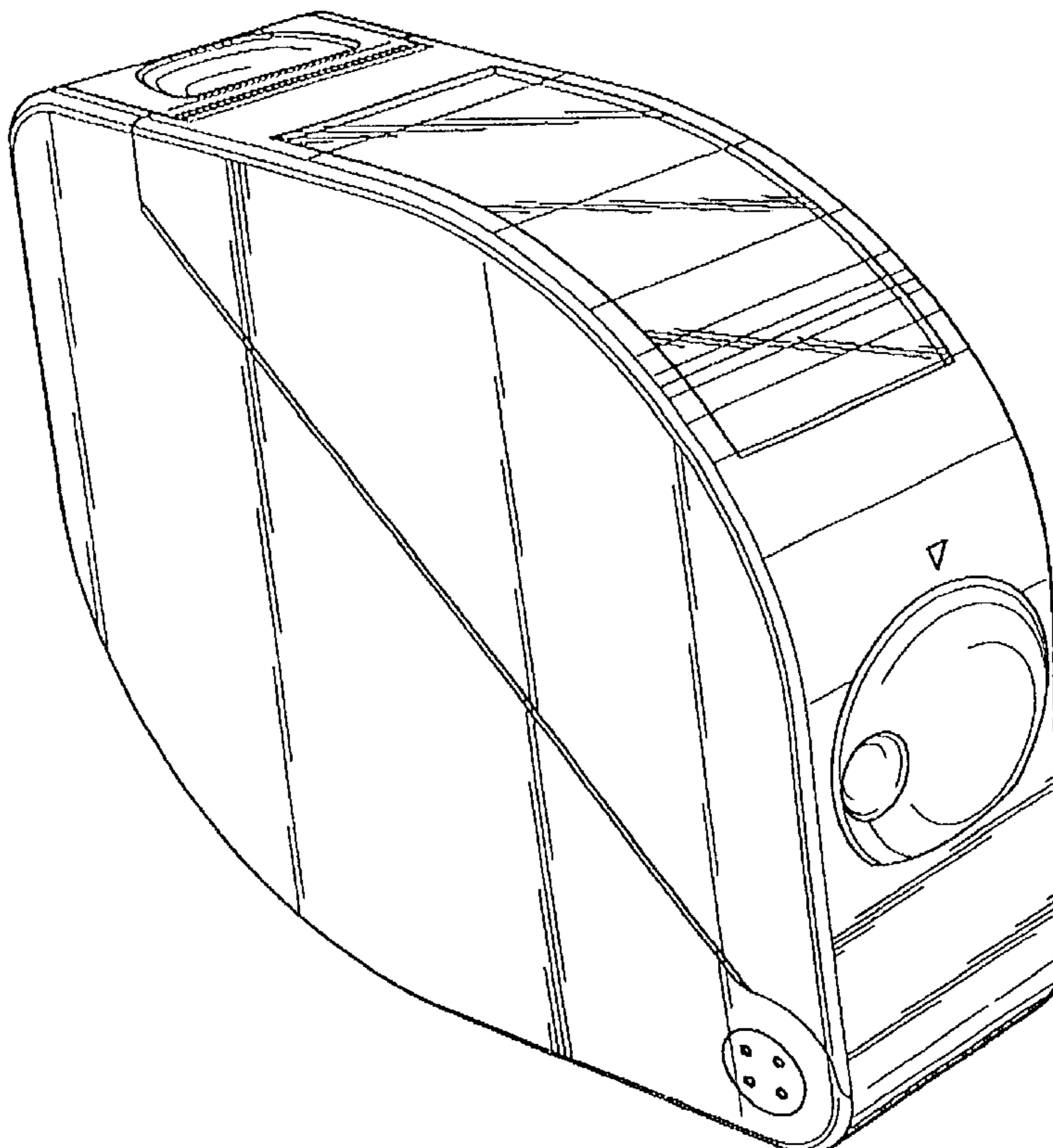
(57) **CLAIM**

The ornamental design for a compact disc holder, as shown and described.

**DESCRIPTION**

FIG. 1 is a perspective view of a compact disc holder showing my new design;  
 FIG. 2 is a front elevational view thereof;  
 FIG. 3 is a top plan view thereof; and  
 FIG. 4 is a left side elevational view thereof;  
 FIG. 5 is a right side elevational view thereof;  
 FIG. 6 is a rear elevational view thereof; and,  
 FIG. 7 is a bottom plan view thereof.

**1 Claim, 4 Drawing Sheets**



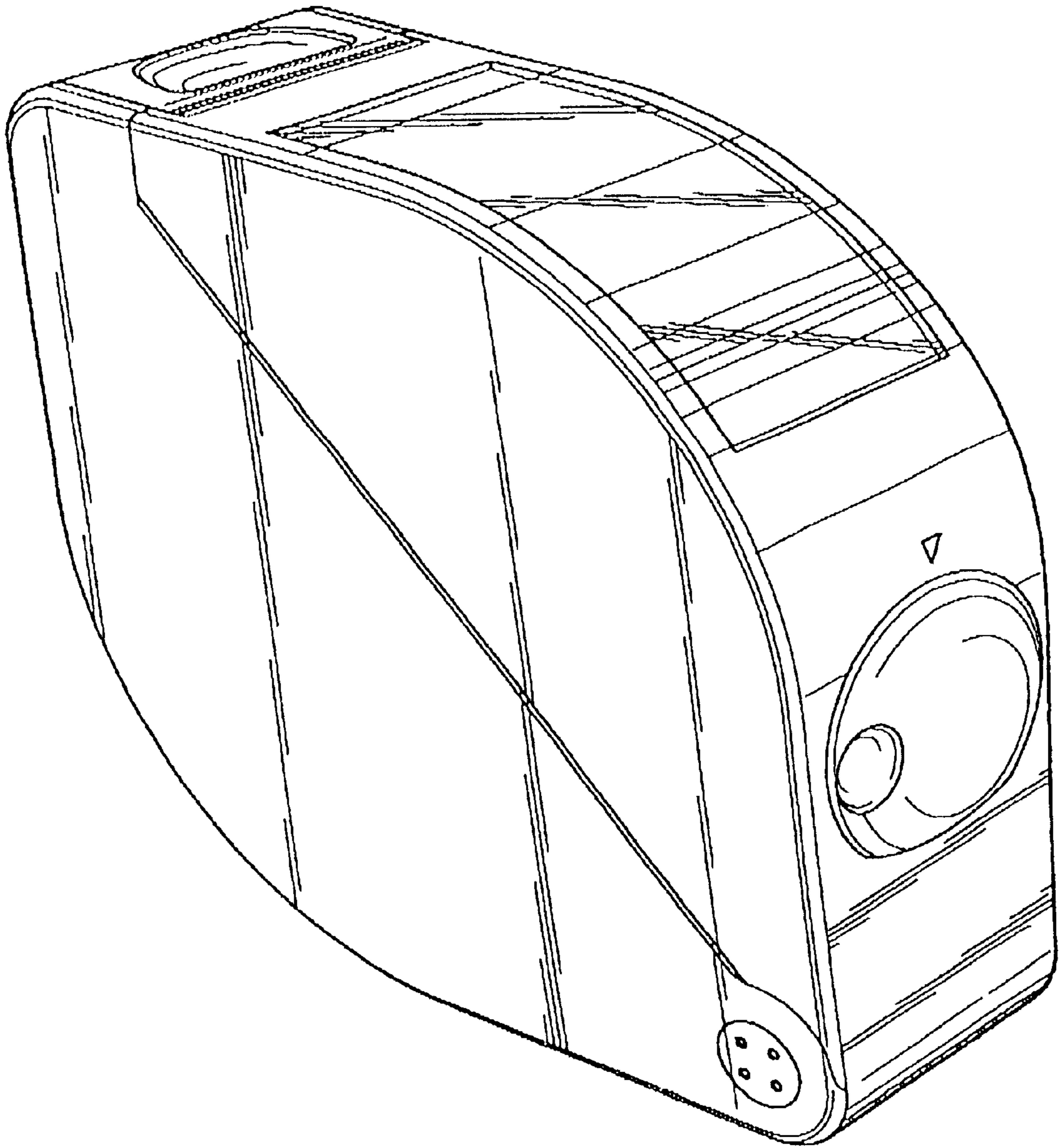


FIG. 1

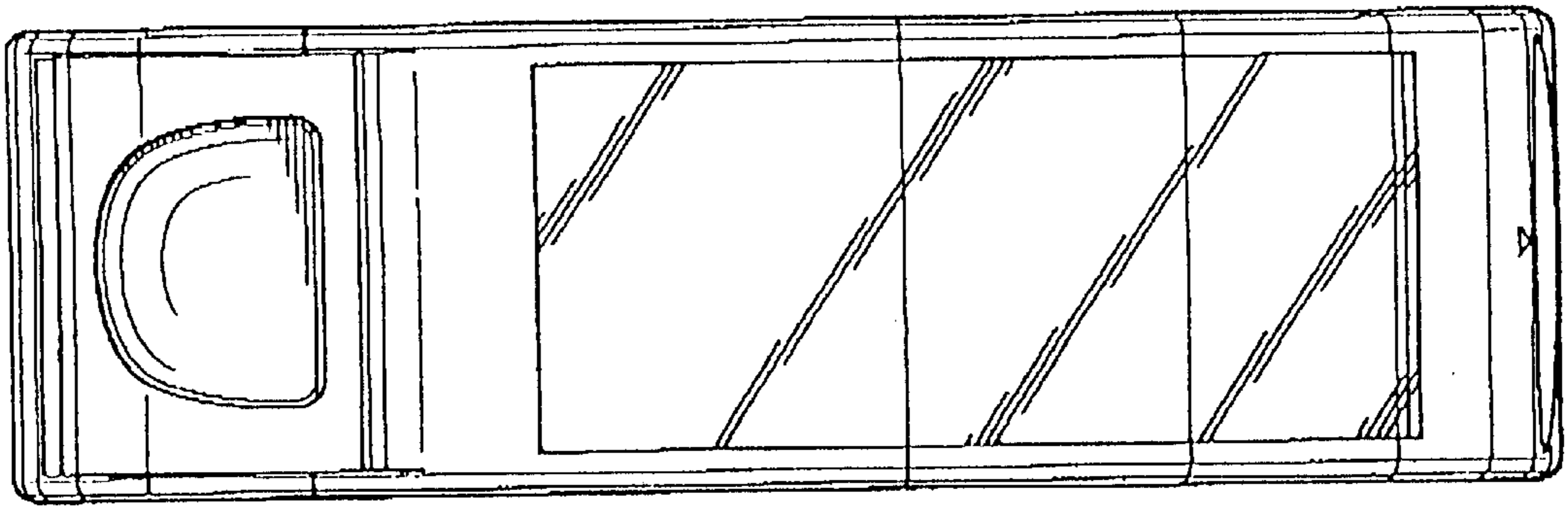


FIG. 3

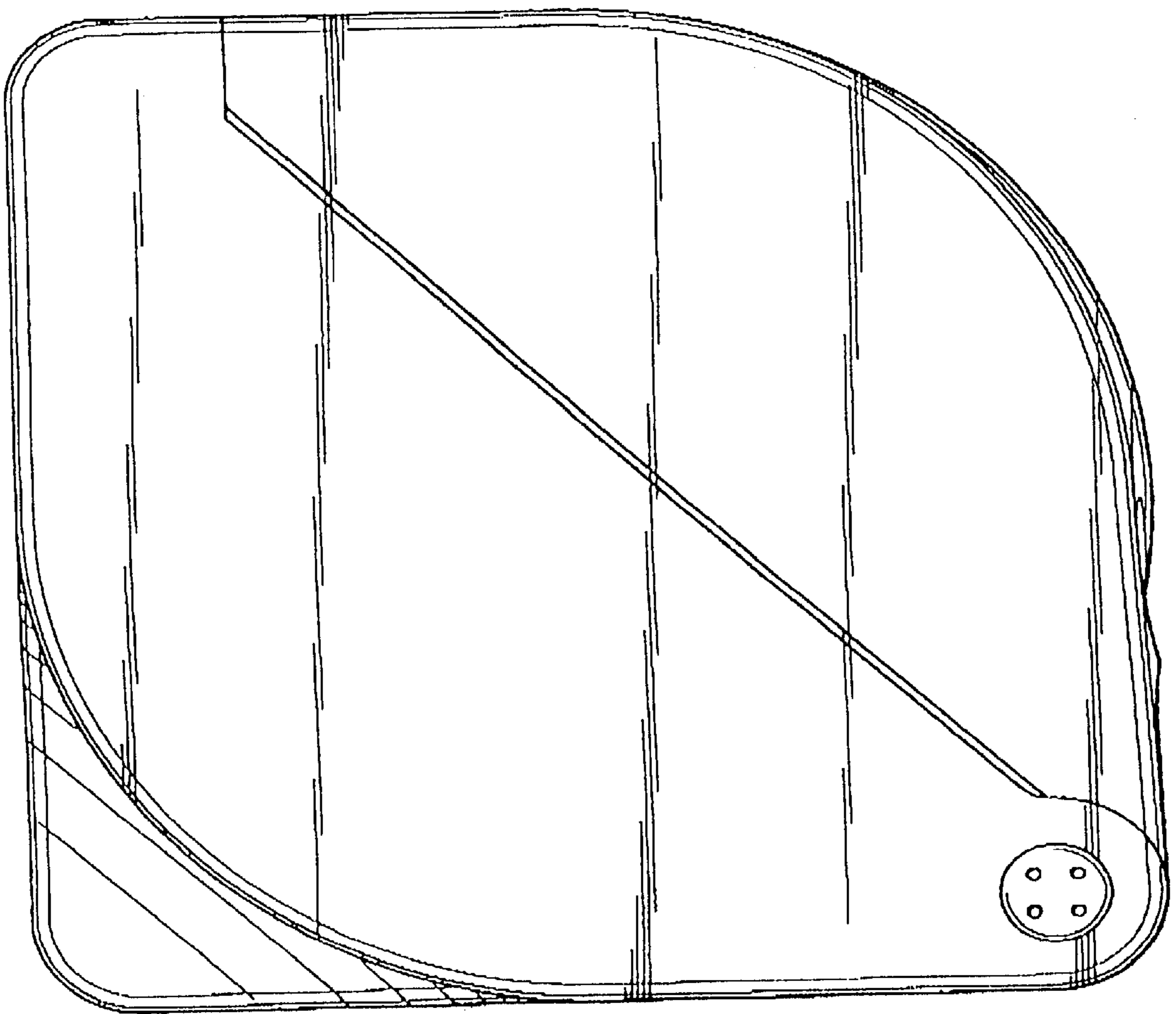


FIG. 2

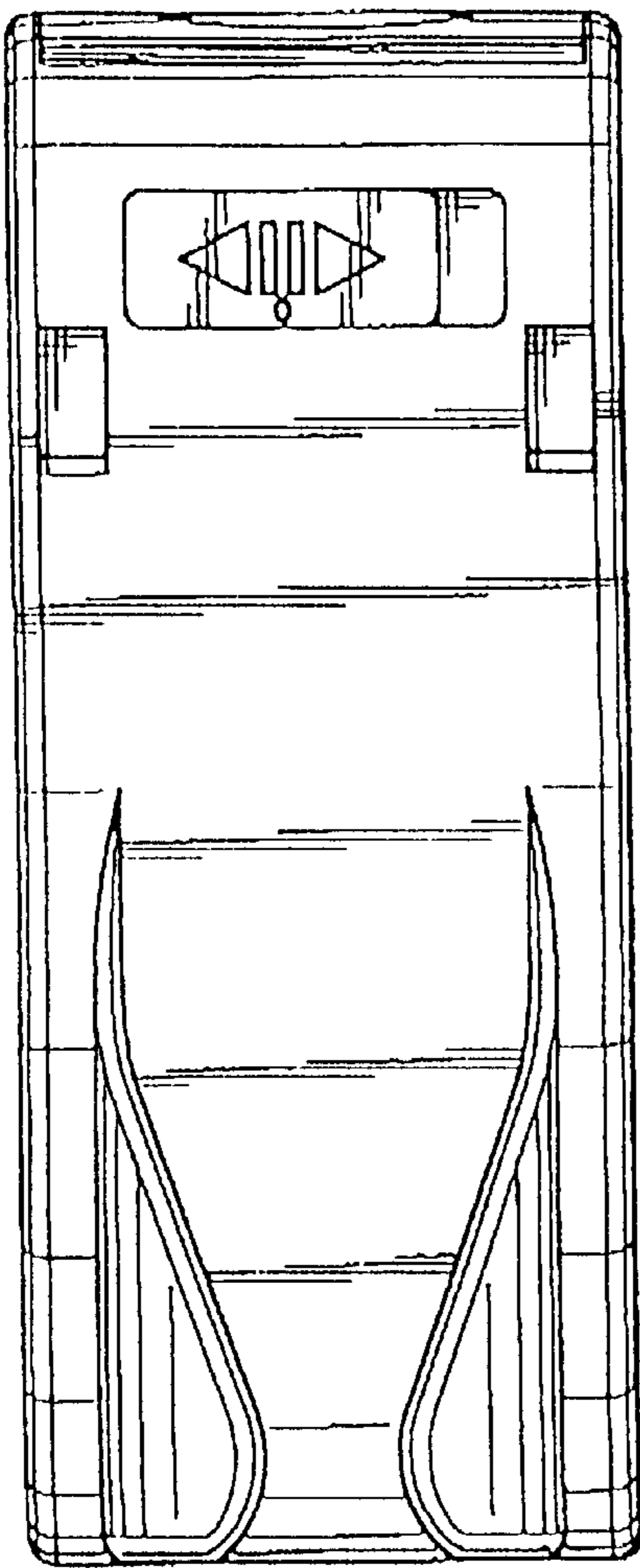


FIG. 4

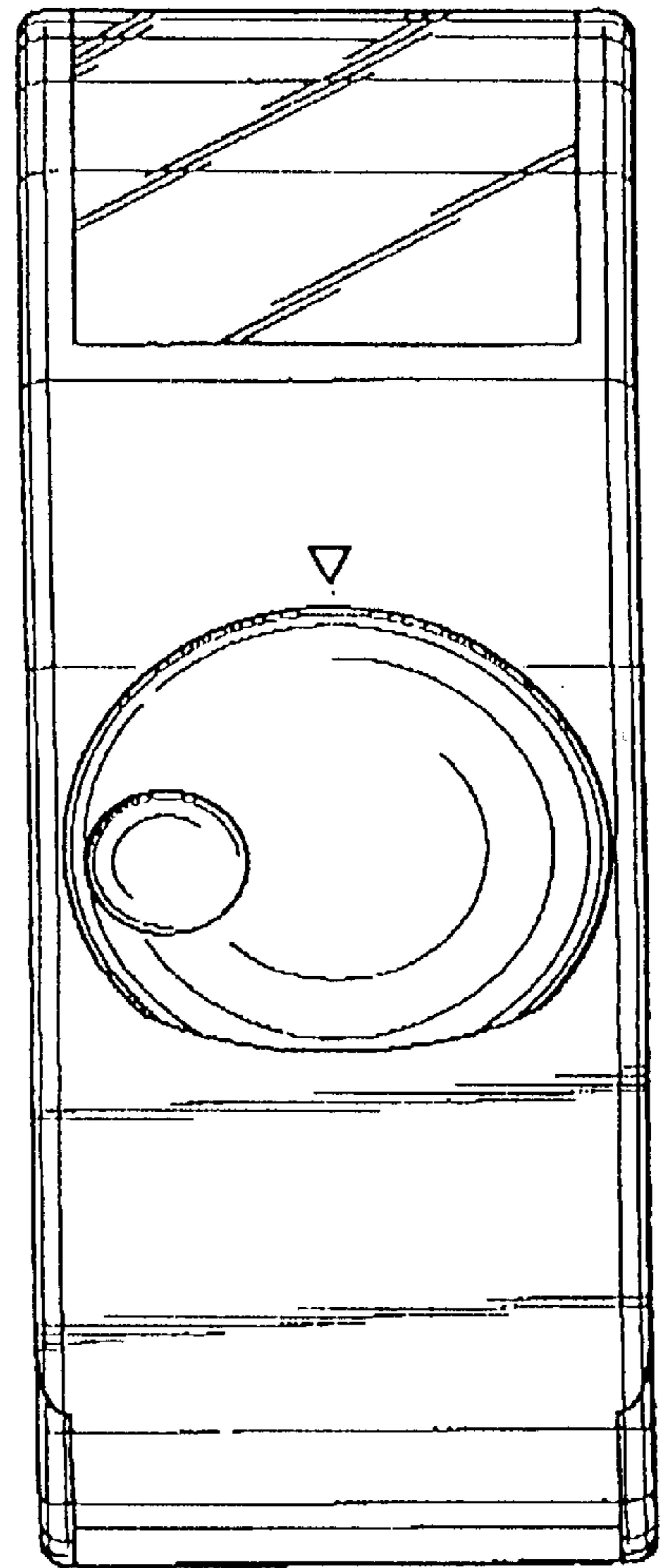


FIG. 5



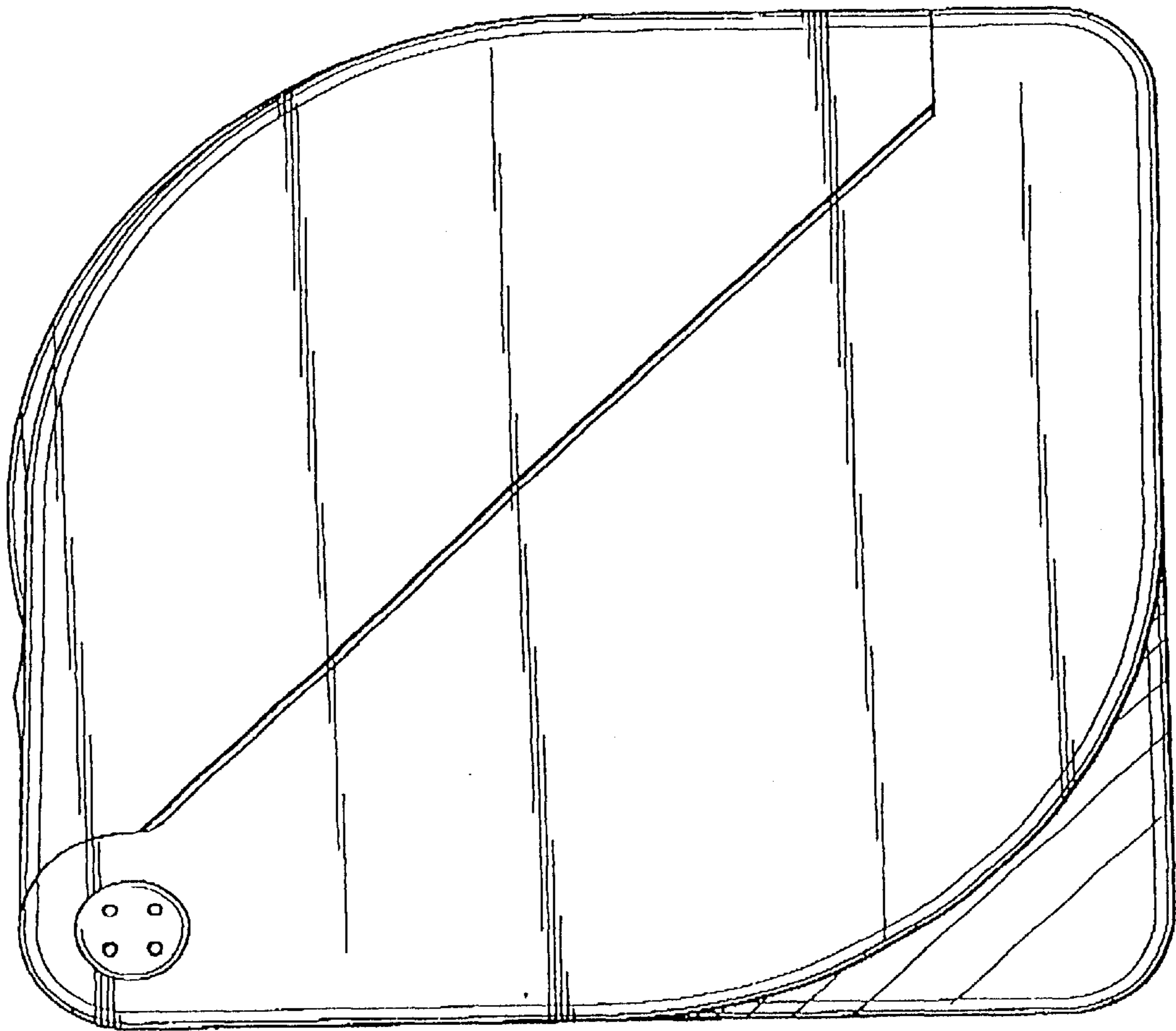


FIG. 6

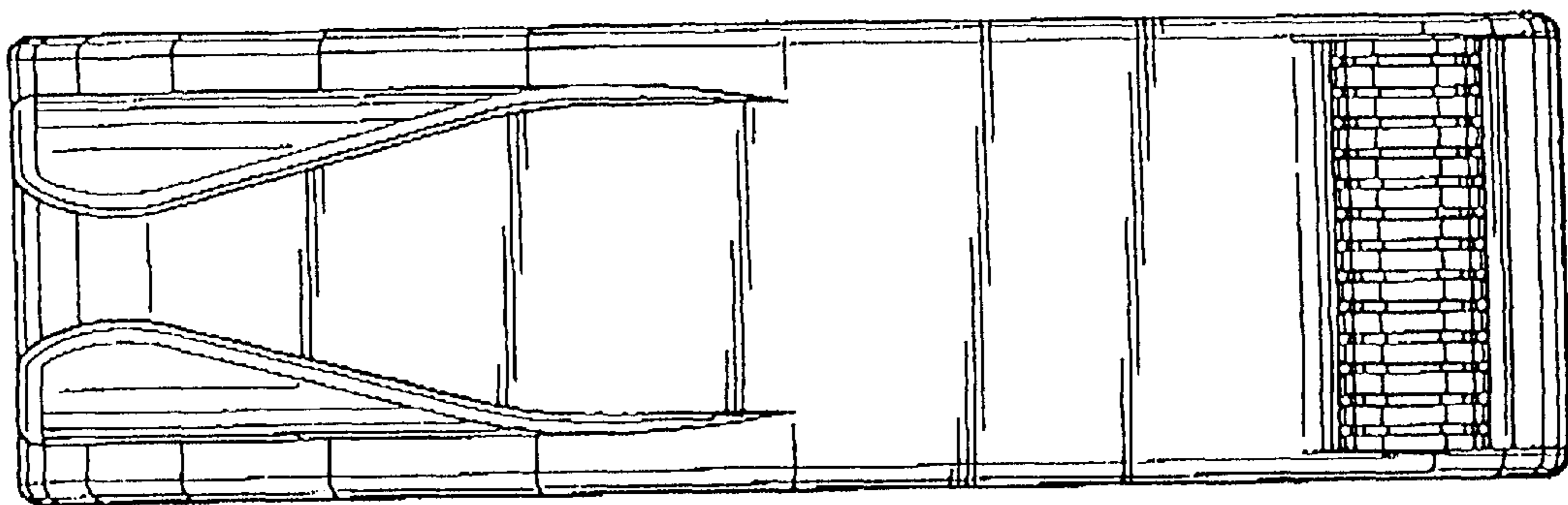


FIG. 7