



US00D444017S

(12) **United States Design Patent**
Walker

(10) **Patent No.:** **US D444,017 S**

(45) **Date of Patent:** **** Jun. 26, 2001**

(54) **CORNER SHELF UNIT**

(75) Inventor: **David L. Walker**, Chester, PA (US)

(73) Assignee: **Zenith Products Corp.**, New Castle, DE (US)

(**) Term: **14 Years**

(21) Appl. No.: **29/124,857**

(22) Filed: **Jun. 13, 2000**

(51) **LOC (7) Cl.** **06-04**

(52) **U.S. Cl.** **D6/562**

(58) **Field of Search** D6/524, 525, 553,
D6/567, 562; 211/13.1, 86.01, 87.01, 88.01,
90.01, 90.04, 126.1, 134, 153

(56) **References Cited**

U.S. PATENT DOCUMENTS

- D. 382,751 * 8/1997 Andrus D6/525
- D. 388,992 * 1/1998 Weisburn et al. D6/562

D. 409,868 * 5/1999 France D6/562

* cited by examiner

Primary Examiner—Brian N. Vinson

(74) *Attorney, Agent, or Firm*—Edgar A. Zarins; Lloyd D. Doigan

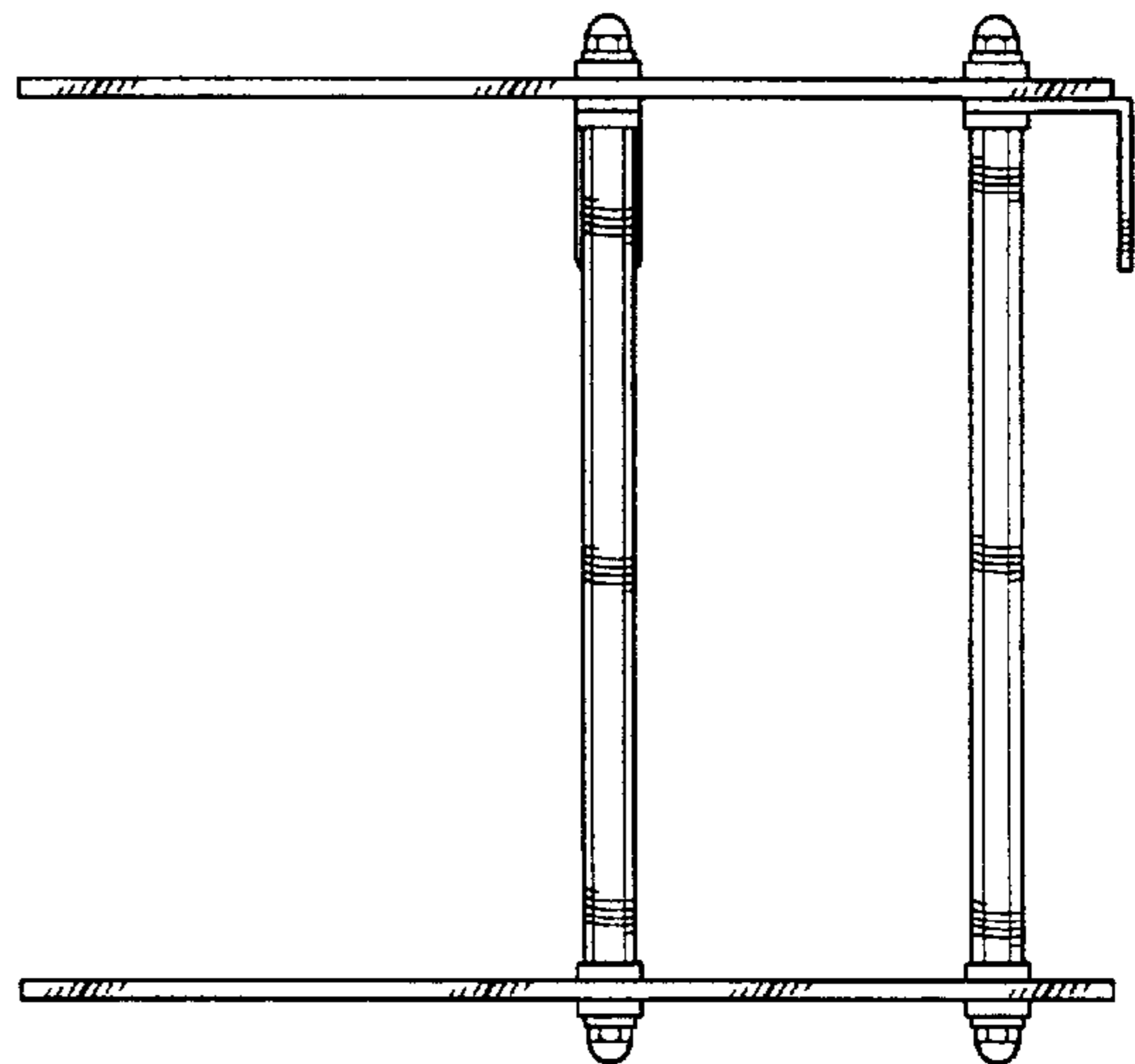
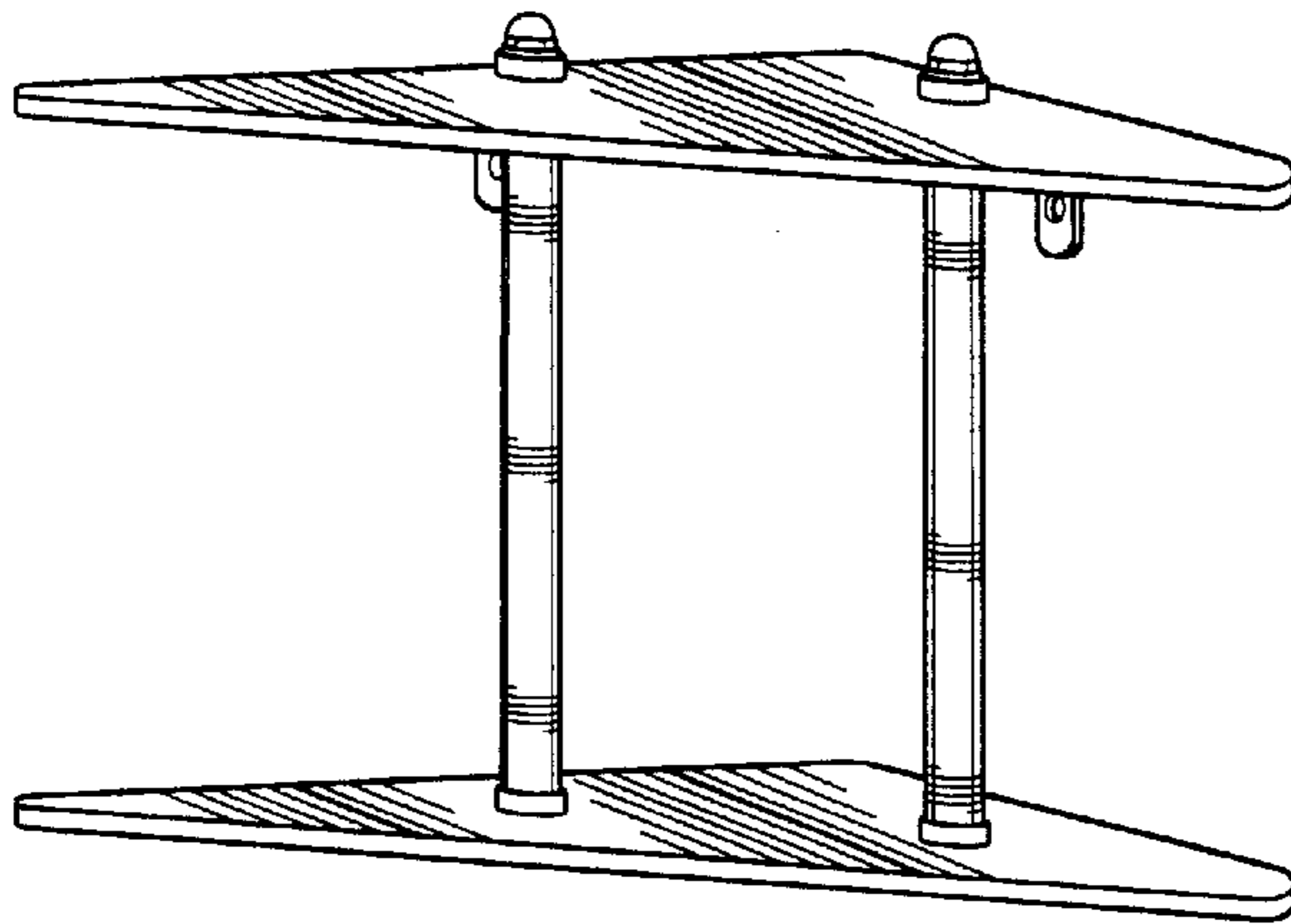
(57) **CLAIM**

The ornamental design for a corner shelf unit, as shown and described.

DESCRIPTION

FIG. 1 is a perspective view of a corner shelf unit showing my new design;
 FIG. 2 is a left side view thereof;
 FIG. 3 is a right side view thereof;
 FIG. 4 is a left rear view thereof;
 FIG. 5 is a right rear view thereof;
 FIG. 6 is a top plan view thereof; and,
 FIG. 7 is a bottom plan view thereof.

1 Claim, 2 Drawing Sheets



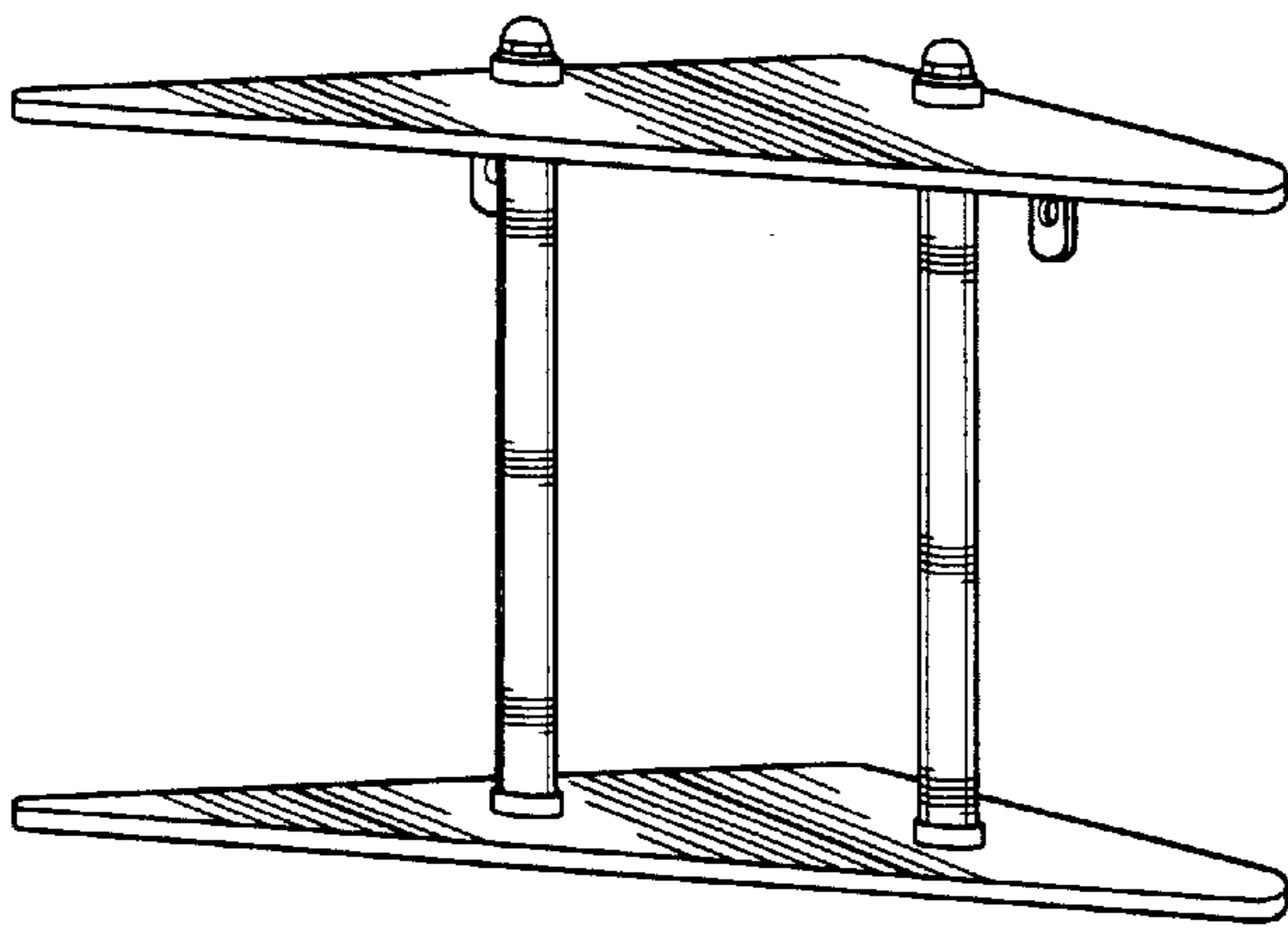


Fig-1

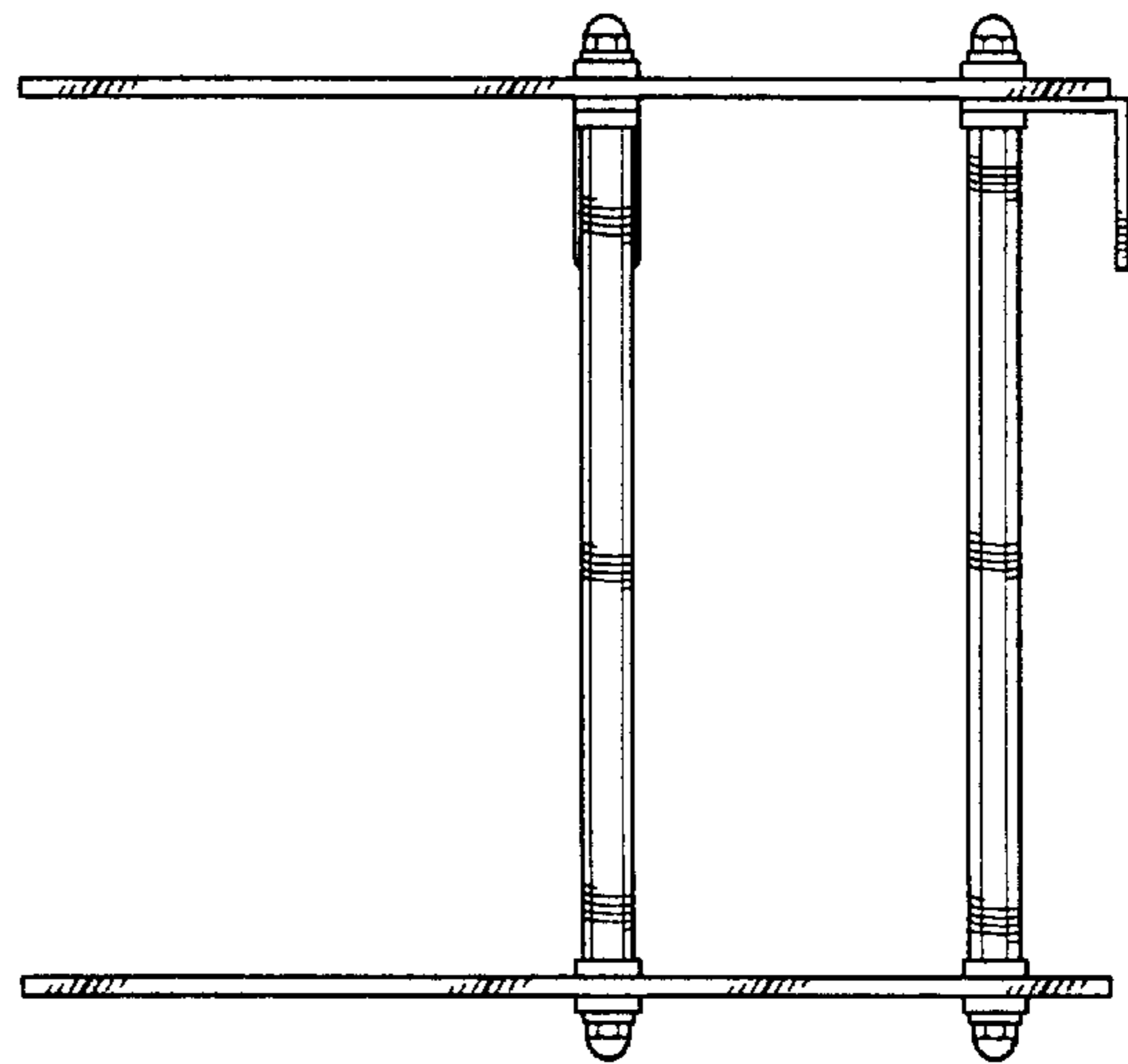


Fig-2

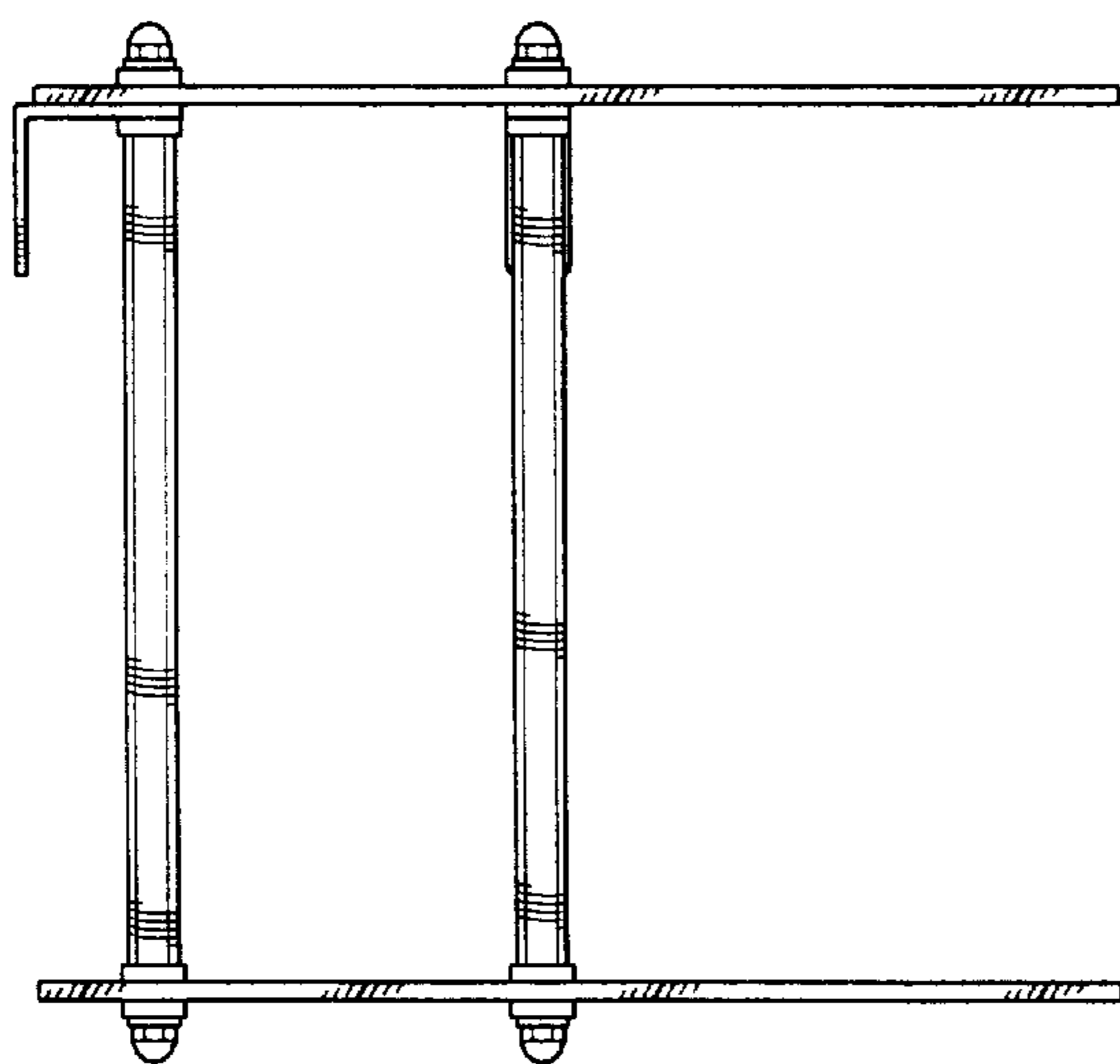


Fig-3

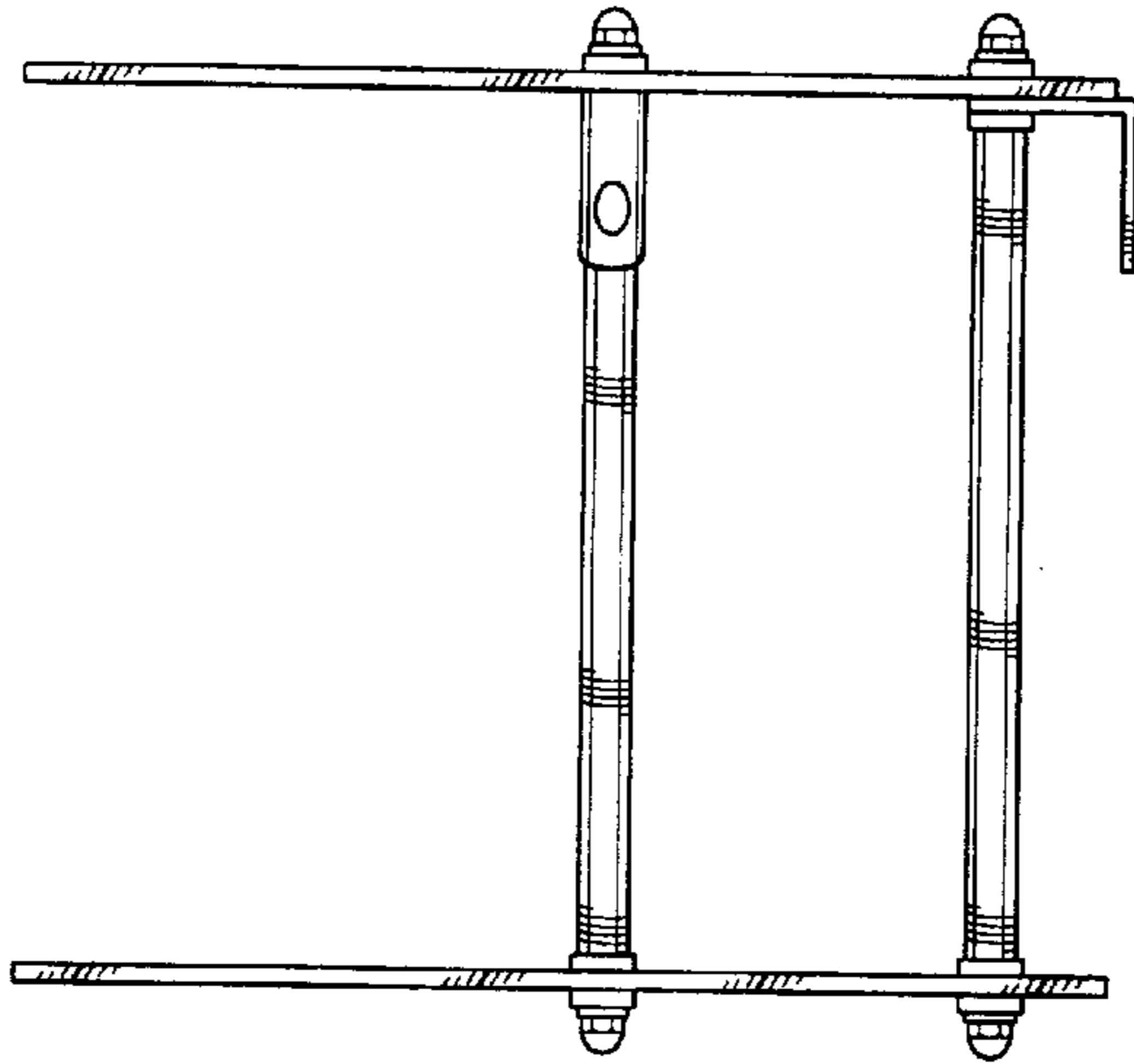


Fig-4

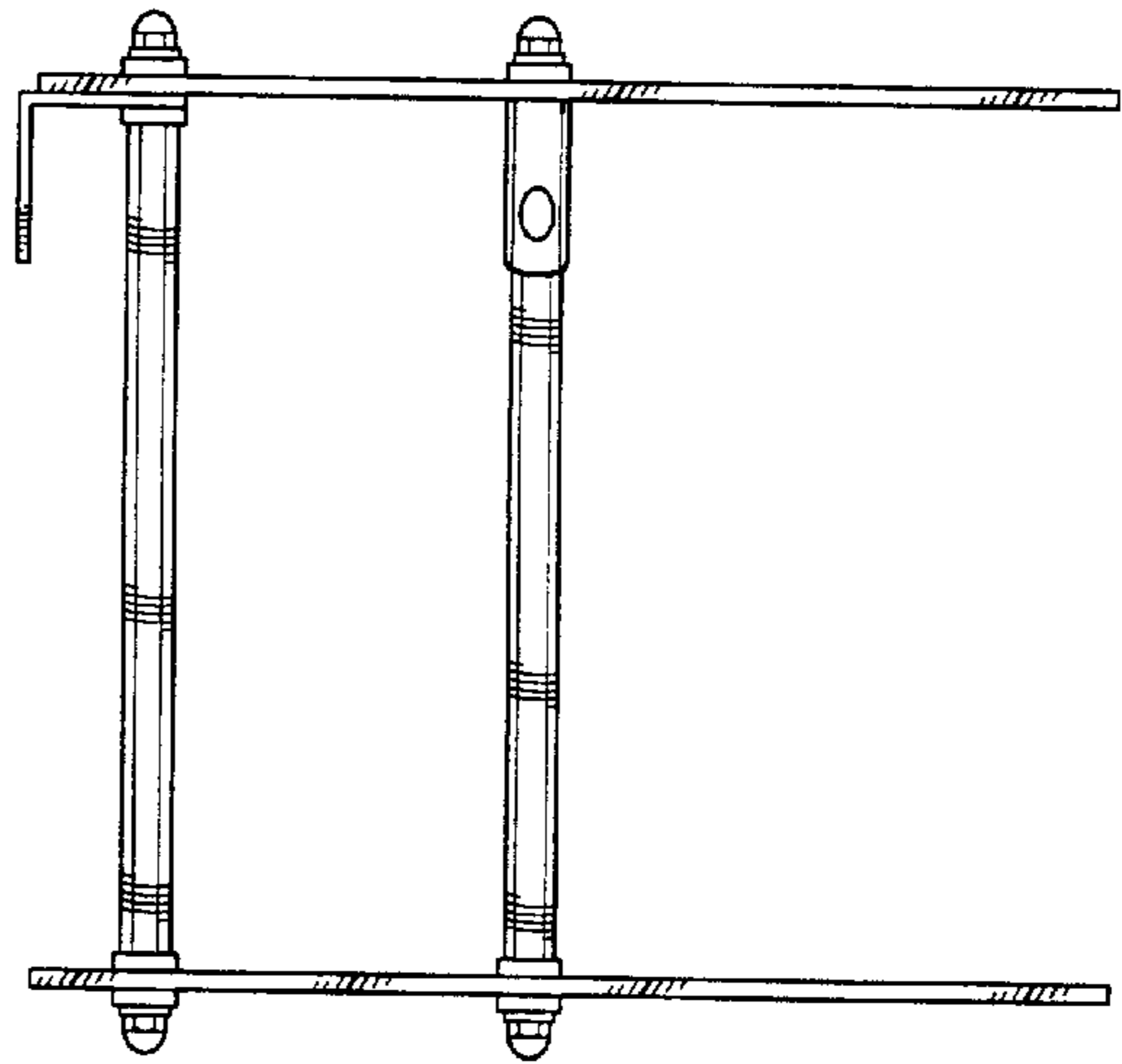


Fig-5

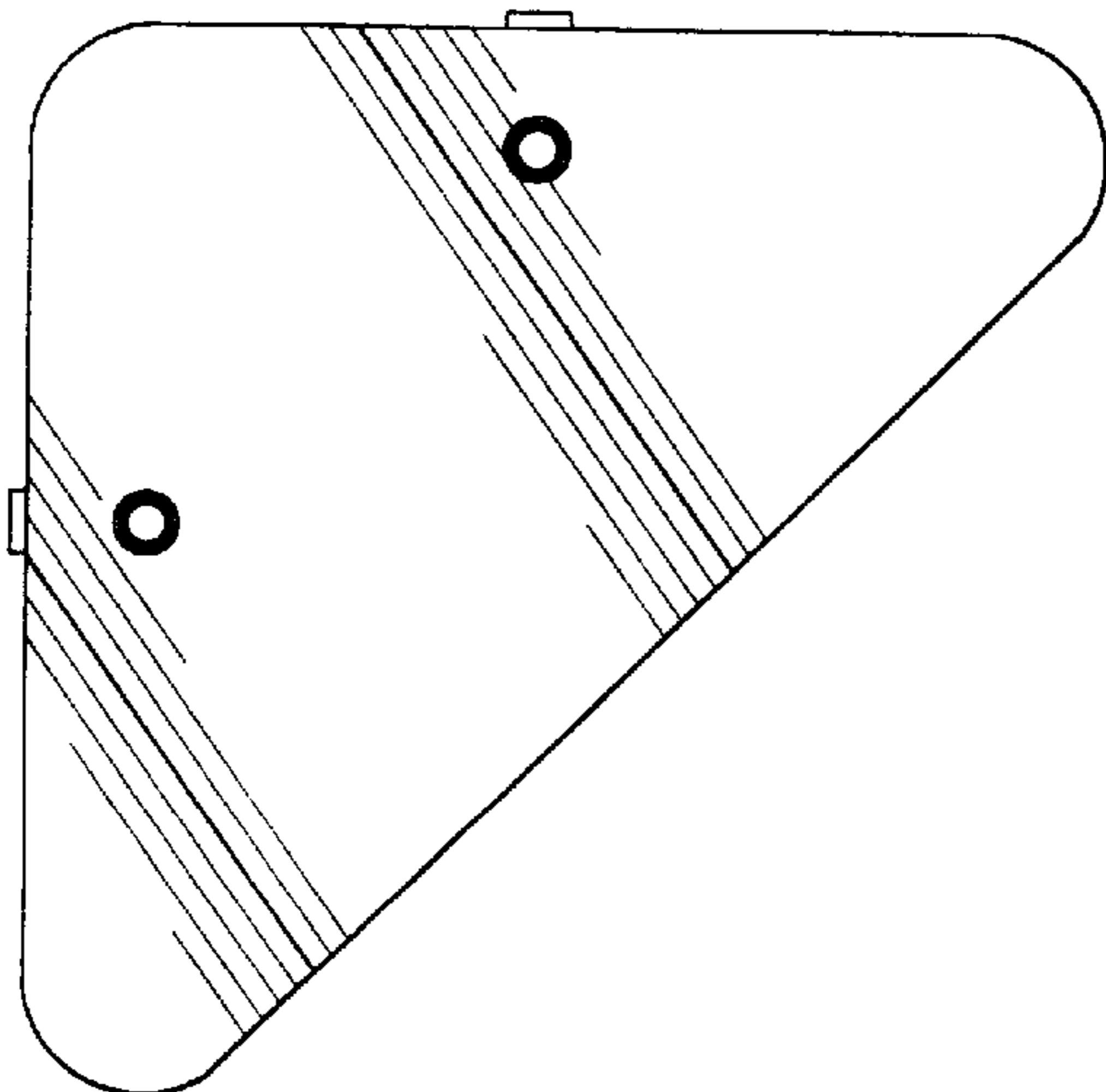


Fig-6

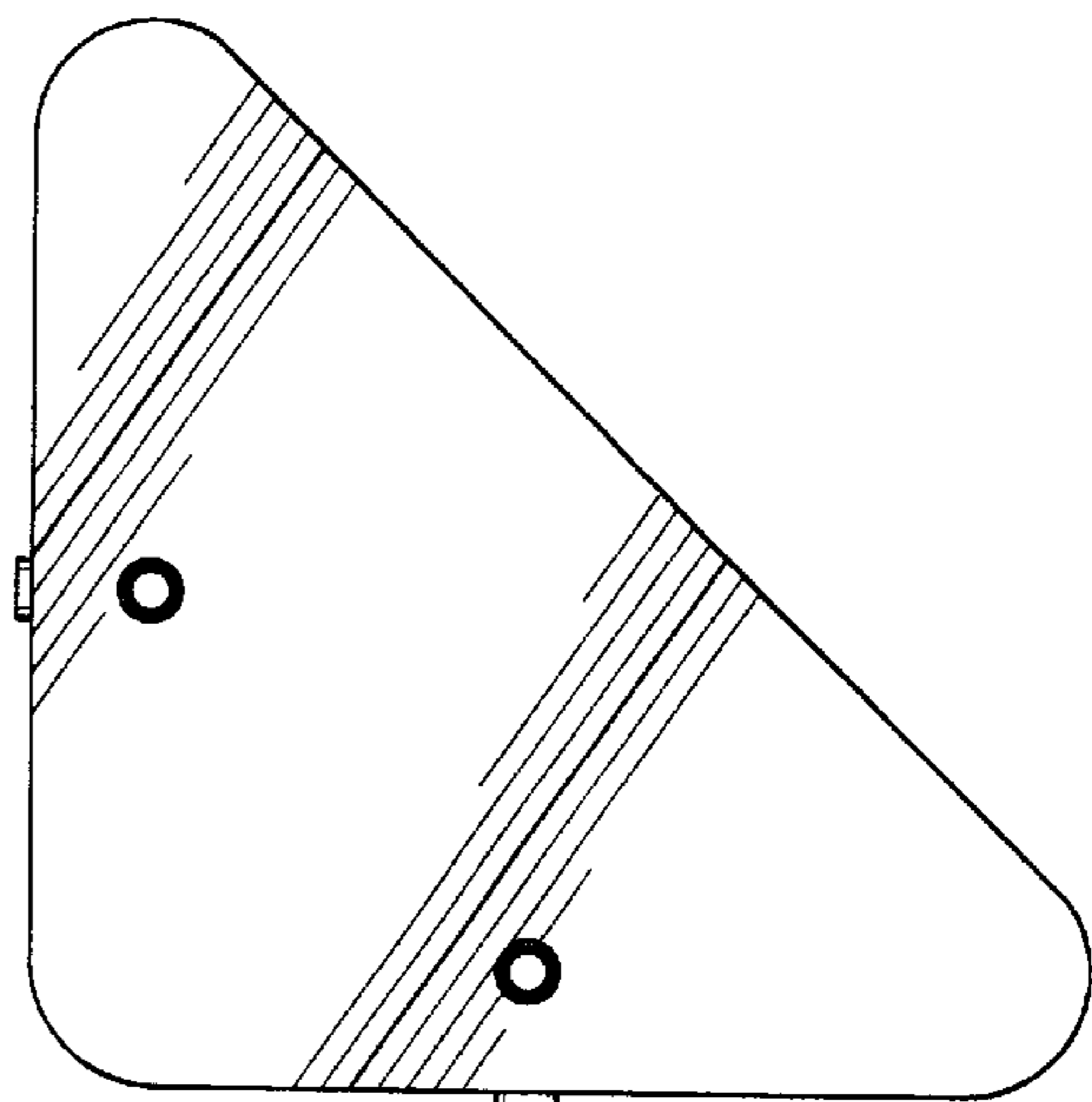


Fig-7