



US00D444014S

(12) **United States Design Patent**
Ferrer Beltrán

(10) **Patent No.:** **US D444,014 S**

(45) **Date of Patent:** **** Jun. 26, 2001**

(54) **SOAP DISH**

(75) **Inventor:** **Jose M^a Ferrer Beltrán**, Bonrepos (ES)

(73) **Assignee:** **Ibergesfer, S.L.** (ES)

(**) **Term:** **14 Years**

(21) **Appl. No.:** **29/131,147**

(22) **Filed:** **Oct. 13, 2000**

(51) **LOC (7) Cl.** **23-02**

(52) **U.S. Cl.** **D6/537; D6/540; D6/566**

(58) **Field of Search** **D6/524, 525, 536-540,**
D6/566, 567, 574; D3/304, 306; D19/75,
86, 92; 206/77.1, 557; 211/13.1, 10, 11,
35, 41.4, 86.01, 87.01, 88.01, 106, 126.1,
133.5, 134, 181.1

(56) **References Cited**

U.S. PATENT DOCUMENTS

D. 121,813	8/1940	Isenberg	D6/537
D. 167,234	7/1952	Simpson	D6/537
D. 364,297	11/1995	Daniel	D6/566 X

D. 373,039	8/1996	Cohen et al.	D6/566
D. 396,770	8/1998	Hoernig	D6/566
D. 397,570	9/1998	Hoernig	D6/566
D. 399,381	10/1998	Hoernig	D6/566
D. 408,185	4/1999	Hofman	D6/525 X
D. 419,020	1/2000	Emery et al.	D6/525 X
4,708,310	11/1987	Smith	D6/566 X
5,014,860	5/1991	Emery	211/106

Primary Examiner—Brian N. Vinson

(74) *Attorney, Agent, or Firm*—Lackenbach Siegel Marzullo Aronson & Greenspan

(57) **CLAIM**

The ornamental design for a soap dish, as shown and described.

DESCRIPTION

FIG. 1 is a perspective view thereof;
FIG. 2 is a top view thereof;
FIG. 3 is a sectional view thereof;
FIG. 4 is a sectional view thereof;
FIG. 5 is a rear view thereof; and,
FIG. 6 is a bottom view thereof.

1 Claim, 2 Drawing Sheets

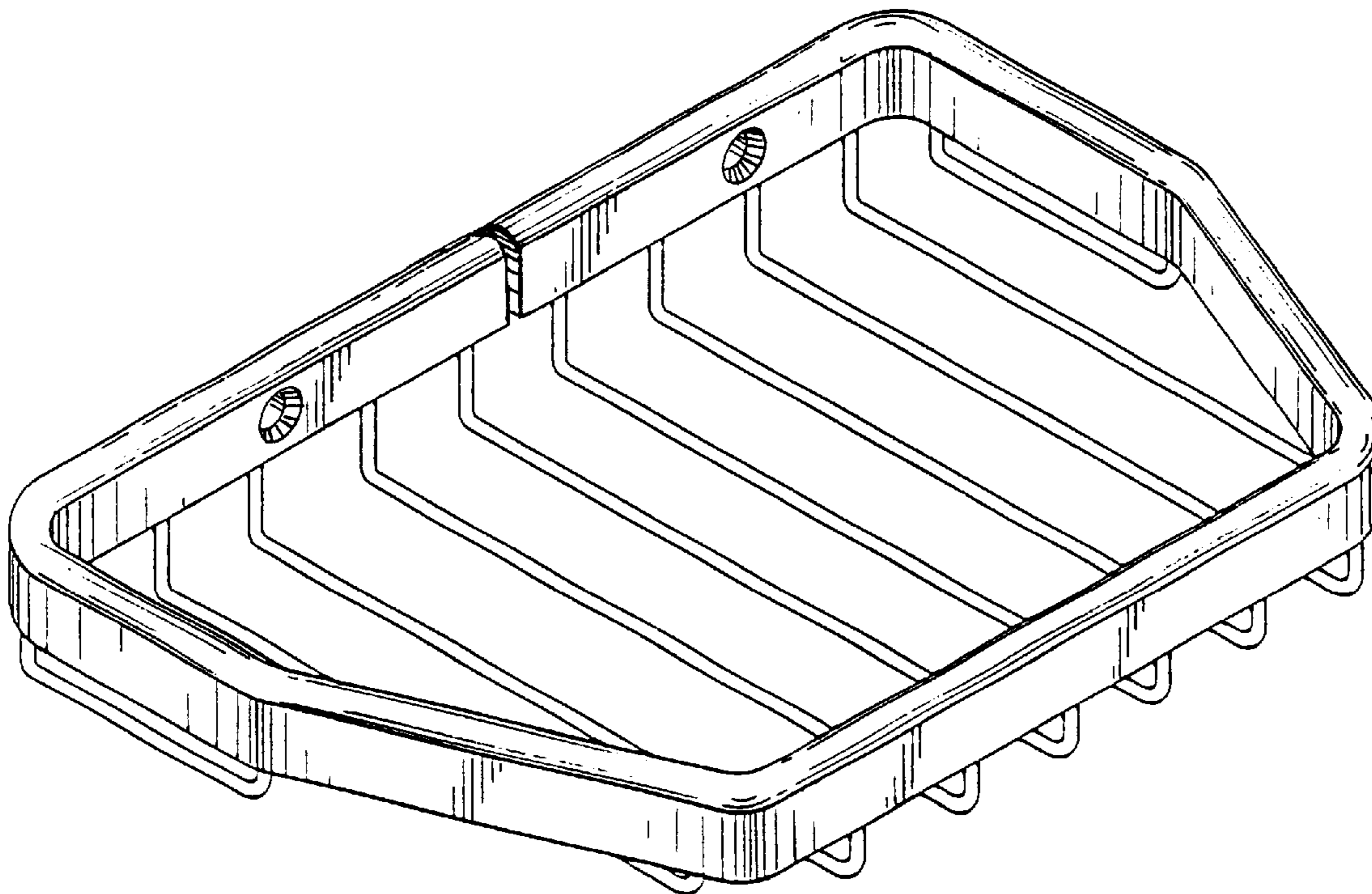


FIG. 1

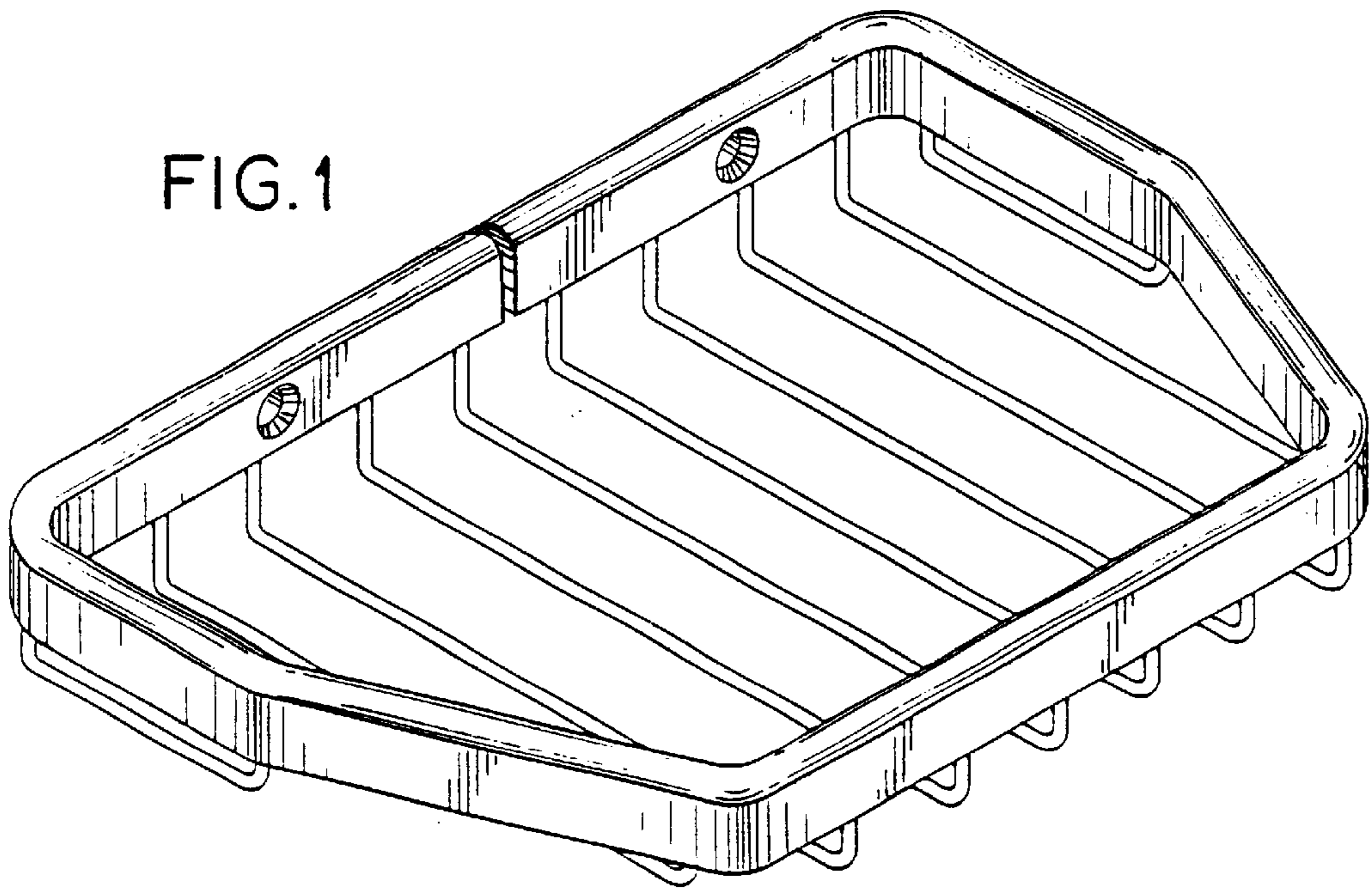


FIG. 6

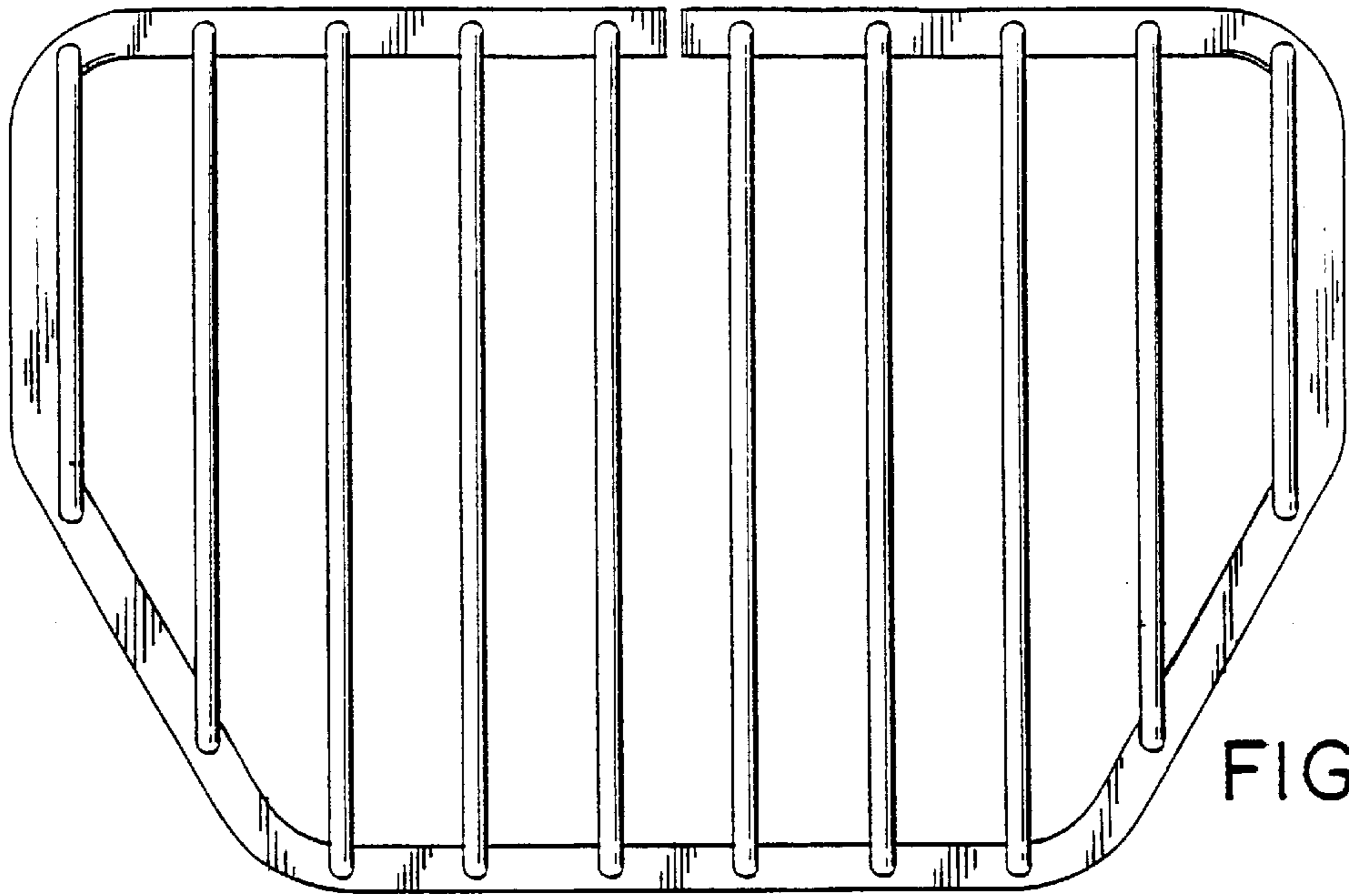
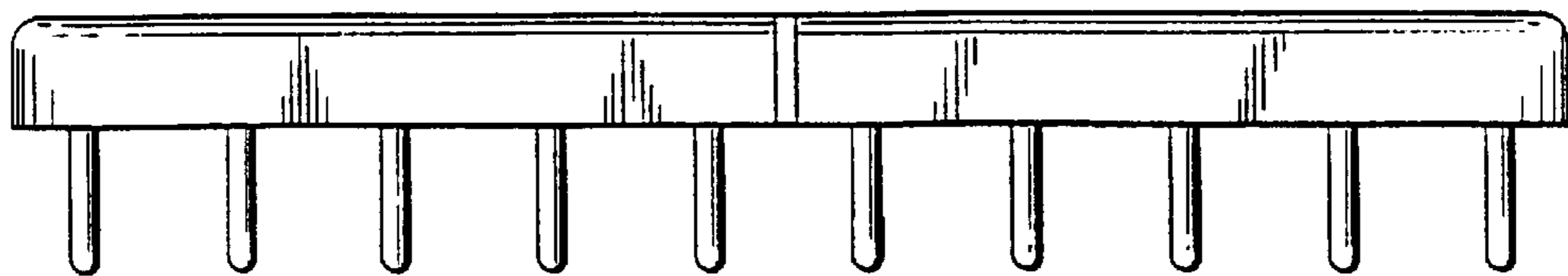


FIG. 5



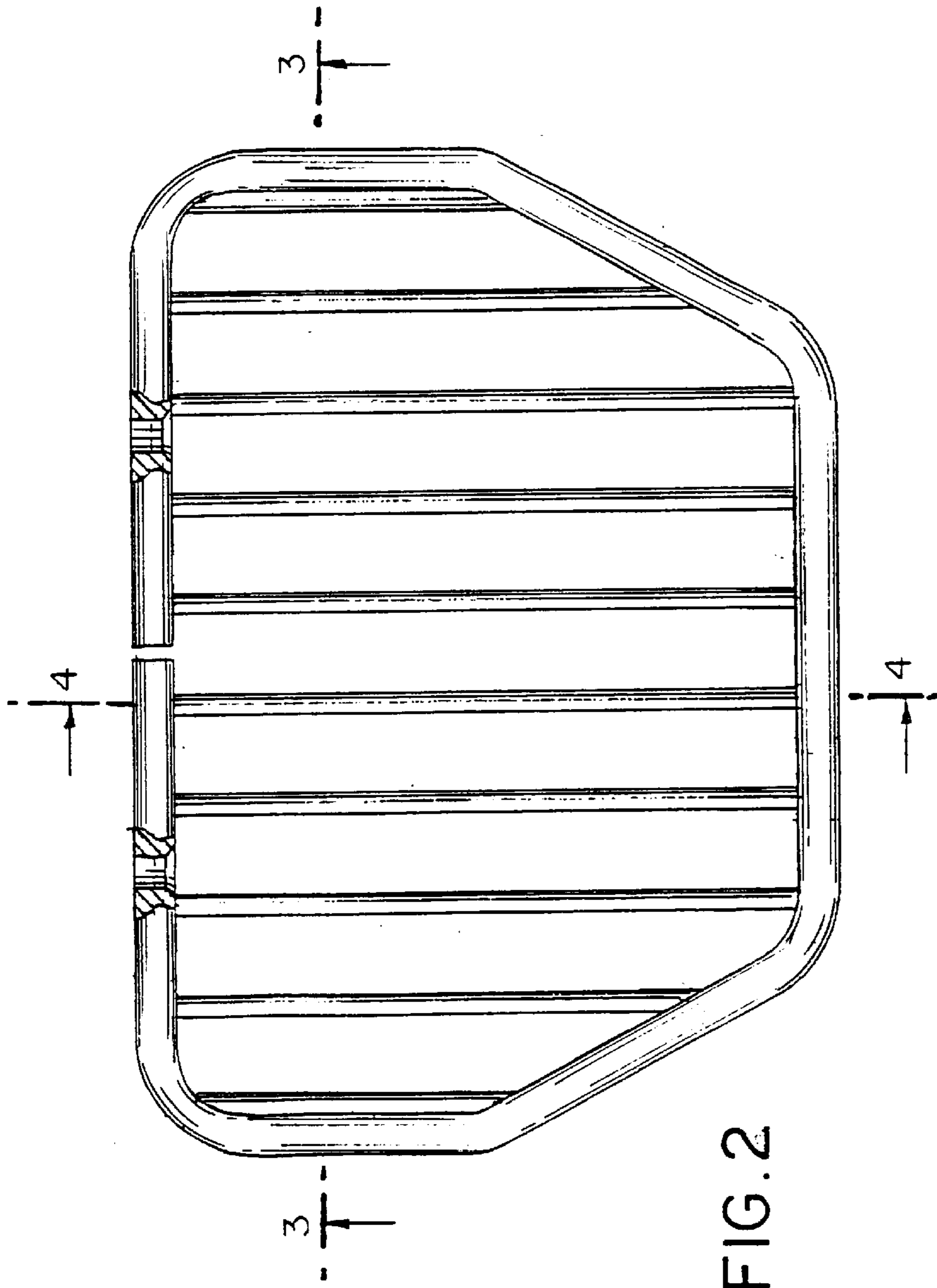


FIG. 2

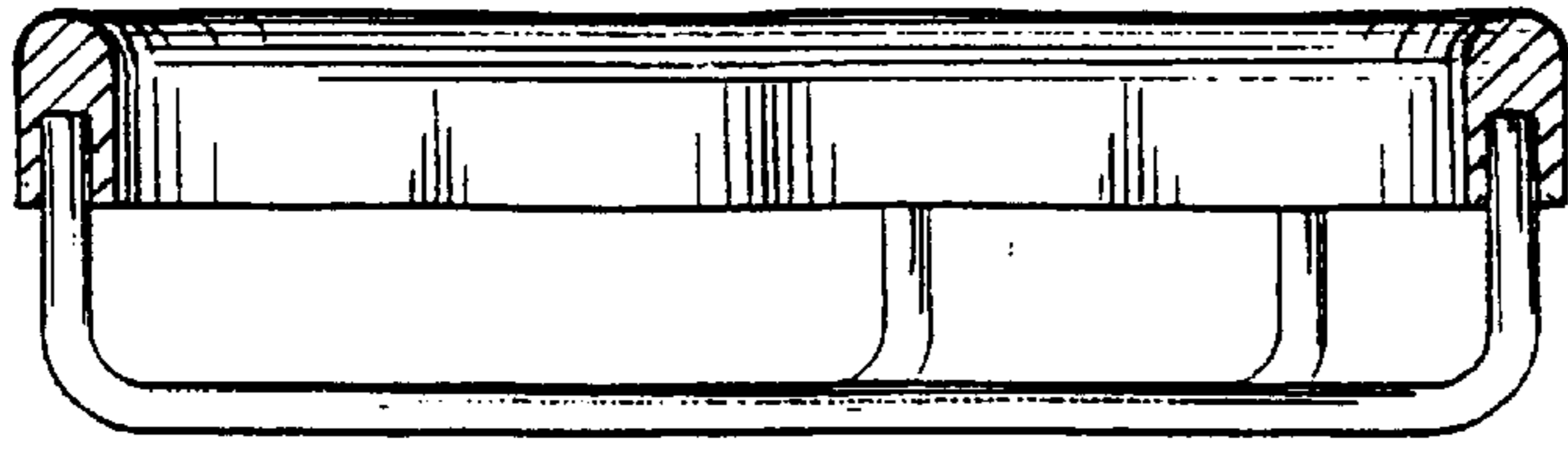


FIG. 4

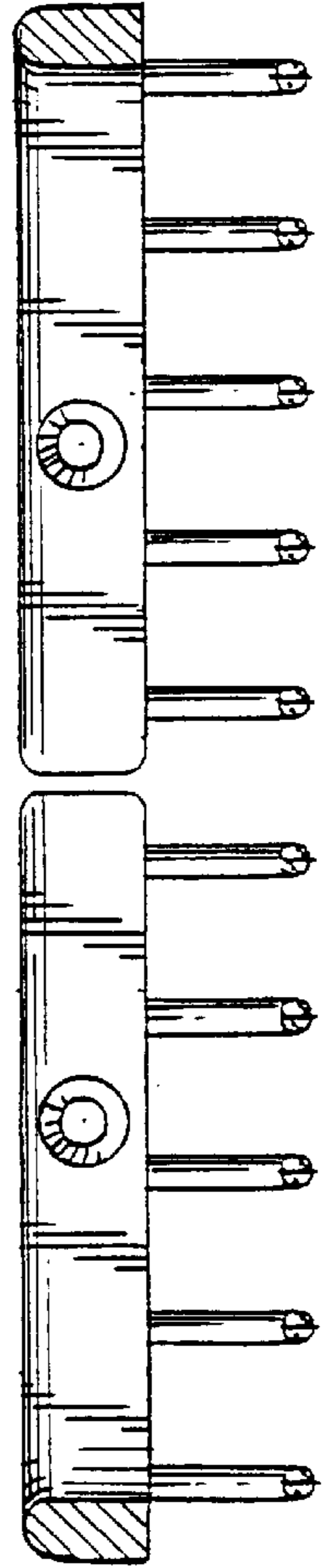


FIG. 3