



US00D444012S

(12) **United States Design Patent**
Ferrer Beltran

(10) **Patent No.:** **US D444,012 S**

(45) **Date of Patent:** **** Jun. 26, 2001**

(54) **TWO COMPARTMENT DUAL LEVEL
LARGE SOAP DISH**

(75) **Inventor:** **Jose M^a Ferrer Beltran, Bonrepos (ES)**

(73) **Assignee:** **I Bergesfer, S.L. (ES)**

(**) **Term:** **14 Years**

(21) **Appl. No.:** **29/131,146**

(22) **Filed:** **Oct. 13, 2000**

(51) **LOC (7) Cl.** **23-02**

(52) **U.S. Cl.** **D6/536; D6/540; D6/566**

(58) **Field of Search** **D6/524, 525, 536-540,
D6/566, 567, 574; D3/304, 306; D19/75,
86, 92; 206/77.1, 557; 211/13.1, 10, 11,
35, 41.4, 86.01, 87.01, 88.01, 106, 126.1,
133.5, 134, 181.1**

(56) **References Cited**

U.S. PATENT DOCUMENTS

- D. 121,813 * 8/1940 Isenberg D6/537
- D. 167,234 * 7/1952 Simpson D6/537
- D. 364,297 * 11/1995 Daniel D6/566 X
- D. 373,039 * 8/1996 Cohen et al. D6/566

- D. 396,770 * 8/1998 Hoernig D6/566
- D. 397,570 * 9/1998 Hoernig D6/566
- D. 399,381 * 10/1998 Hoernig D6/566
- D. 408,185 * 4/1999 Hofman D6/525 X
- D. 419,020 * 1/2000 Emery et al. D6/525 X
- 4,708,310 * 11/1987 Smith D6/566 X
- 5,014,860 * 5/1991 Emery 211/106

* cited by examiner

Primary Examiner—Brian N. Vinson

(74) *Attorney, Agent, or Firm*—Lackenbach Siegel
Marzullo Aronson & Greenspan

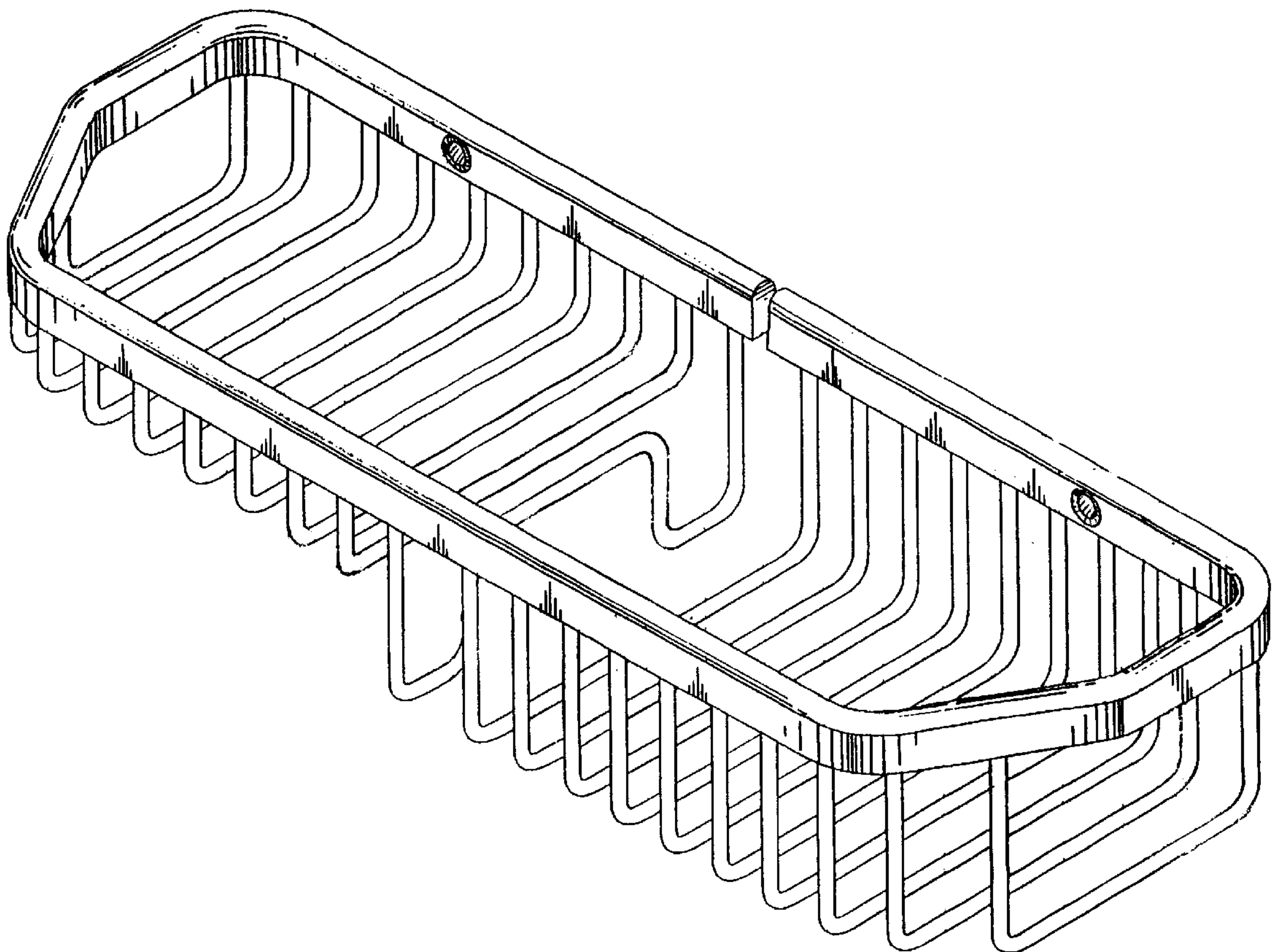
(57) **CLAIM**

The ornamental design for a two compartment dual level large soap dish, as shown and described.

DESCRIPTION

- FIG. 1 is a perspective view thereof;
- FIG. 2 is a top view thereof;
- FIG. 3 is a sectional view thereof;
- FIG. 4 is a sectional view thereof;
- FIG. 5 is a sectional view thereof
- FIG. 6 is a bottom view thereof; and,
- FIG. 7 is a right side elevation view thereof.

1 Claim, 4 Drawing Sheets



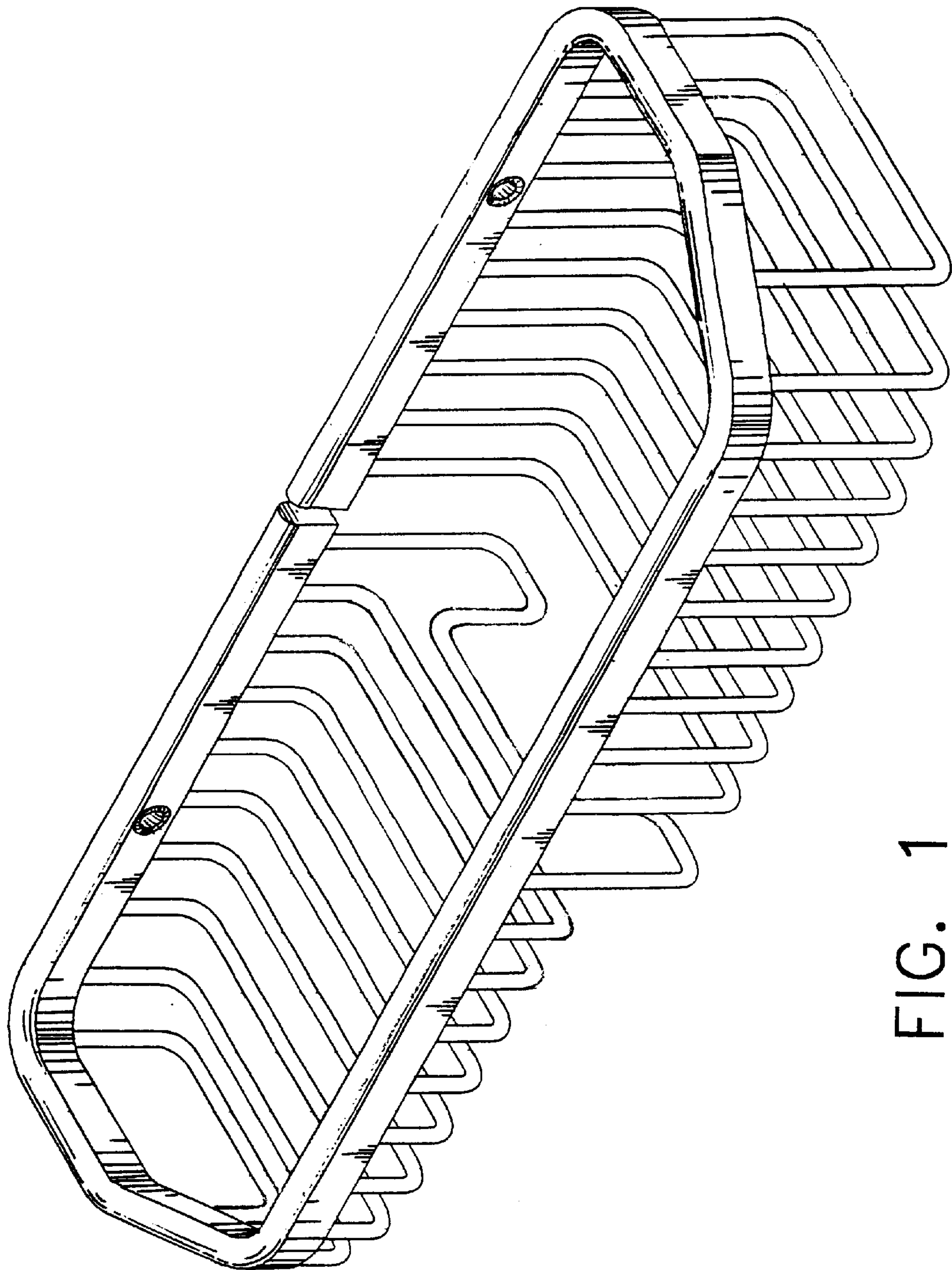


FIG. 1

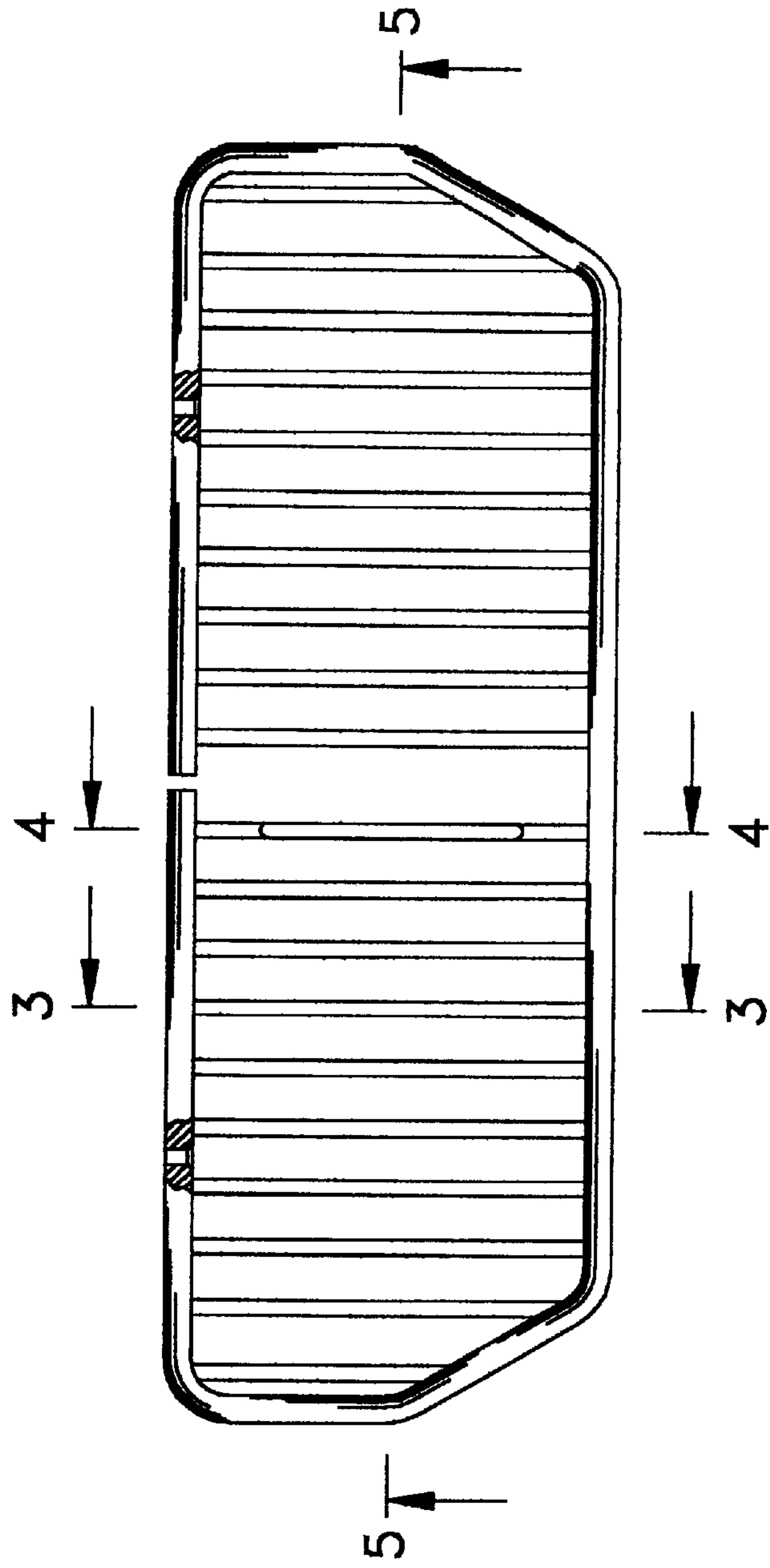


FIG. 2

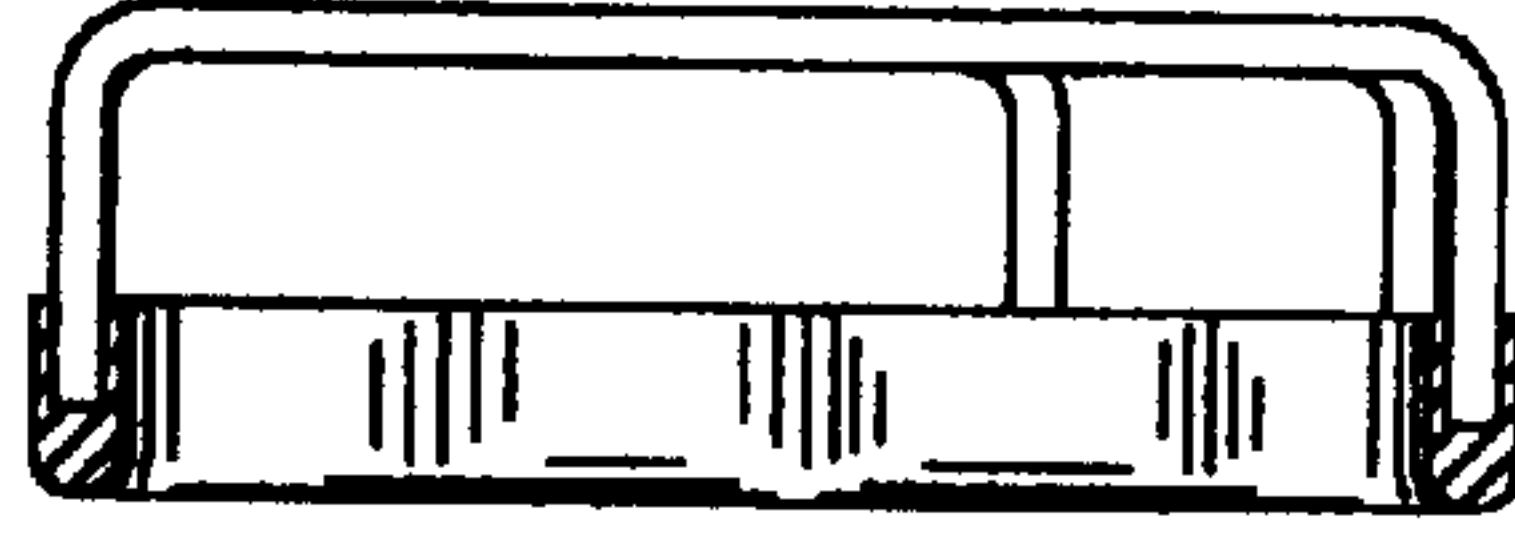


FIG. 3

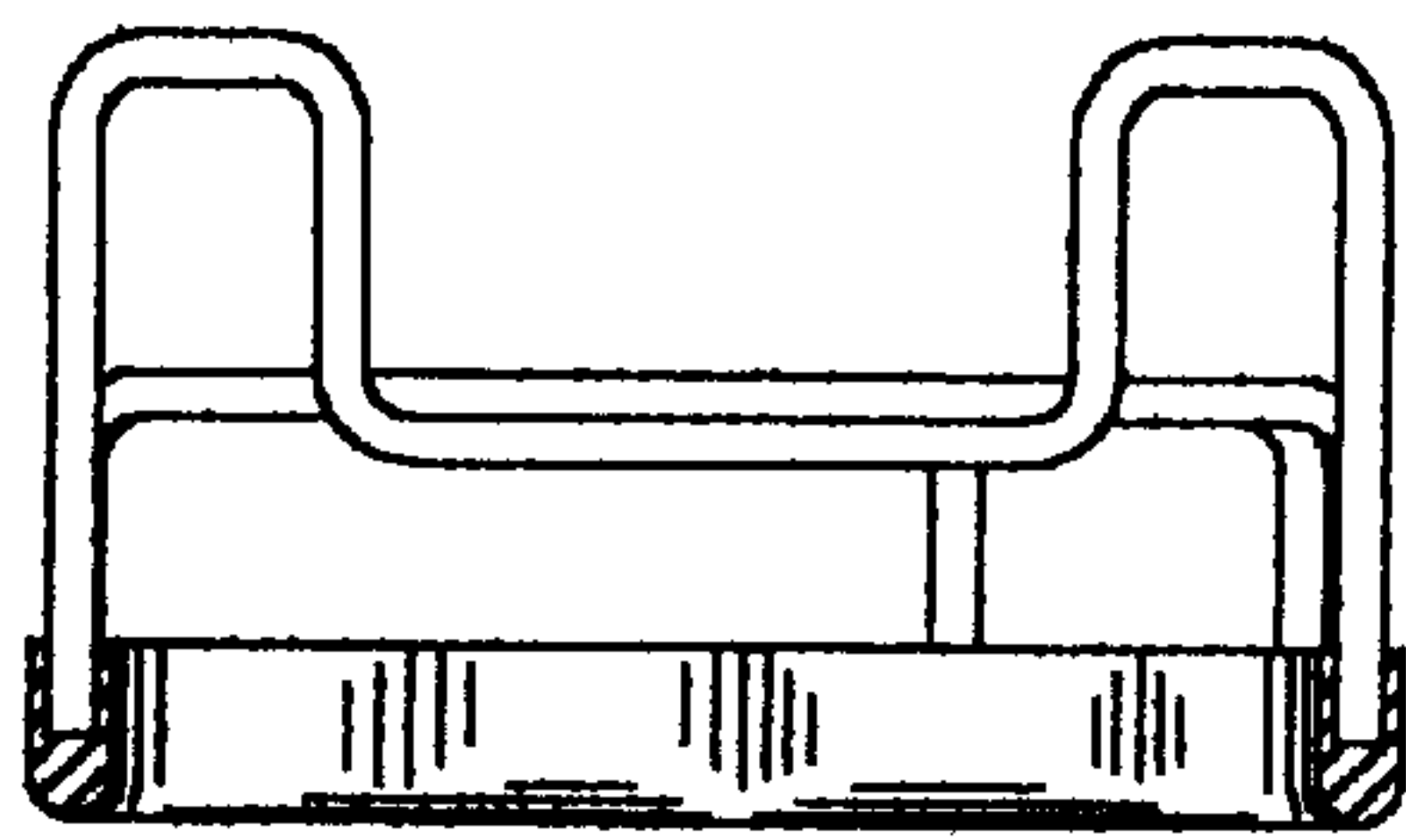


FIG. 4

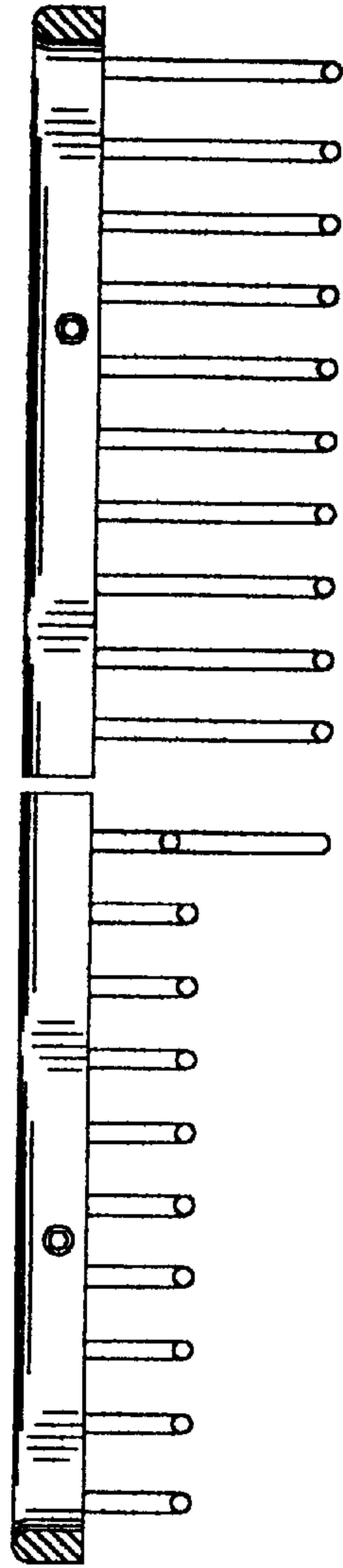


FIG. 5

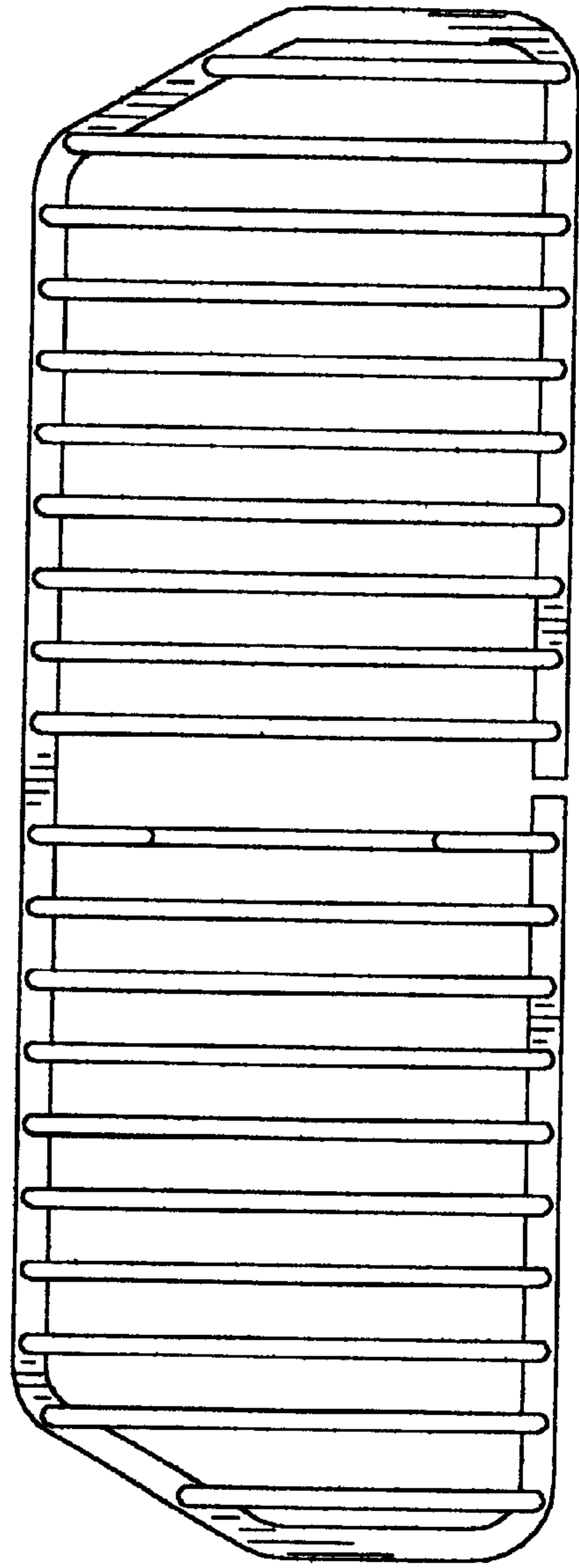


FIG. 6

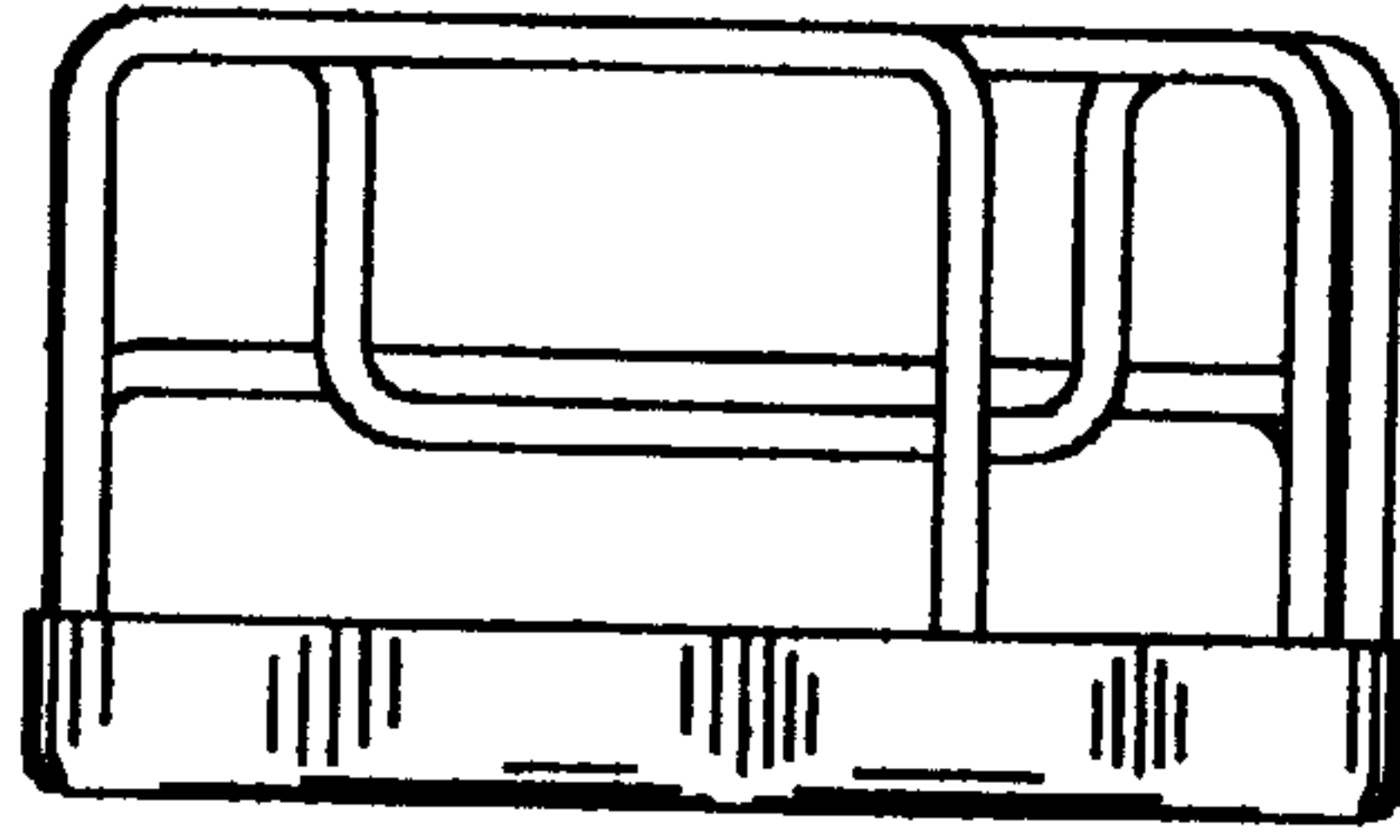


FIG. 7