



US00D444009S

(12) **United States Design Patent**
Ambrosio

(10) **Patent No.:** **US D444,009 S**

(45) **Date of Patent:** **** Jun. 26, 2001**

(54) **INTERCHANGEABLE SEAT BACK
LAMINATE PANEL**

(75) **Inventor:** **Neil Ambrosio**, Sunrise, FL (US)

(73) **Assignee:** **Pompeii Furniture Co., Inc.**

(**) **Term:** **14 Years**

(21) **Appl. No.:** **29/137,216**

(22) **Filed:** **Feb. 16, 2001**

Related U.S. Application Data

(62) Division of application No. 29/109,472, filed on Aug. 16, 1999.

(51) **LOC (7) Cl.** **06-06**

(52) **U.S. Cl.** **D6/502**

(58) **Field of Search** D6/334, 339, 348,
D6/360, 374, 379, 380, 500-502; 297/452.38

(56) **References Cited**

U.S. PATENT DOCUMENTS

D. 320,895	*	10/1991	Frnier	D6/379
D. 331,669	*	12/1992	Citterio	D6/379
D. 347,739	*	6/1994	Beaulieu	D6/360
D. 395,760	*	7/1998	Hickey	D6/360
D. 418,338	*	1/2000	Livieratos	D6/502

OTHER PUBLICATIONS

Bar stool, no page #, Shelby Williams Industries, Inc. brochure, 1985.*

3640 Classic Cushion Back Barstool, p. 5, US Seating Product brochure, Mar. 1, 1989.*

* cited by examiner

Primary Examiner—Doris V. Coles

Assistant Examiner—Mimosa De

(74) *Attorney, Agent, or Firm*—Richard S. Ross, Esq.

(57) **CLAIM**

The ornamental design for an interchangeable seat back laminate panel, as shown and described.

DESCRIPTION

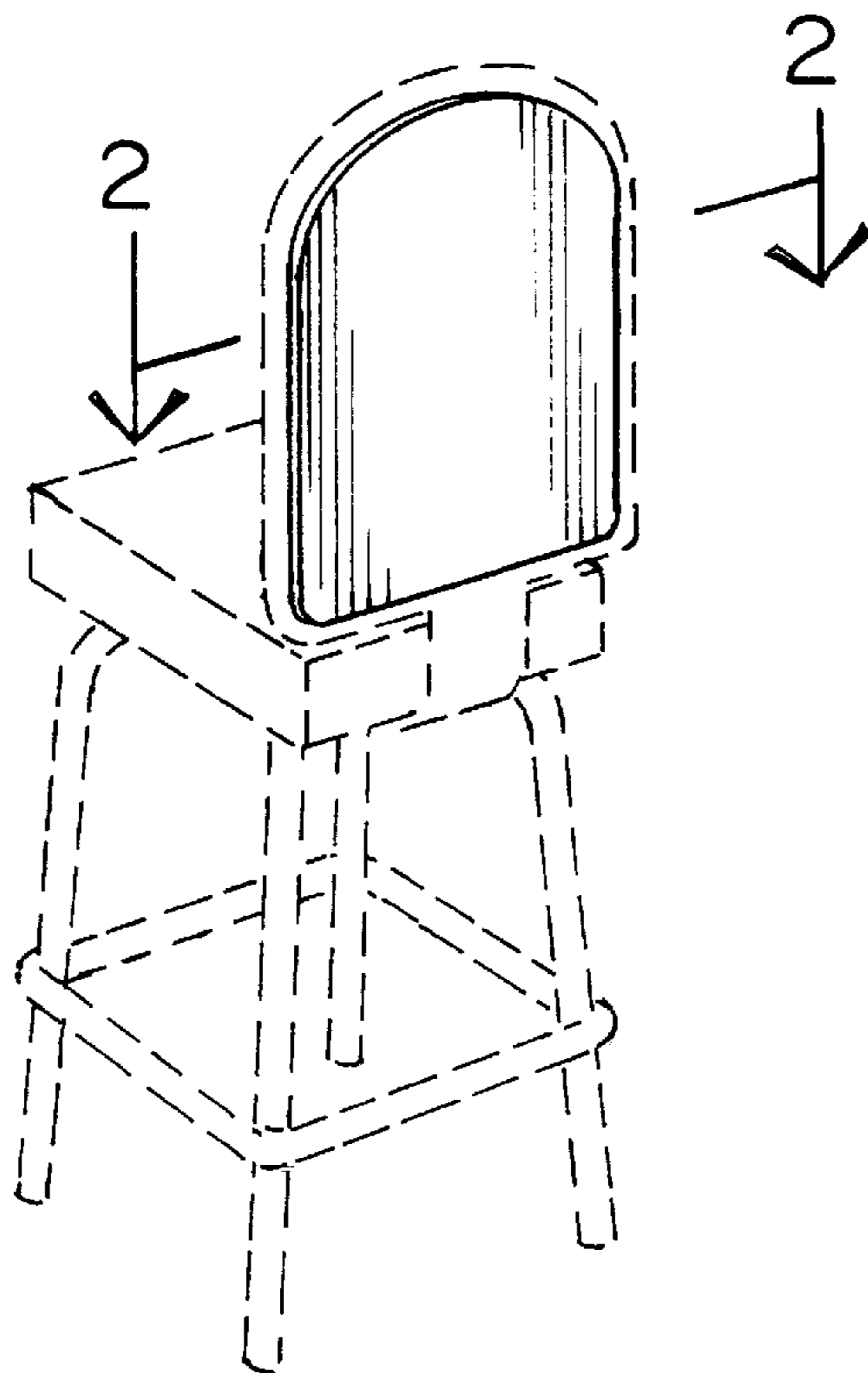
FIG. 1 is a rear perspective view of an interchangeable seat back laminate panel showing my new design;

FIG. 2 is a greatly enlarged cross sectional view thereof taken along line 2—2 in FIG. 1, it being understood that the panel has been broken away in the middle for convenience of illustration; and,

FIG. 3 is an enlarged rear elevational view thereof.

The broken line showing of the environmental structure in FIGS. 1 and 2 of the drawing is for illustrative purposes only and forms no part of the claimed design.

1 Claim, 1 Drawing Sheet



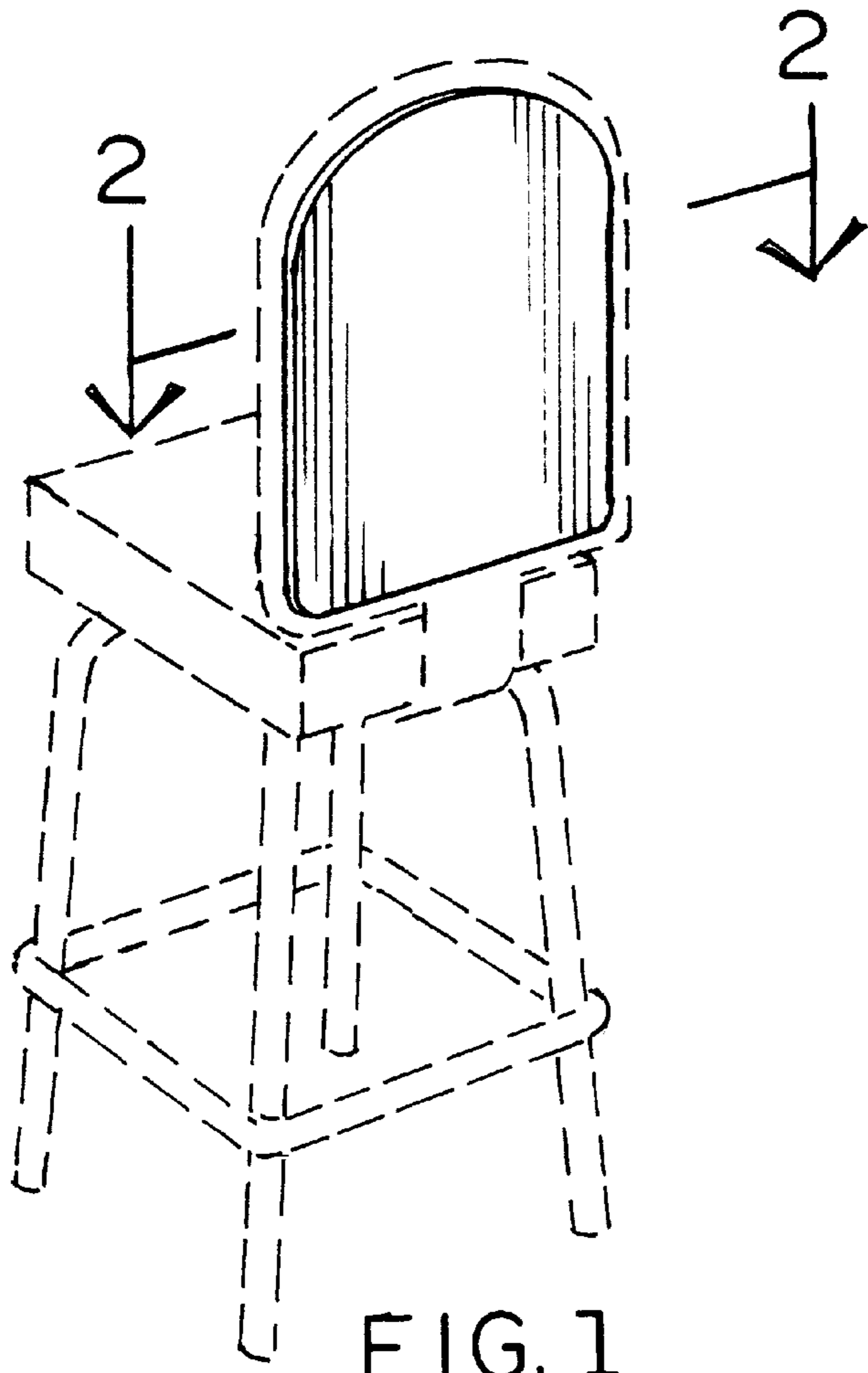


FIG. 1

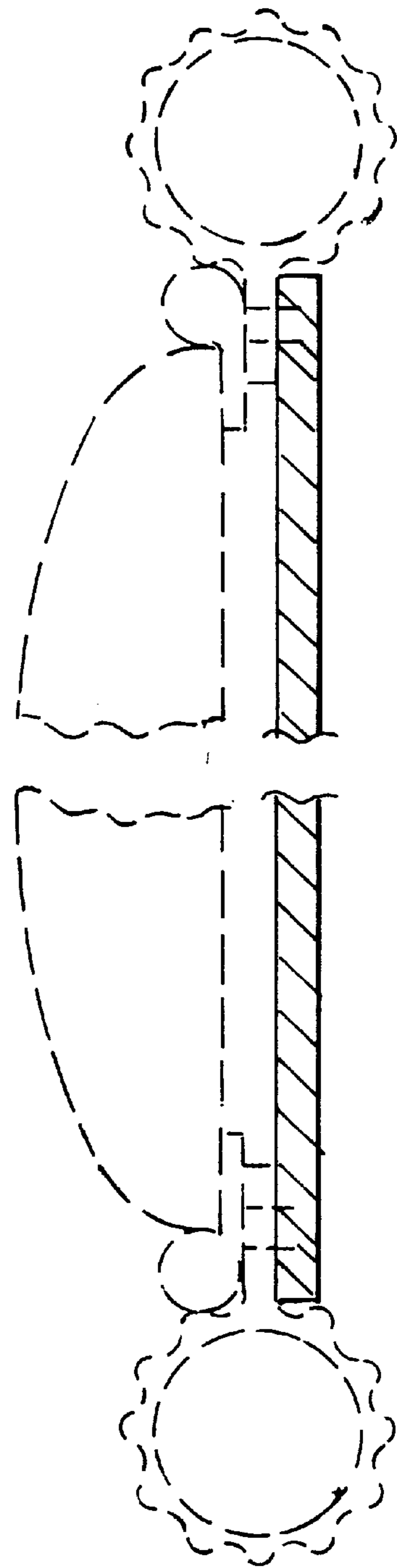


FIG. 2

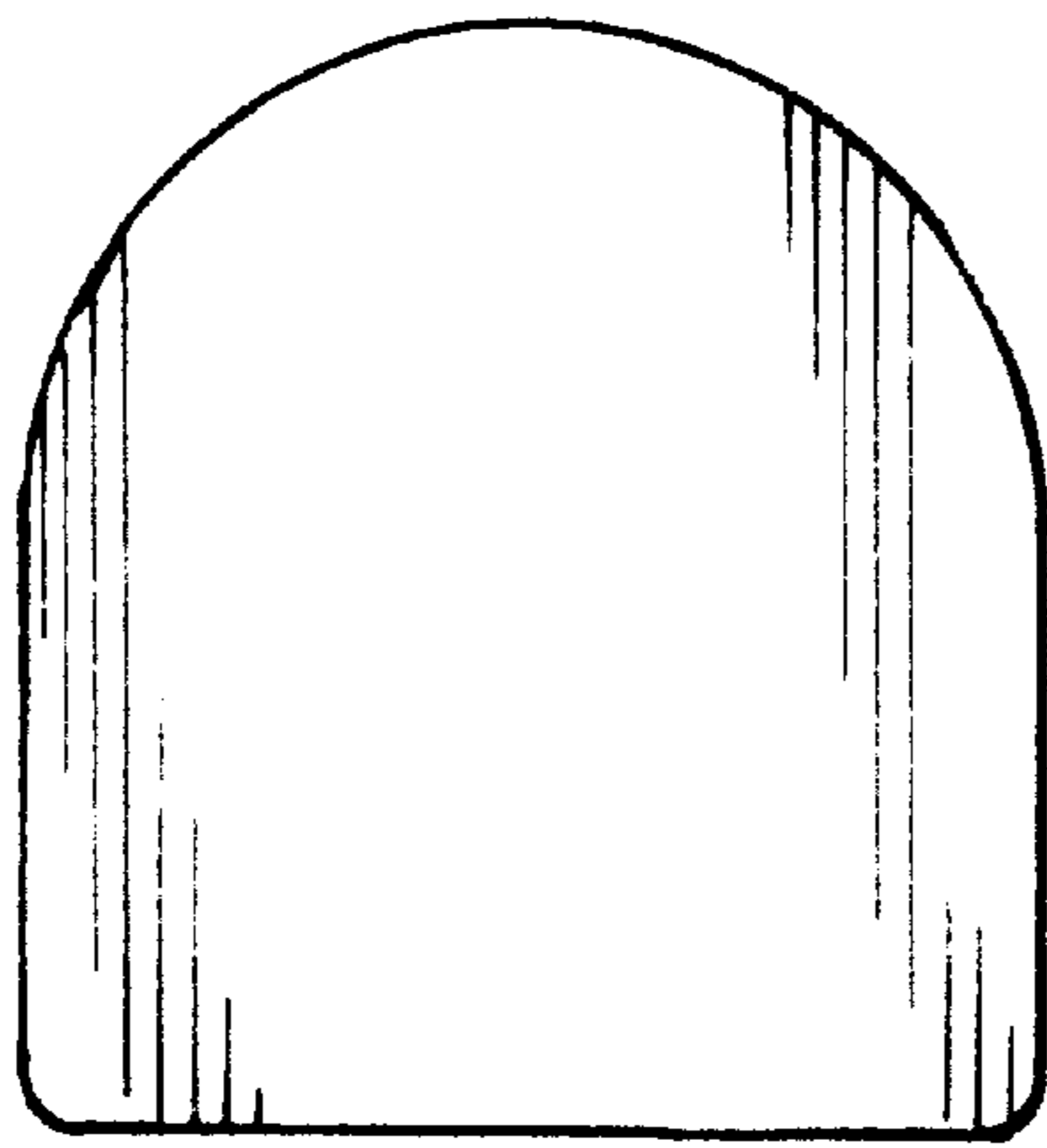


FIG. 3