



US00D444005S

(12) **United States Design Patent**
Walters-Dowding et al.

(10) **Patent No.:** **US D444,005 S**

(45) **Date of Patent:** **** Jun. 26, 2001**

(54) **SNOWMAN STAND**

(75) Inventors: **Andrea Walters-Dowding**, Dresden;
Lynn Lippert, Newark, both of OH
(US); **Russell Gilbert; Durward**
Staten, both of Mountain View, AR
(US)

(73) Assignee: **The Longaberger Company**, Newark,
OH (US)

(**) Term: **14 Years**

(21) Appl. No.: **29/115,561**

(22) Filed: **Dec. 16, 1999**

(51) **LOC (7) Cl.** **06-06**

(52) **U.S. Cl.** **D6/462**

(58) **Field of Search** D6/462, 463, 464,
D6/563, 566; 211/90.01, 90.02, 90.03, 133.1,
133.2, 181.1, 119.003; 248/127, 146, 153;
D11/157, 164, 181

(56) **References Cited**

U.S. PATENT DOCUMENTS

D. 206,921 * 2/1967 Burchett D6/462

D. 249,027 8/1978 Dibble D11/125
D. 285,992 * 10/1986 De Vries D6/462
D. 367,373 * 2/1996 Hardy D6/396
D. 398,258 9/1998 Lee D11/121
D. 401,887 * 12/1998 Yang D6/472
1,889,670 * 11/1932 Knipe 248/153
2,519,711 * 8/1950 Sprechmann D6/462 X

* cited by examiner

Primary Examiner—Prabhakar Deshmukh

(74) *Attorney, Agent, or Firm*—Porter, Wright, Morris &
Arthur LLP

(57) **CLAIM**

The ornamental design for snowman stand, as shown and
described.

DESCRIPTION

FIG. 1 is a perspective view of the snowman stand showing
our new design;
FIG. 2 is a front view, the back being a mirror image thereof;
FIG. 3 is a right side view thereof;
FIG. 4 is a left side view thereof;
FIG. 5 is a top view thereof; and,
FIG. 6 is a bottom view thereof.

1 Claim, 5 Drawing Sheets

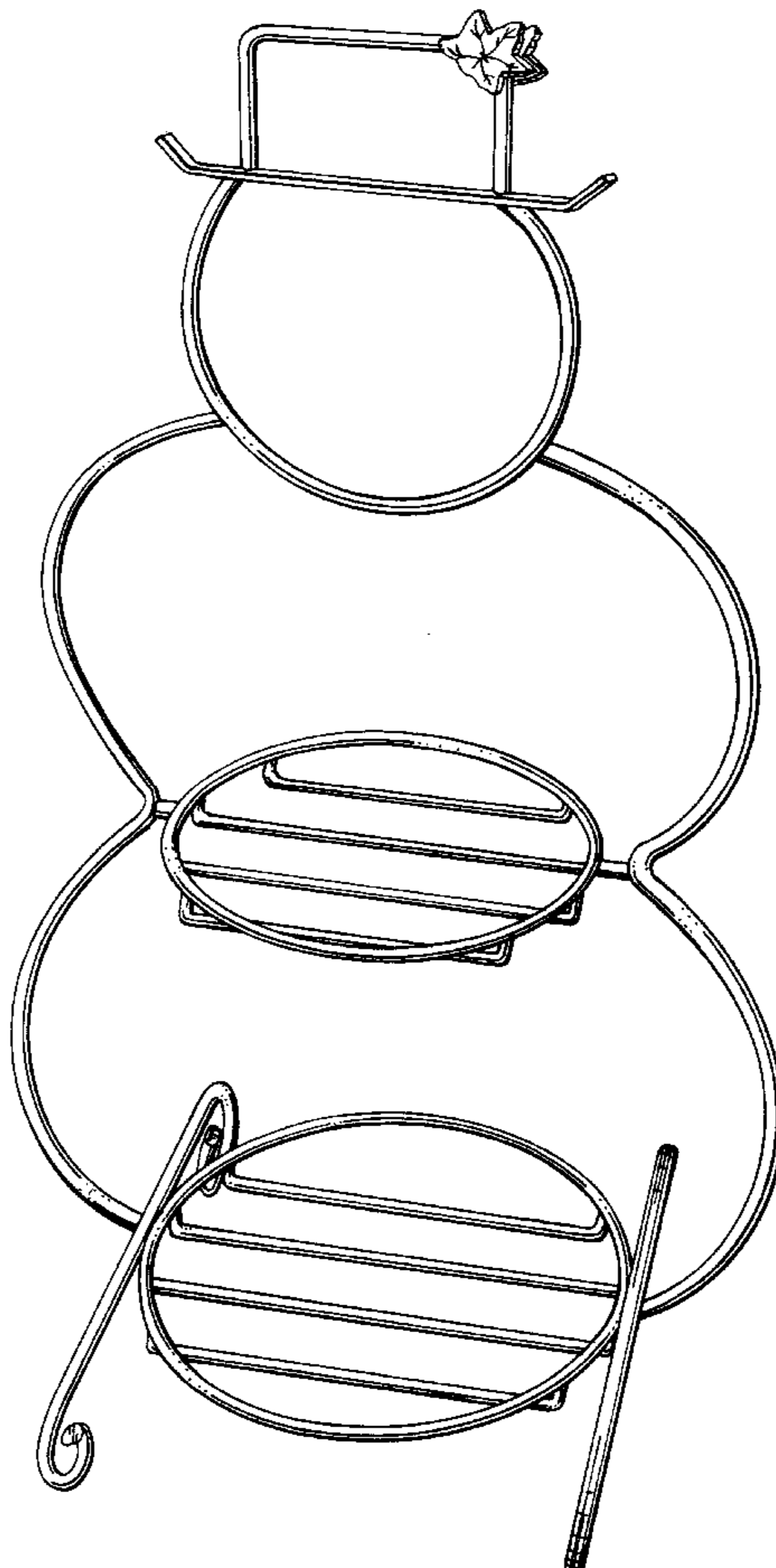


Fig. 1

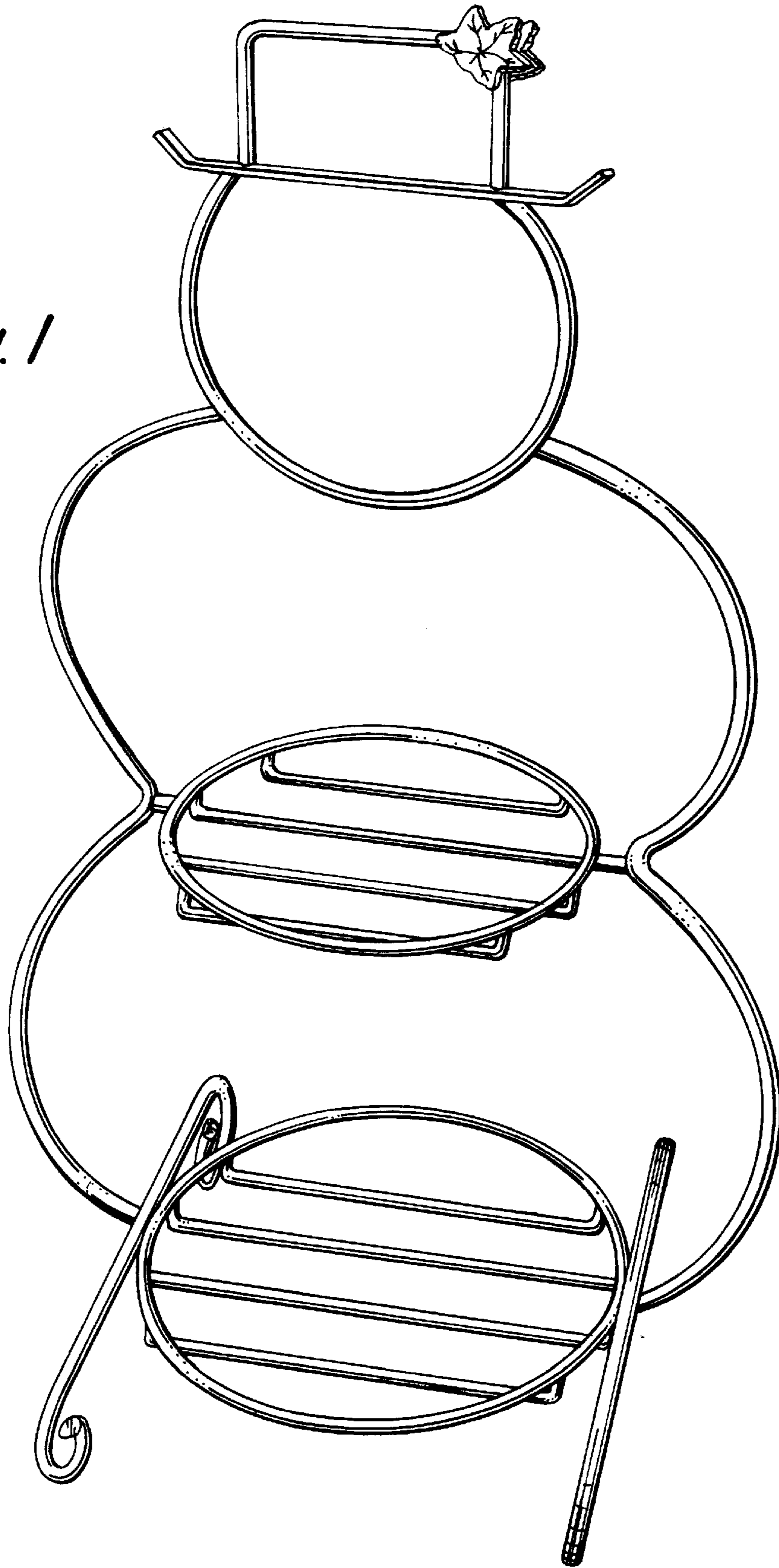


Fig. 2

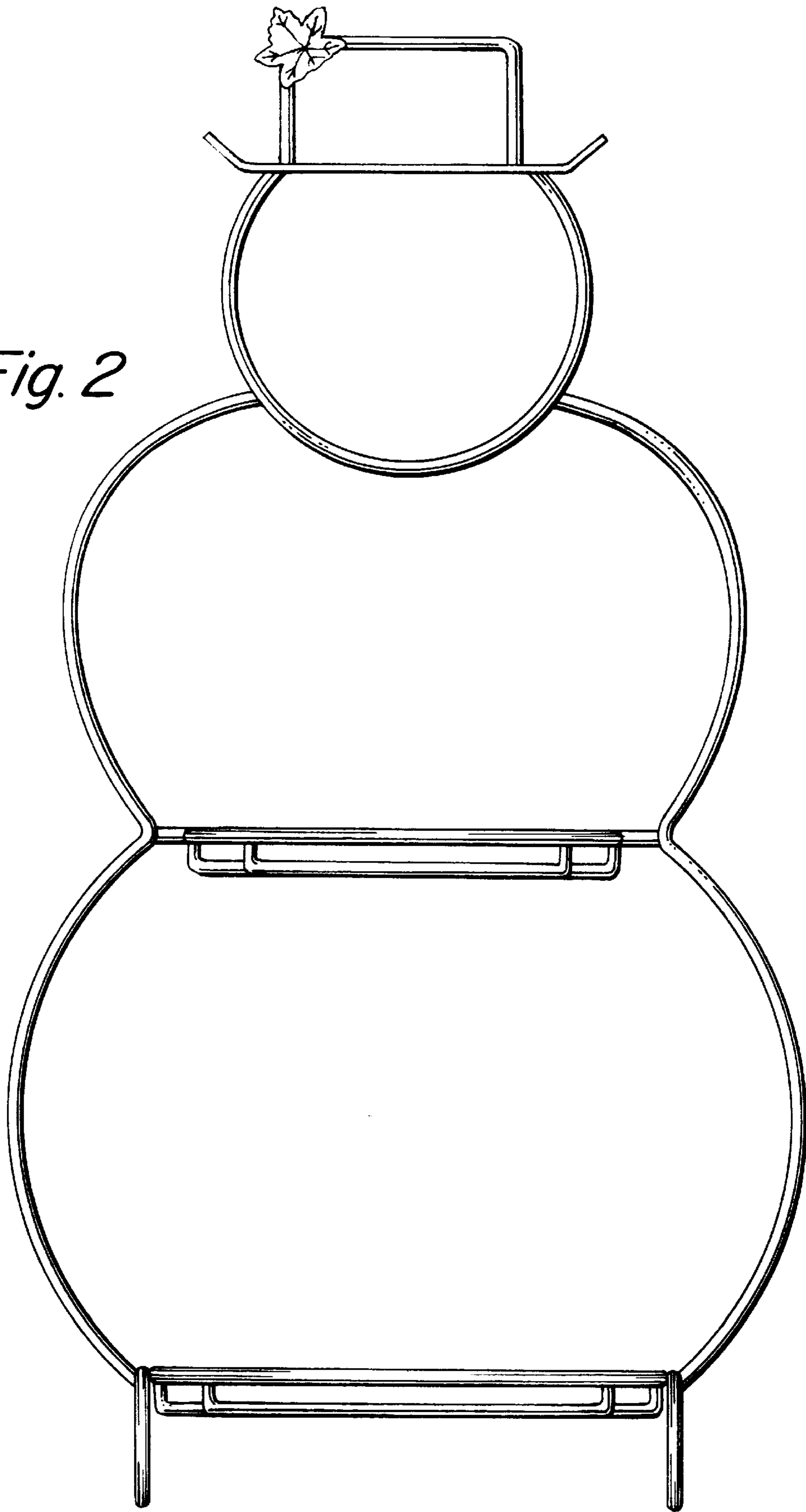


Fig. 3

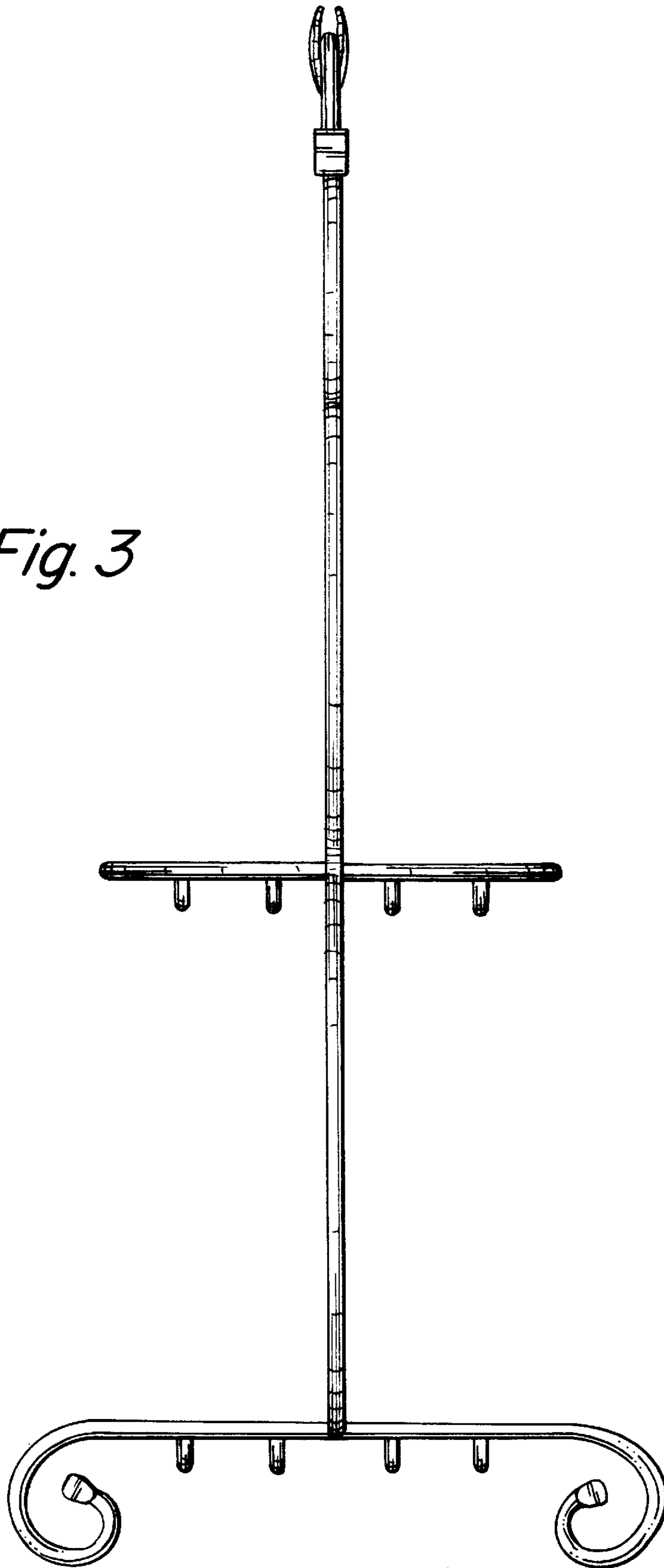
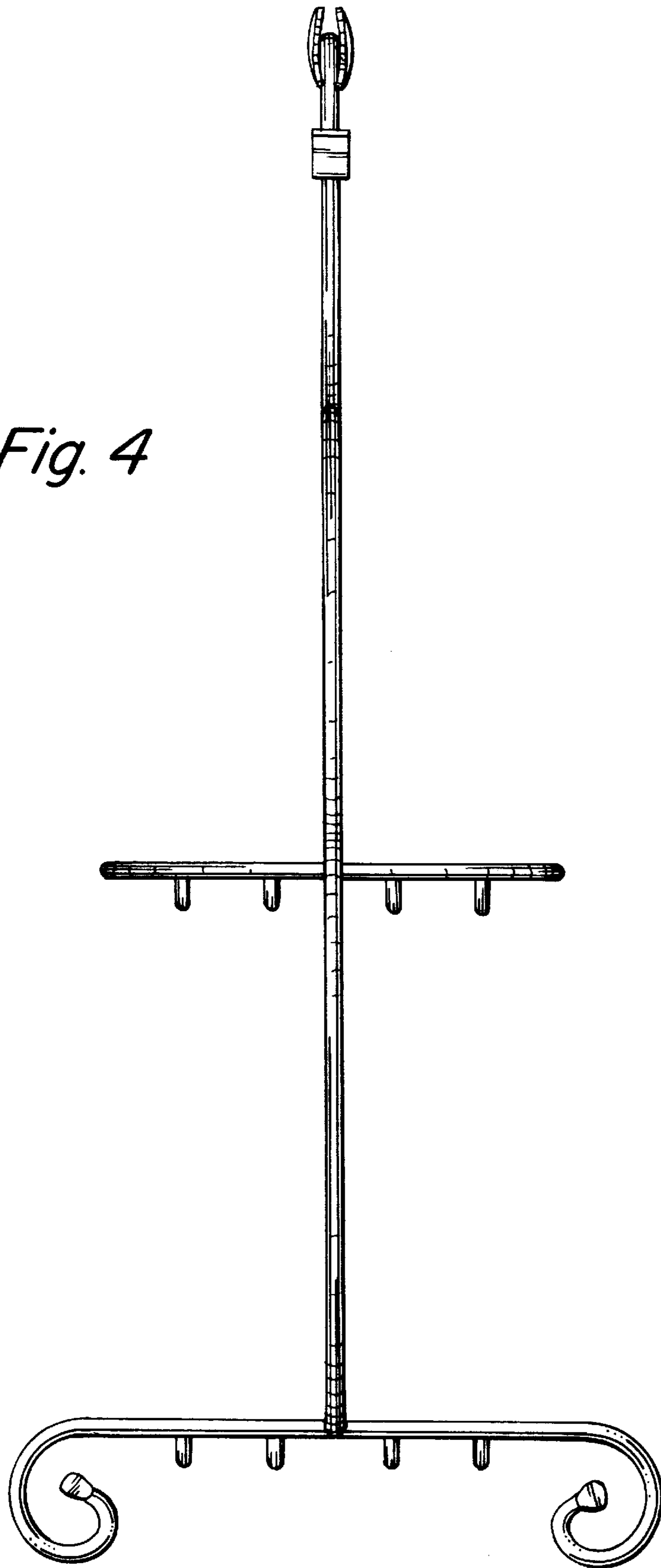


Fig. 4



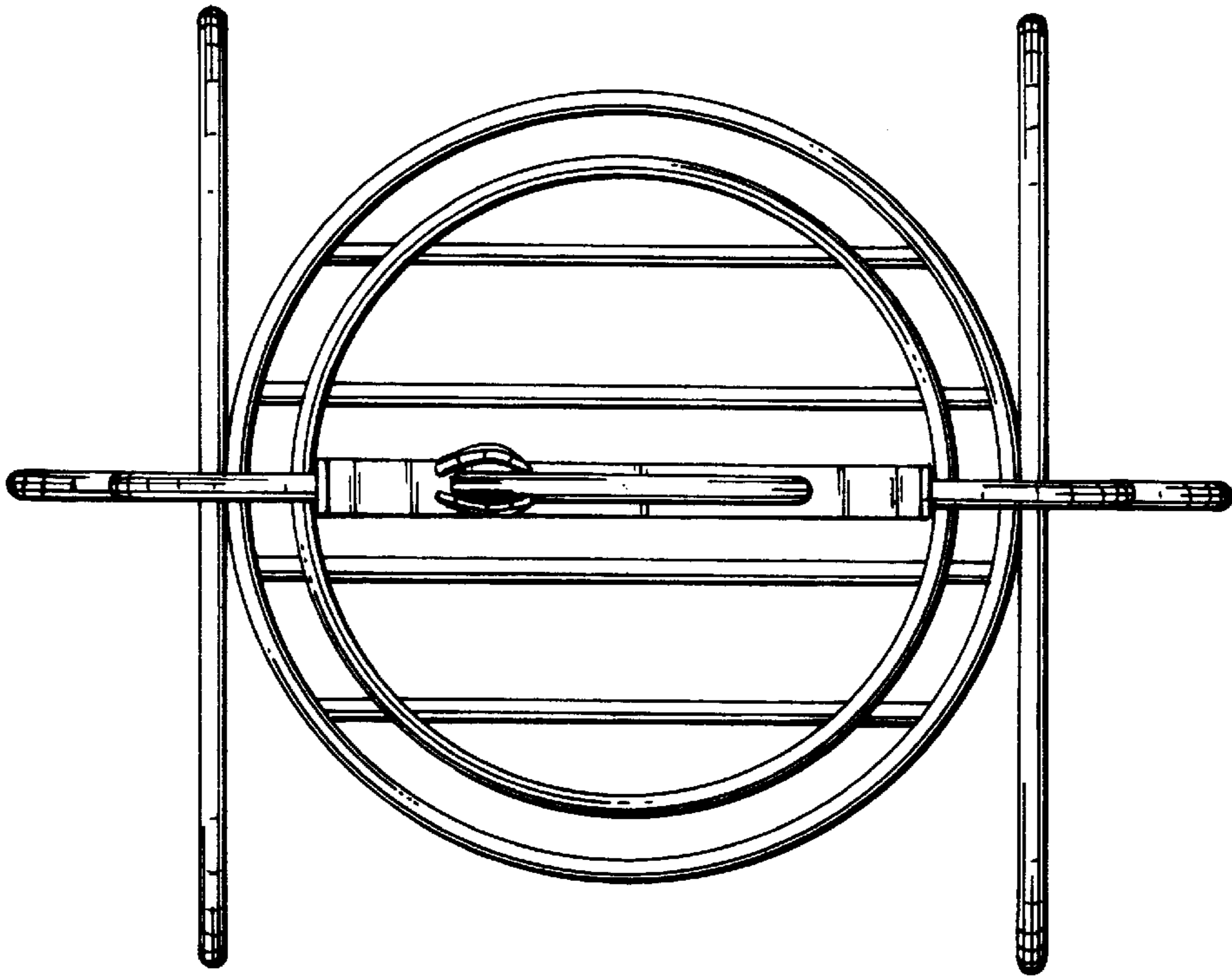


Fig. 5

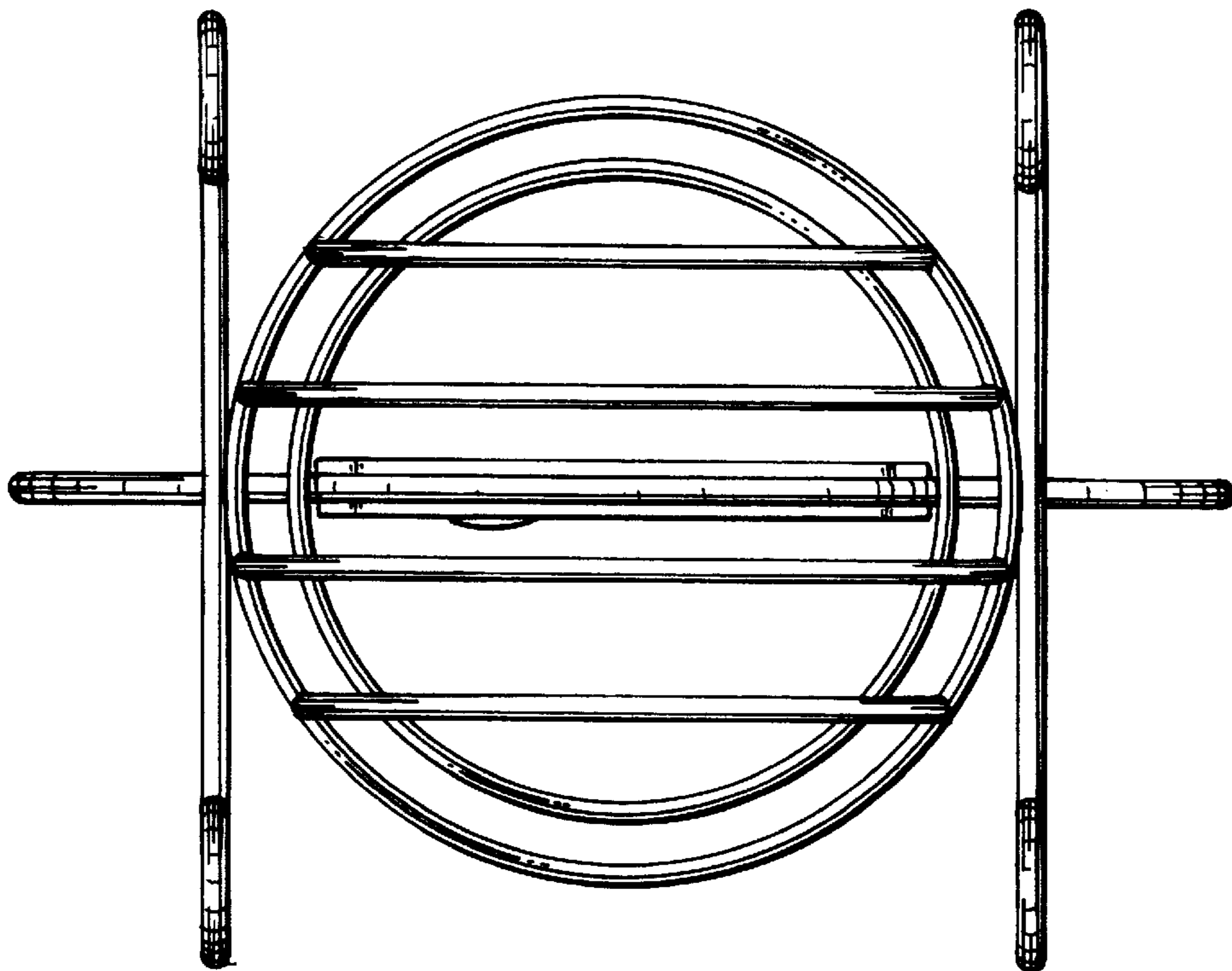


Fig. 6