



US00D444001S

(12) **United States Design Patent**
Minami

(10) **Patent No.:** **US D444,001 S**

(45) **Date of Patent:** **** Jun. 26, 2001**

(54) **NAIL TABLE**

4,887,538 * 12/1989 Arnold 108/185

(75) Inventor: **Nobuyuki Minami**, Osaka (JP)

OTHER PUBLICATIONS

(73) Assignee: **Oohiro Works, Ltd.**, Osaka (JP)

Inmac, Jun. 1987, p. 191, table in center.*
Jacobs Gardner, 1988, p. 72 table at top left.*

(**) Term: **14 Years**

* cited by examiner

(21) Appl. No.: **29/125,578**

Primary Examiner—Janice E. Seeger

(22) Filed: **Jun. 26, 2000**

(74) *Attorney, Agent, or Firm*—Burr & Brown

(30) **Foreign Application Priority Data**

(57) **CLAIM**

Jan. 14, 2000 (JP) 12-000329

The ornamental design for a nail table, as shown and described.

(51) **LOC (7) Cl.** **06-04**

DESCRIPTION

(52) **U.S. Cl.** **D6/422; D6/474; D6/480**

(58) **Field of Search** D6/422–428, 511,
D6/477, 479, 474, 484; 312/194–196, 239,
208.1; 108/59, 50.01, 50.02

FIG. 1 is a front view of a nail table in accordance with my new design;

FIG. 2 is a back view thereof;

FIG. 3 is a right side view thereof;

FIG. 4 is a left side view thereof;

FIG. 5 is a top view thereof;

FIG. 6 is a bottom view thereof;

FIG. 7 is a 7–7 line sectional view thereof; and,

FIG. 8 is a reference perspective view thereof.

(56) **References Cited**

U.S. PATENT DOCUMENTS

- D. 273,337 * 4/1984 Semerjian et al. D34/21
- D. 343,305 * 1/1994 Ng et al. D6/430
- D. 396,576 * 8/1998 Moore D6/422
- D. 406,201 * 3/1999 Olson et al. D6/426

1 Claim, 4 Drawing Sheets

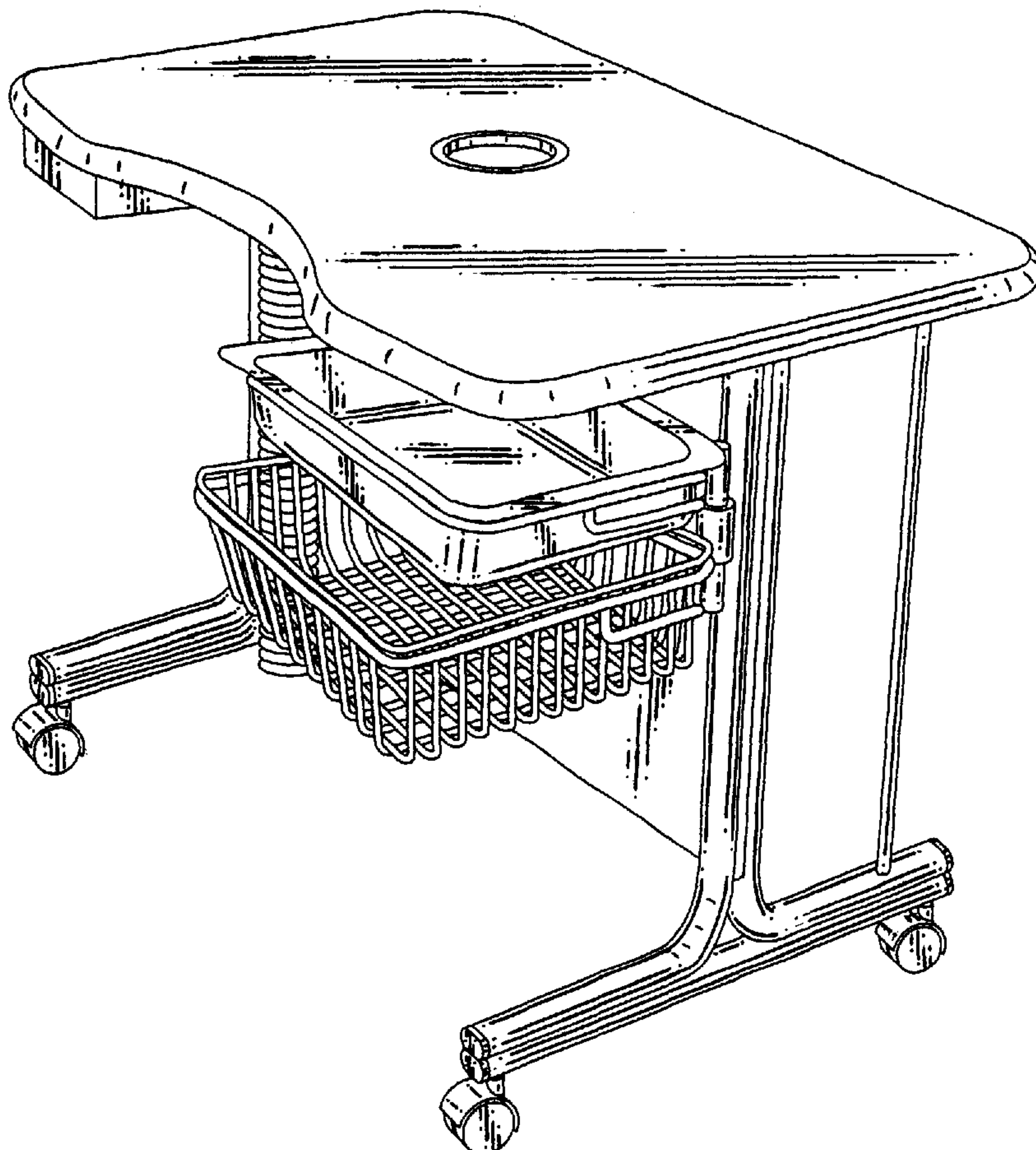


Fig.1

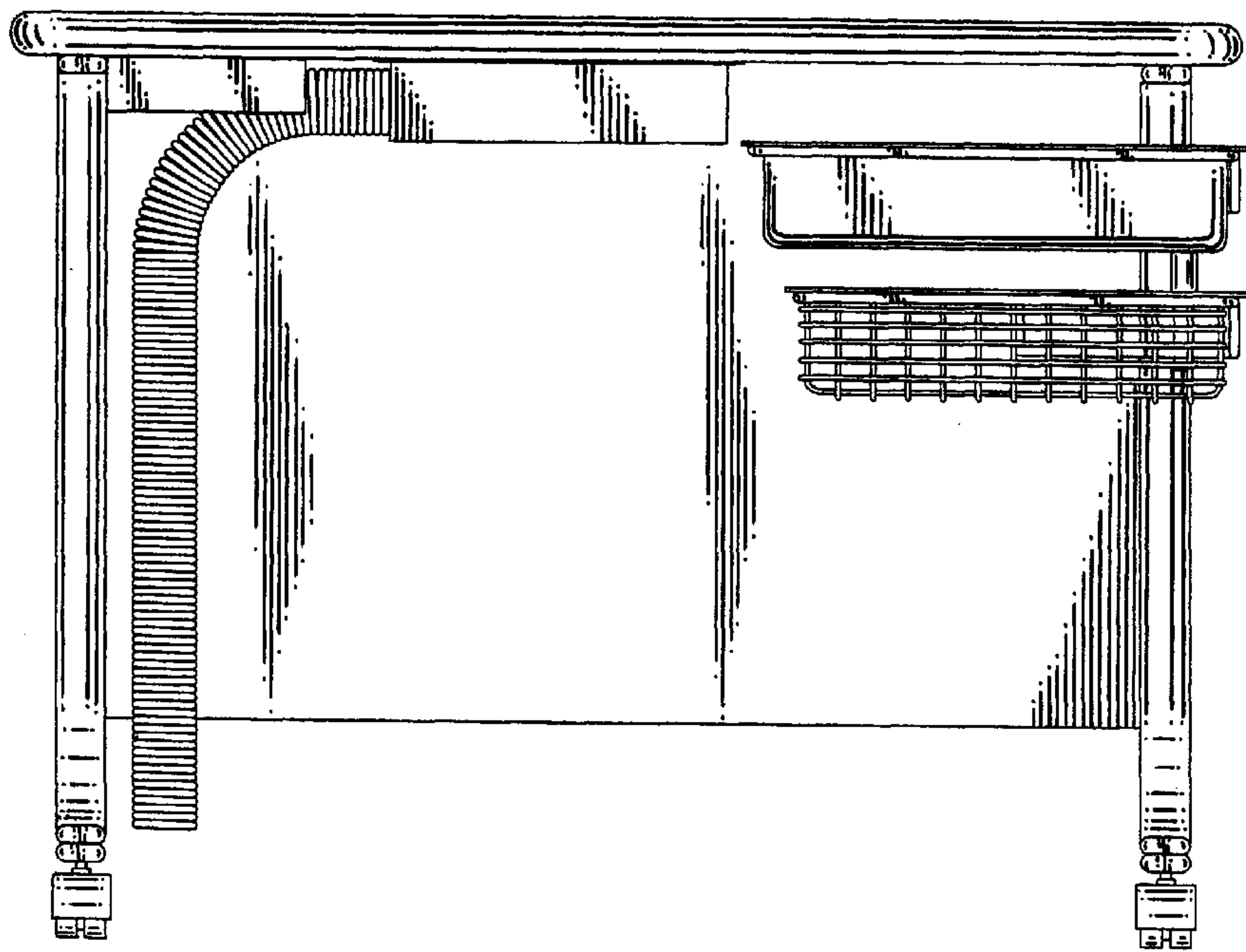


Fig.2

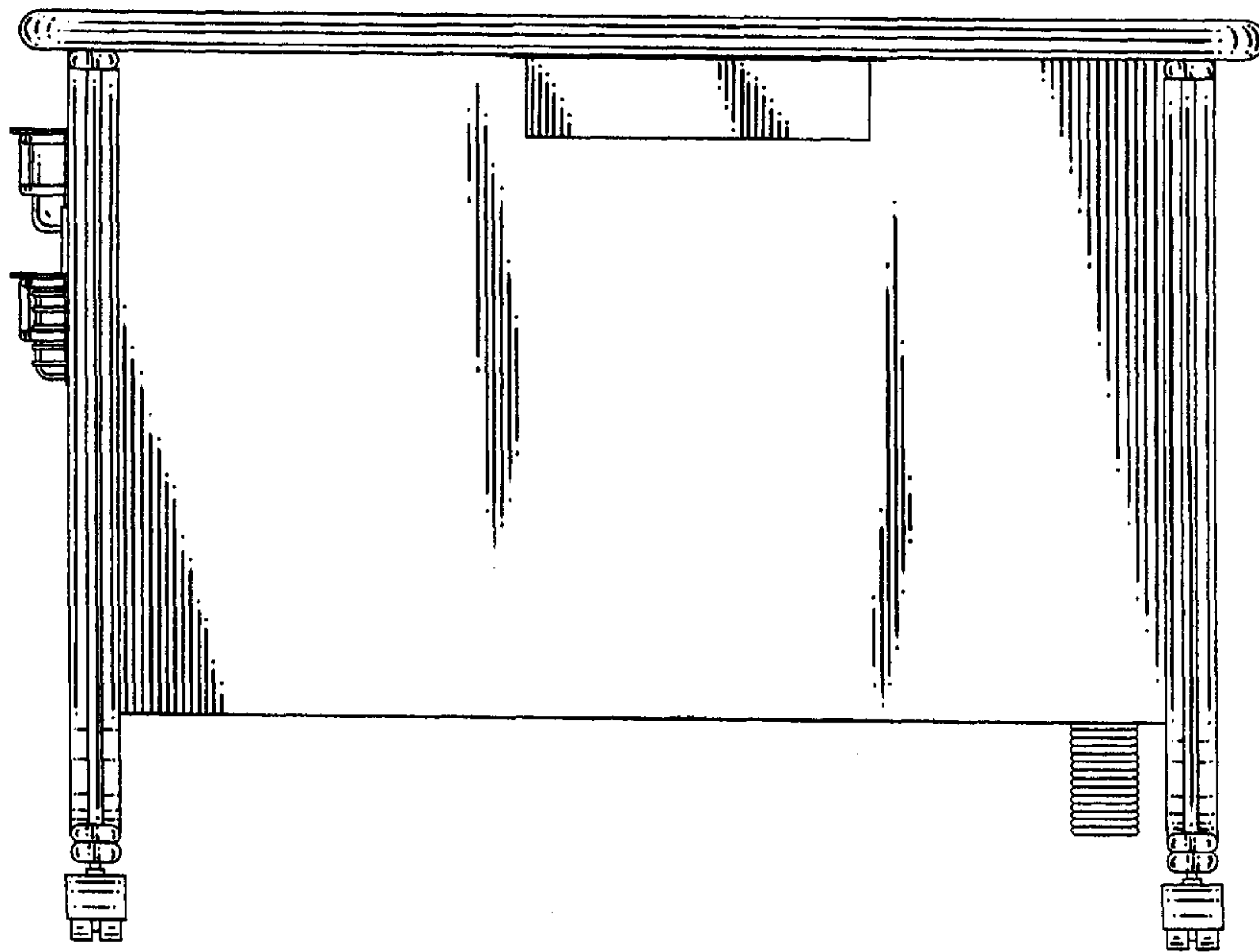


Fig.3

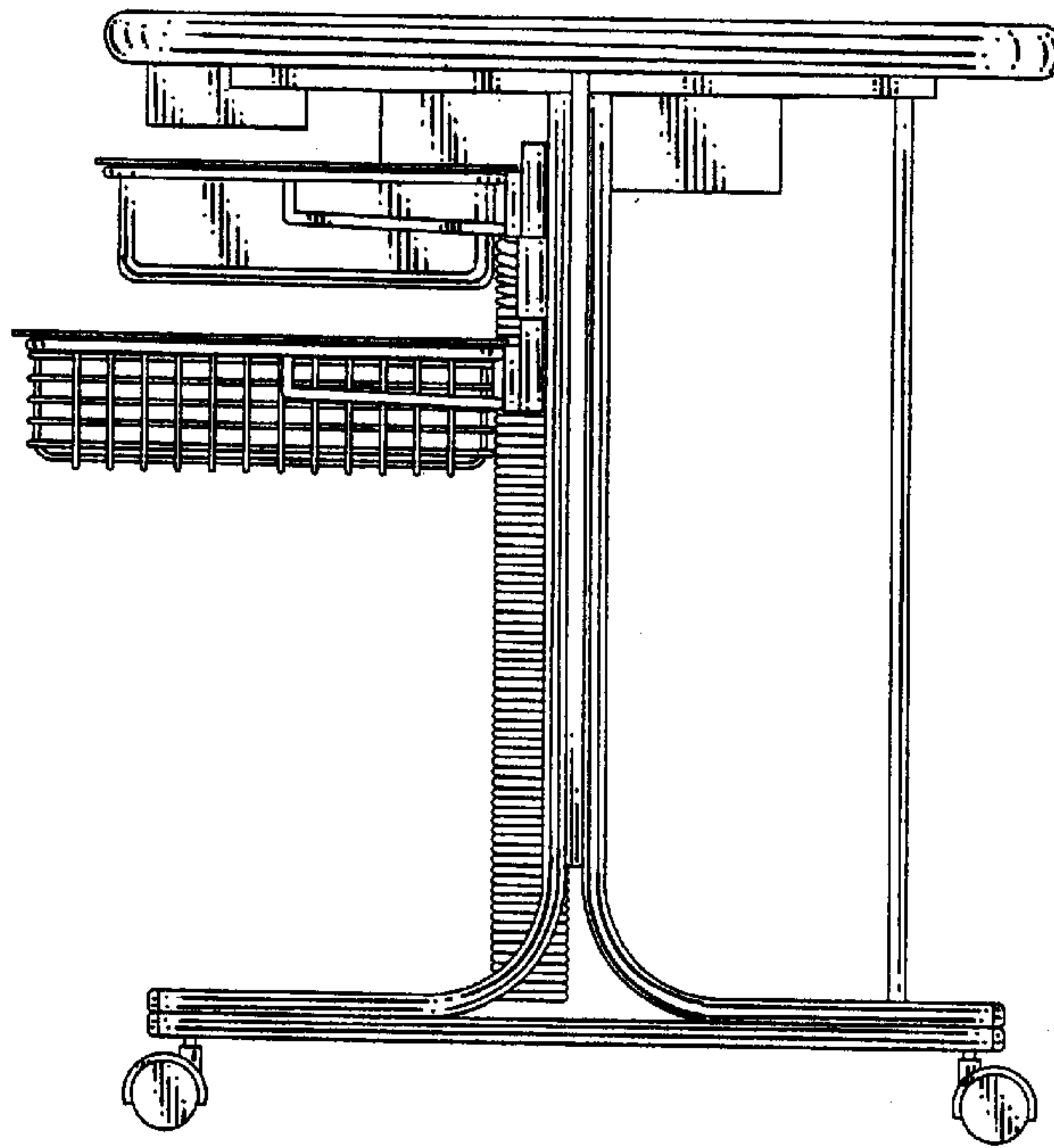


Fig.4

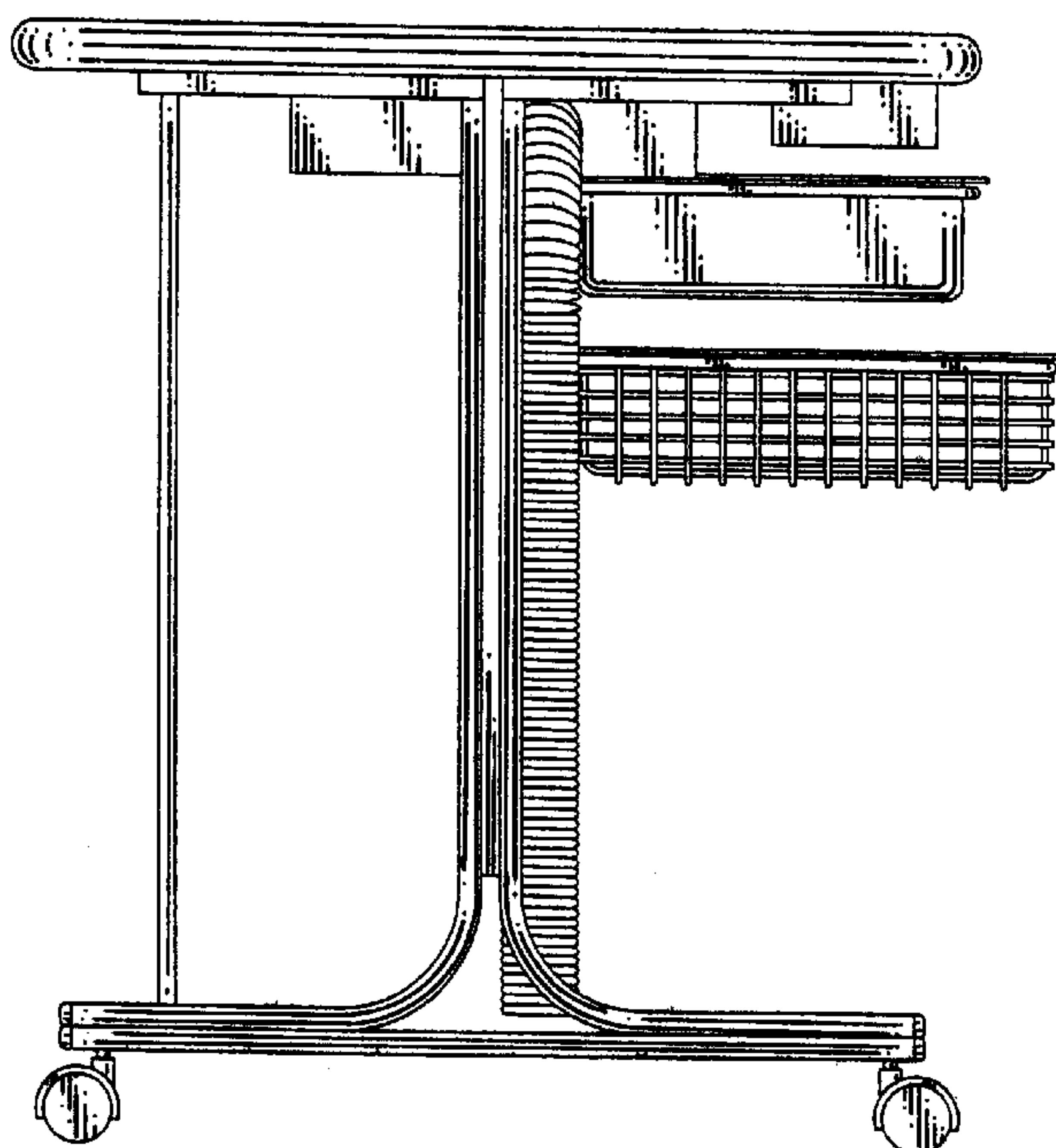


Fig.5

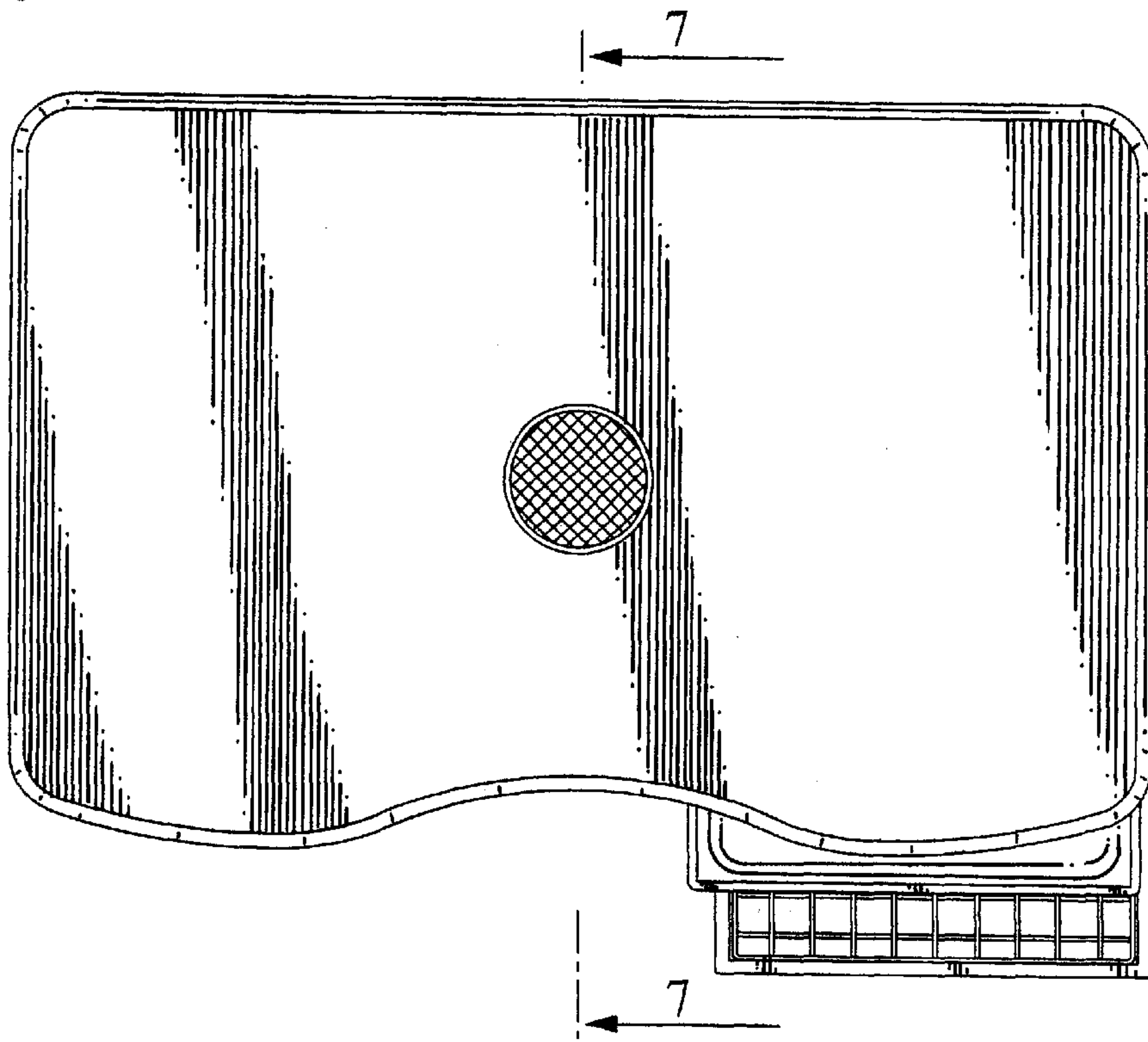


Fig.6

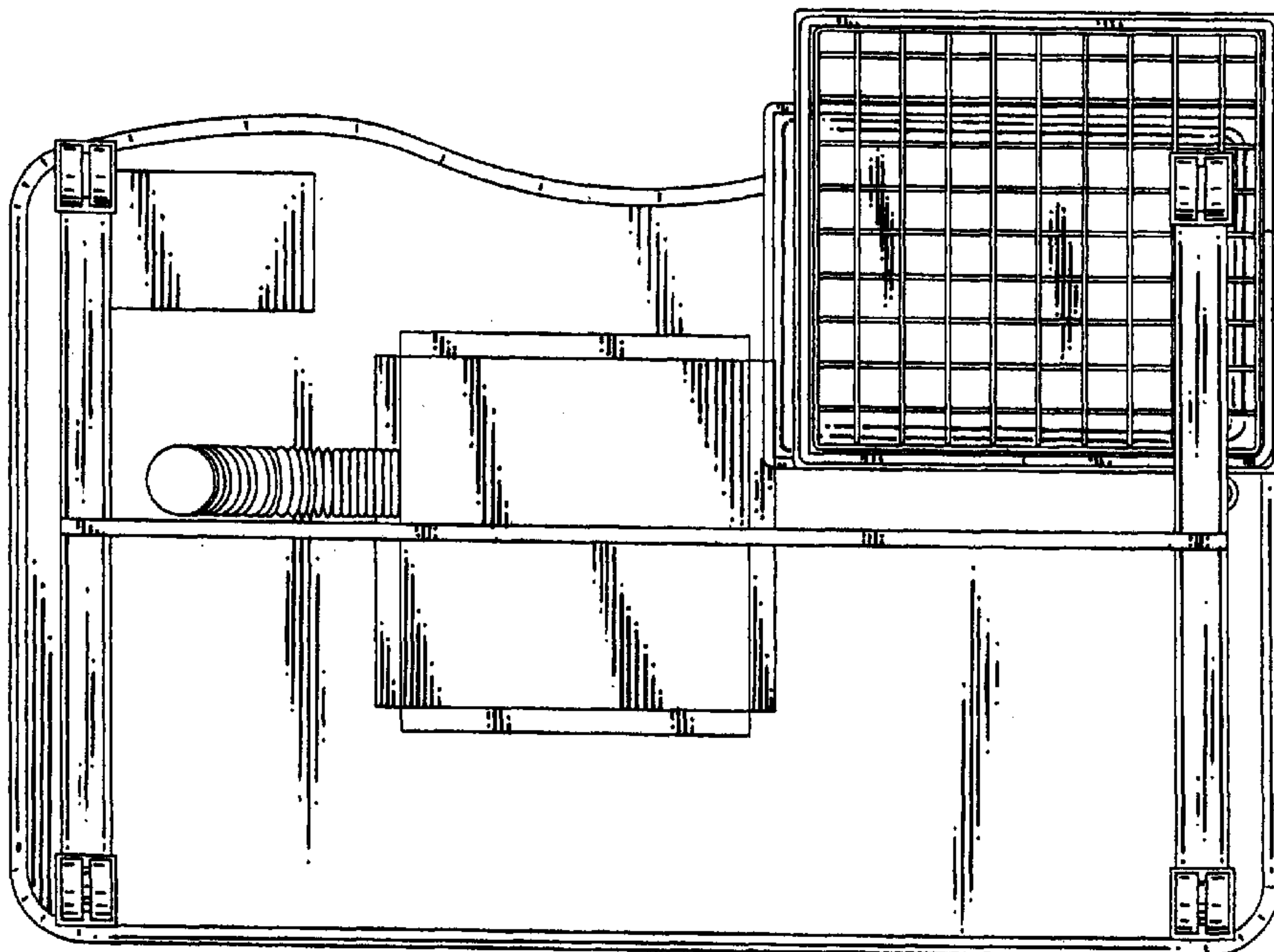


Fig.7

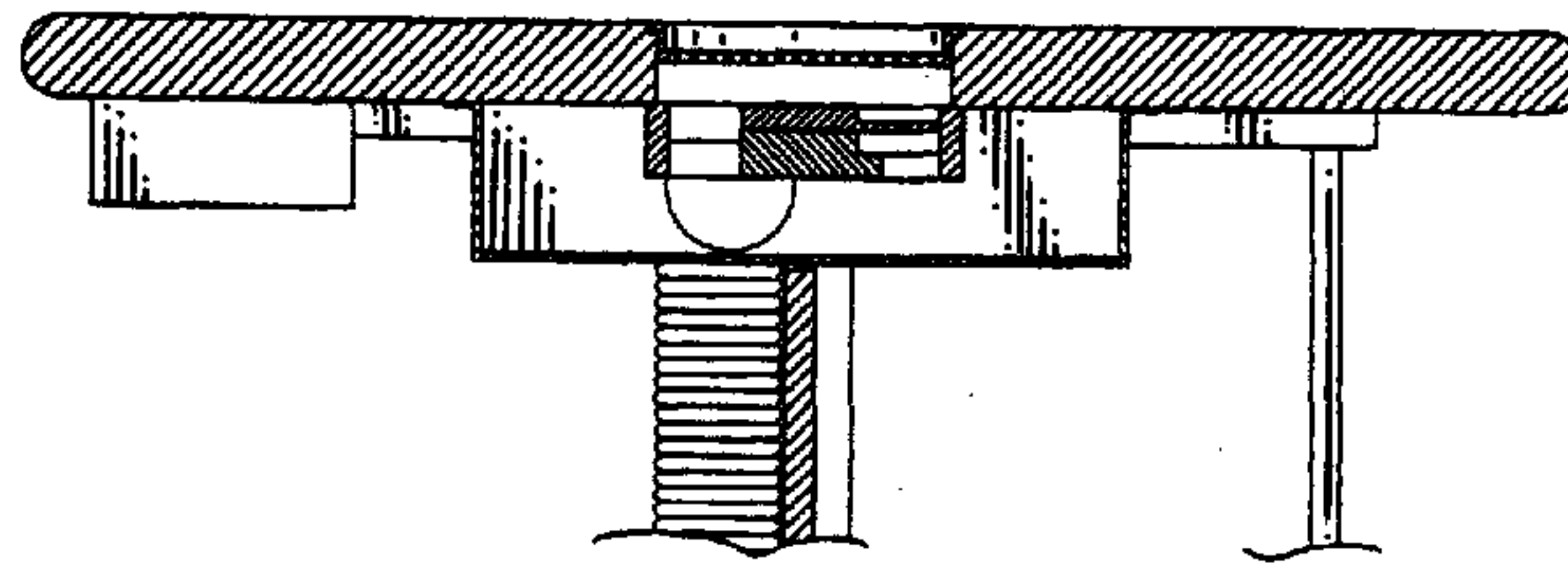


Fig.8

