



US00D443999S

(12) **United States Design Patent**
Cable

(10) **Patent No.:** **US D443,999 S**

(45) **Date of Patent:** **** Jun. 26, 2001**

(54) **PORTABLE LAP DESK**

(76) **Inventor:** **Clinton D. Cable**, 8657 Golf Dr.,
Spring Valley, CA (US) 91977

(**) **Term:** **14 Years**

(21) **Appl. No.:** **29/131,629**

(22) **Filed:** **Oct. 24, 2000**

(51) **LOC (7) Cl.** **06-06**

(52) **U.S. Cl.** **D6/406.4; D6/406.6**

(58) **Field of Search** D6/406.3, 406.4,
D6/406.5, 406.6, 511, 310; 224/483; 108/44,
24; 297/153; 281/42, 45; D19/52, 91, 88;
269/54.5, 900; D12/426.1; D3/299; 248/459

(56) **References Cited**

U.S. PATENT DOCUMENTS

- D. 258,479 * 3/1981 Mills D6/310
- D. 273,537 * 4/1984 Gerch D3/299
- D. 276,732 * 12/1984 Marquez D19/52
- D. 312,358 * 11/1990 Horne D12/426.1
- D. 317,788 * 6/1991 DeWitt D19/88
- D. 328,985 * 9/1992 Sheldon D6/406.4

- D. 335,227 * 5/1993 Lapsker et al. D6/449
- D. 354,636 * 1/1995 Cable D6/406.4
- D. 374,357 * 10/1996 McCray et al. D6/406.4
- D. 384,699 * 10/1997 Greene D19/91
- D. 413,741 * 9/1999 Haynes D6/406.4
- D. 426,409 * 6/2000 Clark et al. D6/511

* cited by examiner

Primary Examiner—M. N. Pandozzi

(74) *Attorney, Agent, or Firm*—Gary L. Eastman, Esq.

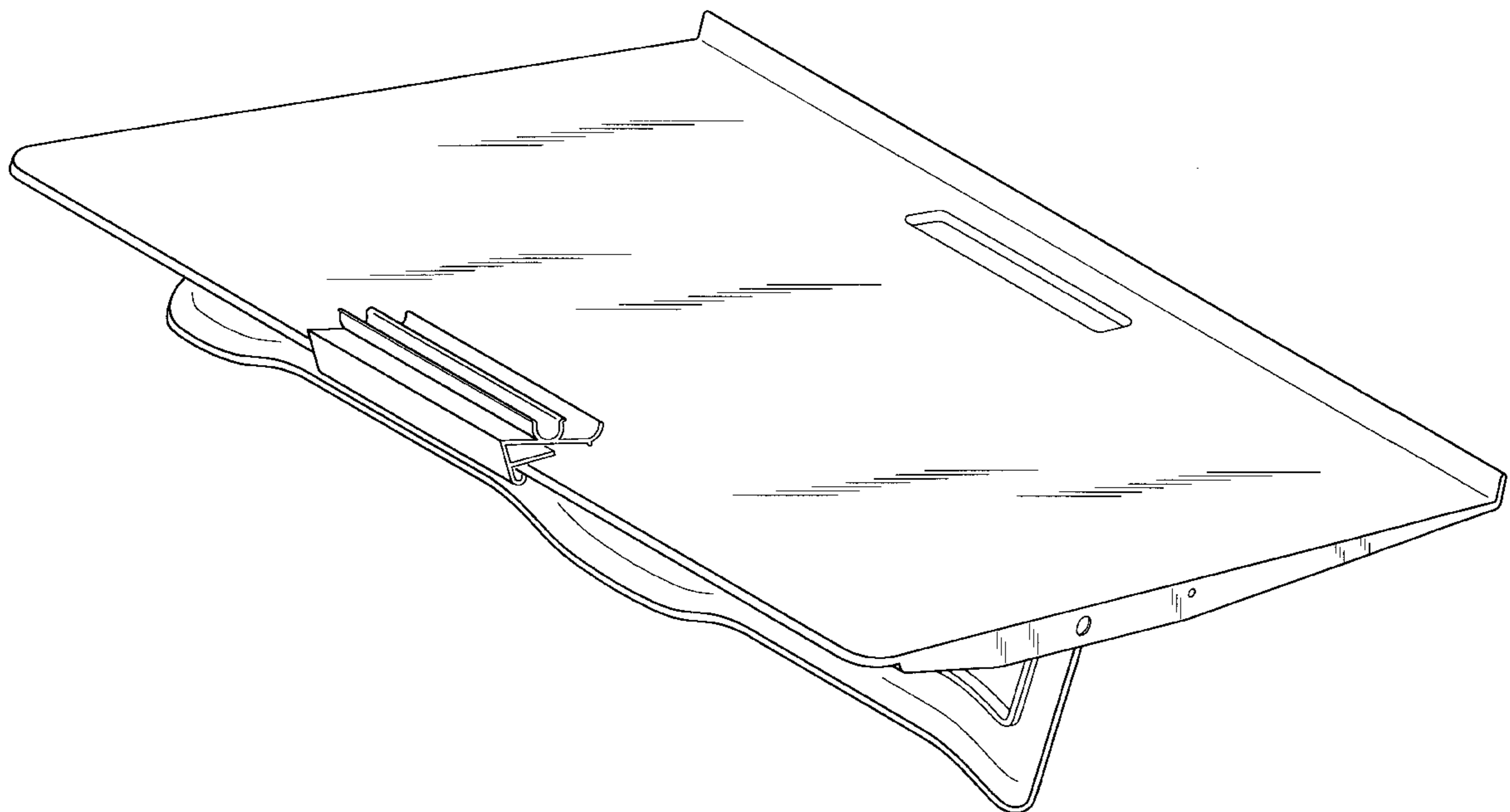
(57) **CLAIM**

The ornamental design for a portable lap desk, as shown.

DESCRIPTION

- FIG. 1 is a perspective view of the portable lap desk showing my new design;
- FIG. 2 is a front view of the portable lap desk;
- FIG. 3 is a back view of the portable lap desk;
- FIG. 4 is a top view of the portable lap desk;
- FIG. 5 is a bottom view of the portable lap desk;
- FIG. 6 is a right side view of the portable lap desk; and,
- FIG. 7 is a left side view of the portable lap desk.

1 Claim, 4 Drawing Sheets



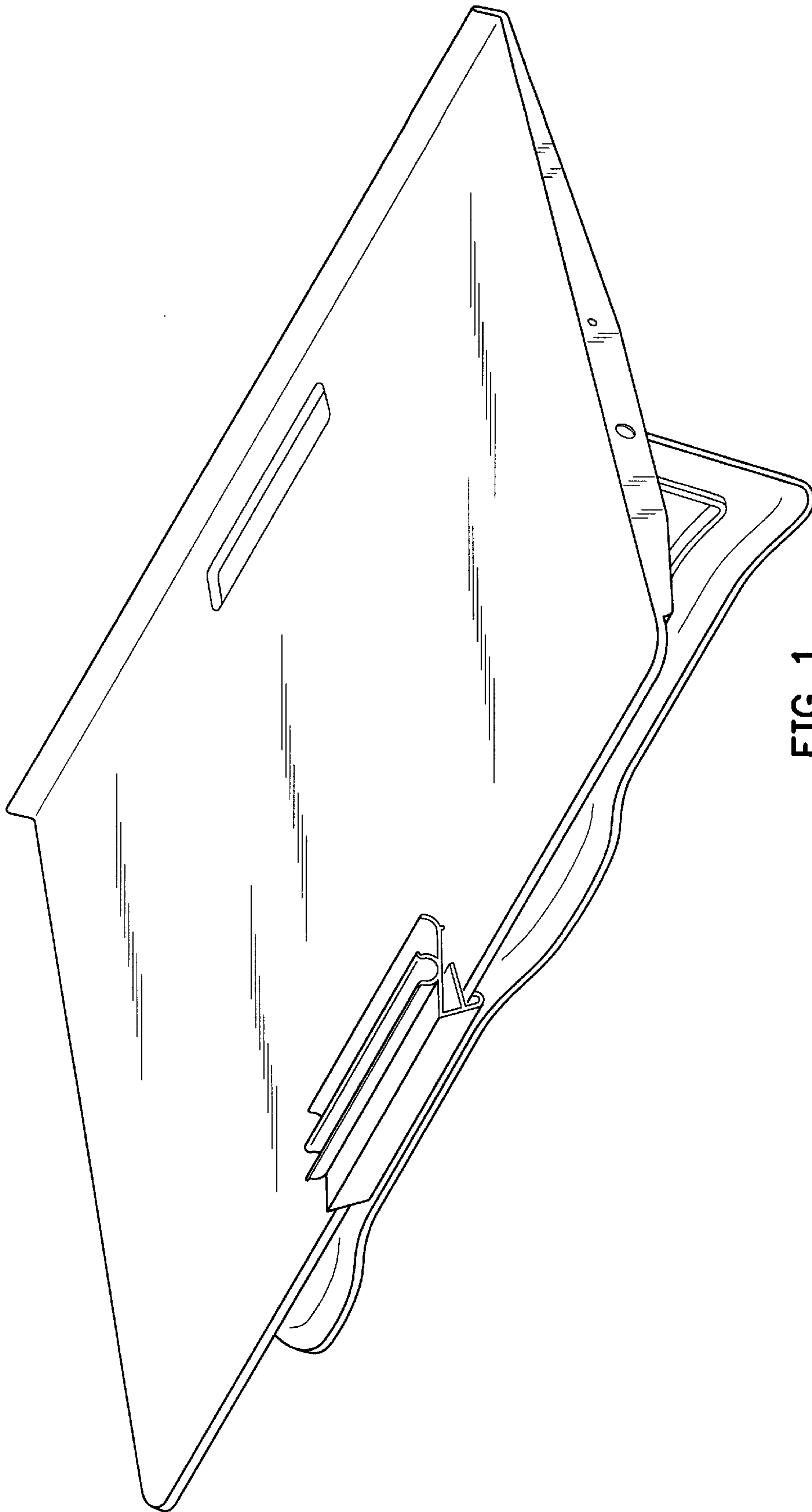


FIG. 1

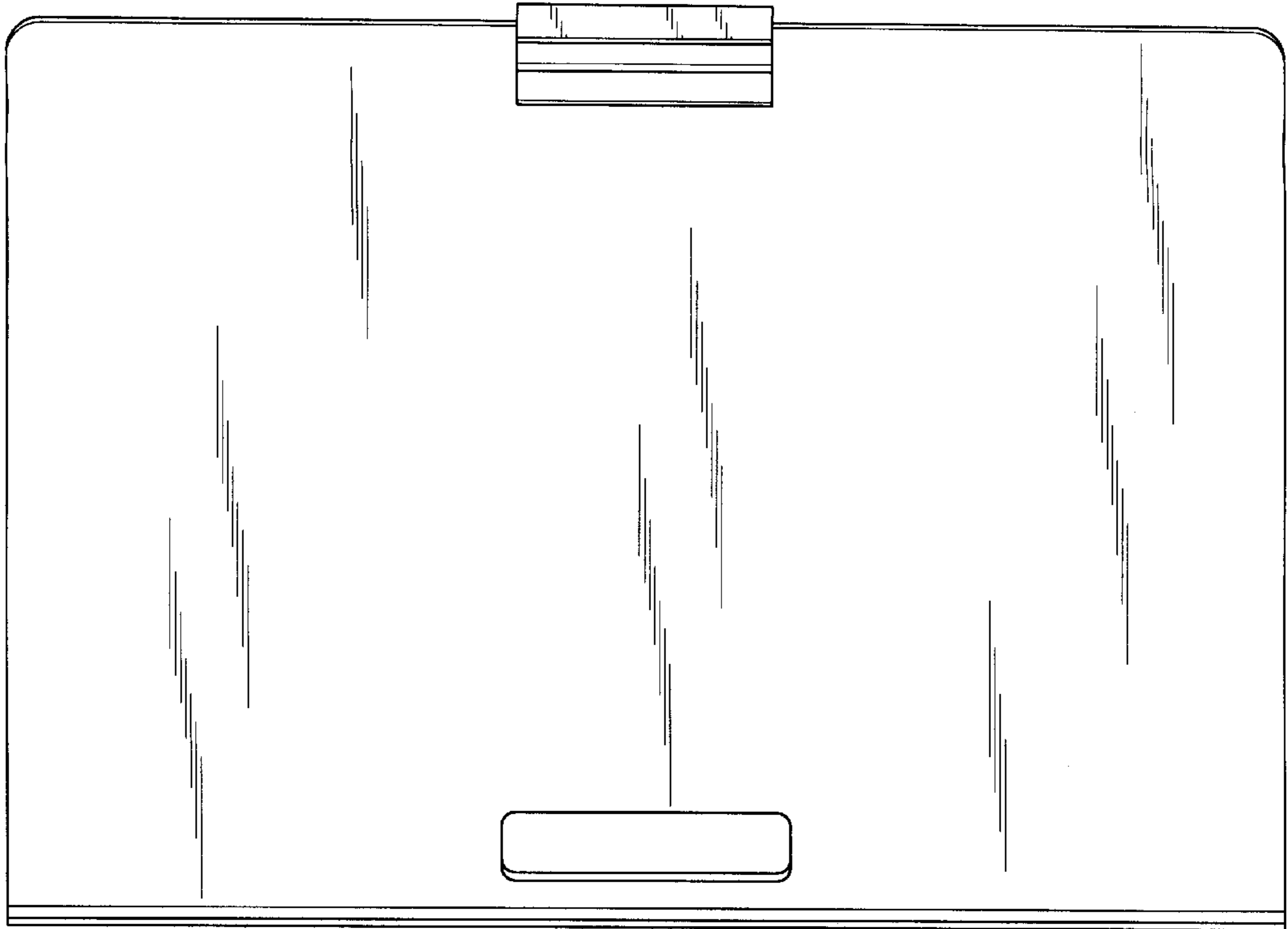


FIG. 2

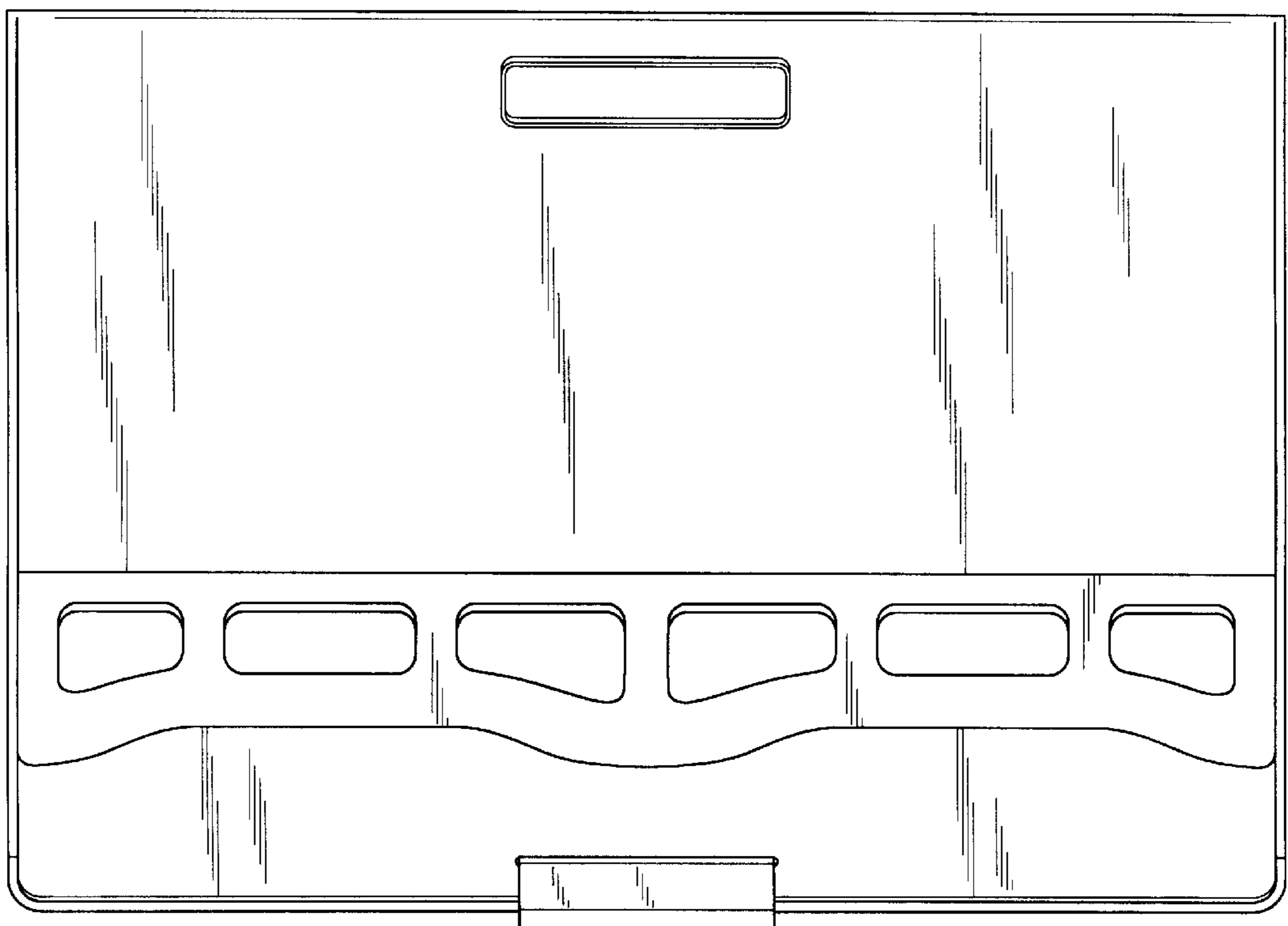


FIG. 3

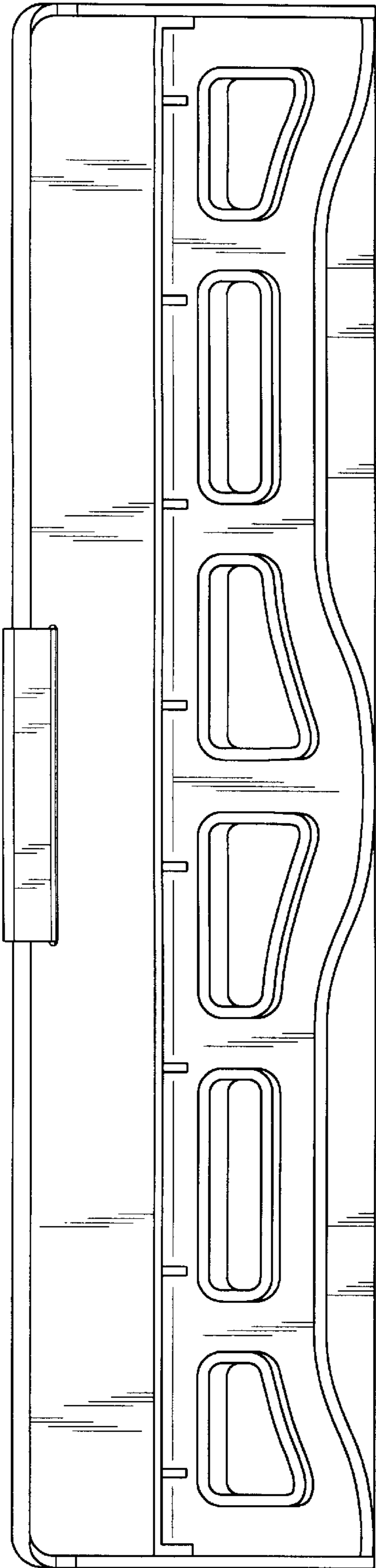


FIG. 4

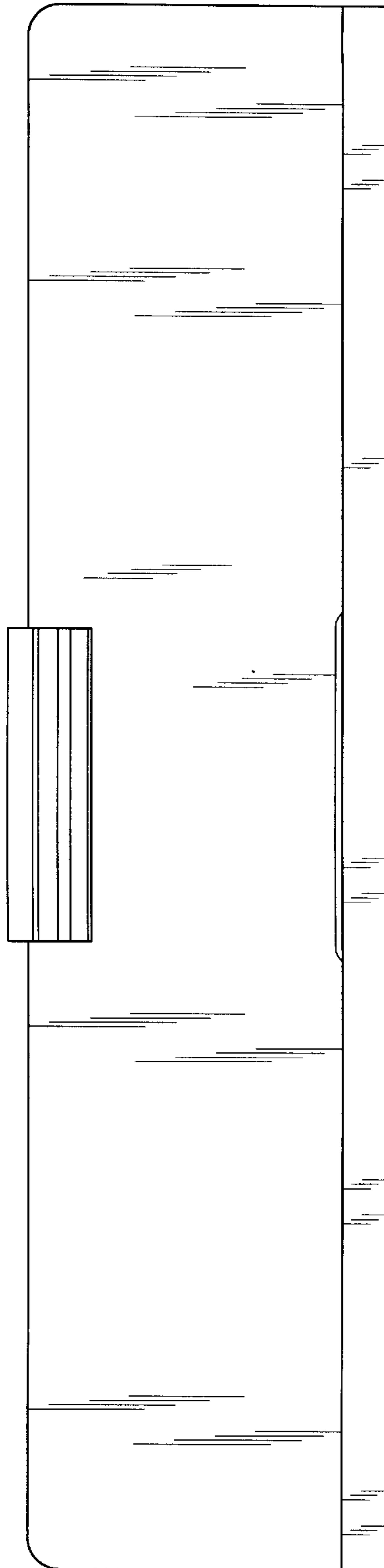


FIG. 5

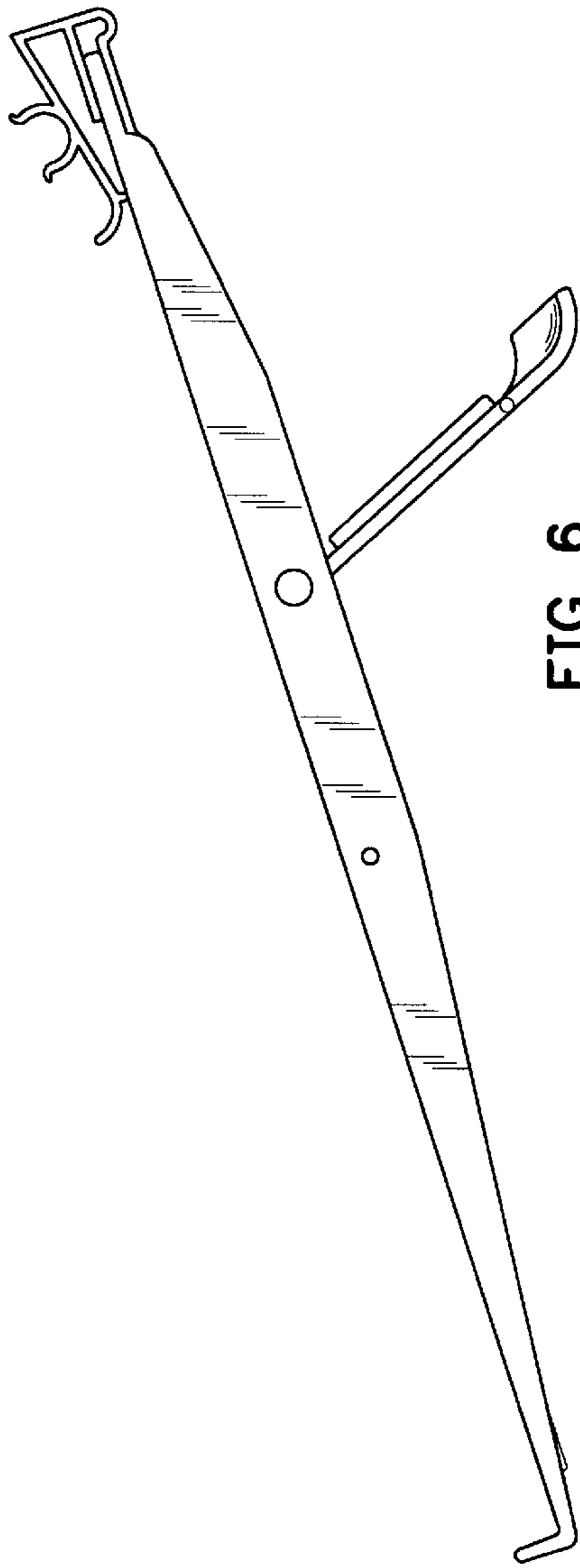


FIG. 6

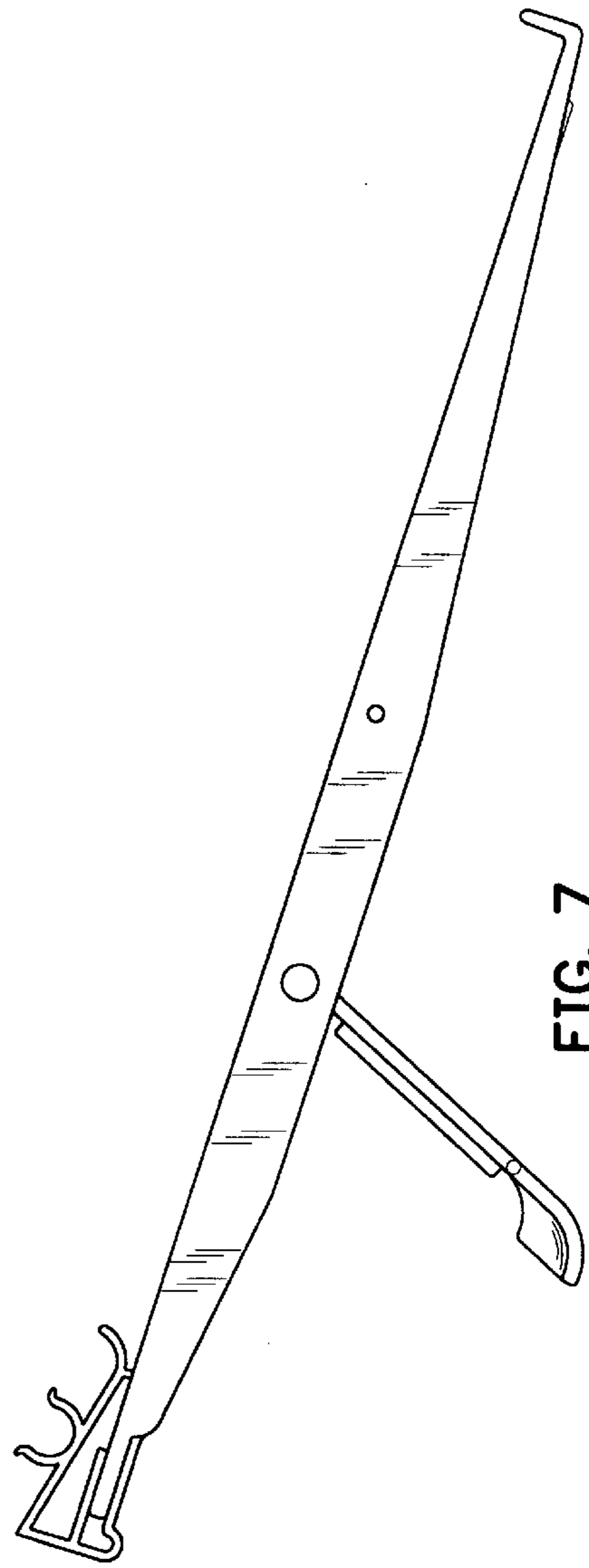


FIG. 7