



US00D443997S

(12) **United States Design Patent**  
**Stout**

(10) **Patent No.:** **US D443,997 S**

(45) **Date of Patent:** **\*\* Jun. 26, 2001**

(54) **FOLDING BED AND CABINET**

3,858,253 \* 1/1975 Lauzon ..... 5/2.1

(76) Inventor: **Kenneth E. Stout**, 1819 Moore St.,  
Simi Valley, CA (US) 93065

\* cited by examiner

(\*\*) Term: **14 Years**

*Primary Examiner*—Janice E. Seeger

(74) *Attorney, Agent, or Firm*—James E. Brunton

(21) Appl. No.: **29/128,547**

(57) **CLAIM**

(22) Filed: **Aug. 25, 2000**

The ornamental design for a “folding bed and cabinet”, as shown.

(51) **LOC (7) Cl.** ..... **06-01**

**DESCRIPTION**

(52) **U.S. Cl.** ..... **D6/384**

(58) **Field of Search** ..... D6/382–389, 392–395,  
D6/505–508, 397; 5/53.1, 279.1, 280, 281,  
907, 2.1, 310, 308, 133, 145, 146

FIG. 1 is a generally perspective view of a “folding bed and cabinet” showing my new design;

FIG. 2 is a front view thereof;

FIG. 3 is a rear view thereof;

FIG. 4 is a side elevational view thereof;

FIG. 5 is a top plan view thereof; and,

FIG. 6 is a bottom view thereof.

(56) **References Cited**

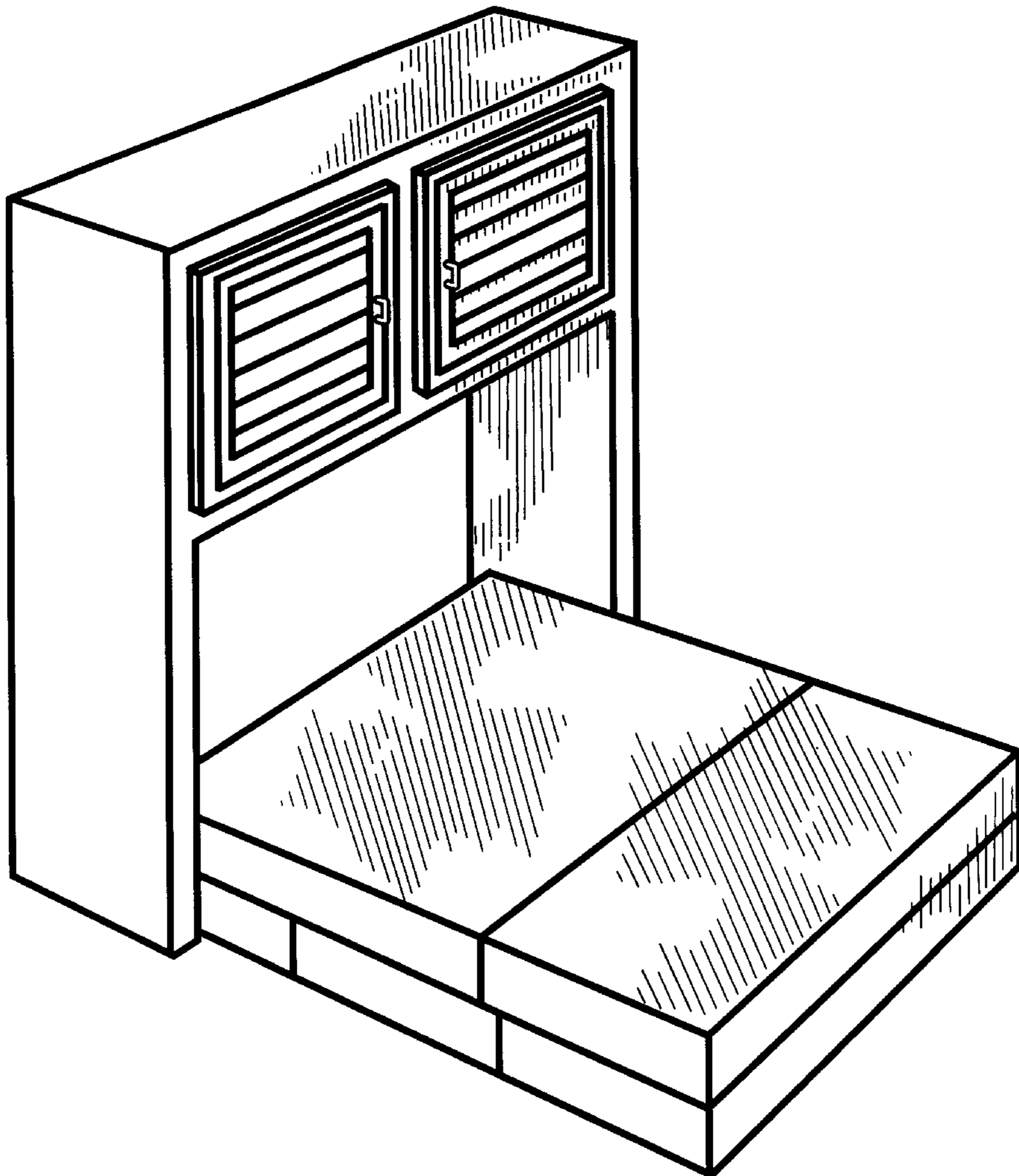
**U.S. PATENT DOCUMENTS**

D. 309,642 \* 7/1990 MacVeigh ..... D21/520

D. 343,532 \* 1/1994 Korch et al. .... D6/397

D. 355,548 \* 2/1995 Schroeder ..... D6/505

**1 Claim, 4 Drawing Sheets**



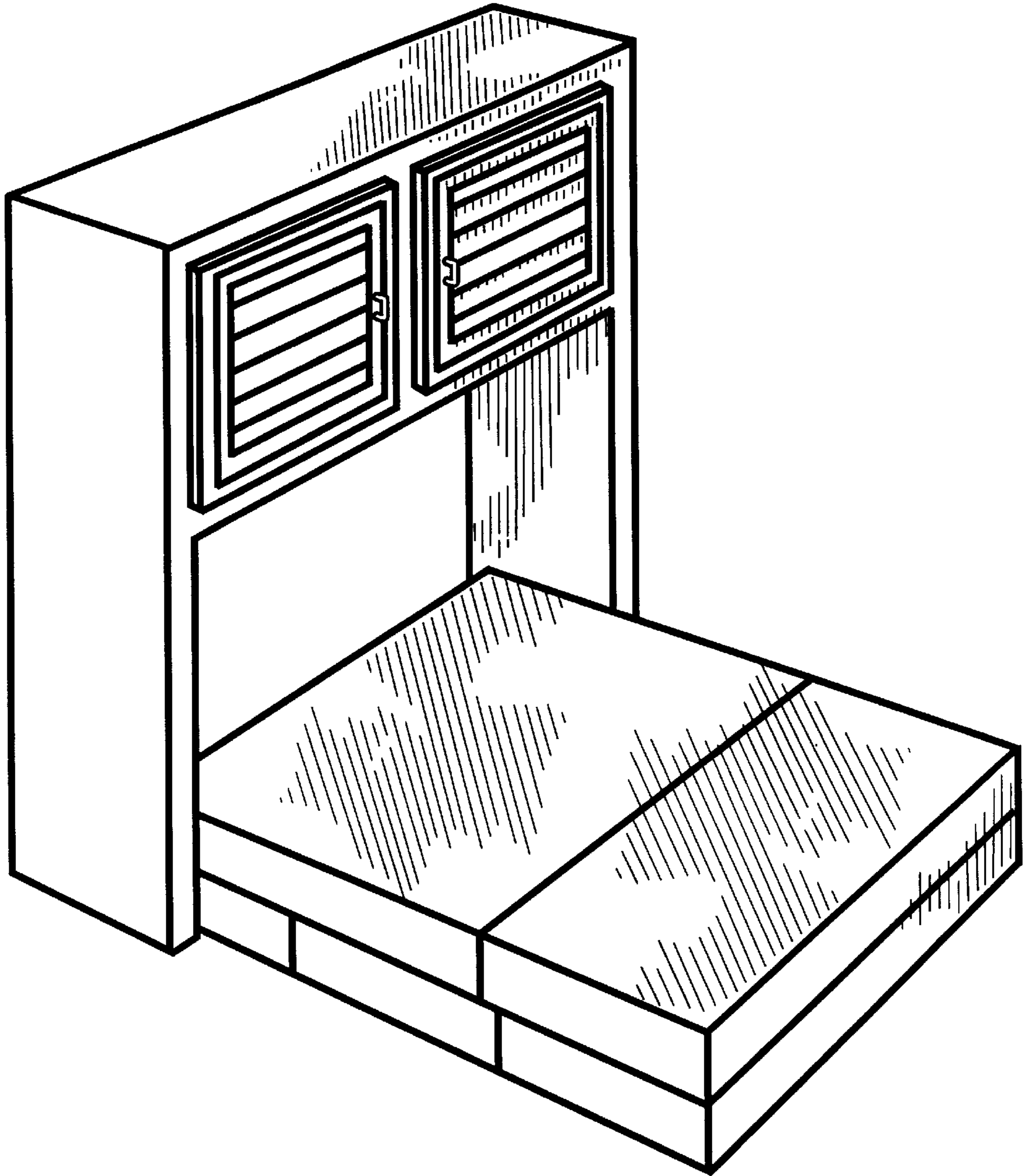


Fig. 1

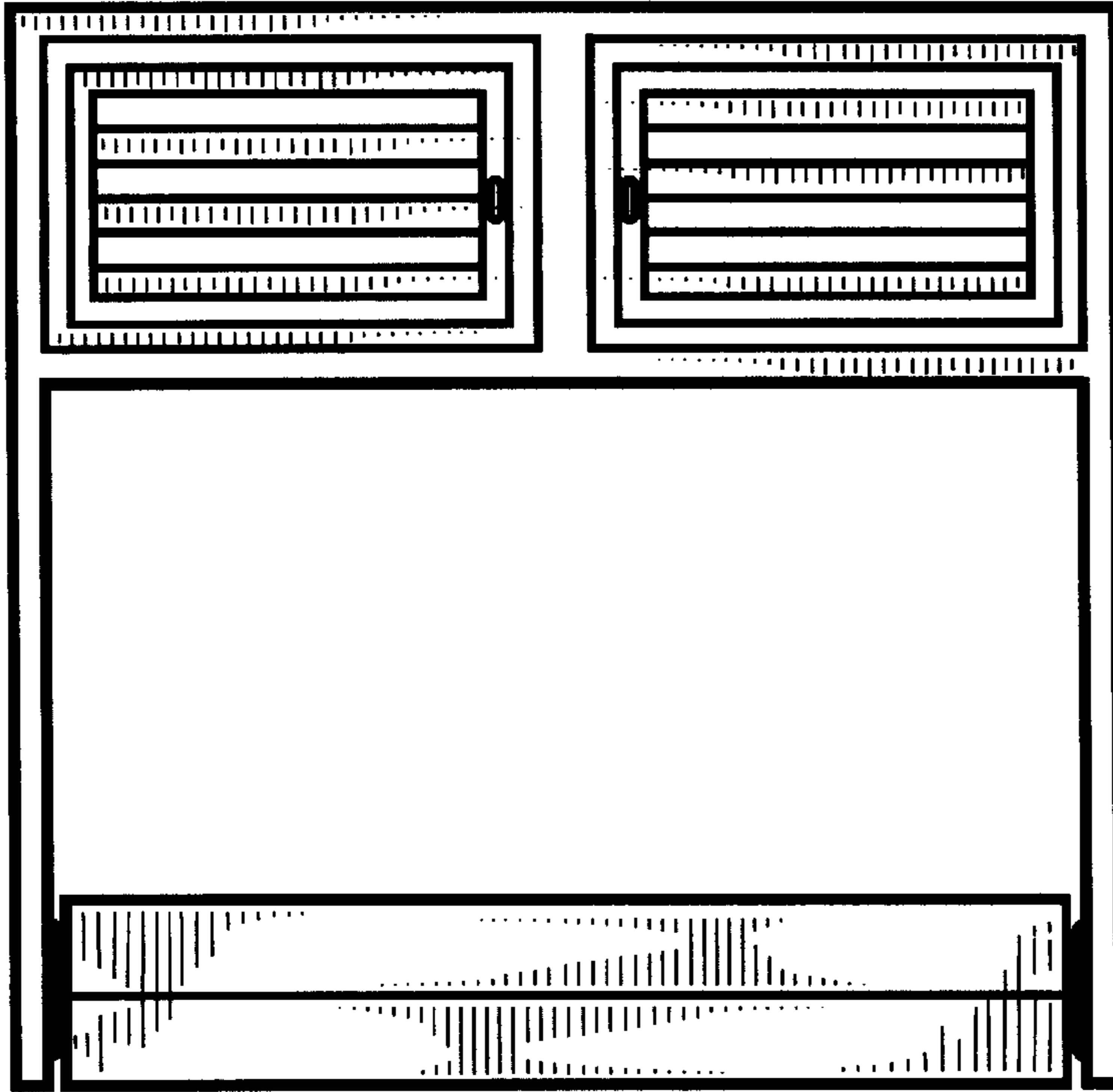


Fig. 2

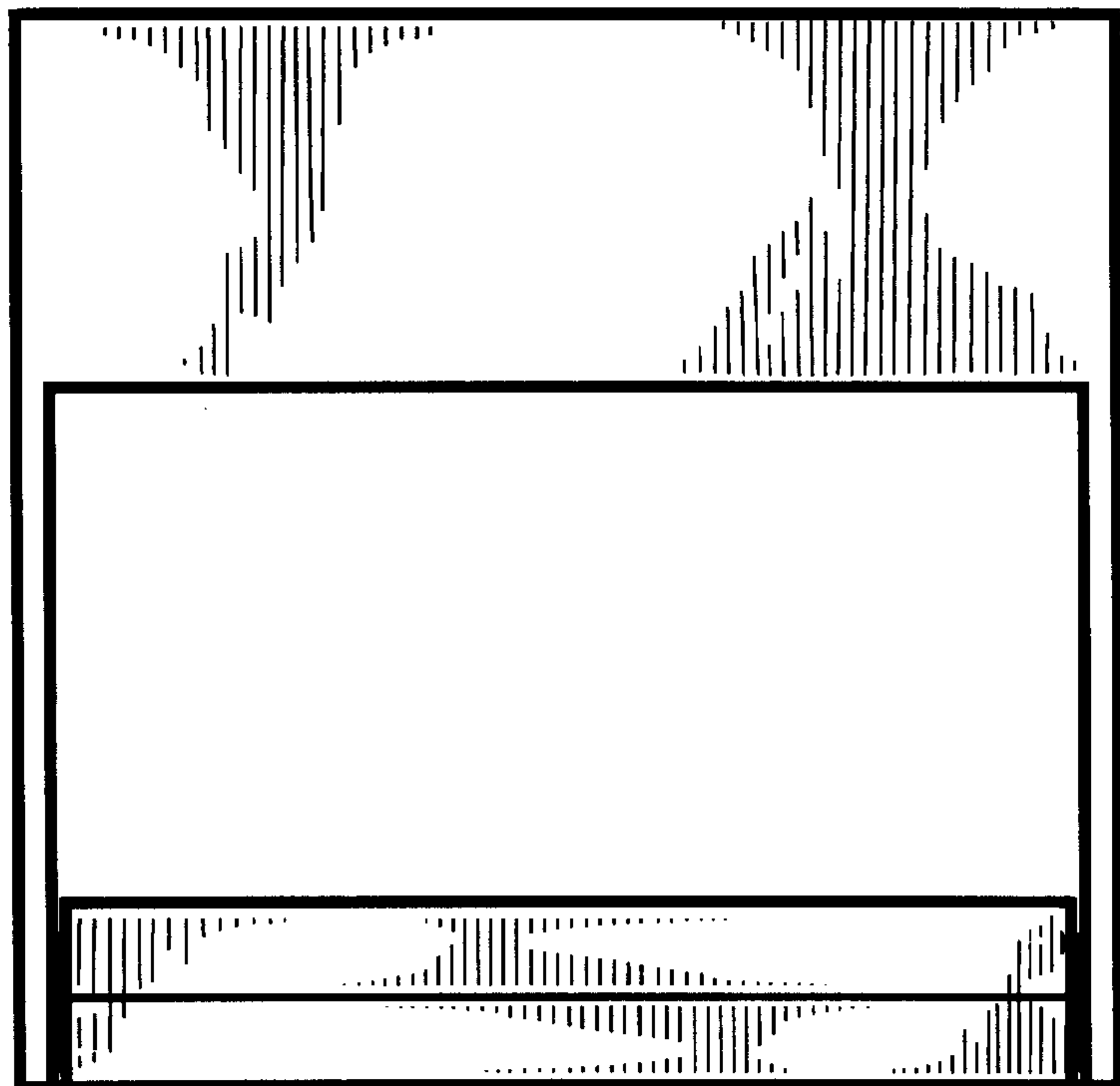
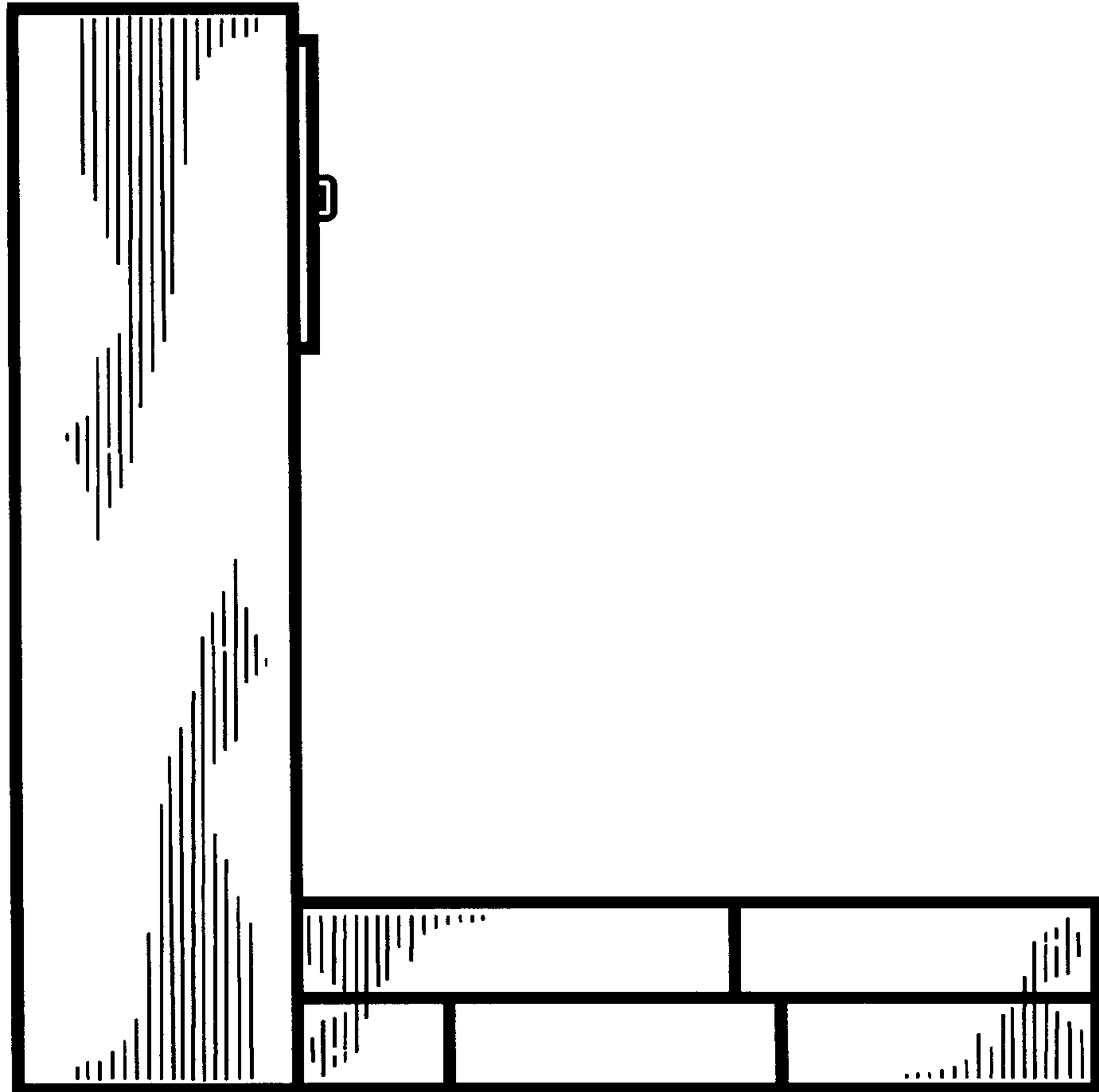
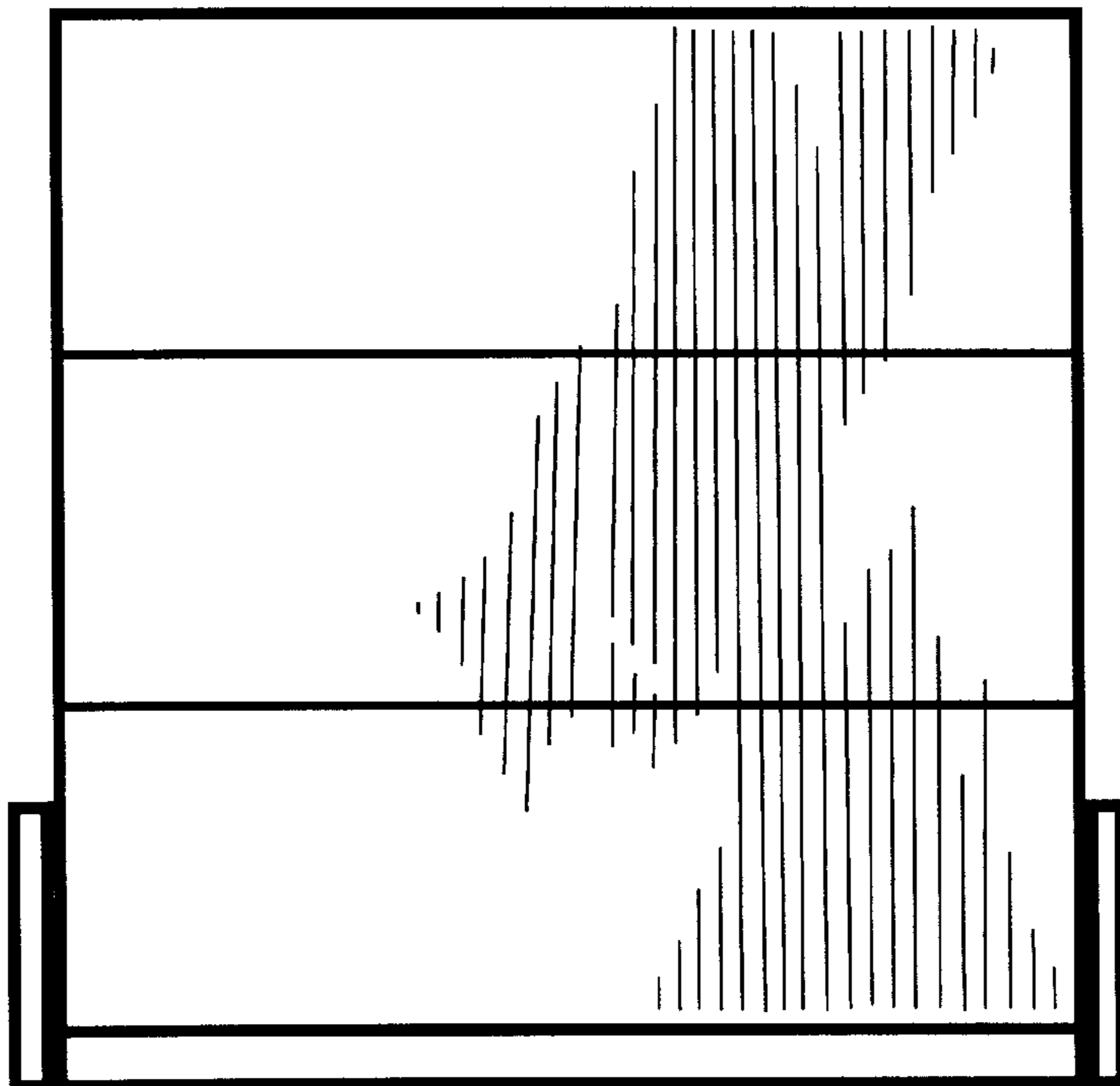
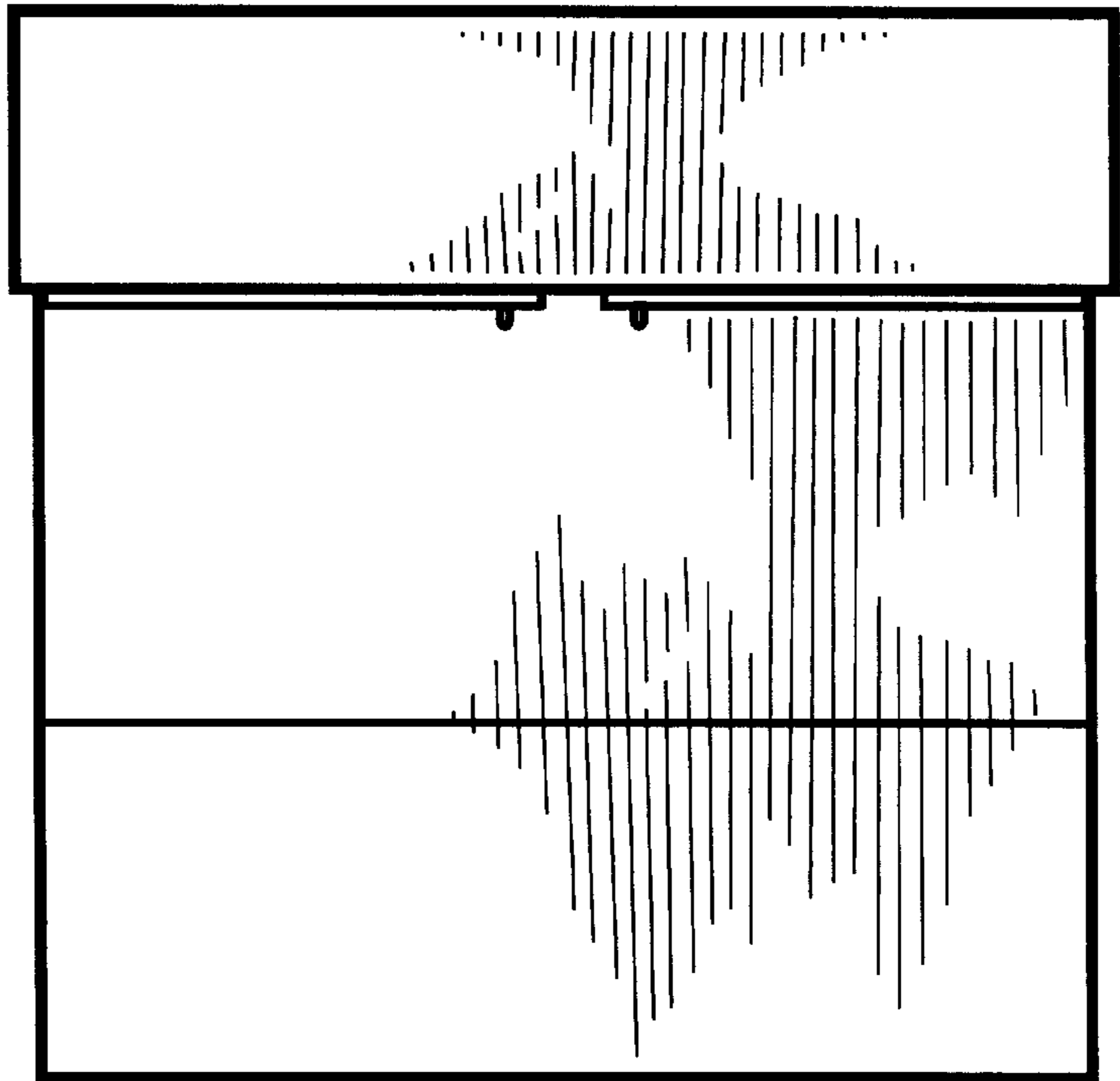


Fig. 3



**Fig. 4**

**Fig. 5**



**Fig. 6**