



US00D443995S

(12) **United States Design Patent**  
**Caruso et al.**

(10) **Patent No.:** **US D443,995 S**

(45) **Date of Patent:** **\*\* Jun. 26, 2001**

(54) **GANGING CHAIR**

(75) Inventors: **Jerome C. Caruso**, Lake Forest, IL  
(US); **Peter Barile, Sr.**, Morristown,  
TN (US)

(73) Assignee: **Shelby Williams Industries, Inc.**

(\*\*) Term: **14 Years**

(21) Appl. No.: **29/117,911**

(22) Filed: **Feb. 1, 2000**

(51) **LOC (7) Cl.** ..... **06-01**

(52) **U.S. Cl.** ..... **D6/374; D6/380**

(58) **Field of Search** ..... D6/334, 335, 374,  
D6/375, 379, 380, 500, 501, 502; 297/239,  
445.1, 446.1

(56) **References Cited**

**U.S. PATENT DOCUMENTS**

D. 197,403	*	1/1964	Dodds	.....	D6/380
D. 202,264	*	9/1965	Albinson	.....	D6/374
D. 214,315	*	6/1969	Bartholomew	.....	D6/374
D. 236,670	*	9/1975	Oyeda	.....	D6/375
D. 272,587	*	2/1984	Pamberg	.....	D6/380
D. 279,438		7/1985	Gerner	.	
D. 295,588	*	5/1988	Heitlinger	.....	D6/380
D. 308,604	*	6/1990	Verkerke	.....	D6/334
D. 327,587	*	7/1992	Piretti	.....	D6/380
D. 370,360	*	6/1996	Fewchuk	.....	D6/374
D. 381,828	*	8/1997	Kemnitzer	.....	D6/380 X

D. 388,629	*	1/1998	Piretti	.....	D6/380
D. 411,772	*	7/1999	Piretti	.....	D6/374
D. 413,207	*	8/1999	Caruso	.....	D6/374
4,002,369	*	1/1977	Jennings	.....	D6/374 X
4,603,904		8/1986	Tolleson et al.	.	
5,282,669		2/1994	Barile	.	

**OTHER PUBLICATIONS**

Shelby Williams Industries, Inc.—*Banquet, Conference Center, & Function Room Furnishings*, 1990—Catalog pp. Cover +3,4 and 45.

Shelby Williams Industries, Inc.—*The Chair Express*, 1990—Catalog pp. Cover +73.

\* cited by examiner

*Primary Examiner*—Gary D. Watson

(74) *Attorney, Agent, or Firm*—Pitts & Brittan

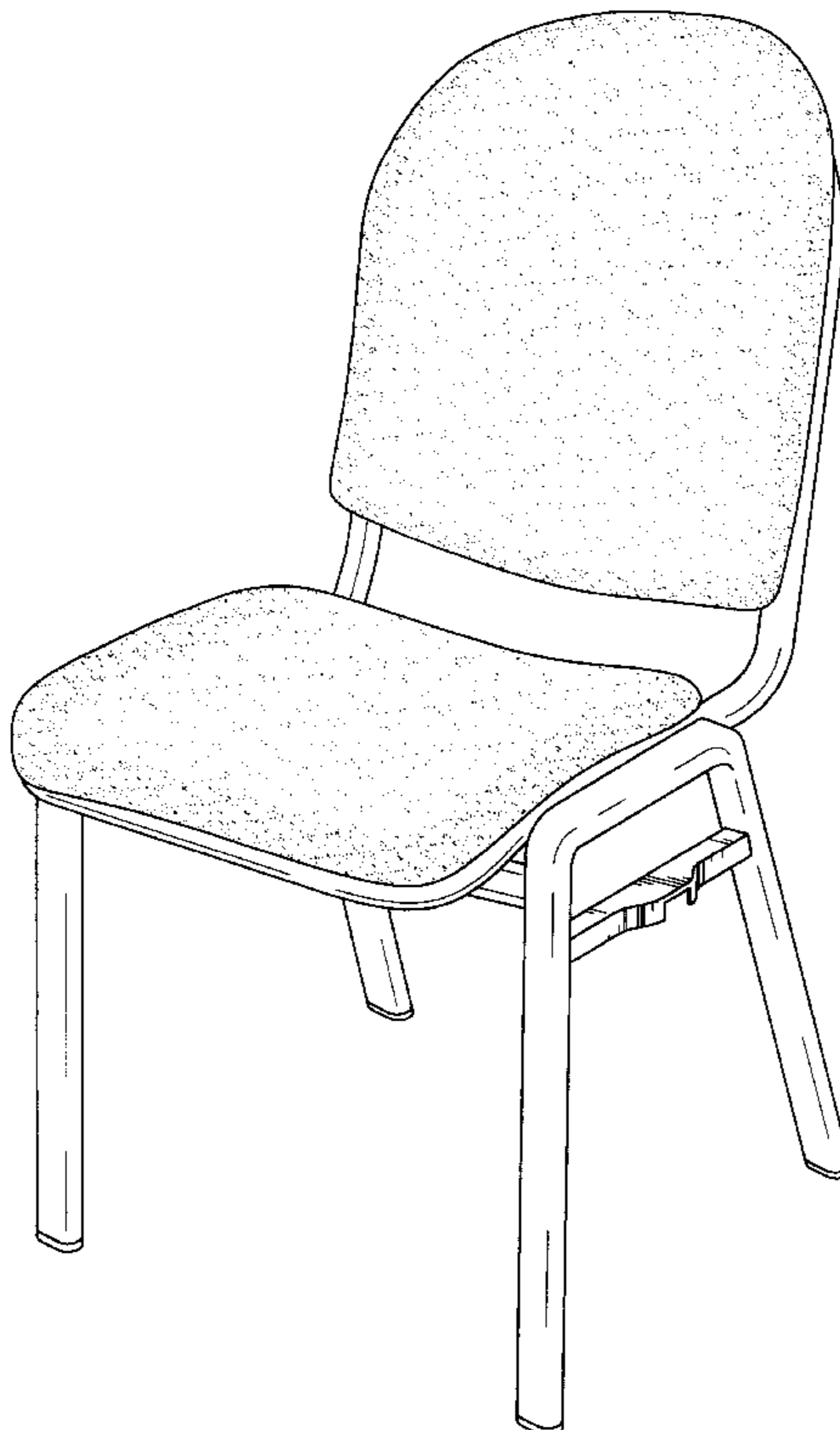
(57) **CLAIM**

The ornamental design for a ganging chair, as shown and described.

**DESCRIPTION**

FIG. 1 is a perspective view of a ganging chair;  
FIG. 2 is a front view thereof;  
FIG. 3 is a back view thereof;  
FIG. 4 is a left side view thereof;  
FIG. 5 is a right view thereof;  
FIG. 6 is a top view thereof; and,  
FIG. 7 is a bottom view thereof.

**1 Claim, 7 Drawing Sheets**



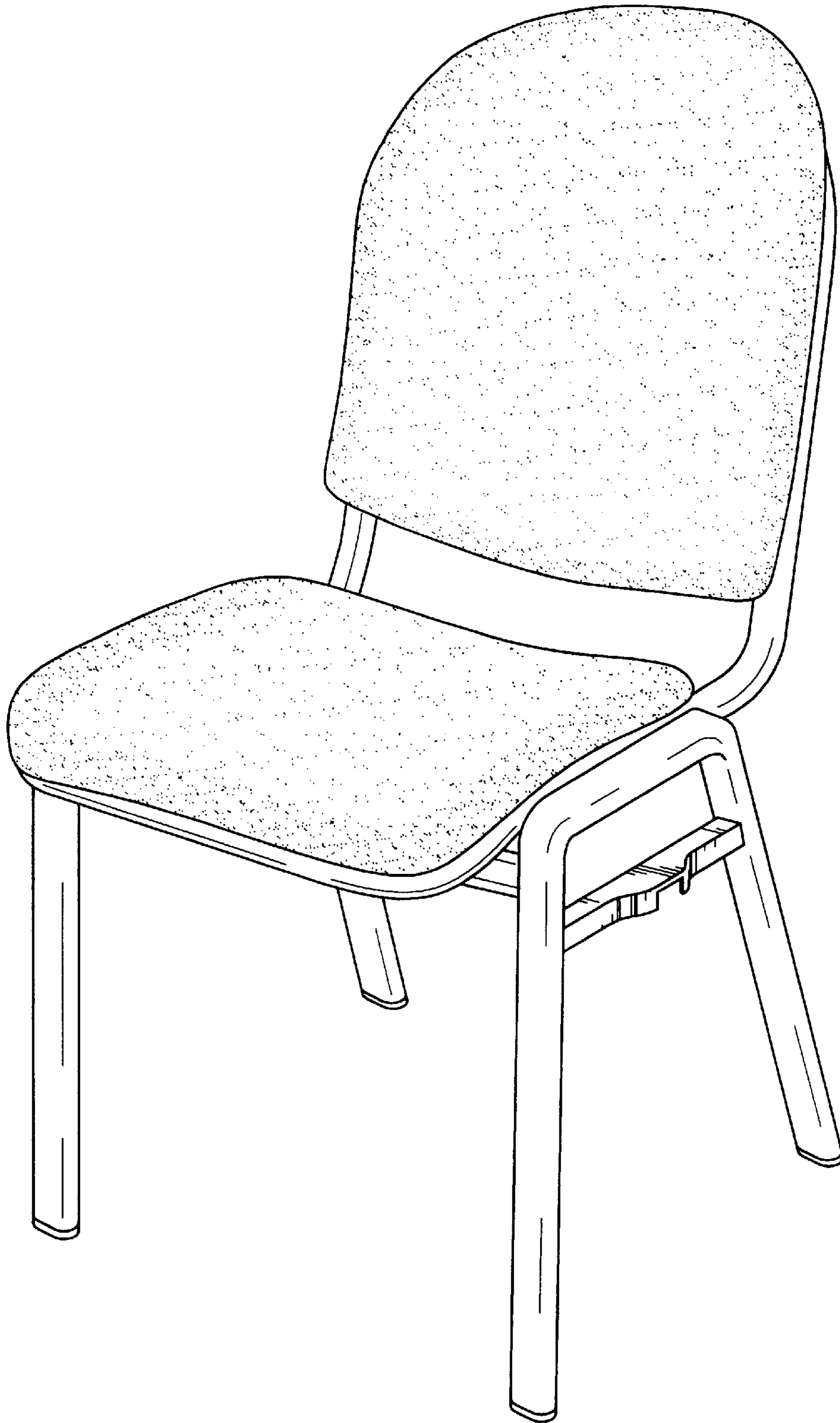


Fig. 1

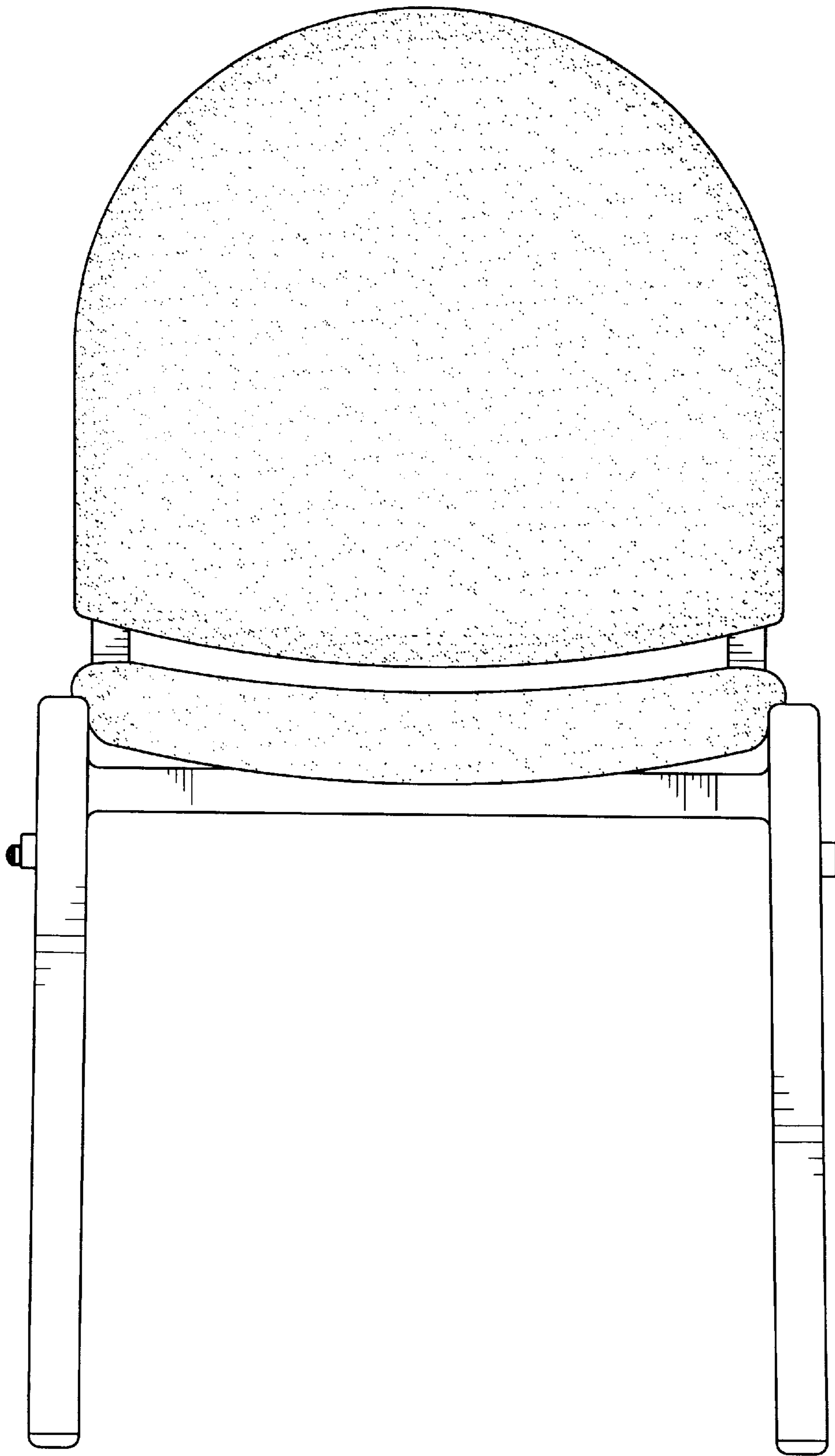


Fig. 2

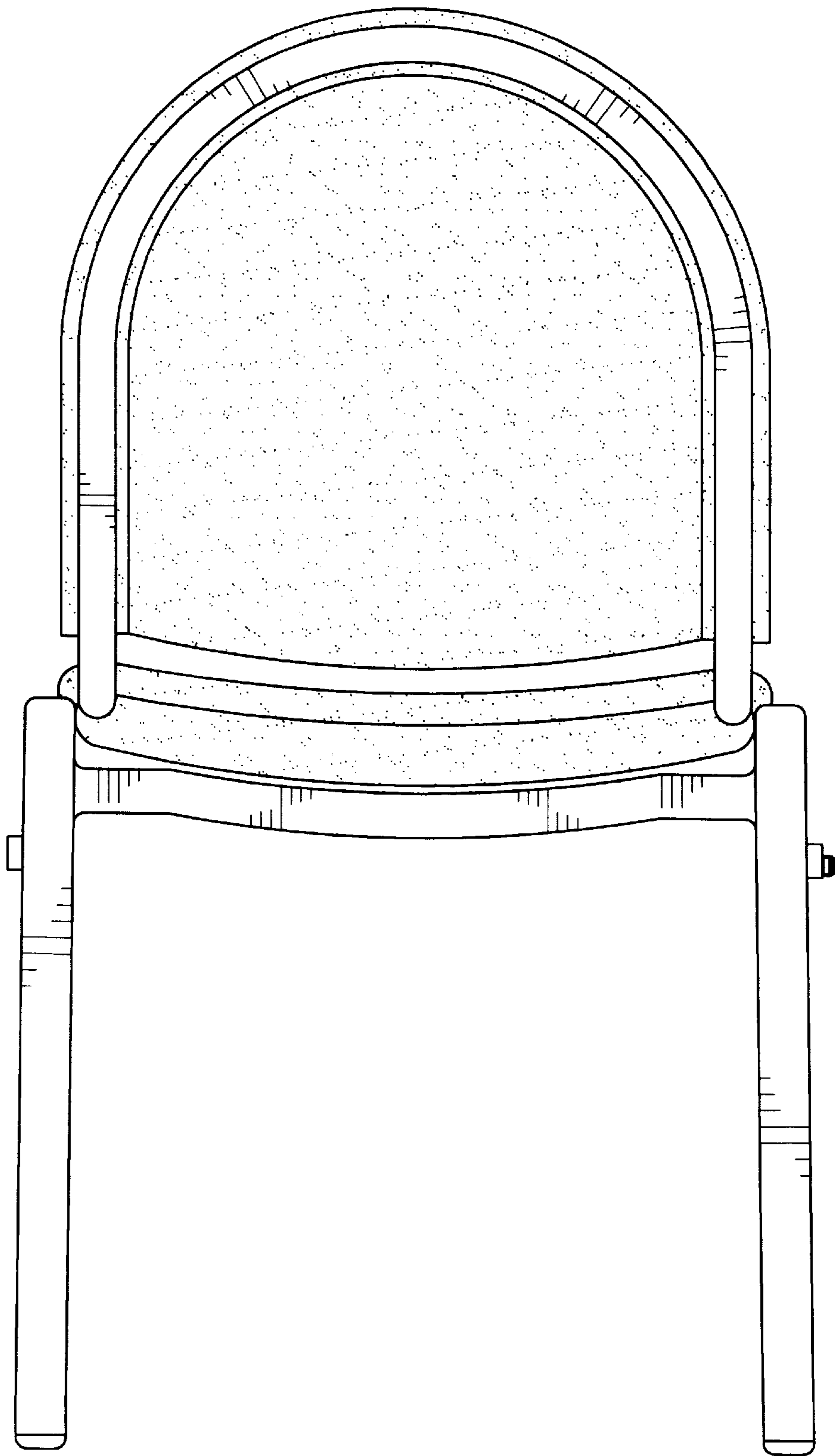


Fig. 3

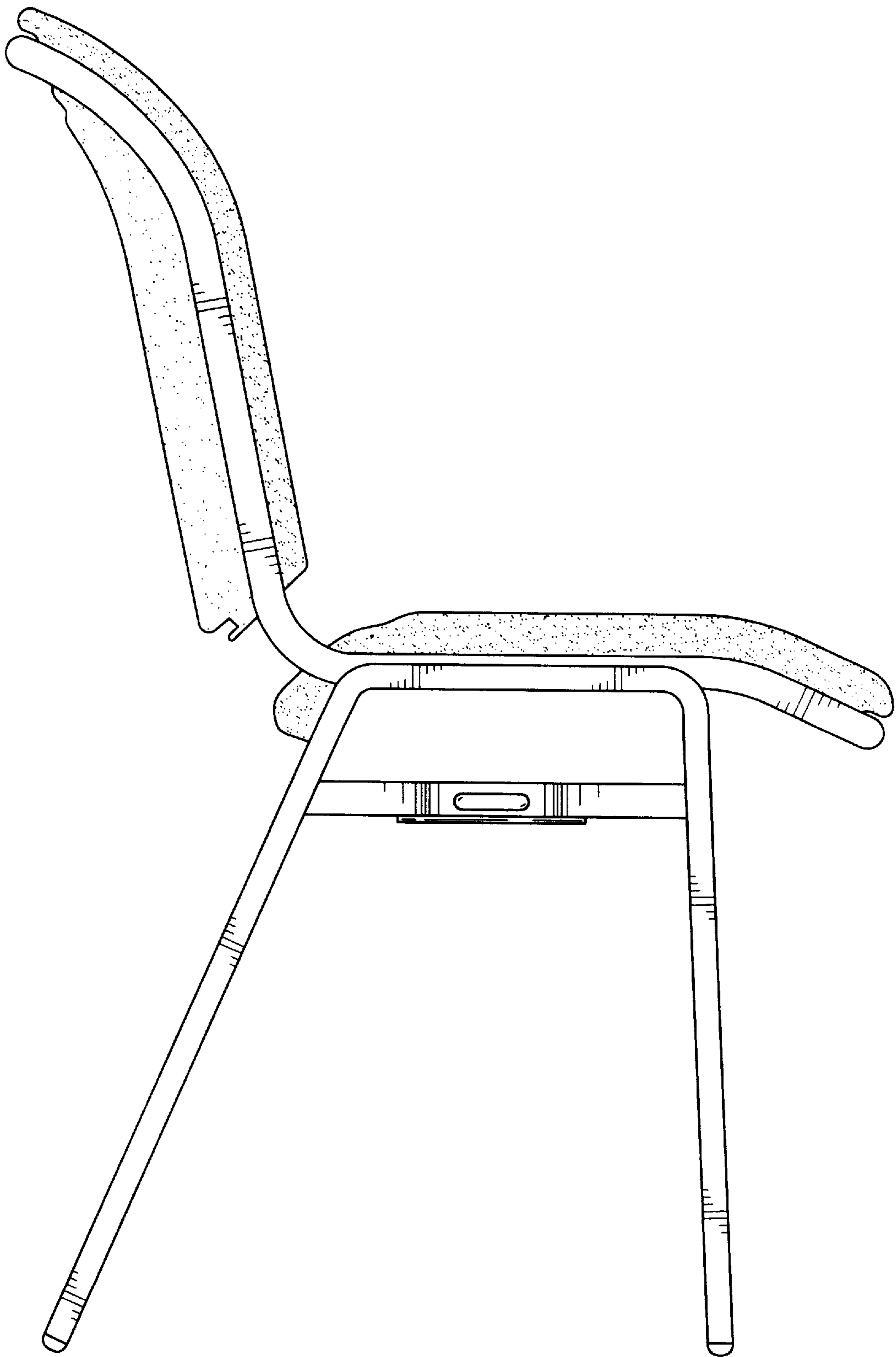


Fig. 4

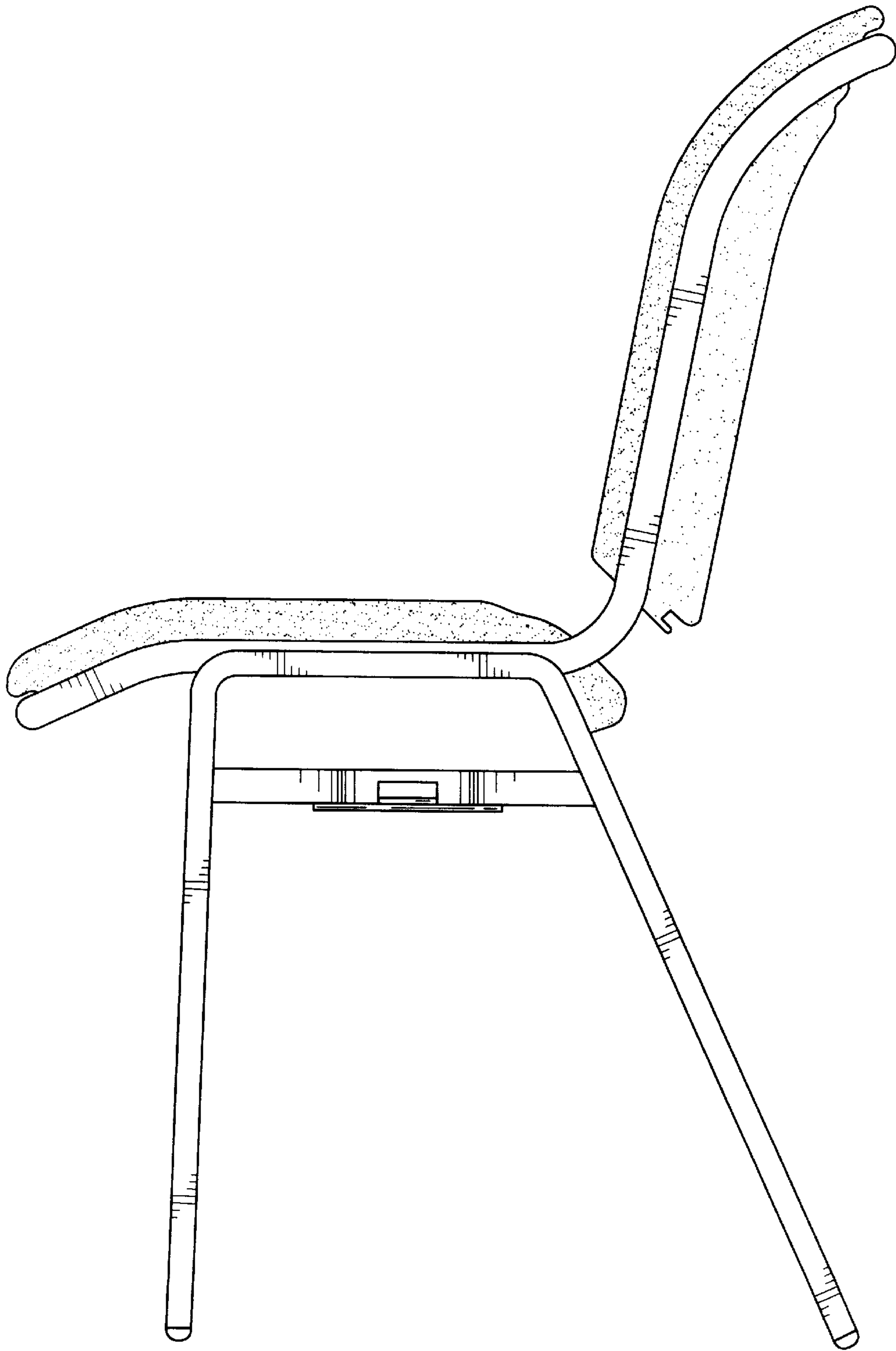


Fig. 5

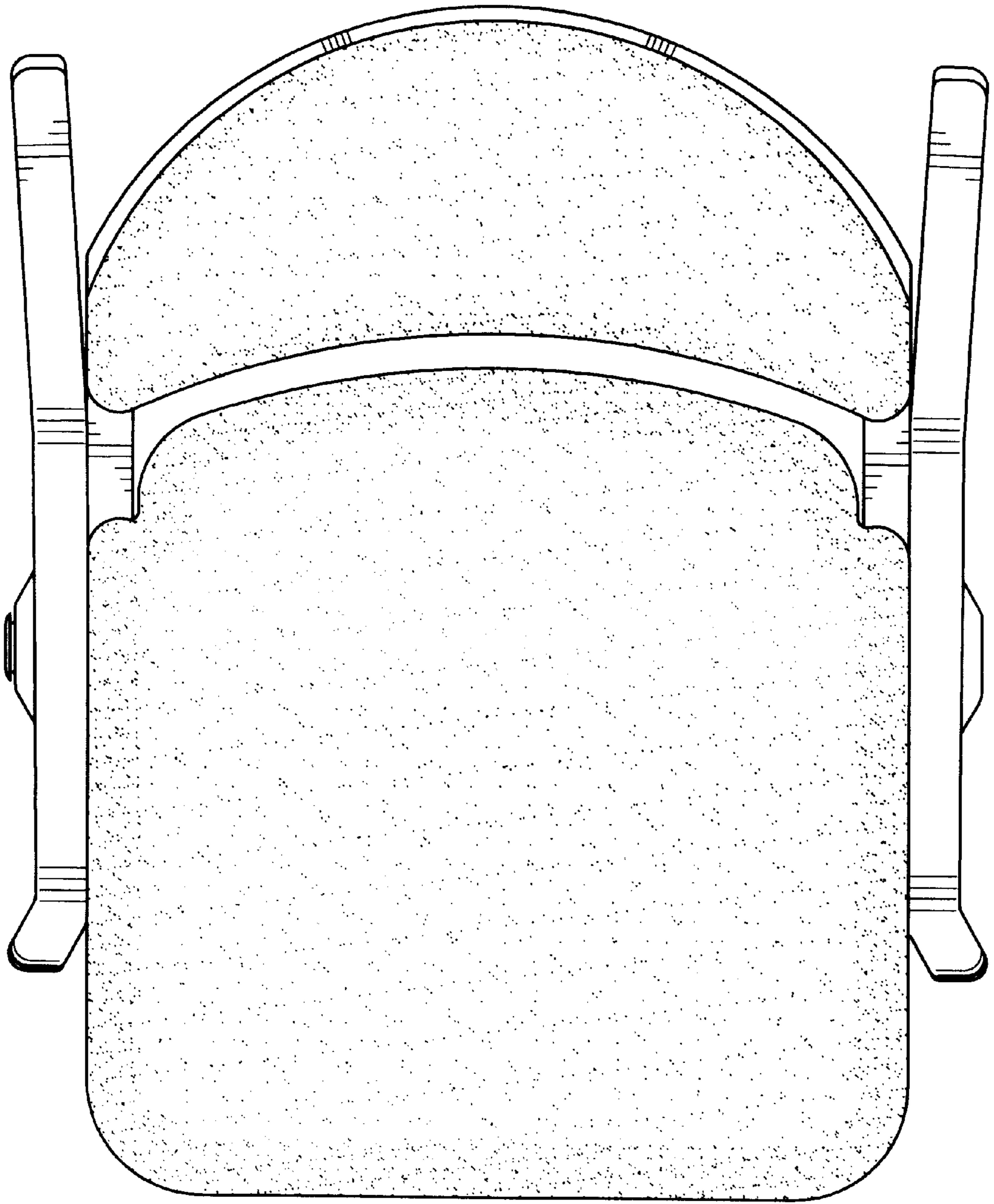


Fig. 6

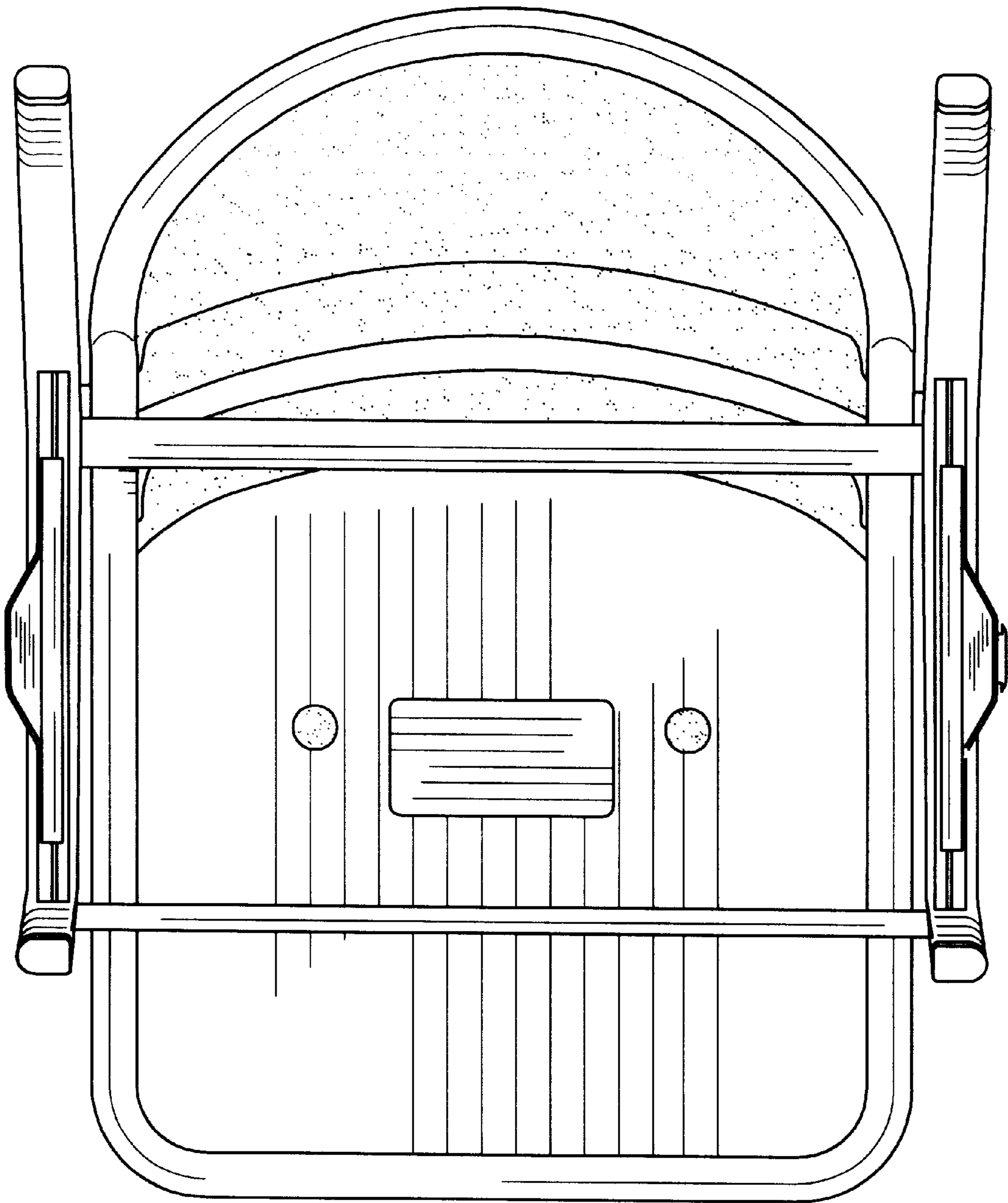


Fig. 7