



US00D443990S

(12) **United States Design Patent**
Beroth

(10) **Patent No.:** **US D443,990 S**

(45) **Date of Patent:** **** Jun. 26, 2001**

(54) **AIRCRAFT SEAT ASSEMBLY**

(75) **Inventor:** **Michael T. Beroth**, Winston-Salem, NC (US)

(73) **Assignee:** **B E Aerospace, Inc.**, Wellington, FL (US)

(**) **Term:** **14 Years**

(21) **Appl. No.:** **29/113,763**

(22) **Filed:** **Nov. 10, 1999**

(51) **LOC (7) Cl.** **06-01**

(52) **U.S. Cl.** **D6/356**

(58) **Field of Search** D6/334, 335, 336, D6/356, 360, 361, 367, 381, 500-502; D12/195, 345; 297/232, 244, 342, 354.11, 423.41; 244/118.5, 118.6, 122 R

(56) **References Cited**

U.S. PATENT DOCUMENTS

D. 201,129	*	5/1965	Solomon	D6/360
D. 215,597	*	10/1969	Rich	D6/335
D. 262,165	*	12/1981	Andries et al.	D6/335
D. 273,157	*	3/1984	Staub	D6/356
D. 281,471	*	11/1985	Sauter	D6/381
D. 402,125	*	12/1998	Dryburg et al.	D6/356
D. 405,275	*	2/1999	Dryburg et al.	D6/356
D. 409,010	*	5/1999	Papaioannou et al.	D6/356
D. 411,922	*	7/1999	Granados	D6/356

D. 412,948	*	3/2000	Dryburgh et al.	D12/195
D. 421,593	*	3/2000	Papaioannou et al.	D12/345
5,352,020		10/1994	Wade et al.	.	
5,507,555		4/1996	Kiguchi	.	
5,553,923		9/1996	Bilezikjian	.	
5,628,547		5/1997	Matsumiya	.	
5,722,726		3/1998	Matsumiya	.	
5,857,745		1/1999	Matsumiya	.	
5,954,401		9/1999	Koch et al.	.	

FOREIGN PATENT DOCUMENTS

0 701 920 A1 3/1996 (EP) .

* cited by examiner

Primary Examiner—Doris V. Coles

Assistant Examiner—Mimosa De

(74) *Attorney, Agent, or Firm*—Adams, Schwartz & Evans, P.A.

(57) **CLAIM**

The ornamental design for a aircraft seat assembly, as shown.

DESCRIPTION

FIG. 1 is a perspective view of the aircraft seat assembly; FIG. 2 is a left side elevational view thereof; FIG. 3 is a right side elevational view thereof; FIG. 4 is a front view thereof; FIG. 5 is a rear view thereof; and, FIG. 6 top plan view thereof.

1 Claim, 6 Drawing Sheets

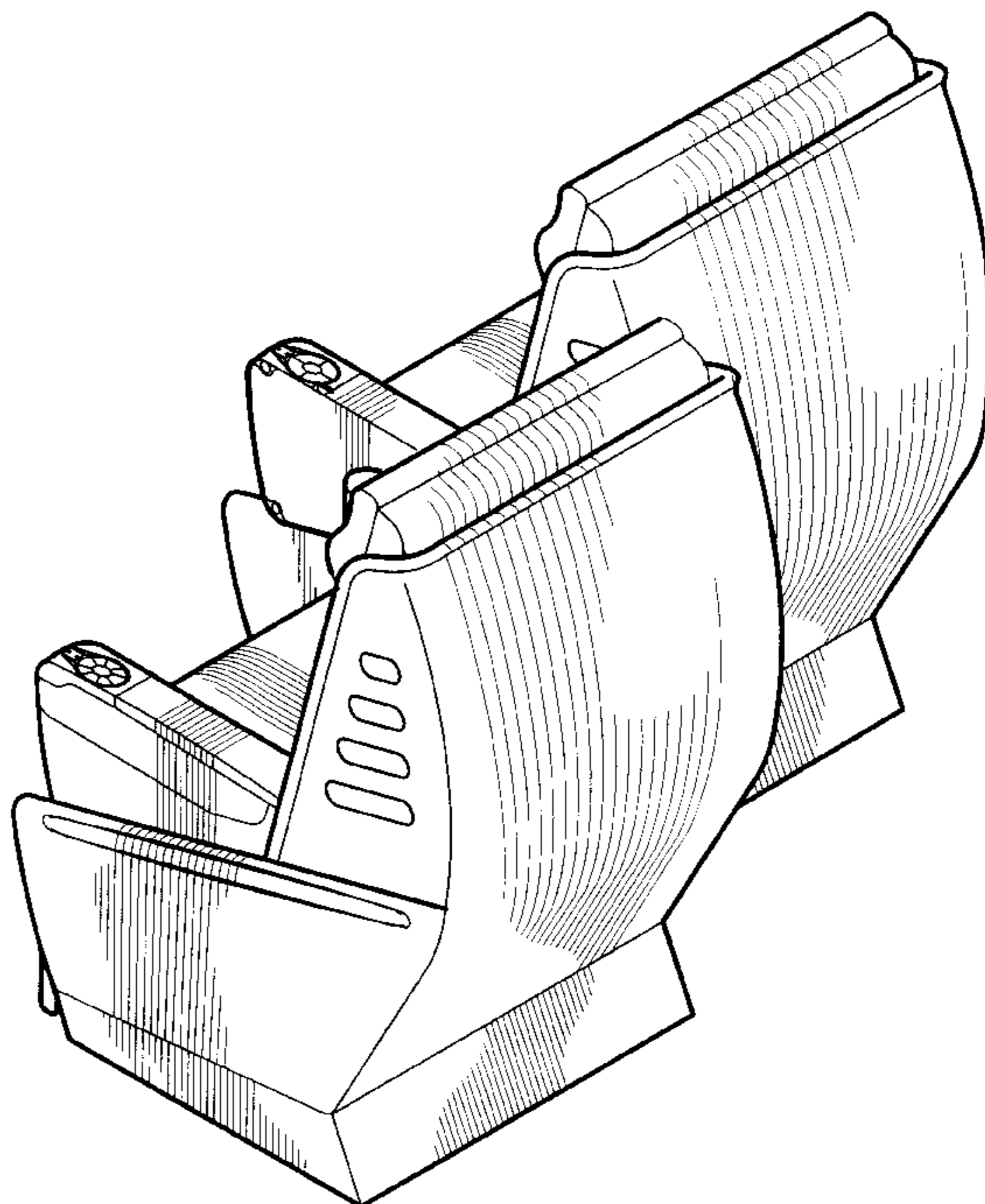
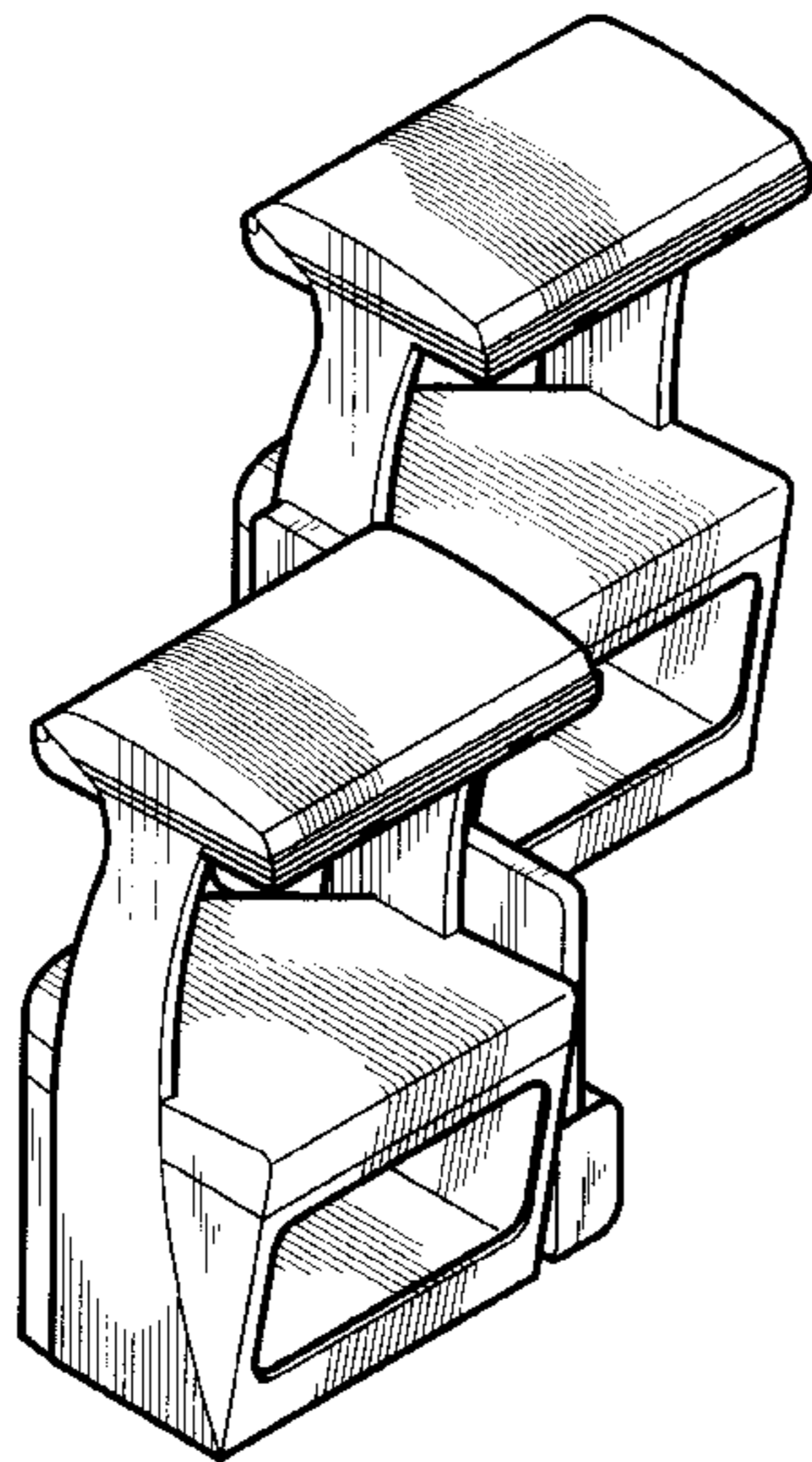


Fig. 1

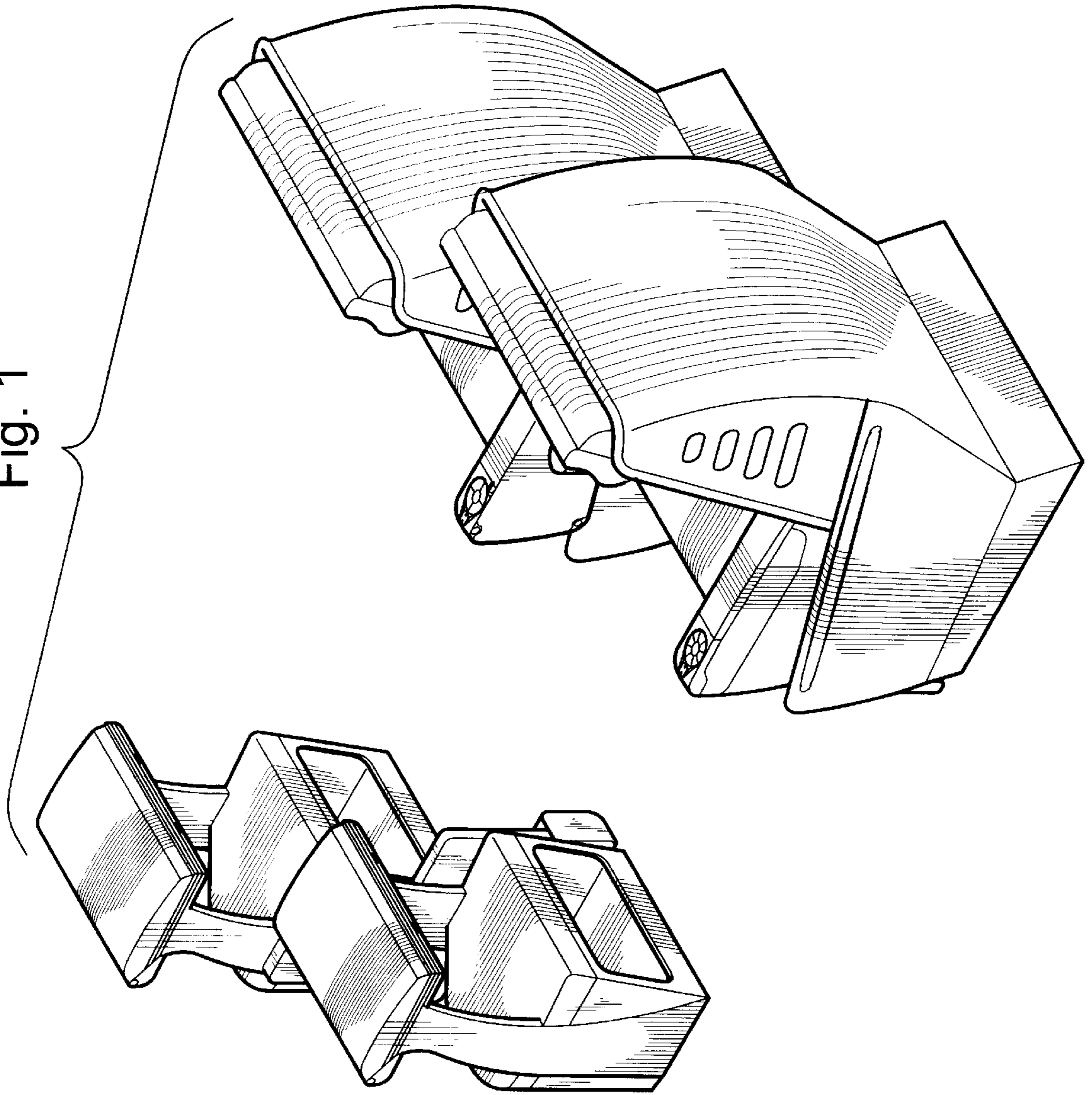


Fig. 2

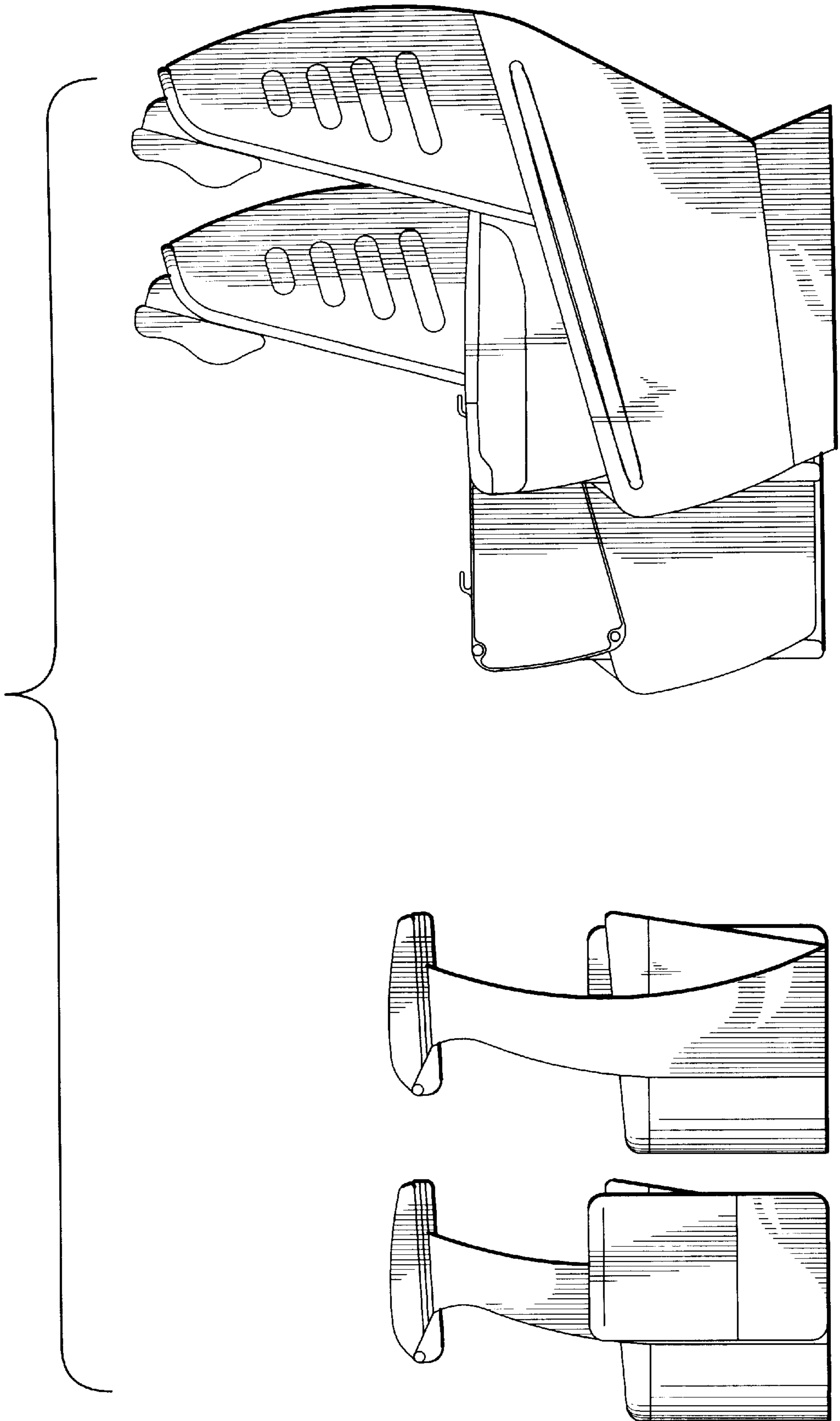


Fig. 3

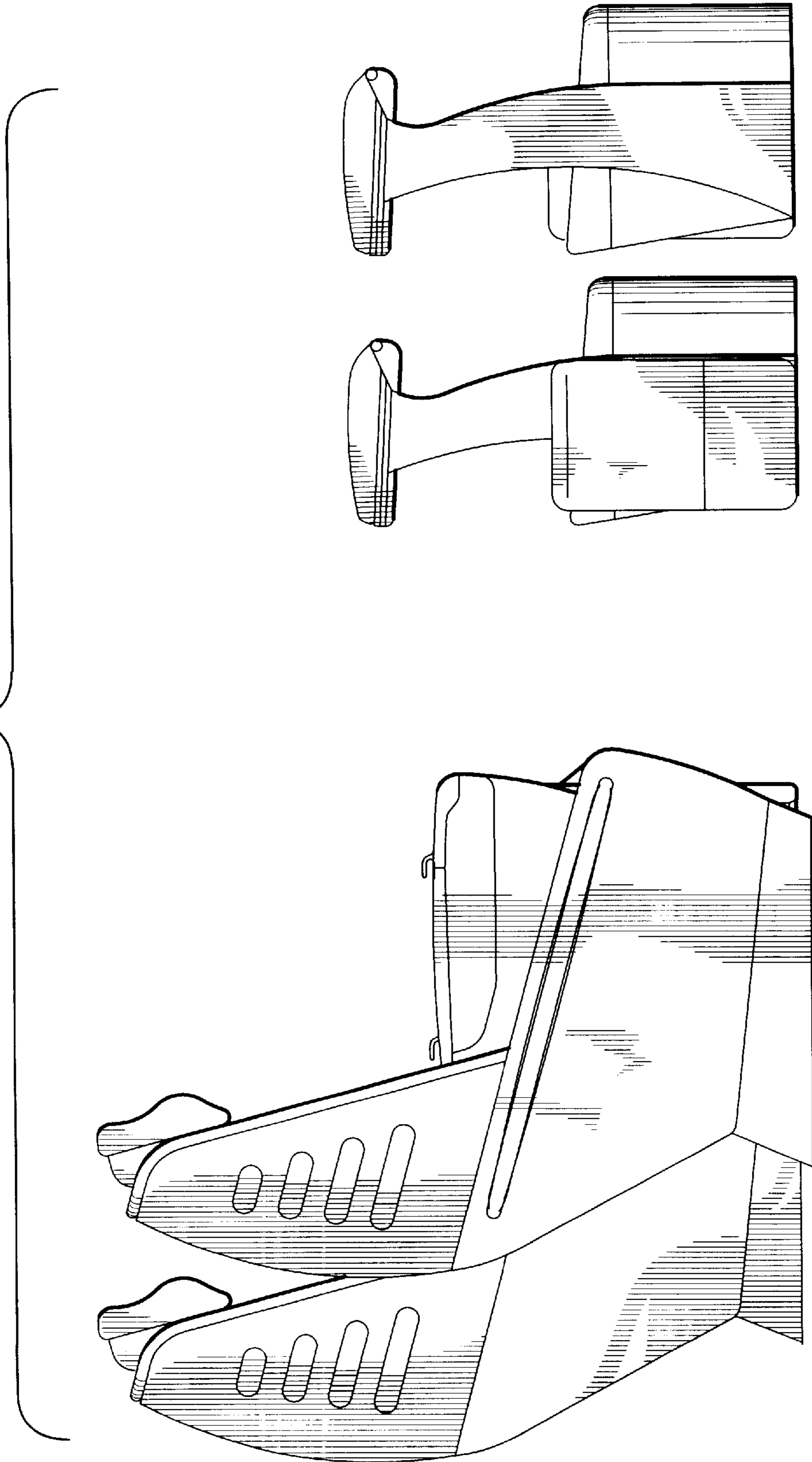




Fig. 4

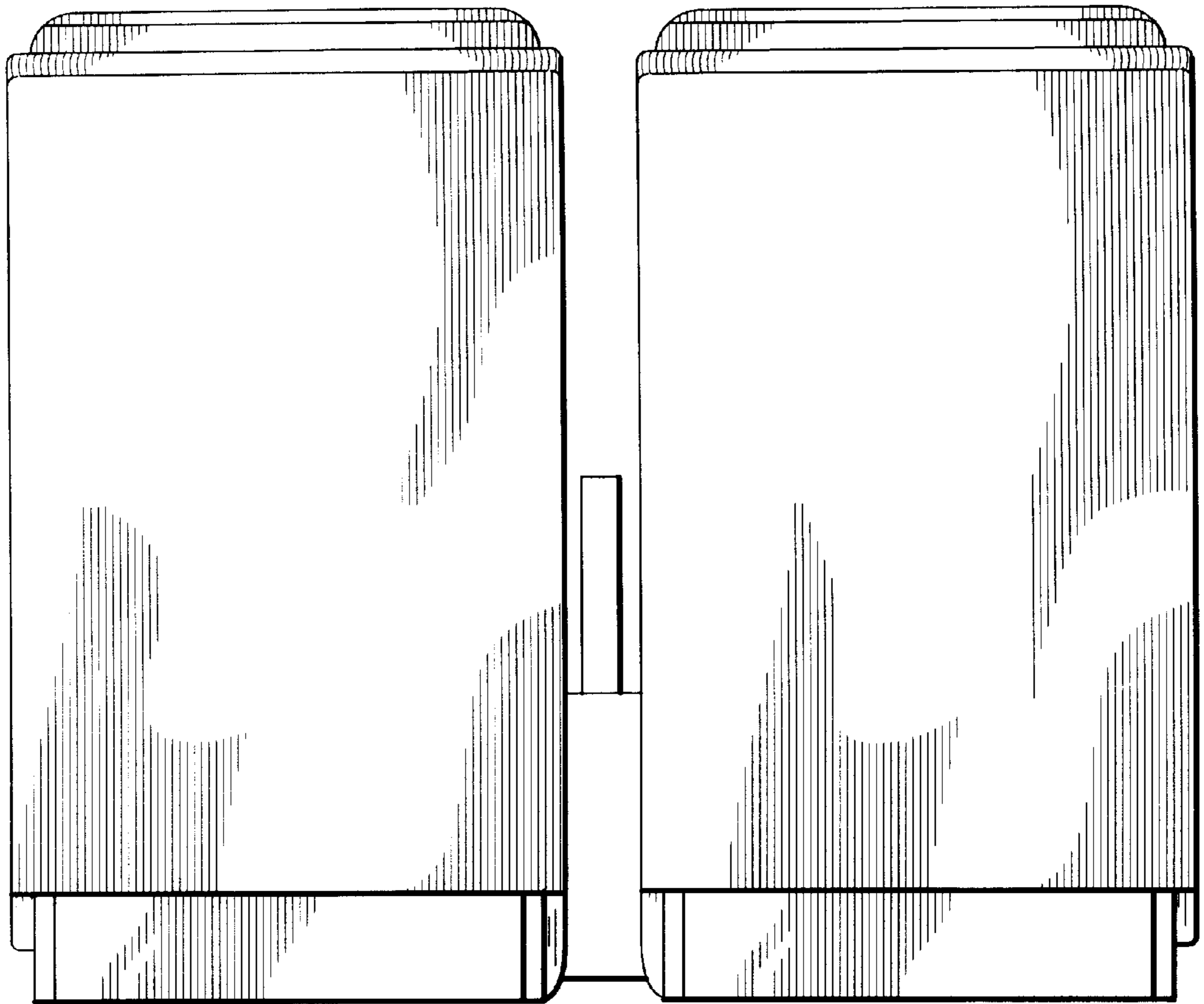


Fig. 5

Fig. 6

