



US00D443986S

(12) **United States Design Patent**
Marino

(10) **Patent No.:** **US D443,986 S**

(45) **Date of Patent:** **** Jun. 26, 2001**

(54) **PAINT ROLLER**

(75) Inventor: **Frank Marino**, Baldwin, NY (US)

(73) Assignee: **Arroworthy, LLC**, Brooklyn, NY (US)

(**) Term: **14 Years**

(21) Appl. No.: **29/101,310**

(22) Filed: **Feb. 26, 1999**

(51) **LOC (7) Cl.** **08-05**

(52) **U.S. Cl.** **D4/122**

(58) **Field of Search** D4/122, 138, 199;
15/27, 143.1, 230.11; 492/13, 16, 17, 19,
29

(56) **References Cited**

U.S. PATENT DOCUMENTS

D. 340,357	*	10/1993	Krinke	D4/138
2,935,757	*	5/1960	Phillips	15/230.11
3,130,435	*	4/1964	Smith	15/230.11
4,000,537	*	1/1977	Woo	15/230.11

FOREIGN PATENT DOCUMENTS

1579501 * 8/1969 (FR) .

* cited by examiner

Primary Examiner—Alan P. Douglas

Assistant Examiner—Lavone Tabor

(74) *Attorney, Agent, or Firm*—Collen Law Associates P.C.; Robert M. McDermott

(57) **CLAIM**

The ornamental design for a paint roller, as shown and described.

DESCRIPTION

FIG. 1 is a front view of my new and ornamental design for a paint roller, shown with tilted roller heads;

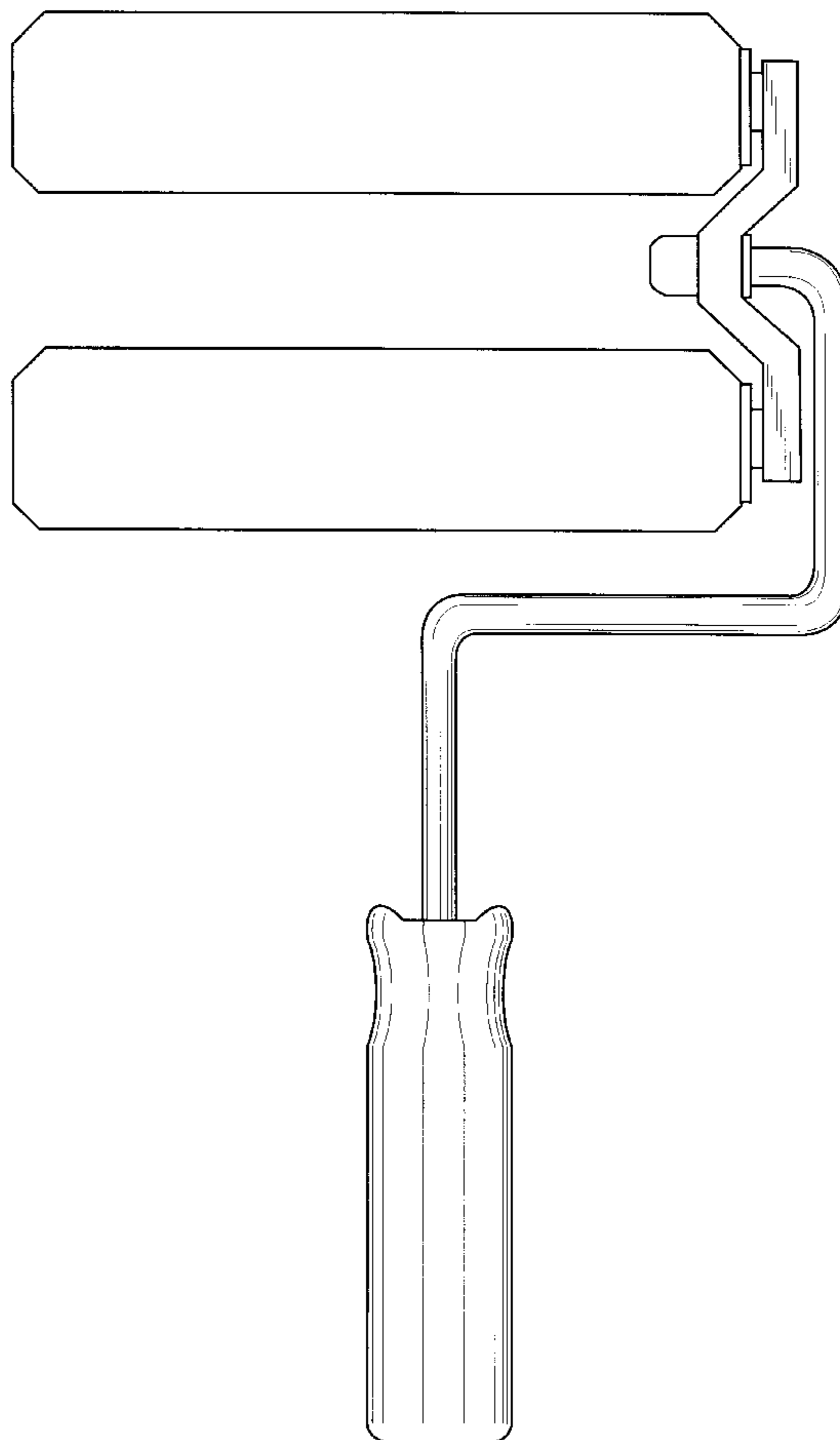
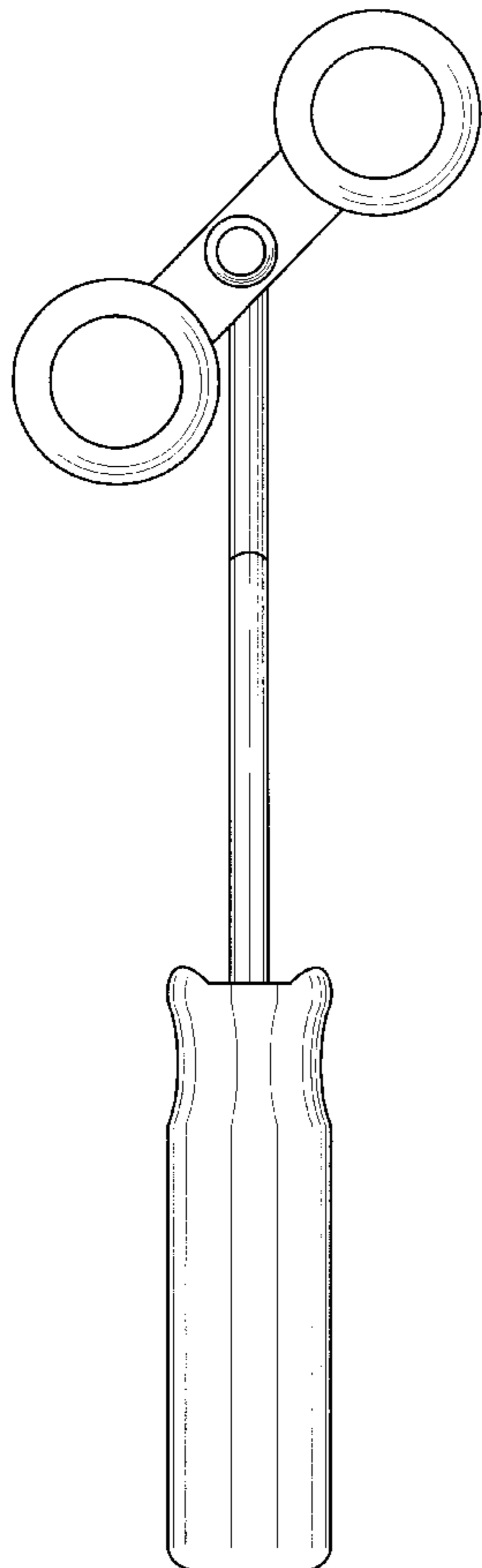
FIG. 2 is a left side view, shown with the roller heads in a vertical, non-tilted position;

FIG. 3 is a right side view, also shown with the roller heads in a vertical, non-tilted position; and,

FIG. 4 is a fragmentary, front perspective view of FIG. 2, with the roller heads being omitted for clarity of illustration only.

The rear, top, and bottom, of the article neither shown in the drawing nor described in the specification form no part of the claimed design.

1 Claim, 4 Drawing Sheets



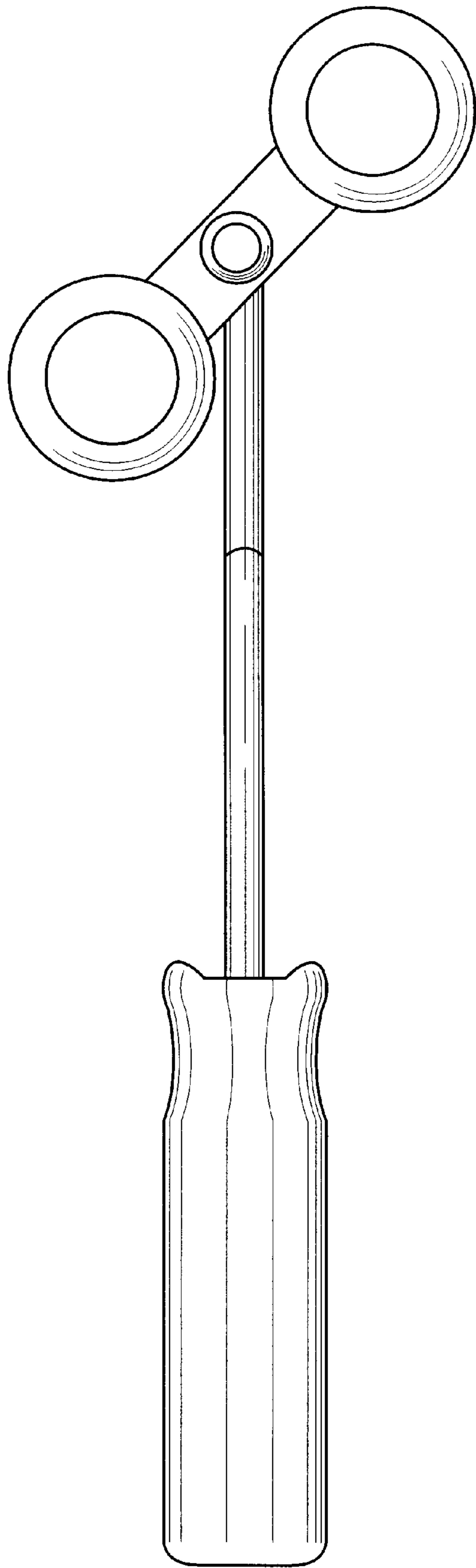


Fig. 1

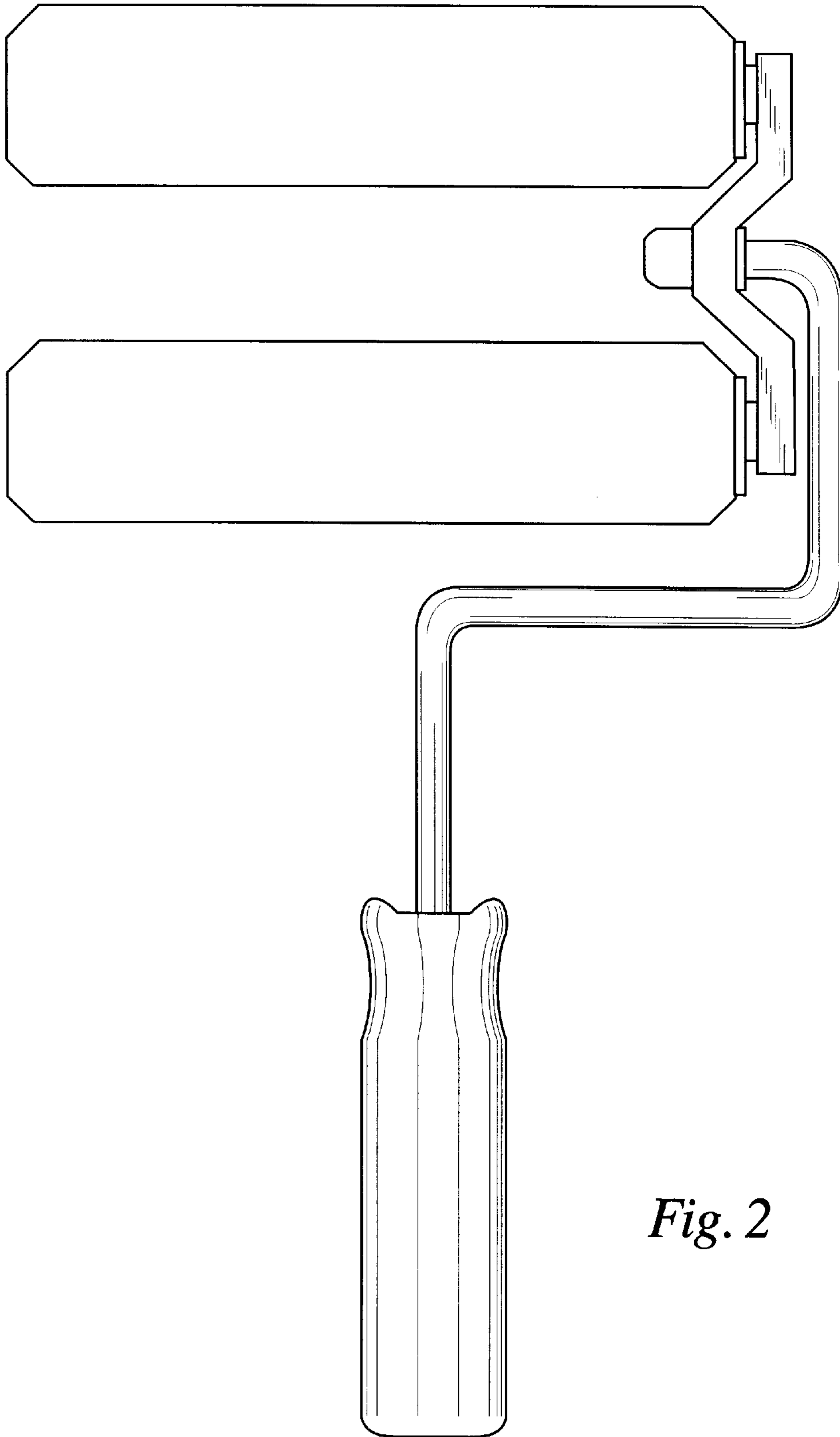


Fig. 2

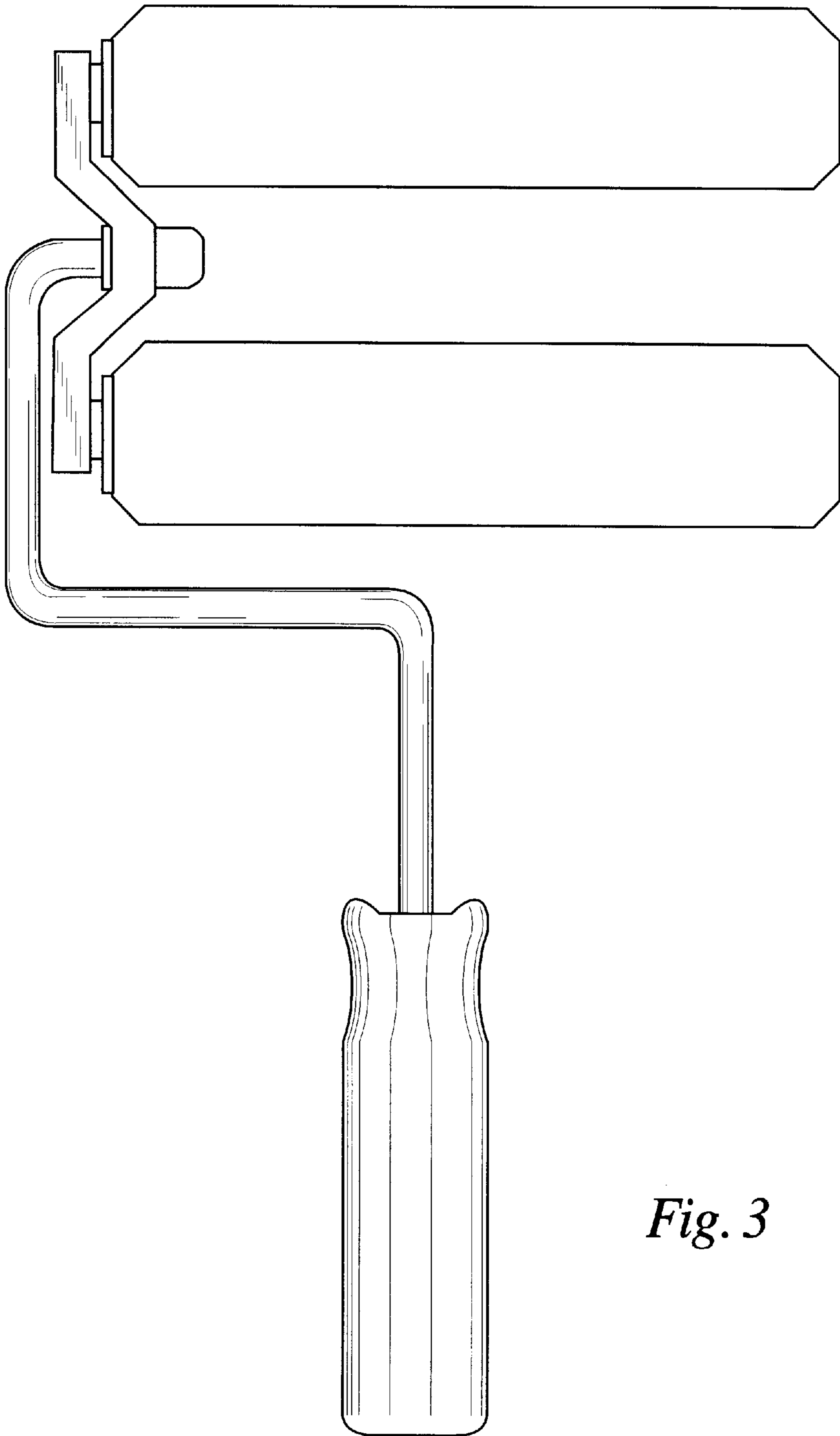


Fig. 3

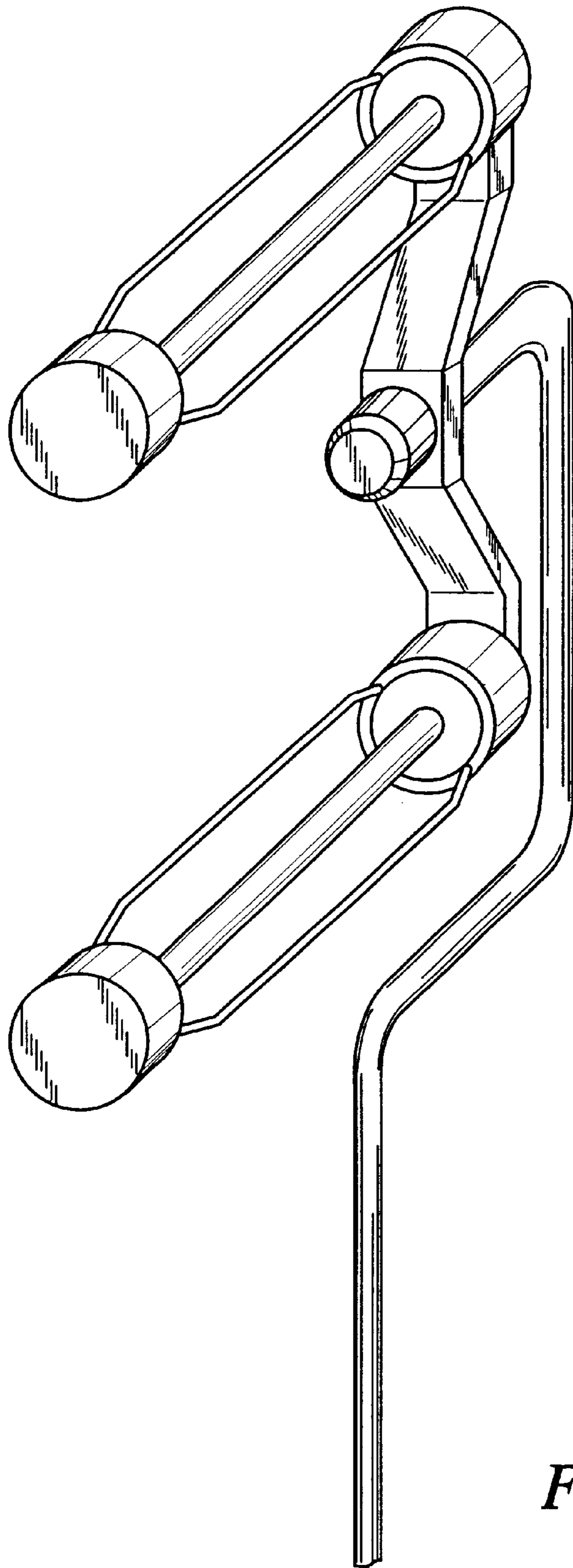


Fig. 4