



US00D443985S

(12) **United States Design Patent**
Beals et al.

(10) **Patent No.: US D443,985 S**

(45) **Date of Patent: ** *Jun. 26, 2001**

(54) **SET OF BRISTLES FOR A TOOTHBRUSH**

(75) Inventors: **Donna Beals**, Sunnyville; **Maisie Wong-Paredes**, Redwood Shores; **Edgardo Gotangco Zapanta**, San Bruno, all of CA (US)

(73) Assignee: **Gillette Canada Company**, Halifax (CA)

(*) Notice: This patent is subject to a terminal disclaimer.

(**) Term: **14 Years**

(21) Appl. No.: **29/099,628**

(22) Filed: **Jan. 25, 1999**
(Under 37 CFR 1.47)

Related U.S. Application Data

(63) Continuation-in-part of application No. 08/968,293, filed on Nov. 12, 1997, now abandoned.

(51) **LOC (7) Cl.** **04-02**

(52) **U.S. Cl.** **D4/104**

(58) **Field of Search** D4/101, 104-112, D4/130, 132-134, 136; 15/110, 159.1, 167.1, 167.2, 188, 207.2, DIG. 5, DIG. 6; 132/308; 601/139, 141, 142

(56) **References Cited**

U.S. PATENT DOCUMENTS

Re. 19,006	11/1933	Graves	15/167.1	X
D. 187,976	* 5/1960	Farber	D4/112	
D. 289,703	5/1987	Yaffe	D4/104	
D. 329,946	10/1992	Curtis et al.	D4/104	
D. 329,947	10/1992	Curtis et al.	D4/104	
D. 330,286	10/1992	Curtis et al.	D4/104	

(List continued on next page.)

FOREIGN PATENT DOCUMENTS

454913 3/1949 (CA) 15/167.1

324623	10/1957	(CH)	15/167.1
919 224	10/1954	(DE)	15/167.1
683311	6/1930	(FR)	15/167.1
2331981	6/1977	(FR)	.
946283	1/1964	(GB)	.
8500178	8/1986	(NL)	.
WO 94/09678	5/1994	(WO)	.
WO95/06420	* 3/1995	(WO)	.

OTHER PUBLICATIONS

Pending U.S. application No. 08/968,293, title: Toothbrush, filed Nov. 12, 1997.

Primary Examiner—Robin V. Taylor

Assistant Examiner—Lavone Tabor

(74) *Attorney, Agent, or Firm*—David A. Howley

(57) **CLAIM**

The ornamental design for a set of bristles for a toothbrush, as shown and described.

DESCRIPTION

This application is related to pending U.S. patent applications Ser. No. 29/083,432 filed on Feb. 9, 1998, Ser. No. 29/080,433 filed Feb. 9, 1998, and Ser. No. 29/083,434 filed on Feb. 9, 1998.

FIG. 1 is perspective view as seen from the top, front and right side of a set of bristles for a toothbrush showing our new design (unclaimed environmental structure being shown in broken lines);

FIG. 2 is a top plan view thereof (unclaimed environmental structure being shown in broken lines);

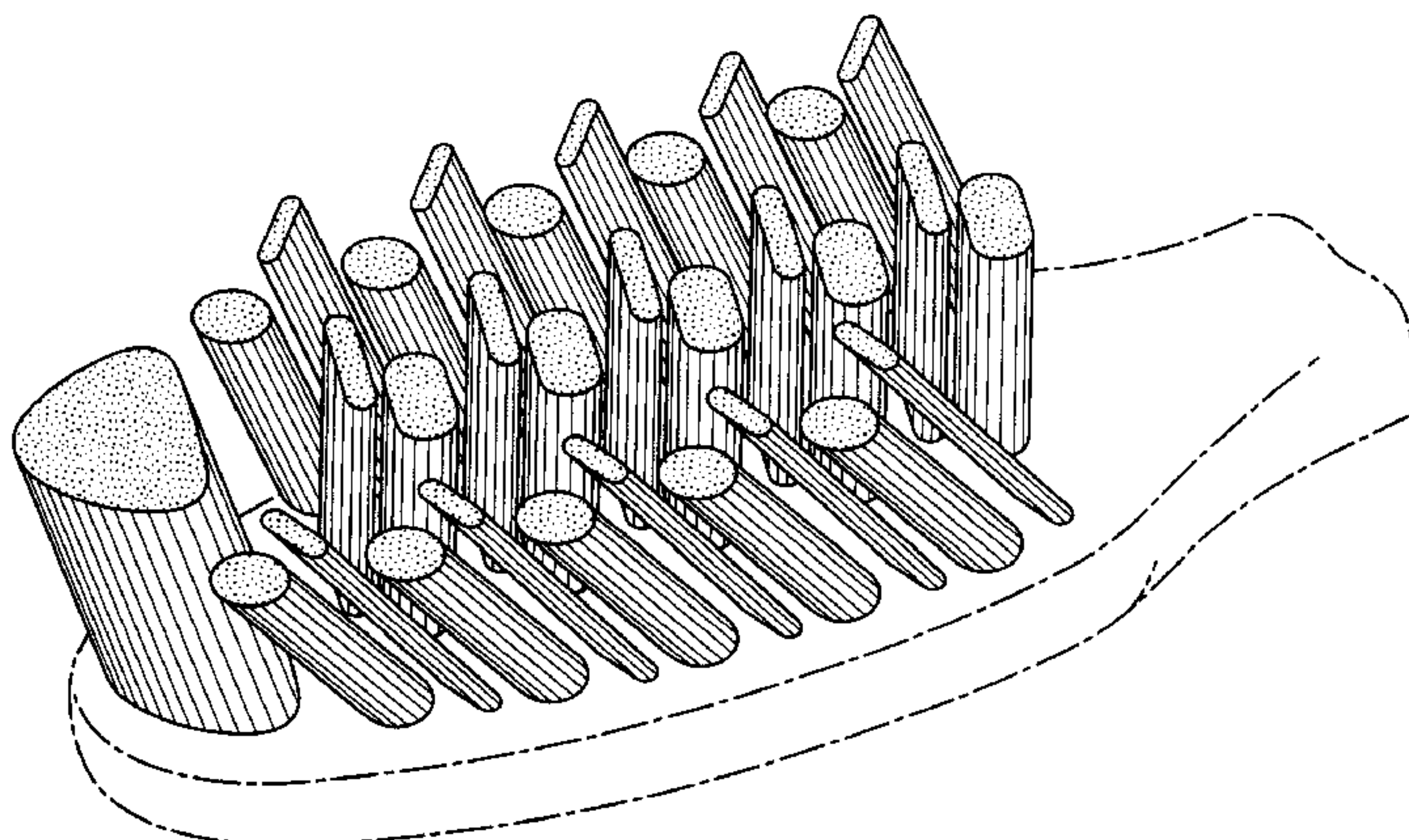
FIG. 3 is a front elevational view thereof (unclaimed environmental structure being shown in broken lines);

FIG. 4 is a right side elevational view thereof where the left side view is a mirror image (unclaimed environmental structure being shown in broken lines); and,

FIG. 5 is a rear elevational view thereof (unclaimed environmental structure being shown in broken lines).

The broken lines showing the toothbrush head and neck structure are for illustrative purposes only and form no part of the claimed design.

1 Claim, 2 Drawing Sheets



US D443,985 S

Page 2

U.S. PATENT DOCUMENTS

335,345	2/1886	Estabrook	15/167.1	3,375,820	4/1968	Kuris et al.	601/142
D. 349,605	8/1994	Schneider et al.	D4/104	3,378,870	4/1968	Matsunaga	15/104.94
D. 358,032	5/1995	Schneider et al.	D4/104	3,624,667	11/1971	Muhler	15/167.1
D. 358,486	5/1995	Loew	D4/104	4,010,509	3/1977	Huish	15/167.1
D. 363,373	10/1995	Heinzelman et al.	D4/104	4,081,876	4/1978	Pugh	15/167.1
D. 365,209	12/1995	Plummer	D4/104	4,646,381	3/1987	Weihrauch	15/167.1
D. 368,804	4/1996	Yost et al.	D4/104	4,706,322	11/1987	Nicolas	15/106
D. 370,347 *	6/1996	Heinzelman et al.	D4/104	4,776,054	10/1988	Rauch	15/167.1
D. 370,564	6/1996	Moskovich	D4/104	4,802,255	2/1989	Breuer et al.	15/207.2
D. 372,584	8/1996	Yost et al.	D4/104	5,046,213	9/1991	Curtis et al.	15/167.1
D. 373,681	9/1996	Yost et al.	D4/104	5,325,560	7/1994	Pavone et al.	15/106
D. 374,122	10/1996	Yost et al.	D4/104	5,392,483	2/1995	Heinzelman et al.	15/167.1
D. 374,350	10/1996	Yost et al.	D4/104	5,398,368	3/1995	Elder	15/167.1
D. 374,775	10/1996	Yost et al.	D4/104	5,446,940	9/1995	Curtis et al.	15/167.1
D. 391,083 *	2/1998	Nicoll	D4/104	5,459,899 *	10/1995	Bauer	15/167.1
D. 402,116 *	12/1998	Magloff et al.	D4/104	5,622,502	4/1997	Wilkes et al.	433/216
669,402	3/1901	Röse	15/167.1	5,628,082	5/1997	Moskovich	15/110
1,018,927	2/1912	Sarrazin	15/167.1	5,735,298	4/1998	Mayne et al.	132/309
1,753,290	4/1930	Graves	15/167.1 X	5,742,972	4/1998	Bredall et al.	15/167.1
2,242,743	5/1941	Brown	15/167.1	5,802,656 *	9/1998	Dawson et al.	15/110
3,085,273	4/1963	Cowan	15/167.1				

* cited by examiner

FIG. 1

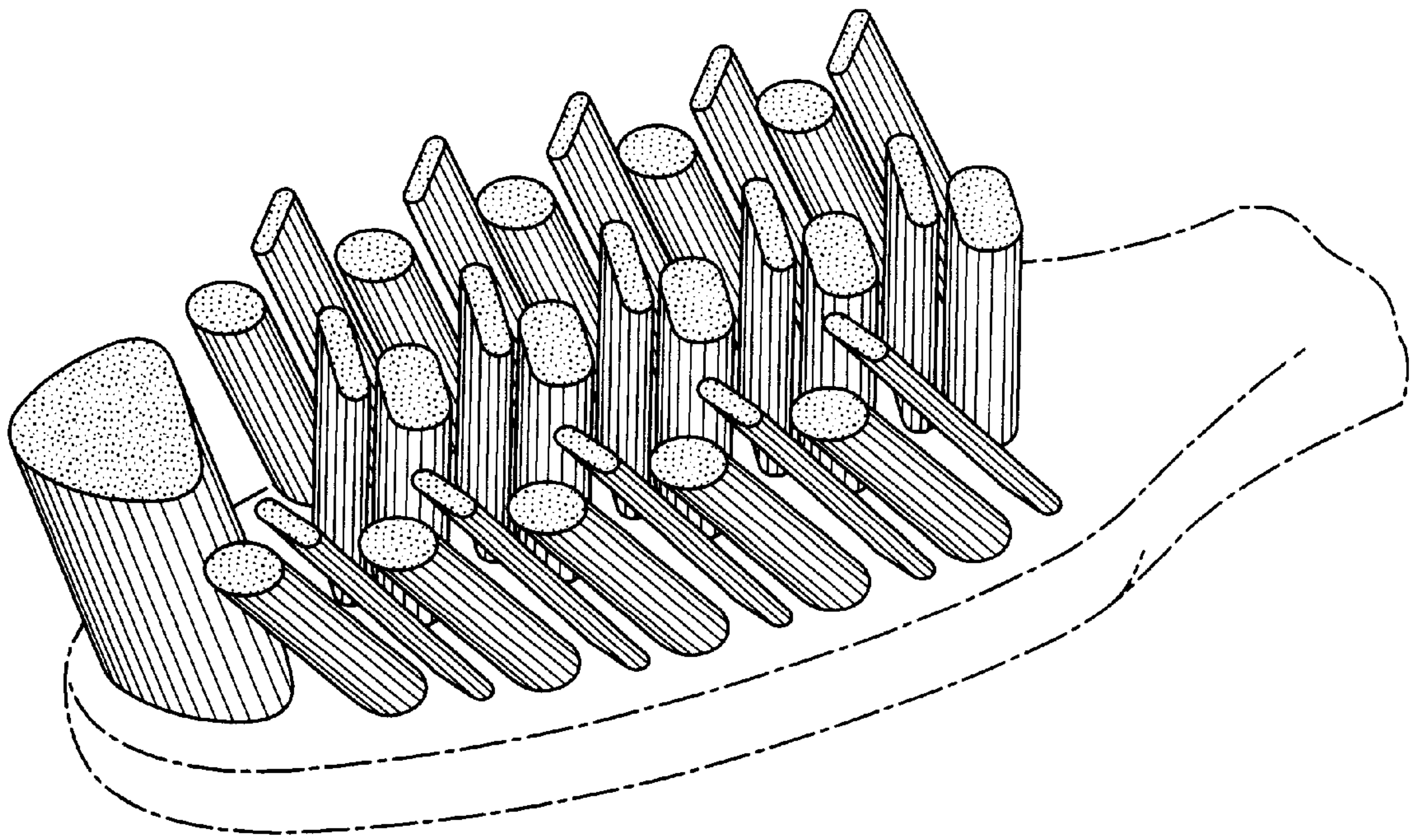


FIG. 2

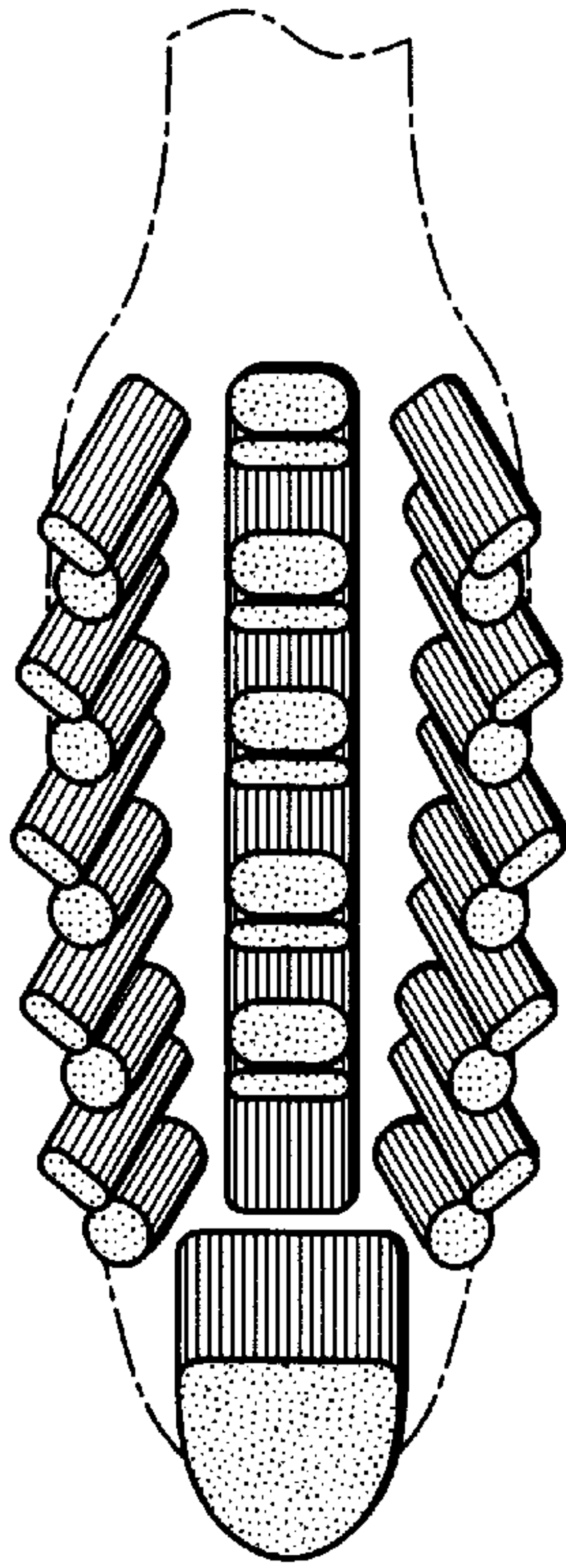


FIG. 3

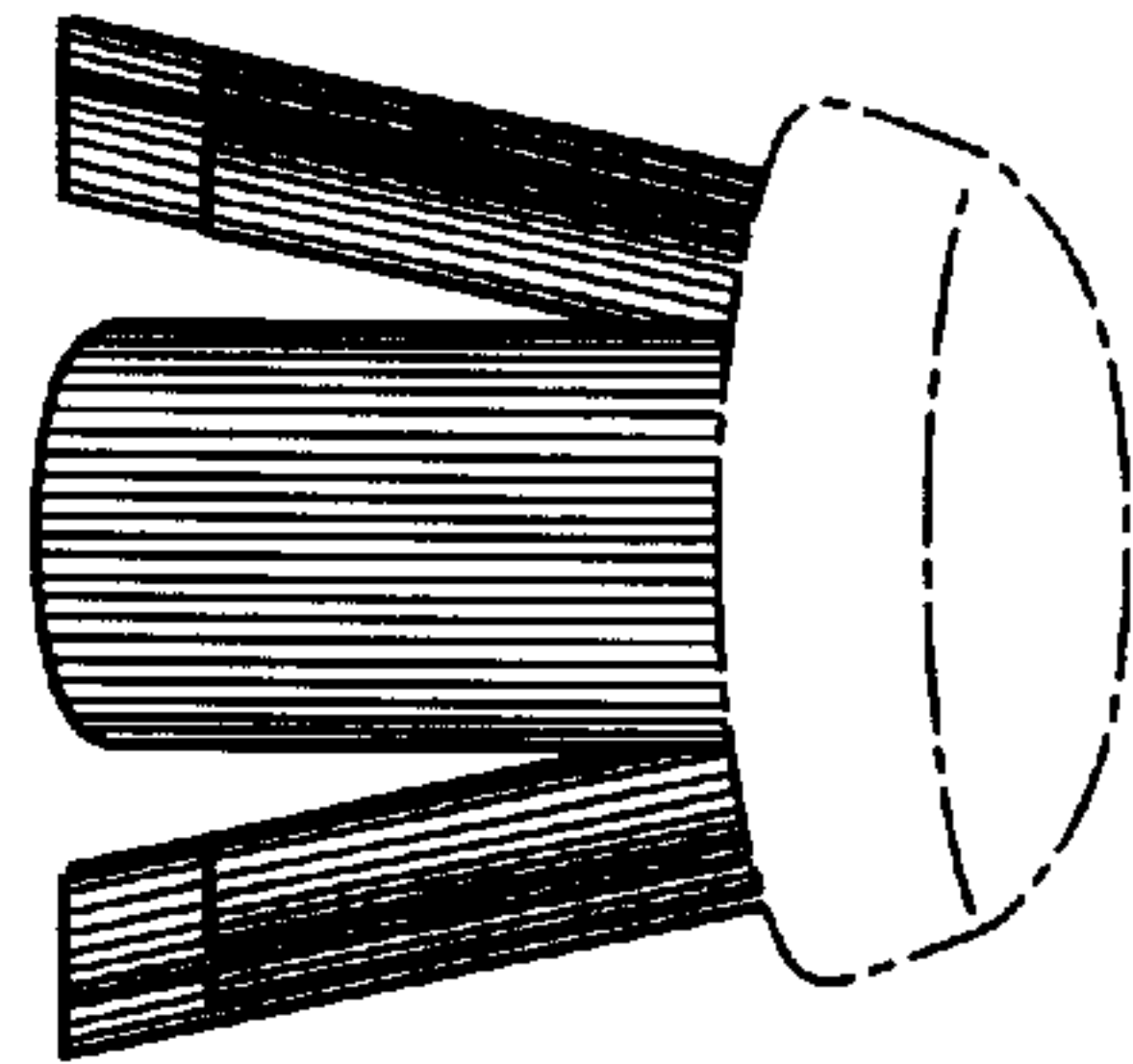


FIG. 4

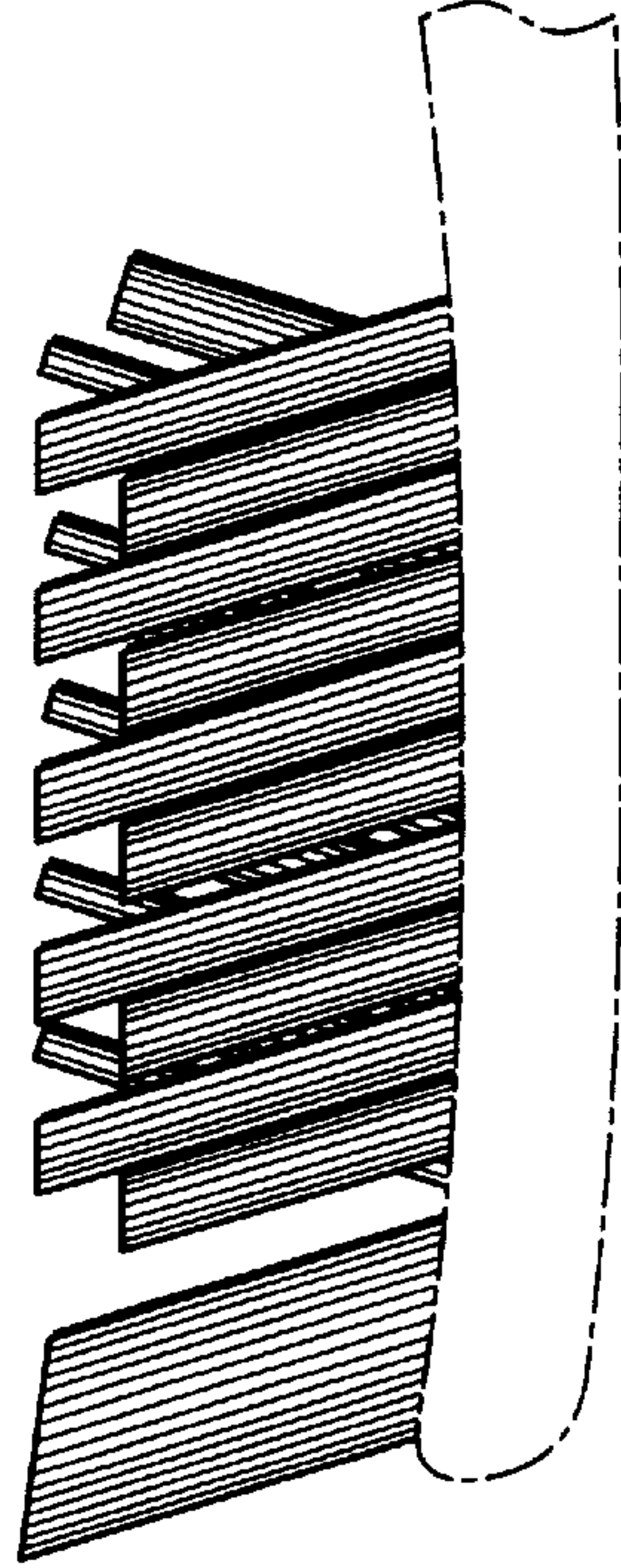


FIG. 5

